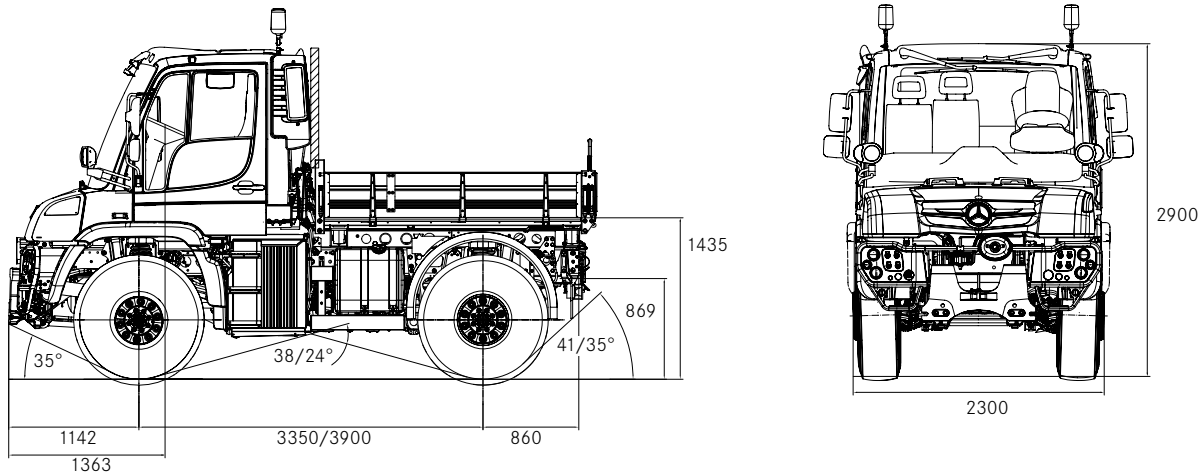




Mercedes-Benz  
Trucks you can trust

# Technical data

## Mercedes-Benz Special Trucks Unimog U 530



Model	U 530 Short	U 530 Long
Model type	405.202	405.222
Wheelbase	3350 mm	3900 mm
Engine (Euro VI)	OM 936	OM 936
Output kW/hp	220/299	220/299
Torque Nm/rpm	1200/1200-1600	1200/1200-1600
Clutch	Single-plate dry clutch. SAE-2 Ø 395 mm press-formed	
Transmission	UG 100/8 with integrated transfer case	
Axles	Link-located portal axles with coil springs	
Front axle	AU 6/1 CS 7.5	AU 6/1 CS 7.5
Rear axle	HU 6/1 CS 9.5	HU 6/1 CS 9.5
Electrical system	24 V	24 V
Battery capacity	140 Ah	140 Ah
Tank capacity (fuel tank) (Series/SA)	200 l/250 l	200 l/250 l
Tank capacity (AdBlue)	25 l	25 l
Steering with max. steering pressure	ZF 8098/170 bar	ZF 8098/170 bar
Brakes	Pneumatic disc brakes	
Smallest tyres (tyre/rim)	365/85 R20	365/85 R20
Largest tyres (tyre/rim)	495/70 R24	495/70 R24
Type of drive (permanent all-wheel drive)	4x4	4x4
Maximum weight (max. with corresponding optional extras)	16.5 t	16.5 t
Max. weight on front axle	7.5 t	7.5 t
Max. weight on rear axle	9.5 t	9.5 t
Angle of approach at the front with large tyres	35°	35°
Turning circle	15.1 m	16.9 m
Minimum vehicle dimensions: length × width × height	5440 × 2300 × 2900 mm	6215 × 2300 × 2900 mm
Inside dimensions dumper body	2650 × 2200 × 400 mm	3430 × 2200 × 400 mm
Speed	89 km/h*	89 km/h*

\* Limited, legal speed limit