

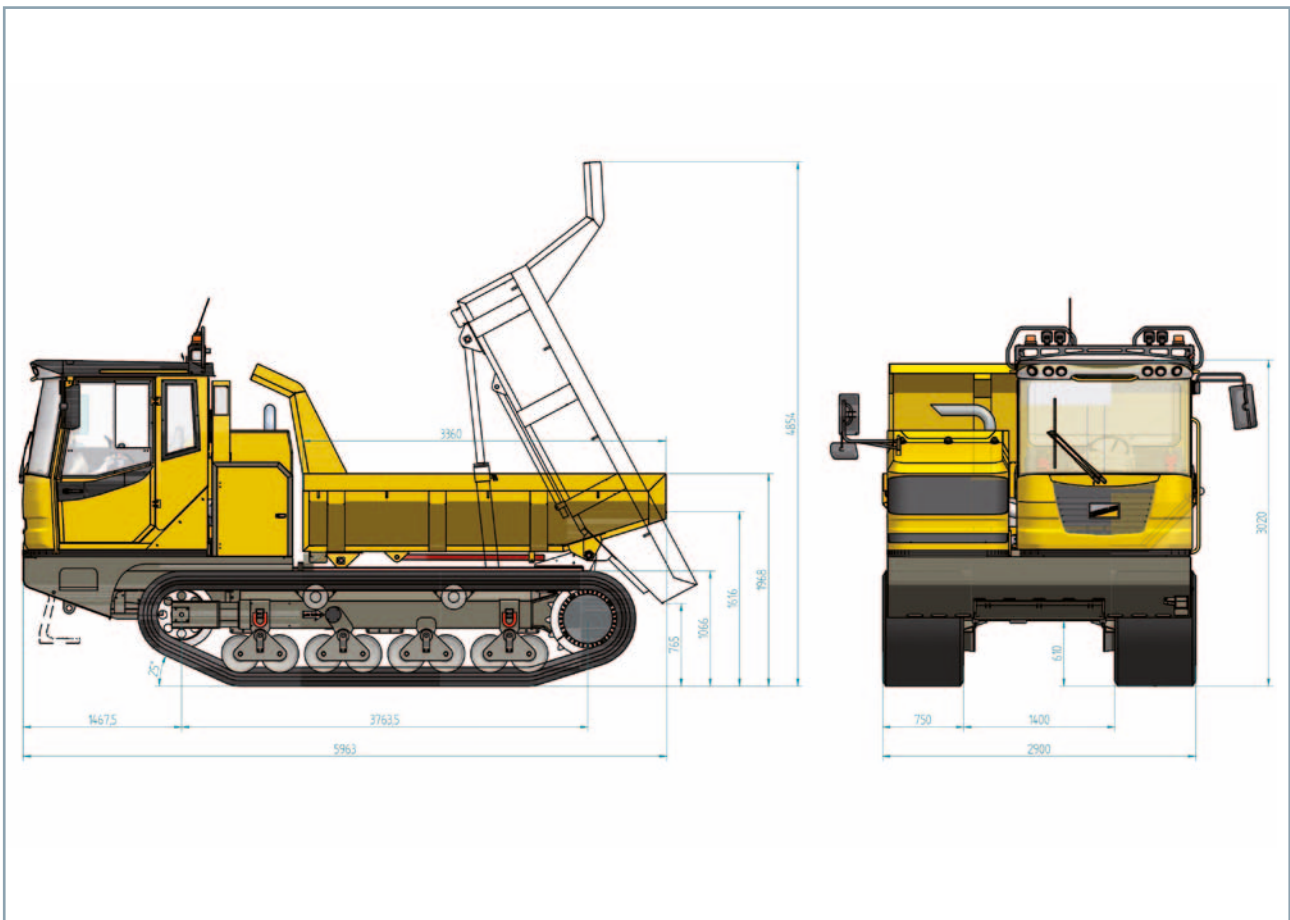
Bergmann Dumper 4010 HK



Wheel dumper | cab
Rear Tip



- High stability thanks to low center of gravity
- Comfortable cab
- Inside oil bath multi disc brake
- Low ground pressure
- High traction



4010 HK

Technical Data



Wheel dumper | cab
Rear Tip

Weight/Bucket Capacity

payload	10.000 kg
empty weight	14.250 kg
loading capacity struck	4,7 m ³
loading capacity heaped	6,5 m ³
bucket system	rear tip

Dimensions

clearance height	3.020 mm
tipping height	765 mm
loading height (front)	1.968 mm
total length	5.963 mm
total width	2.900 mm
ground clearance	610 mm

Transmission

hydrostatic drive with planetary transmission

Speed

speed I	0–8 km/h
speed II	0–15 km/h

Steering

steering wheel or joystick

Brake System

inside oilbath multi disc brake

Engine

6 cylinder Cummins diesel engine QSB 6.7 – water cooled –
power 180 kW with 2.200 rpm

Width of Tracks

750 mm

Ground Pressure

0,46 kg/cm²

Bonnet

fast and easy accessibility to all service points thanks to engine opening bonnet in two pieces

Tank Capacity

fuel	225 L
hydraulic oil	180 L

Electrics

24 V electric system with main switch, error detection mode, fuel and hour counter, control lamps for engine oil; park brake, direction indicator, battery charging control, hydraulic filter, display for drive position

Standard Equipment

comfortable cab with air-suspended driver's seat, road traffic lighting system, bucket from wear-resistant fine-grain steel, beacon light, cigarette lighter, sun roller blind for front windscreen, device for radio, loudspeaker and antenna, CE certificate, manual and spare parts list

