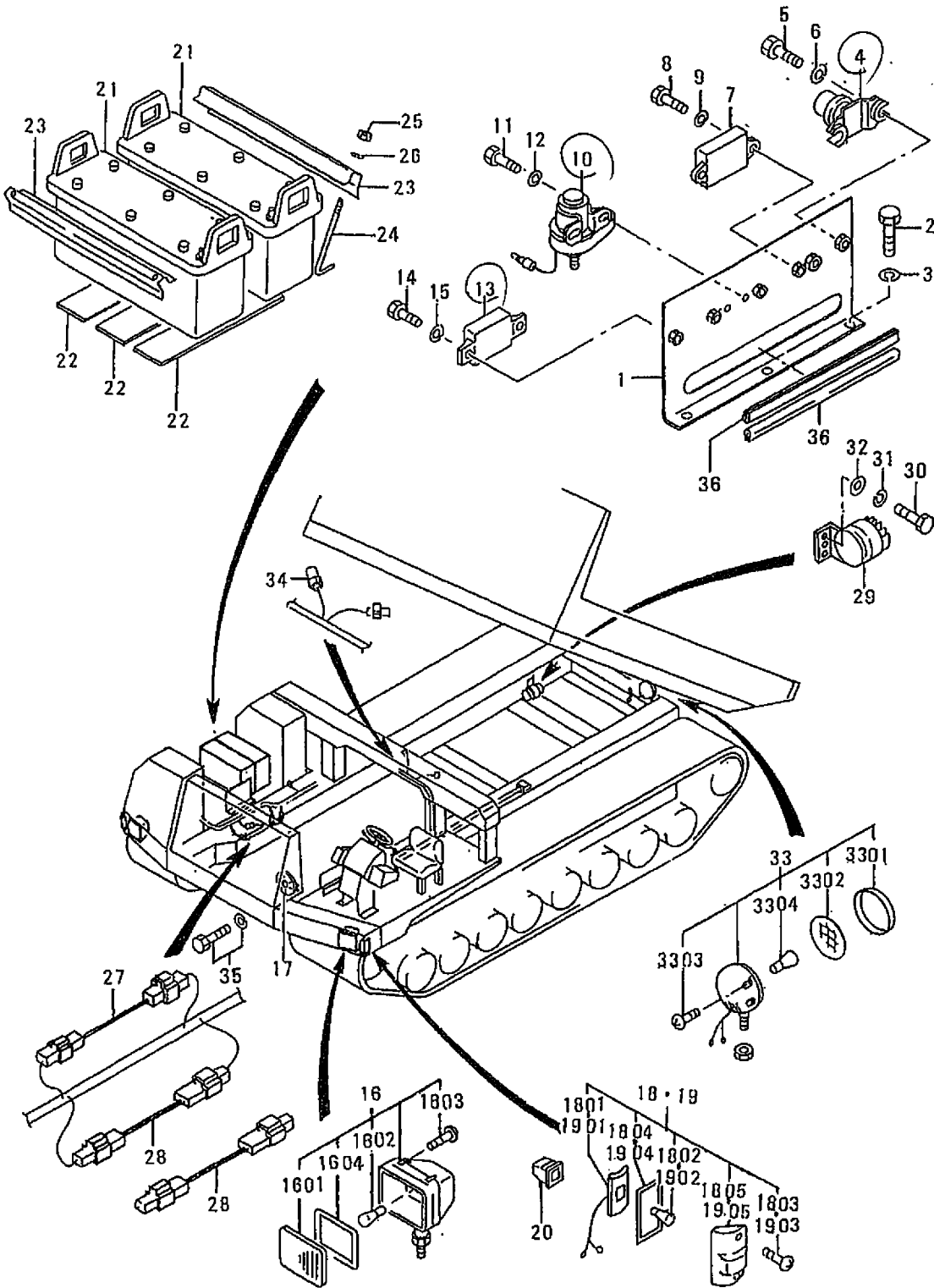


05-01 エレクトリック イクイプメント (ソノ 1)
ELECTRIC EQUIPMENT (PART-1)

12-



9-00

50C0509

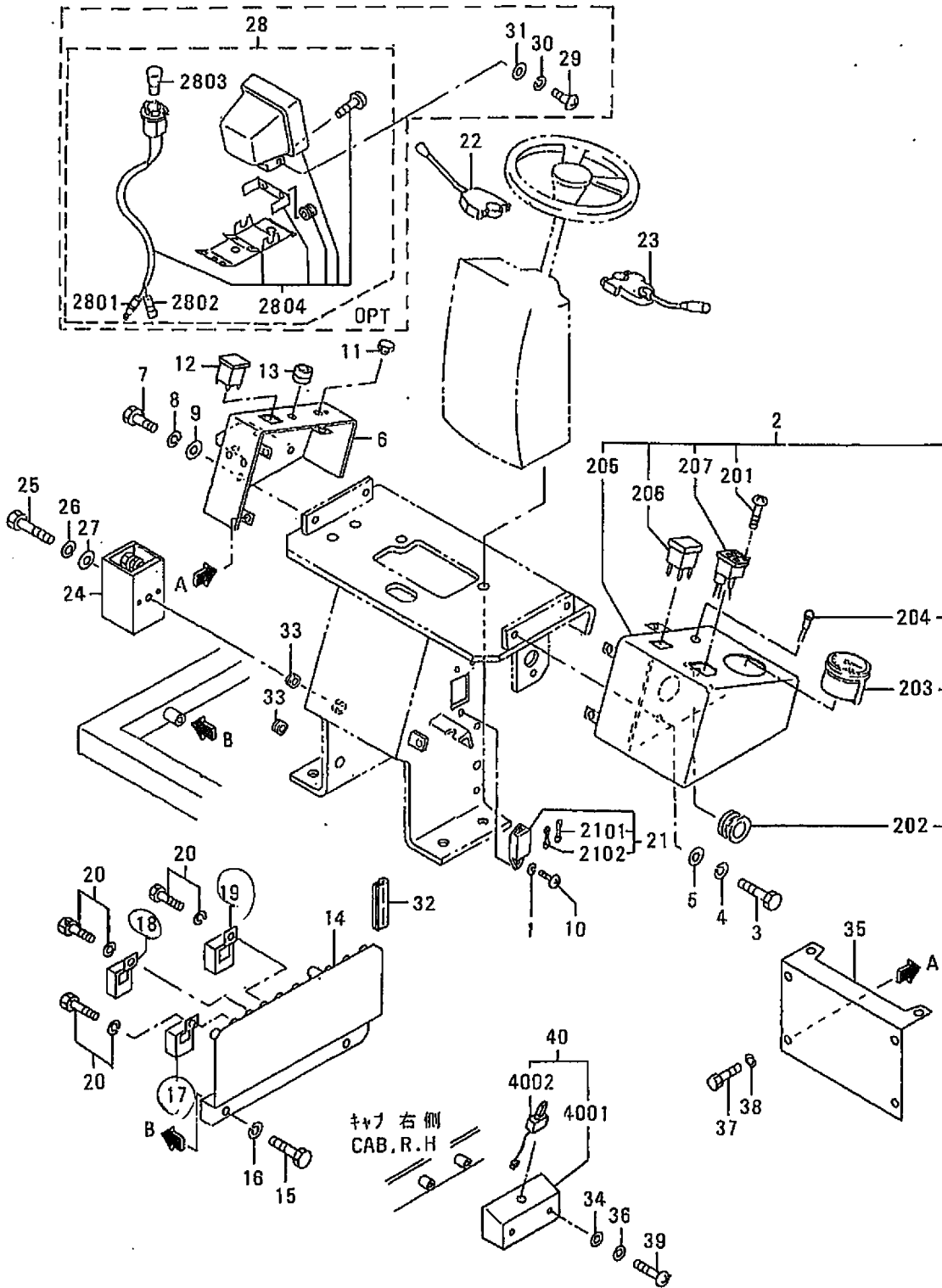
05-01 エレクトリック エキブメント (ソノ 1)
ELECTRIC EQUIPMENT (PART-1)

- 13 -

見出番号 REF. NO.	部品番号 PART NO.	部品名称 および 記事・仕様記号 PART NAME & DESCRIPTION	個数 QTY	型式と適用号機 MODEL & APPLICABLE SERIAL NO.			
				1000C			
				FROM@-	-@UPTO	FROM@-	-@UPTO
1	50C05-10401	PANEL, BATTERY RELAY	1				
2	F1035-10020	BOLT	3				
3	F2515-10000	WASHER, SPRING	3				
4	30890-03201	RELAY	1				
5	F1035-08025	BOLT	2				
6	F2515-08000	WASHER, SPRING	2				
7	16A11-07000	TIMER, ENGINE STOP	1				
8	F1035-06014	BOLT	2				
9	F2515-06000	WASHER, SPRING	2				
10	ME067624	RELAY, HEATER	1				
11	F1035-06012	BOLT	2				
12	F2515-06000	WASHER, SPRING	2				
13	ME049233	RELAY, SAFETY	1				
14	F1035-06014	BOLT	2				
15	F2515-06000	WASHER, SPRING	2				
16	05101-09200	LAMP ASSY, HEAD	2				
1601	05101-09300	LENS	2				
1602	05142-01900	BULB	2		24V-70W		
1603	F2600-05025	SCREW, TAPPING	8				
1604	05101-09400	GASKET	2				
17	91304-05200	BUZZER, BACK PIEZO	1				
18	MB556314	LAMP, TURN SIGNAL L.H	1				
1801	MB556282	SOCKET	1				
1802	MS820039	BULB	1		24V-21/5W		
1803	MS450970	SCREW, TAPPING	2				
1804	MB302268	GASKET	1				
1805	MB302264	LENS	1				
19	MB556315	LAMP, TURN SIGNAL R.H	1				
1901	MB556283	SOCKET	1				
1902	MS820039	BULB	1		24V-21/5W		
1903	MS450970	SCREW, TAPPING	2				
1904	MB302268	GASKET	1				
1905	MB302265	LENS	1				
20	MU480002	GROMMET, SCREW	4				
21	05131-03000	BATTERY	2		115F51		
22	55304-03500	SHEET	3				
23	62605-00800	SUPPORT	2				
24	66305-00500	ROD, BATTERY CLAMP	4				
25	F2300-08000	NUT	4				
26	F2515-08000	WASHER, SPRING	4				
27	91204-16500	LINK	1				
28	92704-06900	FUSIBLE LINK 1.25	2				
29	05151-04300	HORN	1				
30	F1035-08014	BOLT	1				
31	F2515-08000	WASHER, SPRING	1				
32	F2500-08000	WASHER, PLAIN	1				
33	05101-07400	LAMP ASSY	1				
3301	05101-04100	PACKING	1				
3302	05101-04000	LENS	1				
3303	F2600-04012	SCREW, TAPPING	4				

05-02 エレクトリック イクイプメント (ソノ 2)
ELECTRIC EQUIPMENT (PART-2)

- 16 -



05-02 エレクトリック イクイプメント (ソノ 2)
ELECTRIC EQUIPMENT (PART-2)

- 17 -

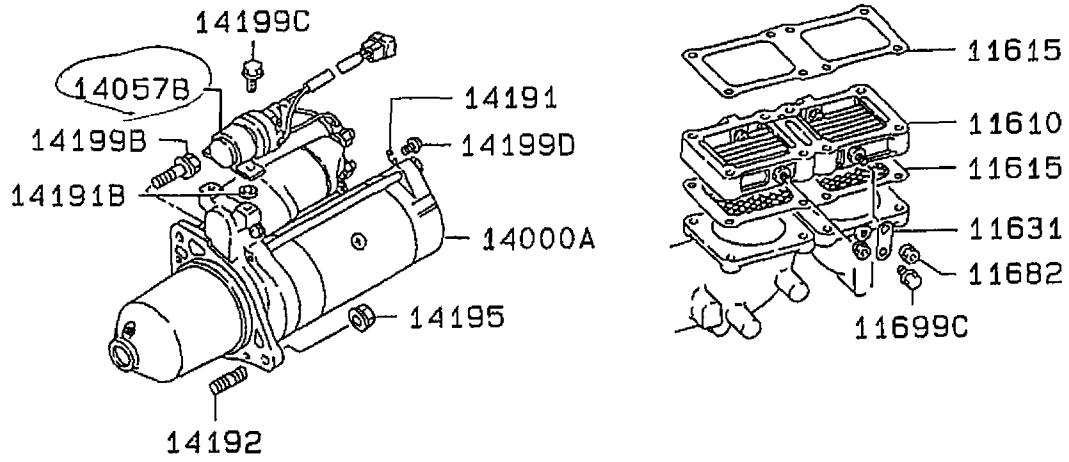
見出 番号 REF. -NO.	部品番号 PART NO.	部品名称 および 記事・仕様記号 PART NAME & DESCRIPTION	個 数 QTY	型式と MODEL & APPLICABLE 適用号機 SERIAL NO.				新 規 M/R RD
				1000C				
				FROM@-	-@UPTO	FROM@-	-@UPTO	
1	F2516-06000	WASHER, SPRING	2					A
2	50C05-01020	PANEL ASSY, SUB	1					A
201	F1610-04016	SCREW, MACHINE	2					A
202	MH022342	GROMMET	1					A
203	04504-26500	METER, TACHO	1					A
204	05371-11100	GROMMET	1					A
205	50B05-40100	PANEL	1					A
206	60305-00900	SWITCH, BATTERY	1					A
207	66305-00040	PILOT	1					A
3	F1035-08016	BOLT	2					A
4	F2515-08000	WASHER, SPRING	2					A
5	F2500-08000	WASHER, PLAIN	2					A
6	50C05-30600	PANEL	1					A
7	F1035-08016	BOLT	2					A
8	F2515-08000	WASHER, SPRING	2					A
9	F2500-08000	WASHER, PLAIN	2					A
10	F1605-06020	SCREW, MACHINE	2					A
11	60305-03400	PLUG	1					A
12	50C05-01800	SWITCH, PARKING	1					A
13	05371-10500	GROMMET	1					A
14	50C05-00701	BRACKET, RELAY	1					A
15	F1035-10016	BOLT	2					A
16	F2515-10000	WASHER, SPRING	2					A
17	05138-00600	RELAY	3					A
18	05138-00700	RELAY	1					A
19	05138-00800	RELAY	6					A
20	F1805-06012	BOLT, W/WASHER	10					A
21	05136-02203	BOX, FUSE	1					A
2101	05135-15002	FUSE	5					A
2102	05135-20002	FUSE	3					A
22	91205-02900	SWITCH, TURN SIGNAL	1					A
23	53804-00100	LEVER	1					A
24	MC840380	BOX, FUSE	1					A
25	F1035-08070	BOLT	1					A
26	F2515-08000	WASHER, SPRING	1					A
27	F2500-08000	WASHER, PLAIN	1					A
28	55304-00050	METER, INCLINO	1					A
2801	F8672-01040	TERMINAL	1					A
2802	F8672-31040	TERMINAL	1					A
2803	MH056029	BULB	1					A
2804	55304-06900	METER, INCLINO	1					A
29	F1605-05010	SCREW, MACHINE	2					A
30	F2516-05000	WASHER, SPRING	2					A
31	F2501-05000	WASHER, PLAIN	2					A
32	05382-08013	WEATHERSTRIP	1					A
33	MH022304	GROMMET	2					A
34	F2501-06000	WASHER, PLAIN	2					A
35	50C05-11700	COVER	1					A
36	F2516-06000	WASHER, SPRING	2					A
37	F1035-06010	BOLT	6					A

96-09-12

210119-00

16 -010 ^{スタータ} STARTER

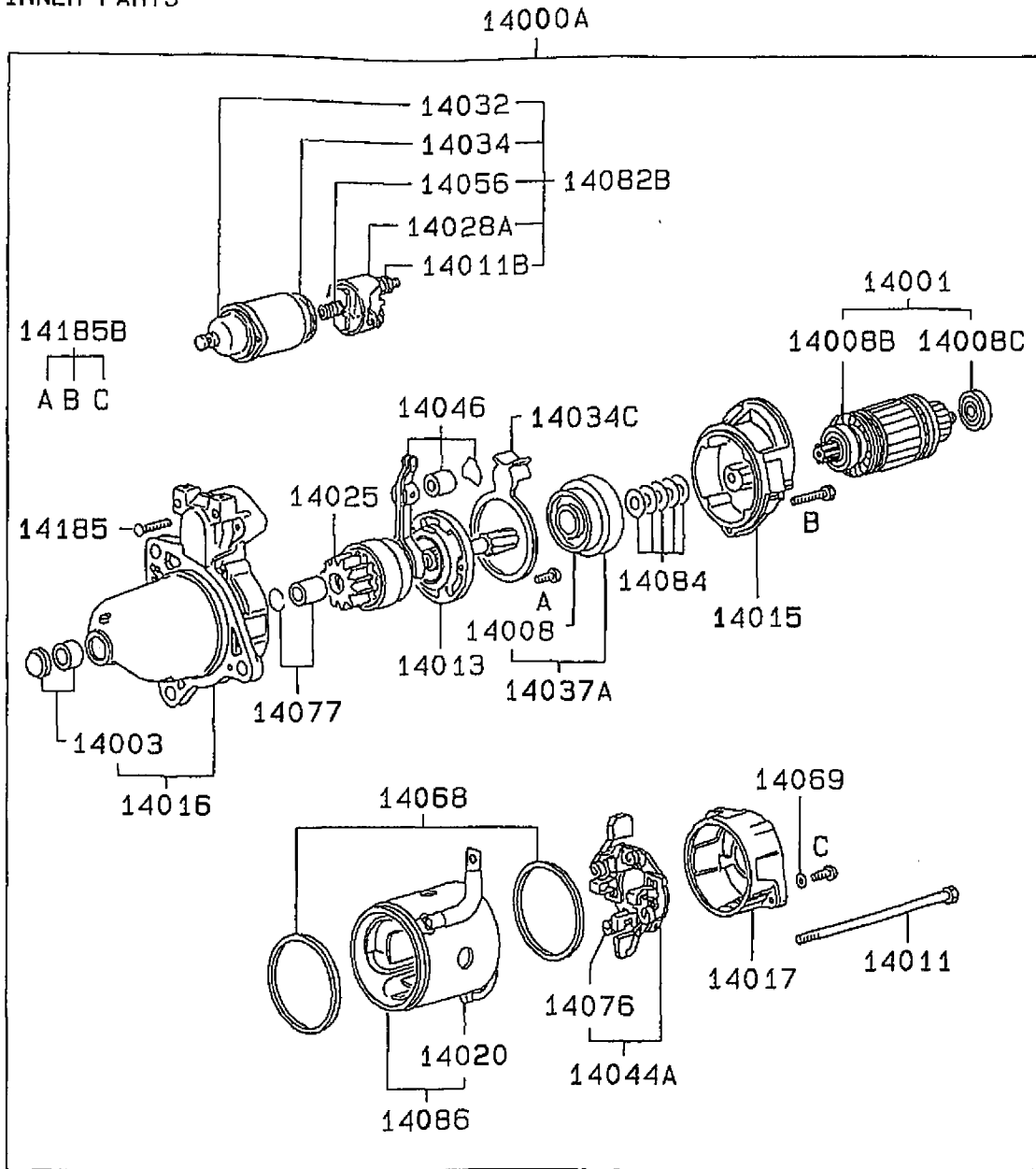
-82-



2T010J

16 -010 ^{スタ-タ} STARTER

INNER PARTS



2T510C

スタータ
16 -010 STARTER

-84-

01 6D240 CTJS03000

見出番号 REF.-NO.	部品番号 PART NO.	代 替 R / P 記 号 S C E N Q G	部品名称 および 記事・仕様記号 PART NAME & DESCRIPTION	型式・個数 MODEL & QTY				適用号機 APPLICABLE SERIAL NO.	管 区 M / R	新 規 V R D
				0	1			FROM@- : -@UPTO		
11610	ME067539		HEATER,INTAKE AIR	1				9609-3		
11615	ME150067		GASKET,INTAKE AIR HEATER	1				9609-3		
	ME150068		GASKET,INTAKE AIR HEATER W/NET	1				9609-3		
11631	ME057329		PLATE,INTAKE AIR HEATER CABLE EARTH	1				9609-3		
11682	MF434103		NUT,INTAKE SILENCER FLANGE,6	2				9609-3		
11699C	MF140020		BOLT,INTAKE AIR HEATER FLANGE,8X10	1				9609-3		
14000A	M003T95082		STARTER ASSY 24V-5.5KW	1				9609-3		
14001	M106X40471		ARMATURE KIT,STARTER	1				9609-3		
14003	M690X00171		BEARING & SLEEVE KIT,STARTER	1				9609-3		
14008	S930P28301		BEARING,STARTER ARMATURE	1				9609-3		
14008B	S930P12370		BEARING,STARTER ARMATURE	1				9609-3		
14008C	S930P28070		BEARING,STARTER ARMATURE	1				9609-3		
14011	M981X76071		BOLT SET,STARTER	1				9609-3		
14011B	M901X02671		BOLT SET,STARTER	1				9609-3		
14013	M646C71001		BRACKET,STARTER GEAR	1				9609-3		
14015	M646B22301		BRACKET,STARTER,CTR	1				9609-3		
14016	M841X71472		BRACKET,STARTER,FR	1				9609-3		
14017	M644B20701		BRACKET,STARTER,RR	1				9609-3		
14020	M648C27071		BRUSH,STARTER	2				9609-3		
14025	M191T66171		CLUTCH,STARTER OVERRUNNING	1				9609-3		
14028A	M232X14071		CAP ASSY,STARTER SWITCH	1				9609-3		
14032	M212D12801		COVER,STARTER MAGNETIC SWITCH	1				9609-3		
14034	M578D22601		GASKET,STARTER INR	1				9609-3		
14034C	M578C22201		GASKET,STARTER INR	1				9609-3		
14037A	M357X61571		GEAR ASSY,STARTER REDUCTION	1				9609-3		
14044A	M649T07371		HOLDER ASSY,STARTER BRUSH	1				9609-3		
14046	M863C06671		LEVER KIT,STARTER PINION SHIFT	1				9609-3		
14056	M314X02371		PLATE,STARTER SWITCH TO TERMINAL	1				9609-3		
14057B	ME049300		RELAY,STARTER SAFETY CONTROL	1				9609-3		
14068	A640T31170		GASKET SET,STARTER YOKE	1				9609-3		
14069	M816D00701		SEAL RING,STARTER	2				9609-3		
14076	M391C02201		SPRING,STARTER BRUSH	4				9609-3		
14077	M385X05271		STOPPER KIT,STARTER PINION	1				9609-3		
14082B	M371X21571		SWITCH KIT,STARTER MAGNETIC	1				9609-3		
14084	M900X02071		WASHER SET,STARTER GEAR SHAFT	1				9609-3		
14086	M800T44671		YOKE,STARTER	1				9609-3		
14185	M986C10102		SCREW,STARTER INR	2				9609-3		
14185B	A414X06671		SCREW,STARTER INR	1				9609-3		
14191	F251505000		WASHER,STARTER SPRING,5	1				9609-3		
14191B	MH005003		WASHER,STARTER PLAIN,9	2				9609-3		
14192	F145012035		STUD,STARTER 12X35	1				9609-3		
14195	MF434106		NUT,STARTER FLANGE,12	1				9609-3		

