



SPECIFICATIONS SHEET FOR S300

CANYCOM

Model and Type		S300	
		Straight Dump	Swivel Dump (scoop bucket)
Machine Mass	kg	2470	2690
Maximum Payload	kN(kgf)	29.4 (3000)	
Operating Temperature	°C	between -15°C and +40°C *1	
Operating Elevation	m	below 1500 *2	
Dimensions			
Overall Length	mm	3300	3675
Overall Width	mm	1645	1620
Overall Height	mm	2370	
Tumbler Length	mm	1960	
Track Tread	mm	1230	
Track Width	mm	320	
Minimum Ground Clearance	mm	285	
Floor Height	mm	770	910
Loading Deck			
Inside Dimensions	Length	mm	1685
	Width	mm	1420
	Height	mm	370
Payload	Struck	m ³	0.89
	Heaped	m ³	1.26
Engine			
<< Kubota V2403 Tier4(CE Stage5) >>			
Total Displacement	cm ³	2434	
Rated Output	kW(PS)/rpm	34.9 (47.5) / 2700 *net	
Maximum Torque	N·m(kgf·m)/rpm	155.0 (15.8) / 1600 *net	
Set Engine Speed	rpm	2400	
Fuel Tank Capacity	L	60	
Battery Capacity	V/AH	12/92	
Performance and Operating Range			
Travel Speed	Gearshifting	HST(2 speed modes)	
	High Speed	km/h	0 to 11
	Low Speed	km/h	0 to 6
Minimum Turning Radius	m	approx. 2.3 (pivot turn)	
Gradability	Degrees	25 (unloaded)	
Dumping System			
Dump System	Hydraulic Dump		
Load Deck Type	Straight Dump		Swivel Dump
Hydraulic Pump Type	Gear Pump		
Relief Pressure	MPa(kgf/cm ²)	15.7 (160)	11.8 (120)
Max. Angle	Degrees	60	85
Swivel System			
Swivel System	-	Hydraulic (Twin cylinder)	
Swiveling Angle	°	90(Right) - 90 (Left)	

*1 In case the machine is to be used below this temperature range (below -15°C), take anti-freezing measures to the machine.

*2 Engine performance is reduced when used above 1500m of elevation.

These specifications are subject to change without notice.

CANYCOM TRACKED DUMPER S300



MADE IN JAPAN

Max. Payload
3,000kg

Engine
Kubota V2403

Dumping type
Swivel/Straight

Speed
11km/h

Equipped with
Diesel Particulate Filter

S300



Swivel Dump



Straight Dump

CANYCOM

CHIKUSUI CANYCOM, INC.

HAKATA OFFICE(OVERSEAS DIV.)

Yutoku Bldg 6F, 1-5 Nakagofuku-machi, Hakata, Fukuoka, 812-0035, JAPAN

TEL +81-92-272-1104 FAX +81-92-272-1119

e-mail exinfo@canycom.co.jp

S300

BUILT TOUGH & BUILT TO LAST!!



DIESEL ENGINE
[34.9kW]

DPF
[Diesel particulate filter]

2PUMPS
2MOTORS

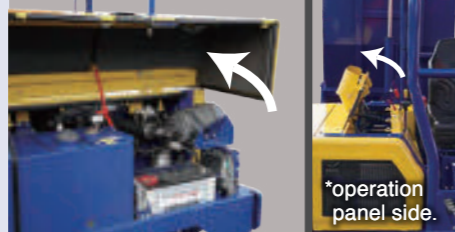
With its maximum payload of 3,000kg, the tracked dumper S300 is designed to increase production. The machine is eco friendly and is equipped with diesel particulate filter that reduce the pollution on the environment. The powerful engine of 34.9kW and the HST driven system with 2 pumps & 2 motors are good combinations to feel less stress when adjusting engine speed and allow a smoother maneuverability.

180° TURNING OPERATOR SEAT



The rotating operator seat allows a safe maneuver with a better visibility on your surroundings but also helps to drive safely in both directions forward and backward.

EASY ACCESS TO ENGINE COMPONENTS



Because of its wide opening engine hood, the access to components, daily check and maintenance are easier.

CONTROL PANEL WITH LCD MONITOR



Liquid Crystal Display (LCD) shows fuel level, accumulative hours used, and coolant temperature.

HARDOX BUCKET



High-strength Swedish steel is used for the cargo bed bottom plate.

ROPS



Rear and Back LED lights optional. Patlite optional

ECO DRIVE MODE



Pressing this switch reduces the engine output to 80% of maximum.

SAFETY LEVER

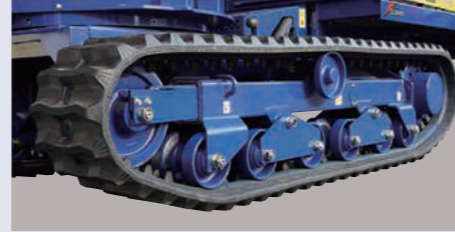


Pulling the lock lever up disables the drive levers.

STRONG BUMPER



POWERFUL UNDER CARRIAGE



EMERGENCY STOP SWITCH



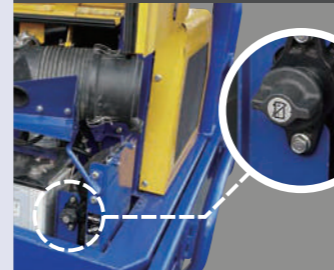
ACCESSORY SOCKET (12V)



INCLINOMETER AS STANDARD

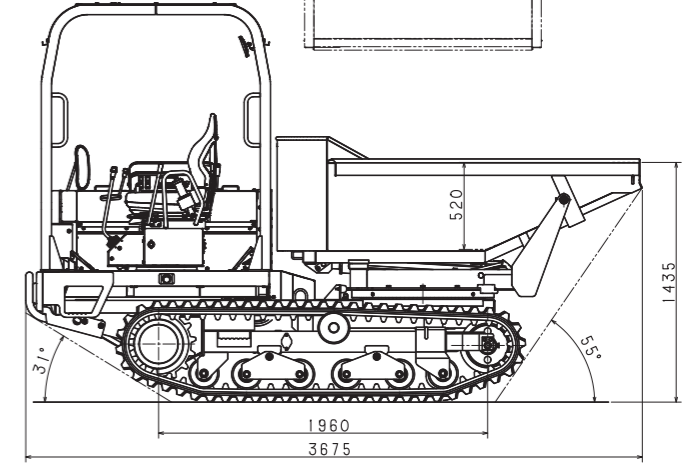
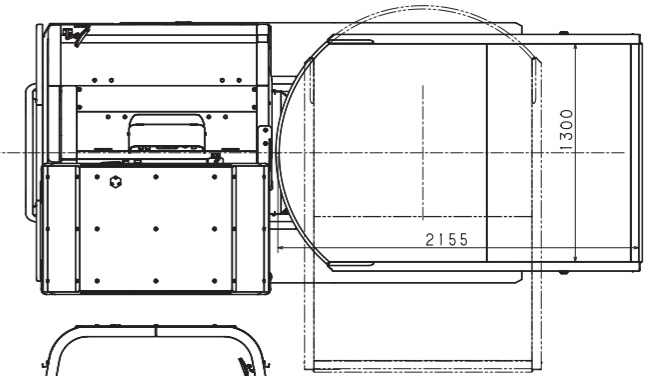
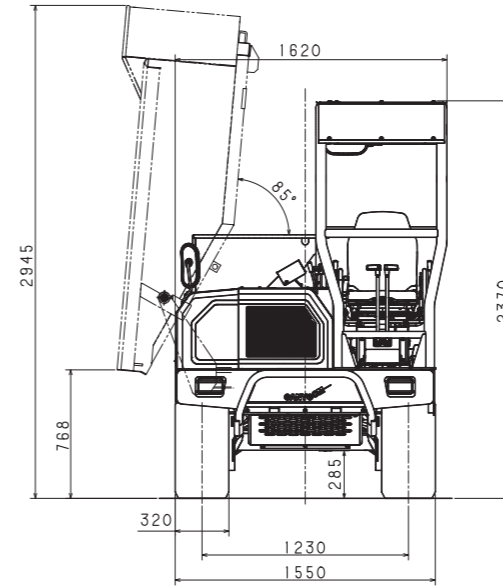
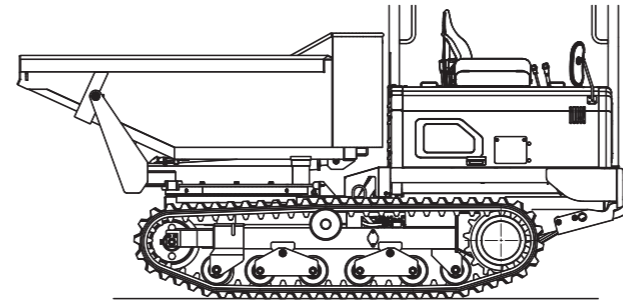


BATTERY KILL SWITCH



- DIMENSIONS -

< Swivel Dump >



* Ground Pressure: Empty 21.2kPa / Loaded 44.7 kPa

CONSTRUCTION & PUBLIC WORKS

The tracked dumper is well appreciated by construction companies when it comes to operate on wet and slippery job sites. It provides a better traction.

LANDSCAPING

Landscapers are fans of tracked dumpers. Operating on wet, sloppy and slippery grounds can be very stressful when you do not have the adequate carrier. Therefore most of them would prefer to have a tracked dumper with swivel bucket and 2 directions driving system (forward and backward).

FORESTRY

Our tracked dumpers can be also used for application in forestry field by simply changing the loading platform. It can be used to carry logs, timber, pole for fencing etc.

PIPE LINE CONSTRUCTION

Pipe line construction are sometime located in areas difficult to access with conventional site dumpers. Areas can be bumpy and sloppy.

RENTAL

The most important thing for a rental company is to have a tough and reliable machine that doesn't not break down easily. CANYCOM tracked dumpers are known as tough and long last long machines easy to maintain and maneuver.

TANK & TOOLS CARRIER

Tracked dumpers are sometime customized and used as diesel tank and tool carrier to ensure the shuttle operating fields with difficult access.

OFF ROAD CARRIER

The tracked dumper can serve as a perfect off road carrier in muddy grounds, pit soils, sloppy terrains etc. The S300 tracked dumper would be the solution!

MOUNTED WITH ATTACHMENT

The tracked dumper without its dumping bucket can be mounting with different accessories like: post pillar, areal lift, boom sprayer, spreader, grapples, electric cable roller.

