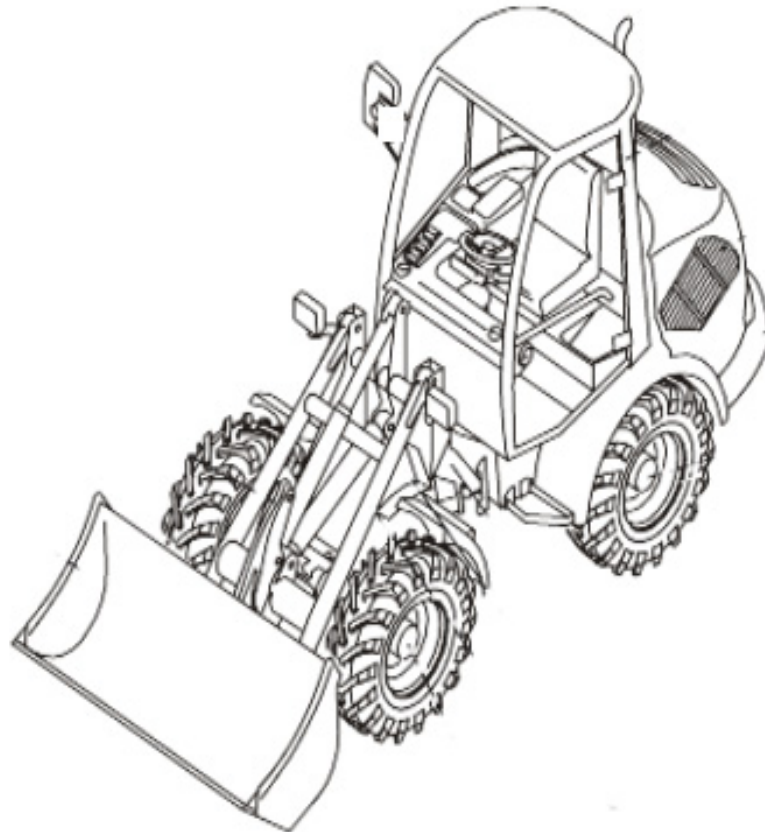


# PARTS MANUAL

**TW60**

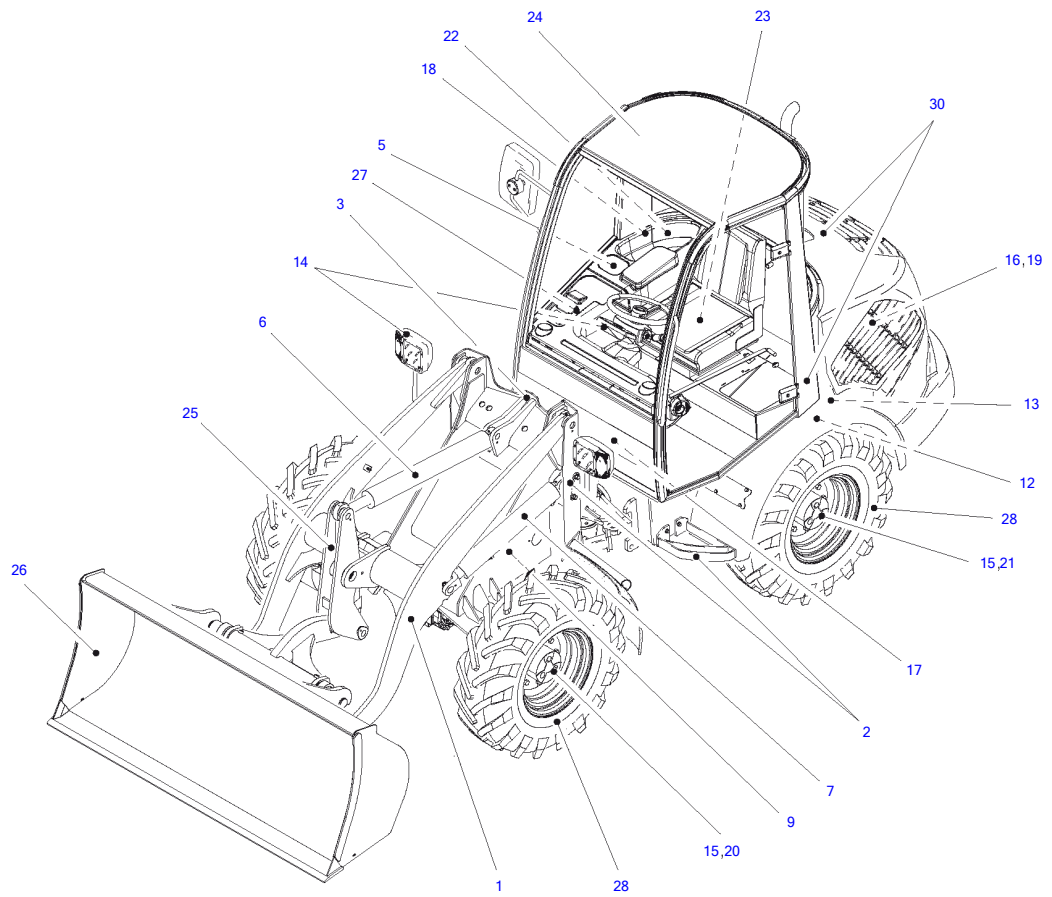
Serial No. E106776~

Book No. 8017235

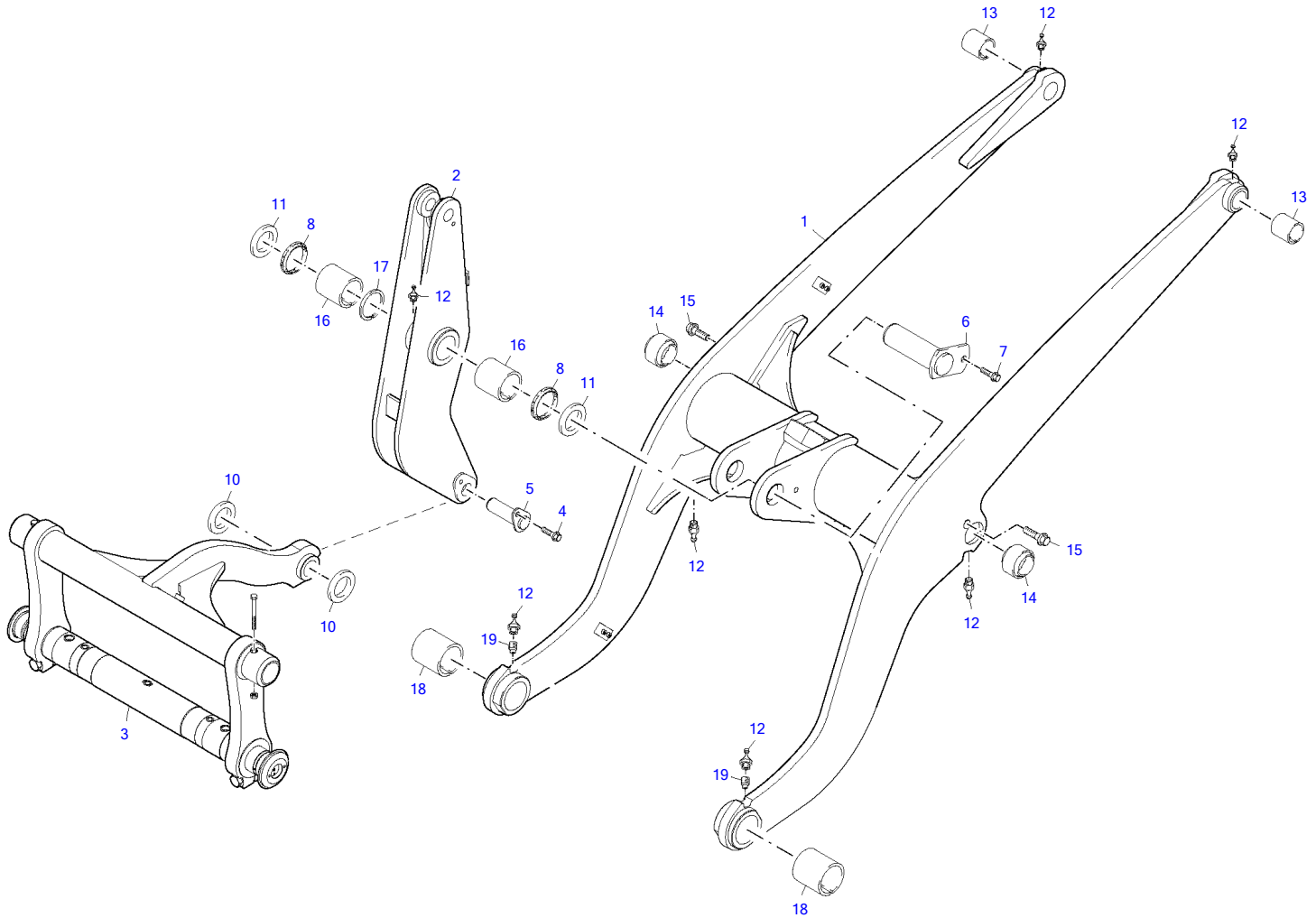


**WHEEL LOADER**

**TAKEUCHI**

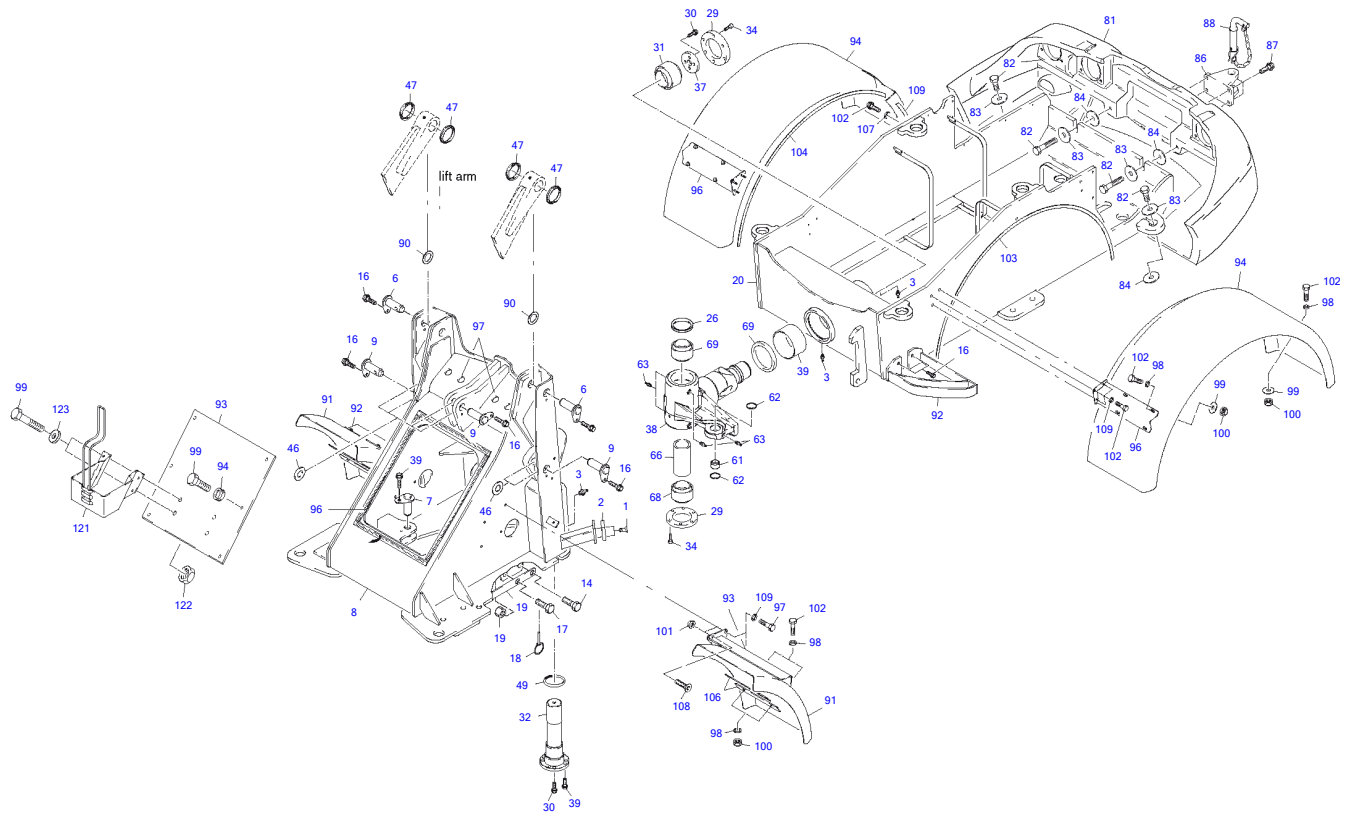


Item	Part number	Description	Index			
			Q'ty	Chan.	Serial No.	Serv.
1	8003072	Lifting Unit				
2	5820059	Base Frame				
3	5820072	Steering Hydraulics				
	5820069	Working Hydraulics				
	8016949	Return Hydraulics				
	5820070	Driving Hydraulics				
	8018601	Hydraulic Lifting Unit				
	8016545	Hydraulic				
	8012416	Locking Device				
5	5820138	Directional Valve				
	8002252	Brake Throttle Valve				
6	3959537	Working Cylinder				
7	3959526	Lifting Cylinder				
9	3959515	Steering Cylinder				
12	5820062	Hydraulic Tank Compl				
13	5820066	Return Filter				
14	5820074	Electric System				
	8016811	Electric System (Canopy)				
	8008597	Printed Circuit Board				
	8012903	Working Headlights				
15	5820056	Drive Set				
16	8016801	Diesel Engine Compl				
	8020983	Heating Kit				
	8016950	Exhaust Installation				
17	8014176	Pedal Mechanism				
18	8016941	Air Filter System				
19	5820115	Oil Pressure Pump				
	8019517	Oil Pressure Pump 12V				
	8019523	Oil Motor				
20	5820057	Front Axle				
	8014145	Axle Pipe				
21	5820058	Rear Axle				
	8014145	Axle Pipe				
	8009421	Rear Axle Multiple				
22	8019993	Fuel Supply System				
23	8013032	Driver's Seat Compl				
	8014478	Seat Bottom Part				
24	8016507	Cabin Canopy				
	8012821	FOPS Grating Compl				
	8020364	Window Panes Kits				
	8013842	Cabin Door Compl				
	8015598	Hinged Right Side Window				
	8014357	Covering Canopy				
	8015046	Protective Canopy				
	8014185	Steering Column Compl				
25	8003071	Hyd Quick Release Eq				
26	3705791	Pallet Fork Compl				
	8020453	Heating Kit				
28	8016620	Decals & Accessories				
	8016644	Protective Hoses				
	8018800	Filter Set				
30	5820078	Covering				
	8016808	Engine Hood Compl				
99	8018800	Maintenance Filter Kits				



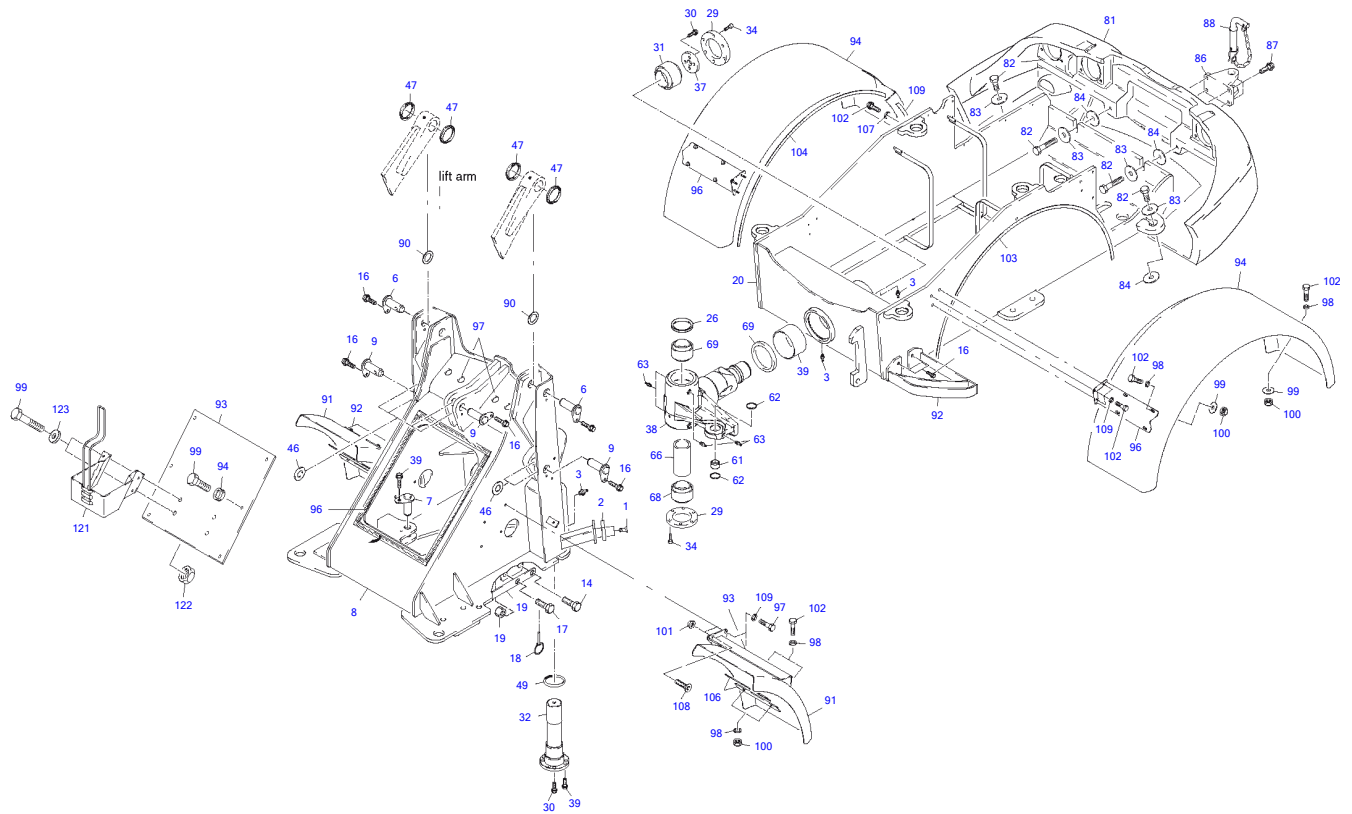
Item	Part number	Description	Lifting Unit				Remarks
			Q'ty	Chan.	Serial No.	Serv.	
	<b>8003072</b>	Lifting Unit	1				
1	<b>8002521</b>	Lifting Arm Compl	1				
2	<b>8003055</b>	Lever	1				
3	<b>8003071</b>	Hydraulic Quick Release	1				
4	<b>1783337</b>	Serrated Hex Head Screw	1				
5	<b>0877689</b>	Bolt Compl	1				
6	<b>0847887</b>	Bolt Compl	1				
7	<b>1782905</b>	Serrated Hex Head Screw	1				
8	<b>0809472</b>	Ring	2				
10	<b>1782654</b>	Disk 1.0 MM	1				
	<b>8003252</b>	Disk 1.2 MM	1				
	<b>8003253</b>	Disk 1.5 MM	1				
	<b>1782665</b>	Disk 2.0 MM	1				
11	<b>2909079</b>	Disk 1.0 MM	1				
	<b>2909091</b>	Disk 1.2 MM	1				
	<b>2909104</b>	Disk 1.5 MM	1				
	<b>2909080</b>	Disk 2.0 MM	1				
12	<b>0324590</b>	Grease Nipple	7				
13	<b>8004387</b>	Split Bush	2				
14	<b>2915806</b>	Spherical Bearing	2				
15	<b>2916794</b>	Self-Locking Screw	2				
16	<b>8004388</b>	Split Bush	2				
17	<b>2961437</b>	Circlip	1				
18	<b>8004389</b>	Split Bush	2				
19	<b>2985537</b>	Threaded Pin	2				

TW60 Book No. 8017235 01.10 S/N E106776  
Base Frame



Item	Part number	Description	Base Frame Q'ty	Chan.	Serial No.	Serv.	Remarks
	<b>5820059</b>	Base Frame	1				
1	<b>1307171</b>	Countersunk Screw A3C	4				
2	<b>5820162</b>	Stop Plate	2				
3	<b>0324590</b>	Grease Nipple	2				
5	<b>8017583</b>	Bolt Compl	2				
6	<b>8017589</b>	Bolt Compl	2				
7	<b>3945177</b>	Bolt Compl	1				
8	<b>5820257</b>	Frame Front	1				
9	<b>8017582</b>	Bolt Compl	1				
14	<b>1627236</b>	Hex Head Screw A3C	1				
15	<b>0327322</b>	Nut A3C	1				
16	<b>1783337</b>	Serrated Hex Head Screw	7				
17	<b>1014053</b>	Special Screw	1				
18	<b>1011163</b>	Split Pin	1				
19	<b>5820128</b>	Safety Rod Compl	1				
20	<b>5820000</b>	Rear Frame	1				
	<b>8016927</b>	Rear Frame	1				
26	<b>0884177</b>	V-Ring	1				
29	<b>0896740</b>	Disk	2				
30	<b>0884166</b>	Self-Locking Bolt	8				
31	<b>2919388</b>	Spherical Bearing	1				
32	<b>3923820</b>	Pin	1				
34	<b>0321371</b>	Hex Head Cap Screw	12				
35	<b>2441632</b>	Bush	1				
37	<b>0896773</b>	Disk	1				
38	<b>3741477</b>	Artic Pend Joint	1				
39	<b>3762610</b>	Self-Locking Bolt	5				
46	<b>8004668</b>	Disk 1.0 MM	1				
	<b>8004669</b>	Disk 1.2 MM	1				
	<b>8004670</b>	Disk 1.5 MM	1				
	<b>8004671</b>	Disk 2.0 MM	1				
47	<b>8002032</b>	Ring	4				
48	<b>4674104</b>	Shim 1.0 MM	1				
	<b>8001149</b>	Shim 1.5 MM	1				
	<b>4626253</b>	Shim 2.0 MM	1				
49	<b>2916363</b>	O-Ring	1				
50	<b>8003214</b>	Washer 1.00 MM	1				
	<b>8003215</b>	Washer 1.20 MM	1				
	<b>8003216</b>	Washer 1.50 MM	1				
	<b>8003217</b>	Washer 2.00 MM	1				
52	<b>8013759</b>	Left Climb Bracket	1				
53	<b>3940569</b>	Front Cover	1				
54	<b>8016479</b>	Locking Washer	6				
55	<b>0893236</b>	Hex Head Screw A3C	10				
56	<b>1898686</b>	Sealing Strip 1900 MM	1				
57	<b>3935302</b>	Protecting Cap	2				
61	<b>0447032</b>	Spherical Bearing	1				
62	<b>0318069</b>	Circlip Tone 400	2				
63	<b>0300569</b>	Grease Nipple	5				
65	<b>2919399</b>	Spherical Bearing	1				
66	<b>0896751</b>	Spacer	1				
68	<b>2919388</b>	Spherical Bearing	1				
69	<b>0896762</b>	Distance Ring	1				
81	<b>5820133</b>	Counter Weight	1				
82	<b>1618393</b>	Hex Head Screw A3C	4				
83	<b>1781813</b>	Disk	4				
84	<b>3930885</b>	Washer A3C 2.0 MM	1				
	<b>3930896</b>	Washer A3C 3.0 MM	1				
	<b>1781802</b>	Washer A3C 4.0 MM	1				
	<b>3930909</b>	Washer A3C 5.0 MM	1				
86	<b>3944949</b>	Draw BAR Coupling	1				
87	<b>2993151</b>	Serrated Hex Head Screw	4				
88	<b>3944574</b>	Pin	1				
91	<b>5820097</b>	Front Fender	2				
92	<b>8015855</b>	Right Holder Compl	1				
93	<b>8015858</b>	Left Holder Compl	1				
94	<b>5820099</b>	Right Rear Fender	1				
95	<b>5820100</b>	Left Rear Femder	1				

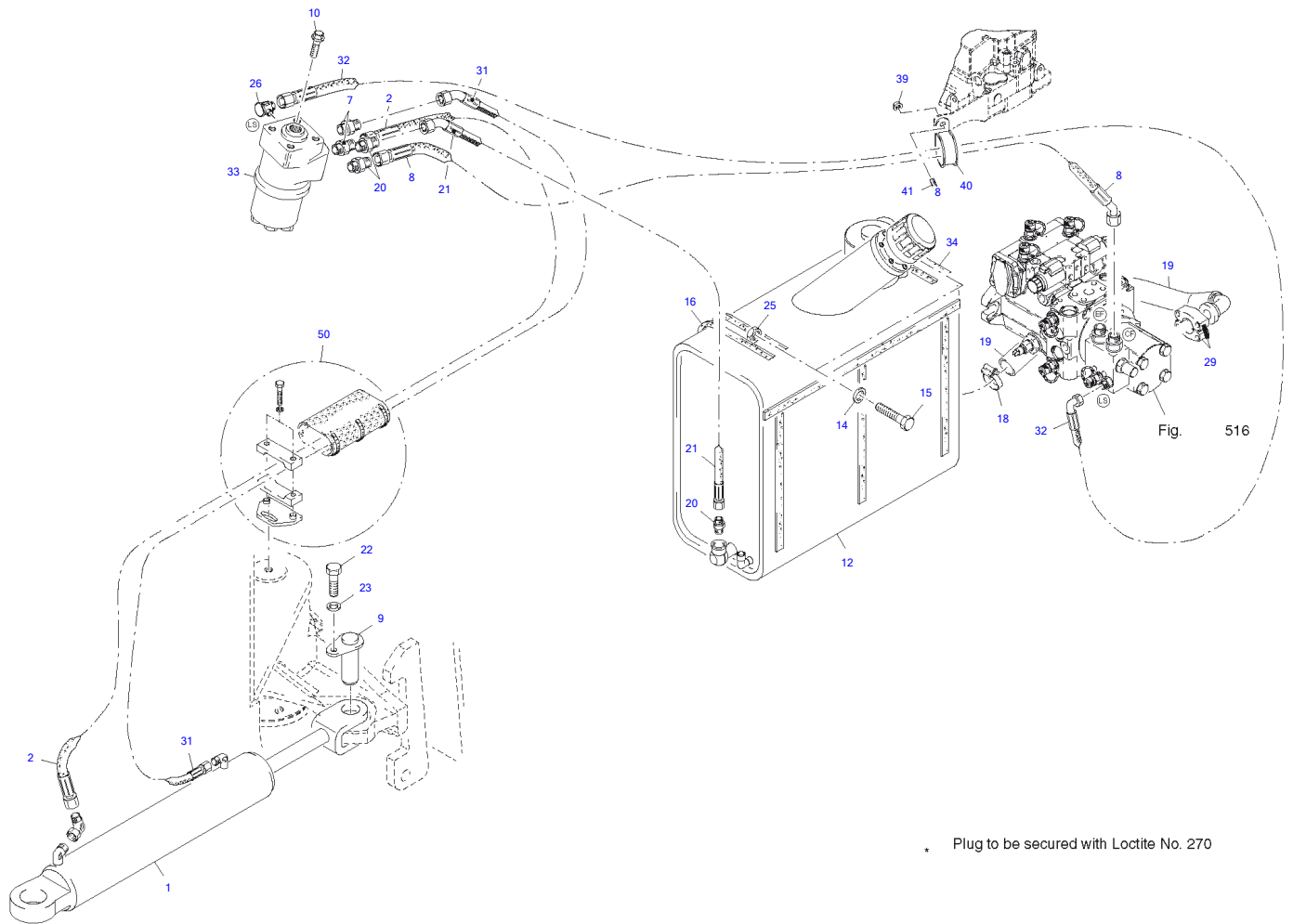
TW60 Book No. 8017235 01.10 S/N E106776  
Base Frame





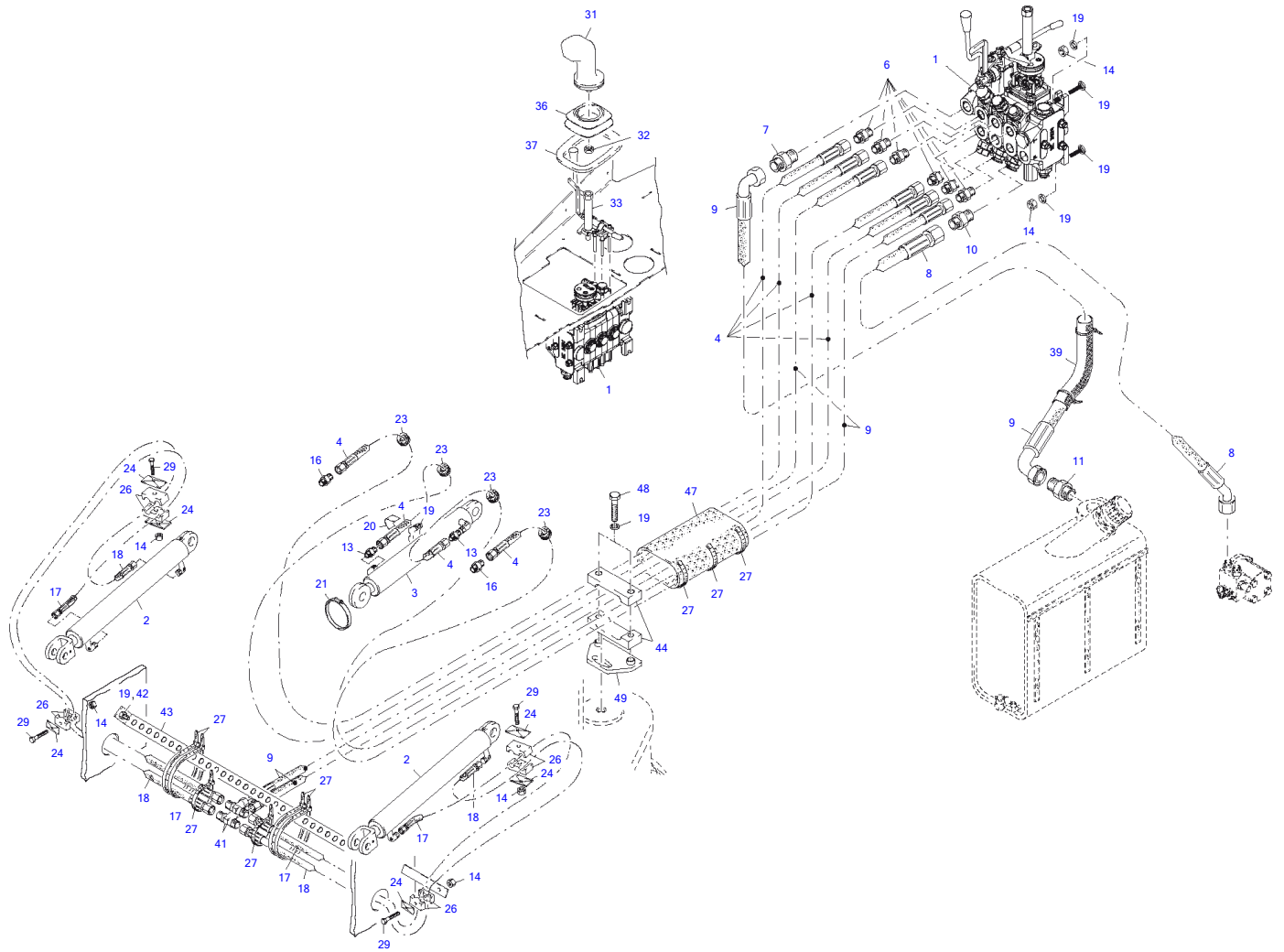
Item	Part number	Description	Base Frame Q'ty	Chan.	Serial No.	Serv.	Remarks
96	<b>5820101</b>	Holder Compl	2				
97	<b>0893189</b>	Hex Head Screw A3C	4				
98	<b>0863138</b>	Washer A3C	32				
99	<b>2481254</b>	Ripp Wsher A3C	16				
100	<b>0399760</b>	Nut A3C	24				
101	<b>1722787</b>	Serrated Nut	6				
102	<b>0893214</b>	Hex Head Screw A3C	31				
103	<b>1898686</b>	Packing Strap 1710 MM	1				
104	<b>1898686</b>	Packing Strap 1280 MM	1				
105	<b>1898686</b>	Packing Strap 320 MM	1				
106	<b>5820170</b>	Plate	4				
107	<b>2481254</b>	Ripp Washer A3C	1				
108	<b>1398385</b>	Countersunk Screw A3C	2				
109	<b>3939464</b>	Ripp Washer A3C	10				
121	<b>0806264</b>	Wheel Chock Holder	1				
122	<b>0399760</b>	Hex Nut A3C	4				
123	<b>0863138</b>	Washer A3C	4				

TW60 Book No. 8017235 01.10 S/N E106776  
Steering Hydraulics



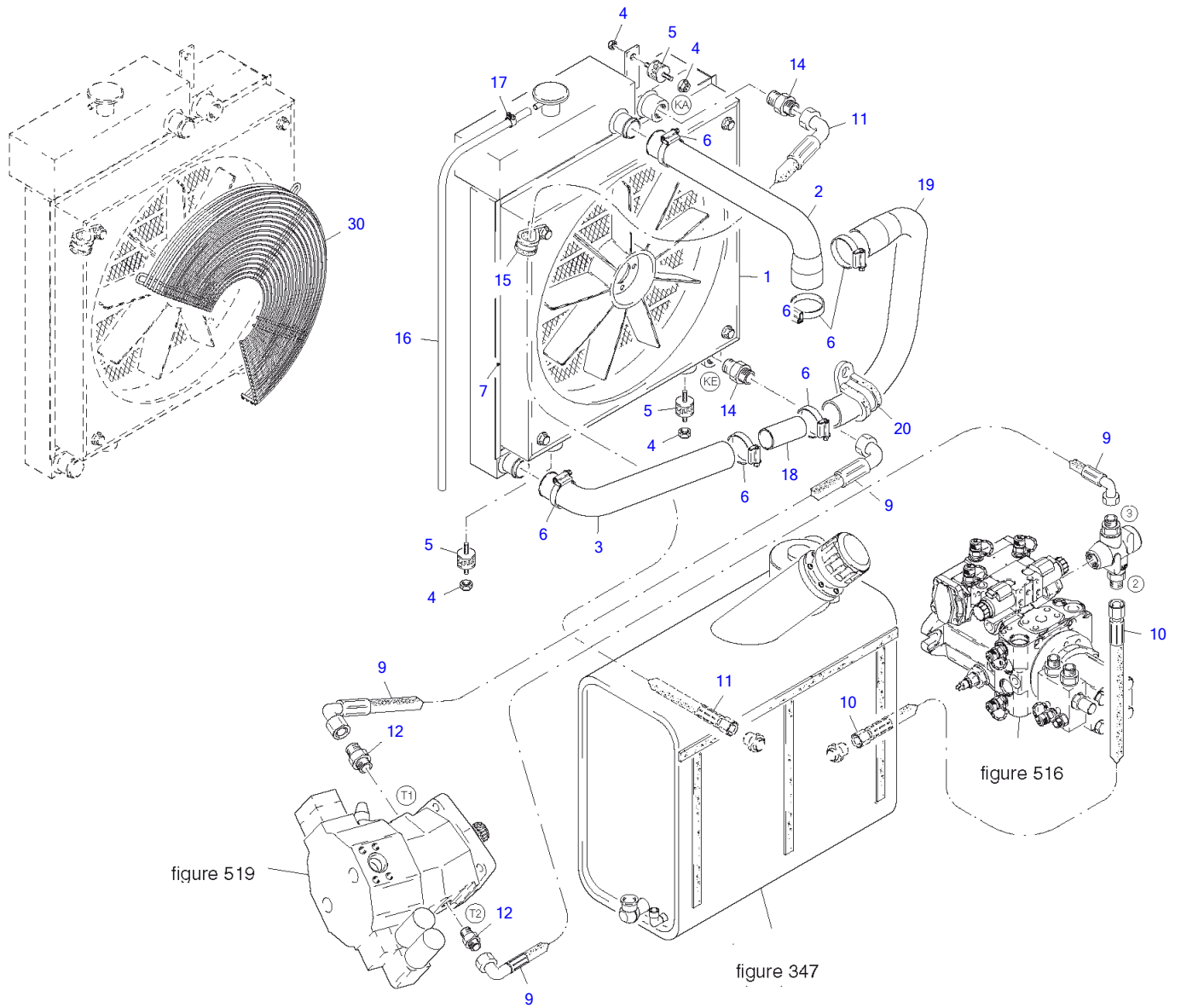
### Steering Hydraulics

Item	Part number	Description	Q'ty	Chan.	Serial No.	Serv.	Remarks
	<b>5820072</b>	Steering Hydraulics	1				
1	<b>3959515</b>	Steering Ram	1				
2	<b>2912052</b>	HP-Hose 10 1550	1				
3	<b>1002184</b>	Countersunk Screw	1				
4	<b>1745591</b>	Washer	1				
5	<b>1388656</b>	Spring Washer A3C	1				
6	<b>0323624</b>	Split Bush	1				
7	<b>1666948</b>	Coupling A3C	2				
8	<b>8007438</b>	HP-Hose 13 X 1975	1				
9	<b>8017579</b>	Bolt Compl	1				
10	<b>2990216</b>	Self-Locking Bolt	4				
11	<b>3757840</b>	Block	4				
12	<b>5820062</b>	Hydraulic Tank Compl	1				
13	<b>5820175</b>	Plate Compl	1				
14	<b>2481254</b>	Ripp Washer A3C	2				
15	<b>0410073</b>	Hex Head Screw A3C	2				
16	<b>0909224</b>	Profile Rubber 800 MM	1				
17	<b>0893418</b>	Hex Head Screw A3C	4				
18	<b>5820274</b>	Clip Norma	1				
19	<b>5820151</b>	Suction Hose 32 X 750	1				
20	<b>2481696</b>	Coupling A3C	3				
21	<b>5820178</b>	LP-Hose 13 X 950	1				
22	<b>1307104</b>	Hex Head Screw A3C	1				
23	<b>2481243</b>	Ripp Washer A3C	1				
25	<b>0399760</b>	Nut A3C	2				
26	<b>2456833</b>	Coupling A3C	1				
29	<b>8013906</b>	Half Flange Compl	1				
31	<b>8012344</b>	HP-Hose 10 X 1600	1				
32	<b>3750412</b>	HP-Hose 8 X 2200	1				
33	<b>8011864</b>	Steering Valve	1				
34	<b>0909224</b>	Profile Rubber 650 MM	1				
35	<b>0893189</b>	Hex Head Screw A3C	1				
36	<b>0874960</b>	Cover Plate	1				
37	<b>2912085</b>	2-Piece Clip Body	1				
39	<b>1722787</b>	Serrated Nut	1				
40	<b>3698917</b>	Clip Norma	1				
41	<b>2449607</b>	Serrated Hex Head Screw	1				



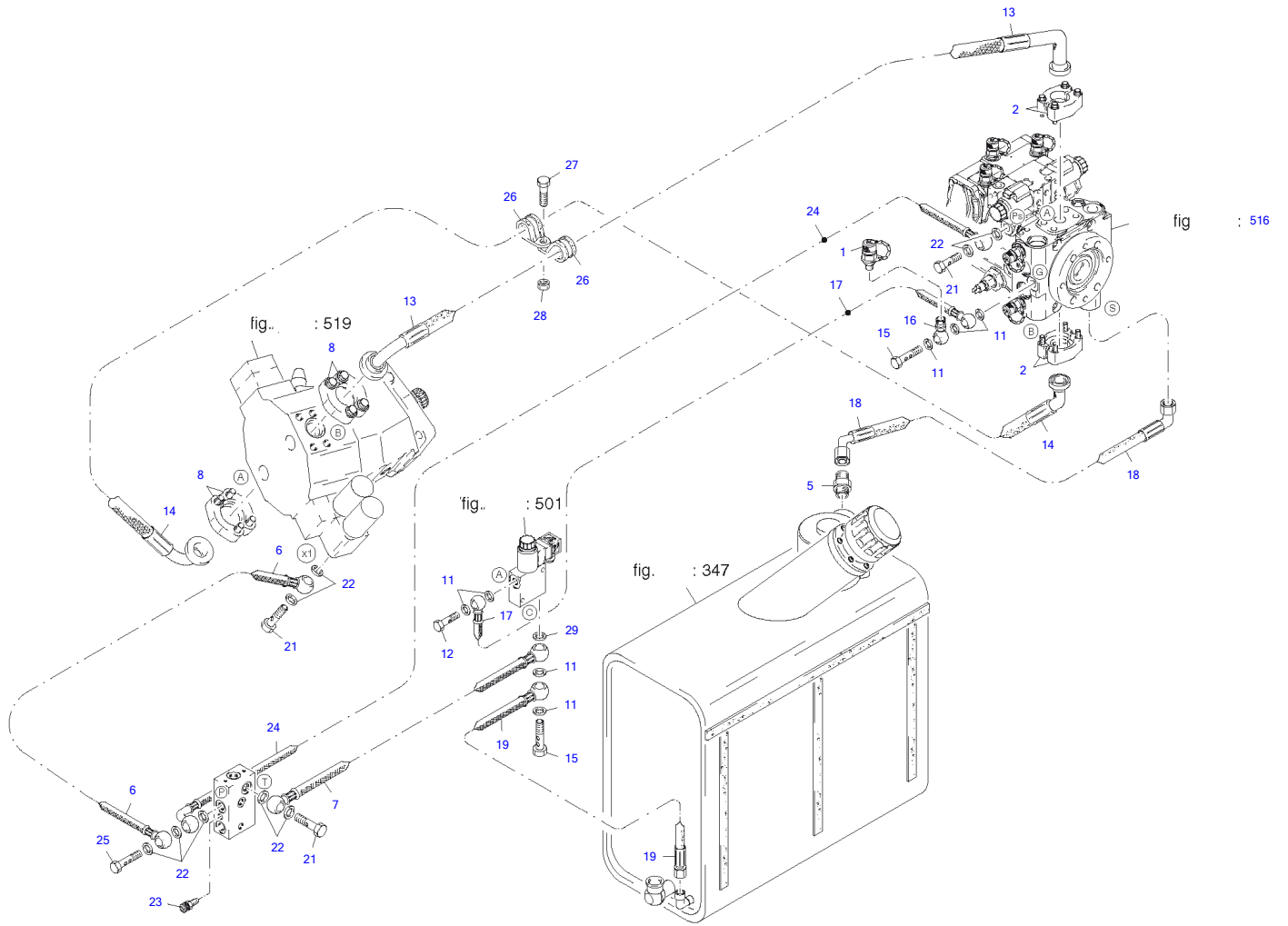
**Working Hydraulics**

Item	Part number	Description	Q'ty	Chan.	Serial No.	Serv.	Remarks
	<b>5820069</b>	Working Hydraulics Compl	1				
	<b>8015021</b>	Working Hydraulics Rear	1				
	<b>8015981</b>	Working Hydraulics	1				
	<b>8015077</b>	Working Hydraulics Front	1				
1	<b>5820138</b>	Directional Valve	1				
2	<b>3959526</b>	Lifting Ram	2				
3	<b>3959537</b>	Working Ram	1				
4	<b>3976232</b>	HP-Hose 10 X 3150	4				
5	<b>3762541</b>	HP-Hose 10 X 1750	2				
6	<b>1666948</b>	Coupling A3C	6				
7	<b>1686395</b>	Coupling A3C	1				
8	<b>8012343</b>	HP-Hose 13 X 2500	1				
9	<b>5820192</b>	LP-Hose 20 X 1700	1				
10	<b>2481696</b>	Coupling A3C	1				
11	<b>1685612</b>	Coupling A3C	1				
13	<b>2903926</b>	Coupling A3C	2				
14	<b>0399760</b>	Nut A3C	7				
15	<b>2481254</b>	Ripp Washer A3C	10				
16	<b>8016608</b>	Coupling A3C	2				
17	<b>8015957</b>	HP-Hose 10 X 1350	2				
18	<b>2912052</b>	HP-Hose 10 X 1550 30 MM	2				
19	<b>3924730</b>	Clip	1				
20	<b>8004184</b>	Clamp Strap	1				
21	<b>1349717</b>	Clip	1				
23	<b>3763484</b>	Rubber Socket	4				
24	<b>0874960</b>	Galvannized Plate Cover	6				
25	<b>1336869</b>	Hex Head Screw A3C	4				
26	<b>2912085</b>	Body Clip	4				
27	<b>1062255</b>	Cable Band	32				
31	<b>8011878</b>	Joystick	1				
32	<b>8011932</b>	Nut A3C	1				
33	<b>8012416</b>	Locking Device	1				
36	<b>8012369</b>	Siphon	1				
37	<b>8012875</b>	Profile Rubber	1				
39	<b>0916665</b>	Hose 130 MM	1				
41	<b>0893703</b>	Coupling A3C	2				
42	<b>0893167</b>	Nut A3C	2				
43	<b>8015956</b>	Punched Strip 620 MM	1				
44	<b>3760607</b>	Block	2				
45	<b>2908147</b>	Bracket Compl	1				
46	<b>2481254</b>	Ripp Washer A3C	4				
47	<b>3937075</b>	Rubber Mat	1				
48	<b>0893418</b>	Hex Head Screw A3C	2				



**Return Hydraulics**

Item	Part number	Description	Q'ty	Chan.	Serial No.	Serv.	Remarks
	<b>8016949</b>	Return Hydraulics	1				
1	<b>5820092</b>	Oil-Water Radiator	1				
2	<b>8016727</b>	Radiator Hose	1				
3	<b>8016728</b>	Radiator Hose	1				
4	<b>1722787</b>	Serrated Nut	4				
5	<b>0442106</b>	Rubber Buffer	3				
6	<b>0390158</b>	Clip	4				
7	<b>1898686</b>	Packing Strap 2070 MM	1				
9	<b>5820276</b>	LP-Hose 16 X 1550	1				
10	<b>8018424</b>	LP-Hose 16 X 700	1				
11	<b>8012347</b>	LP-Hose 16 X 425	1				
12	<b>2904234</b>	Coupling A3C	1				
13	<b>2904234</b>	Coupling A3C	2				
14	<b>2673234</b>	Coupling A3C	2				
15	<b>2443587</b>	Clip Norma	1				
16	<b>2986947</b>	Heating Hose 820 MM	1				
17	<b>2983137</b>	Clip Norma	1				
18	<b>8017456</b>	Connecting Piece	1				
19	<b>8017463</b>	Radiator Hose	1				
20	<b>1003721</b>	Clip Norma	1				
30	<b>8019399</b>	Screen Grid Kit	1				

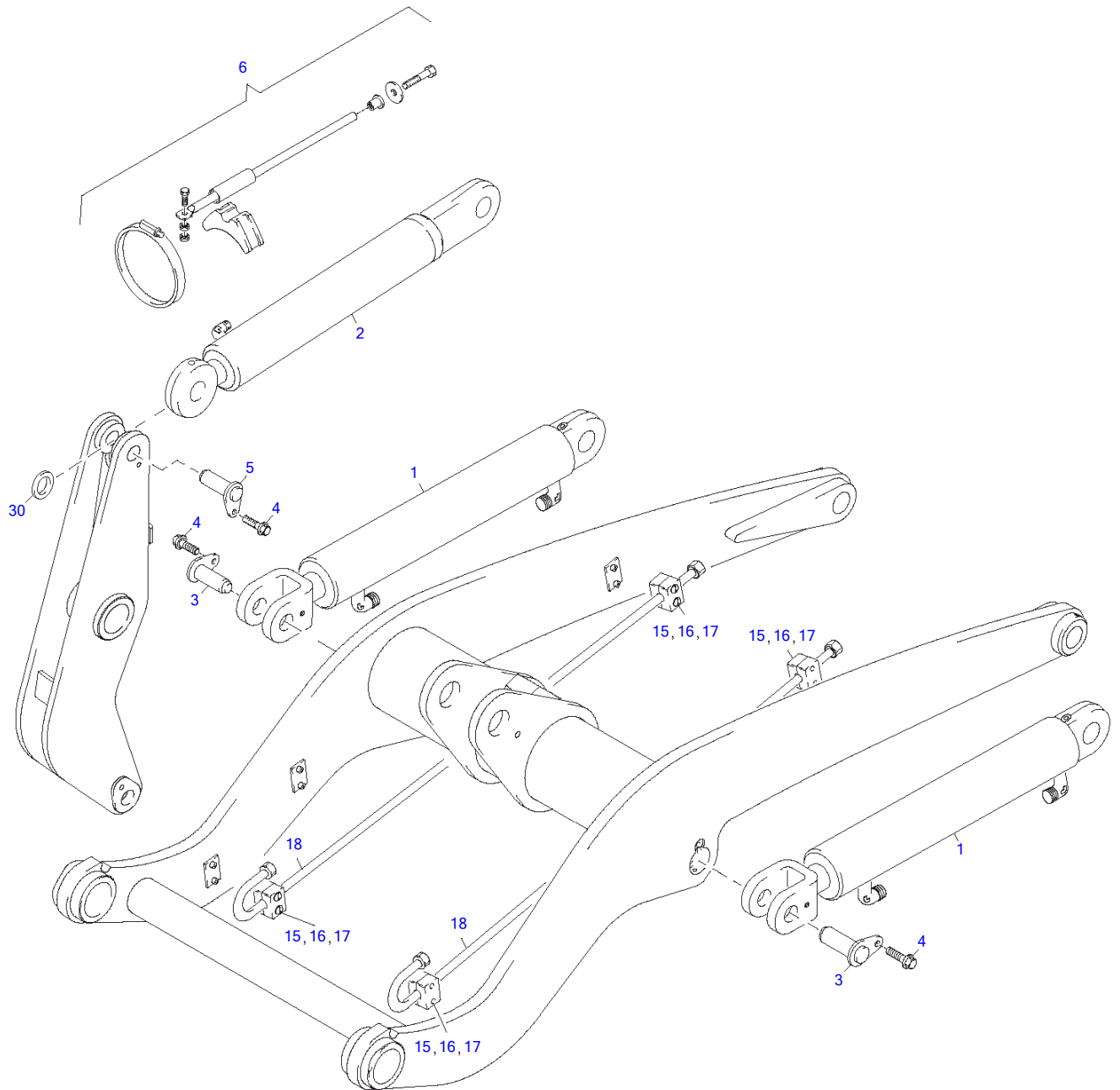




**Driving Hydraulics**

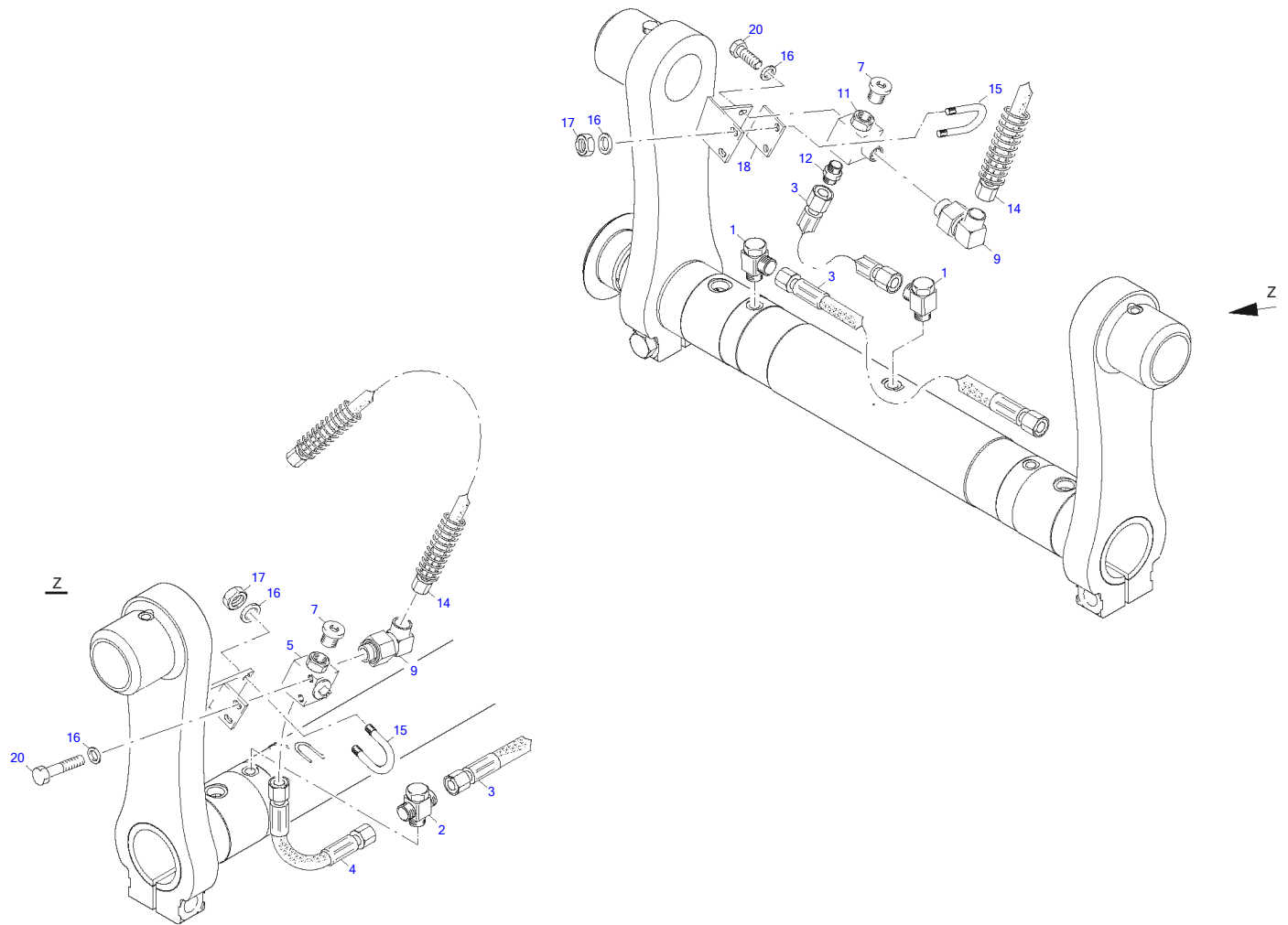
Item	Part number	Description	Q'ty	Chan.	Serial No.	Serv.	Remarks
	<b>5820070</b>	Driving Hydraulics	1				
1	<b>1616551</b>	Screw Coupling	1				
2	<b>8012839</b>	Half Flange Compl	2				
5	<b>1689194</b>	Coupling A3C	5				
6	<b>3763871</b>	Hose Line 6 X 925	1				
7	<b>5820159</b>	Hose Line	1				
8	<b>8011955</b>	Half Flange Compl	2				
11	<b>0350898</b>	Usit Ring U	7				
12	<b>0862944</b>	Female Screw A3C	1				
13	<b>5820156</b>	HP-Hose 20 X 1400	1				
14	<b>5820157</b>	HP-Hose 20 X 1850	1				
15	<b>2980827</b>	Female Screw A3C	2				
16	<b>2970916</b>	Coupling Compl	1				
17	<b>5820158</b>	Hose Line	1				
18	<b>5820180</b>	Suction Hose 20 X 950	1				
19	<b>3765884</b>	Hose Line 6 X 550	1				
21	<b>0311528</b>	Female Screw A3C	3				
22	<b>0373588</b>	Usit Ring U	9				
23	<b>2960243</b>	Air Vent	1				
24	<b>3747100</b>	Hose Line	1				
25	<b>2443850</b>	Female Screw S A3C	1				
26	<b>1009352</b>	Clip Norma	2				
27	<b>1615232</b>	Hex Head Screw A3C	1				
28	<b>0399760</b>	Nut A3C	1				
29	<b>3768296</b>	Gasket A3C	1				

TW60 Book No. 8017235 01.10 S/N E106776  
Hydraulic Lifting Unit

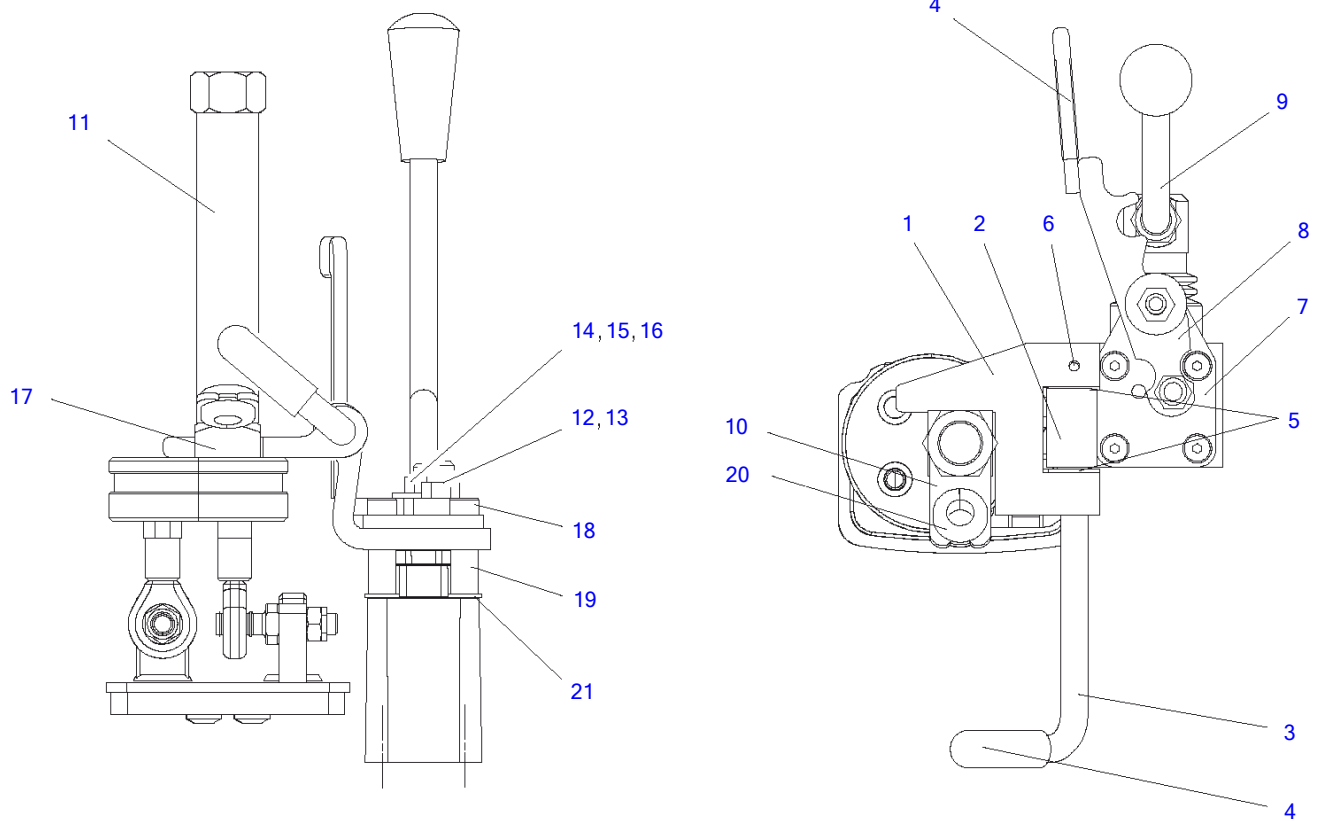


**Hydraulic Lifting Unit**

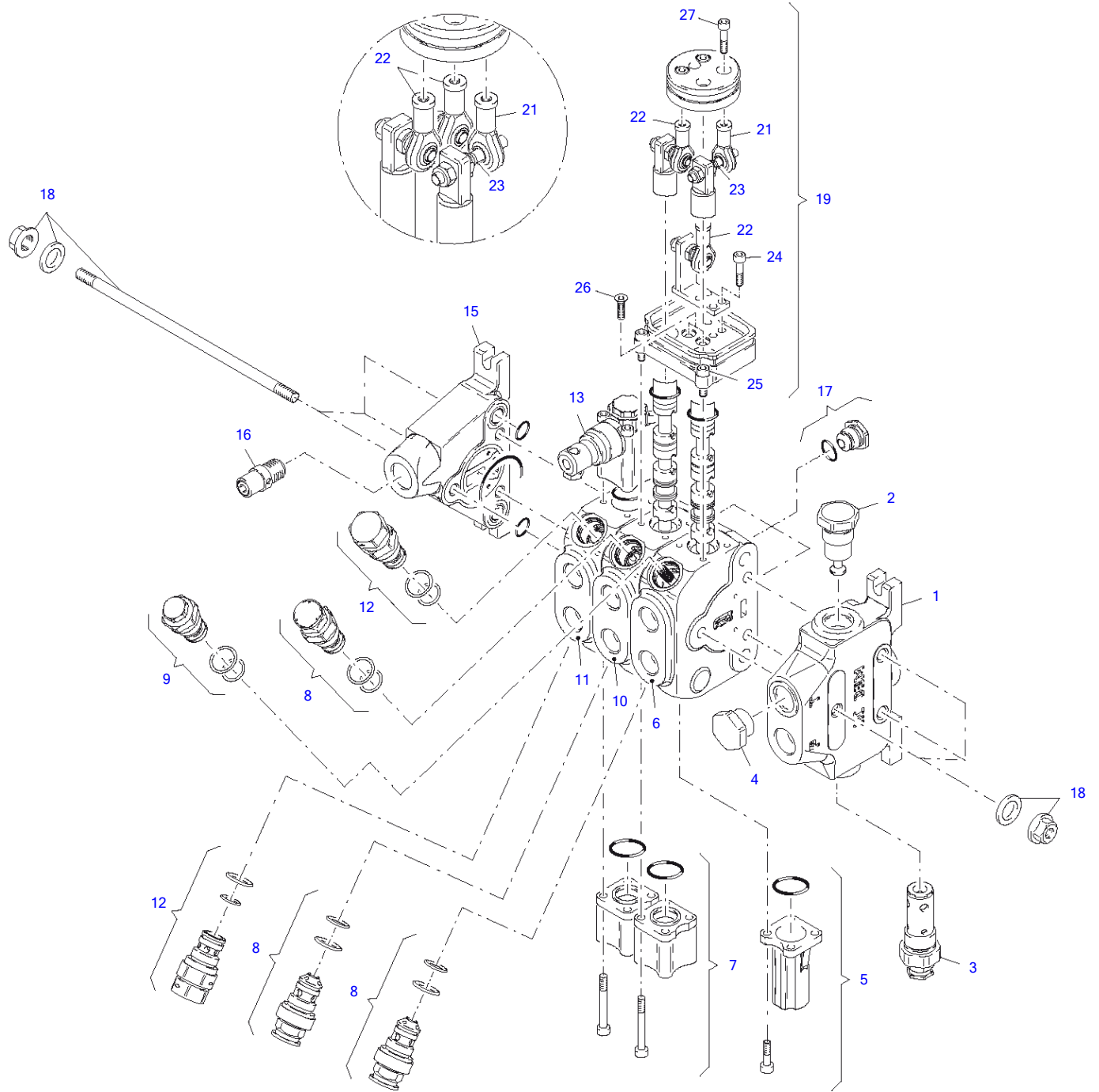
Item	Part number	Description	Q'ty	Chan.	Serial No.	Serv.	Remarks
	<b>8018601</b>	Hydraulic Lifting Unit	1				
	<b>8016544</b>	Boom	1				
1	<b>3959526</b>	Lifting Ram	2				
2	<b>3959537</b>	Working Ram	1				
3	<b>8017586</b>	Bolt Compl	2				
4	<b>1783337</b>	Serrated Hex Head Screw	3				
5	<b>8017588</b>	Bolt Compl	1				
6	<b>8003090</b>	Shovle Position Indicator	1				
15	<b>0877203</b>	2-piec Clip Body	4				
16	<b>1302325</b>	Washer	8				
17	<b>1780969</b>	Oval Head Screw	8				
18	<b>8011943</b>	Pipe Line	2				
30	<b>4674104</b>	Shim 1.0 MM	1				
	<b>8001149</b>	Shim 1.5 MM	1				
	<b>4626253</b>	Shim 2.0 MM	1				



Item	Part number	Description	Hydraulic				
			Q'ty	Chan.	Serial No.	Serv.	Remarks
	<b>8016545</b>	Hydraulic	1				
1	<b>2456822</b>	Coupling A3C	2				
2	<b>2456844</b>	Coupling A3C	1				
3	<b>8003356</b>	HP-Hose 8 X 425	2				
4	<b>8003357</b>	HP-Hose 8 X 200	1				
5	<b>2970905</b>	Shut Off Cock	1				
7	<b>2605709</b>	Screw Plug A3C	2				
9	<b>8013001</b>	Swivel Joint	2				
11	<b>2971746</b>	Square Steel Bar	1				
12	<b>2908501</b>	Coupling A3C	1				
14	<b>8008375</b>	HP-Hose 13 X 825	2				
15	<b>8002703</b>	Clamp Strap	2				
16	<b>2992014</b>	Ripp Washer A3C	8				
17	<b>0487336</b>	Nut A3C	4				
18	<b>8010355</b>	Plate	1				
20	<b>1307115</b>	Hex Head Screw A3C	4				
21	<b>8003071</b>	Hydraulic Quick Release Eq	1				

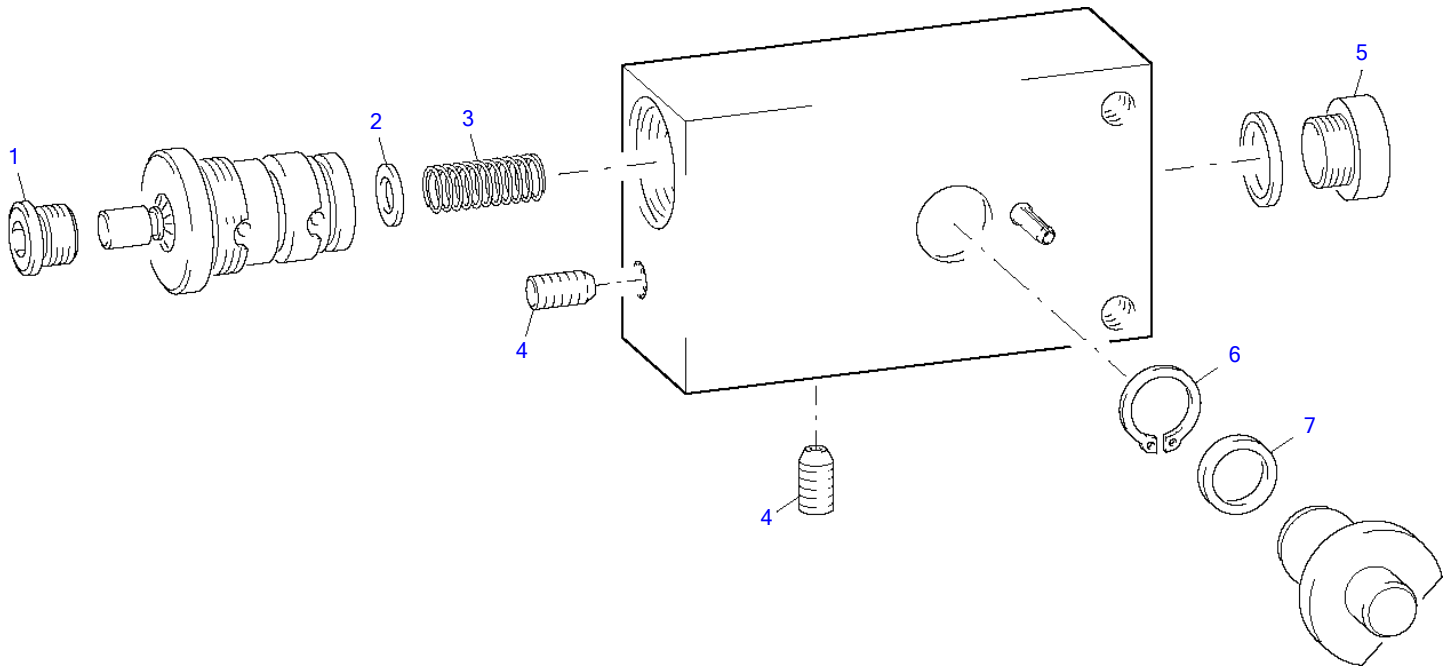


Item	Part number	Description	Locking Device			Remarks
			Q'ty	Chan.	Serial No.	
	<b>8012416</b>	Locking Device	1			
1	<b>8012376</b>	Joint Part	1			
2	<b>8012810</b>	Joint Part	1			
3	<b>8012411</b>	Lever	1			
4	<b>1780709</b>	Red Protecting Cap	2			
5	<b>1749733</b>	Bush	2			
6	<b>3960063</b>	Adaptor Sleeve	1			
7	<b>8012812</b>	Plate	1			
8	<b>8012827</b>	Lever	1			
9	<b>8012825</b>	Lever	1			
10	<b>8012828</b>	Plate	1			
11	<b>8012412</b>	Pin	1			
12	<b>0845443</b>	Threaded Coupling	1			
13	<b>0893167</b>	Nut A3C	1			
14	<b>0487336</b>	Nut A3C	1			
15	<b>0447985</b>	Washer A3C	1			
16	<b>1059330</b>	Spacer	1			
17	<b>8012838</b>	Nut A3C	1			
18	<b>1389384</b>	Hex Head Cap Screw	4			
19	<b>8012841</b>	Spacer	4			
20	<b>0448760</b>	Duct Socket	1			
21	<b>3754427</b>	Washer A3R	4			



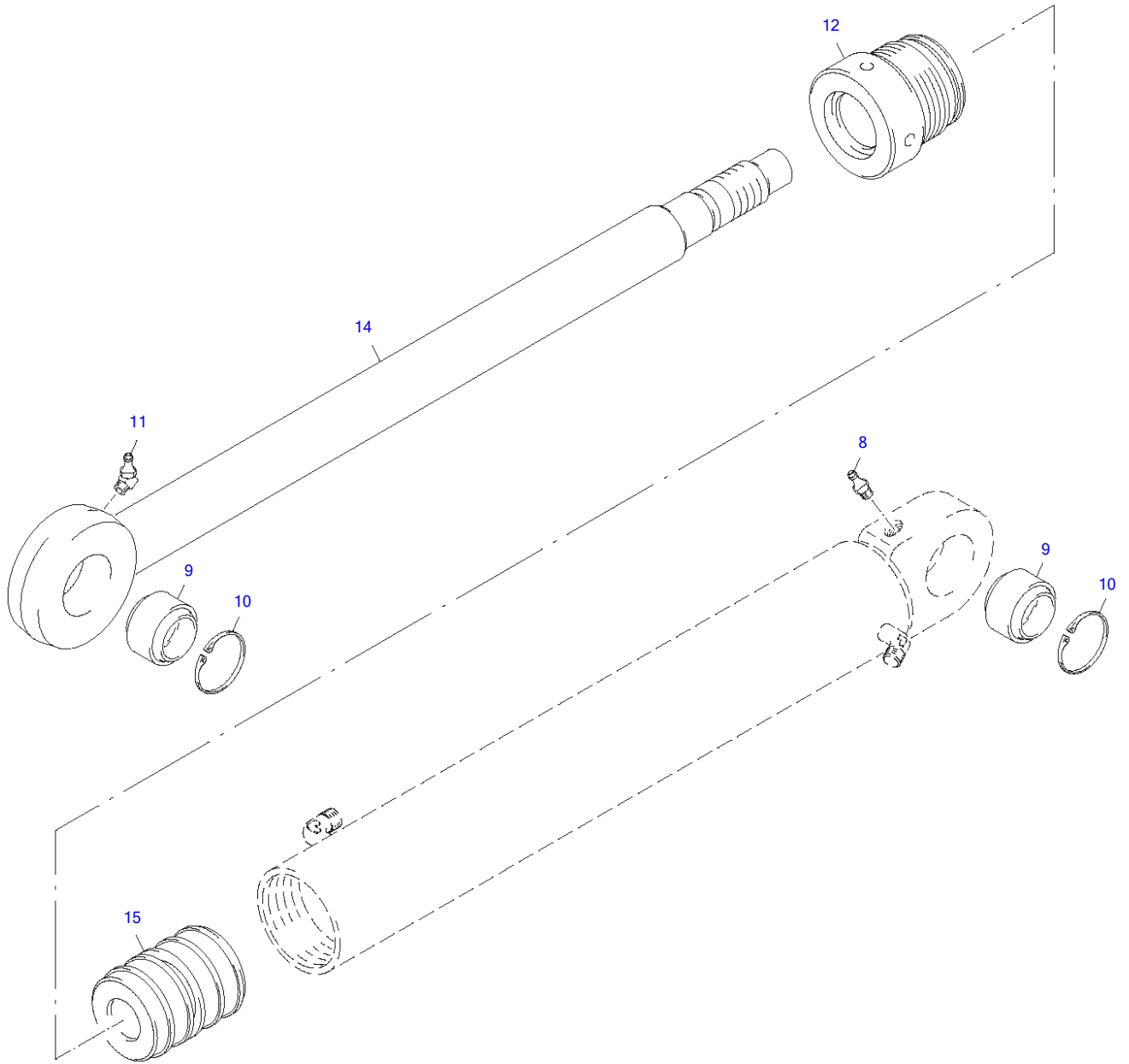


Directional Valve						
Item	Part number	Description	Q'ty	Chan.	Serial No.	Serv. Remarks
	<b>5820138</b>	Directional Valve	1			
1	<b>8014241</b>	Inlet Section	1			
2	<b>8014203</b>	Anit-Cavitation Vlave	1			
3	<b>8014247</b>	Pressure Limit Valve	1			
4	<b>1309275</b>	Plug A3C	1			
5	<b>8014192</b>	Cap Compl	1			
6	<b>8014242</b>	Valve Section	1			
7	<b>8014193</b>	Cap Compl	2			
8	<b>8014198</b>	Pressure Limit Valve	3			
9	<b>8014199</b>	Anti-Cavitation Valve	1			
10	<b>8014243</b>	Valve Section	1			
11	<b>8014244</b>	Valve Section	1			
12	<b>8014200</b>	Pressure Limit Valve	2			
13	<b>8014205</b>	Hand Lever Housing	1			
15	<b>8014245</b>	Outlet Section	1			
16	<b>8014201</b>	Pressurizing Valve	1			
17	<b>8014202</b>	Non Return Valve	3			
18	<b>8014246</b>	Tie Rod Set	3			
19	<b>8014248</b>	Joystick Acuator Compl	1			
21	<b>8014255</b>	Ball A Socket Joint	1			
22	<b>8014256</b>	Pin Compl	2			
23	<b>8014257</b>	Pin	1			
24	<b>8014195</b>	Hex Head Cap Screw	4			
25	<b>0474568</b>	Hex Head Cap Screw	2			
26	<b>1319084</b>	Countersunk Screw A3C	2			
27	<b>1309764</b>	Hex Head Cap Screw	3			
	<b>8014249</b>	Packing Set Compl	1			

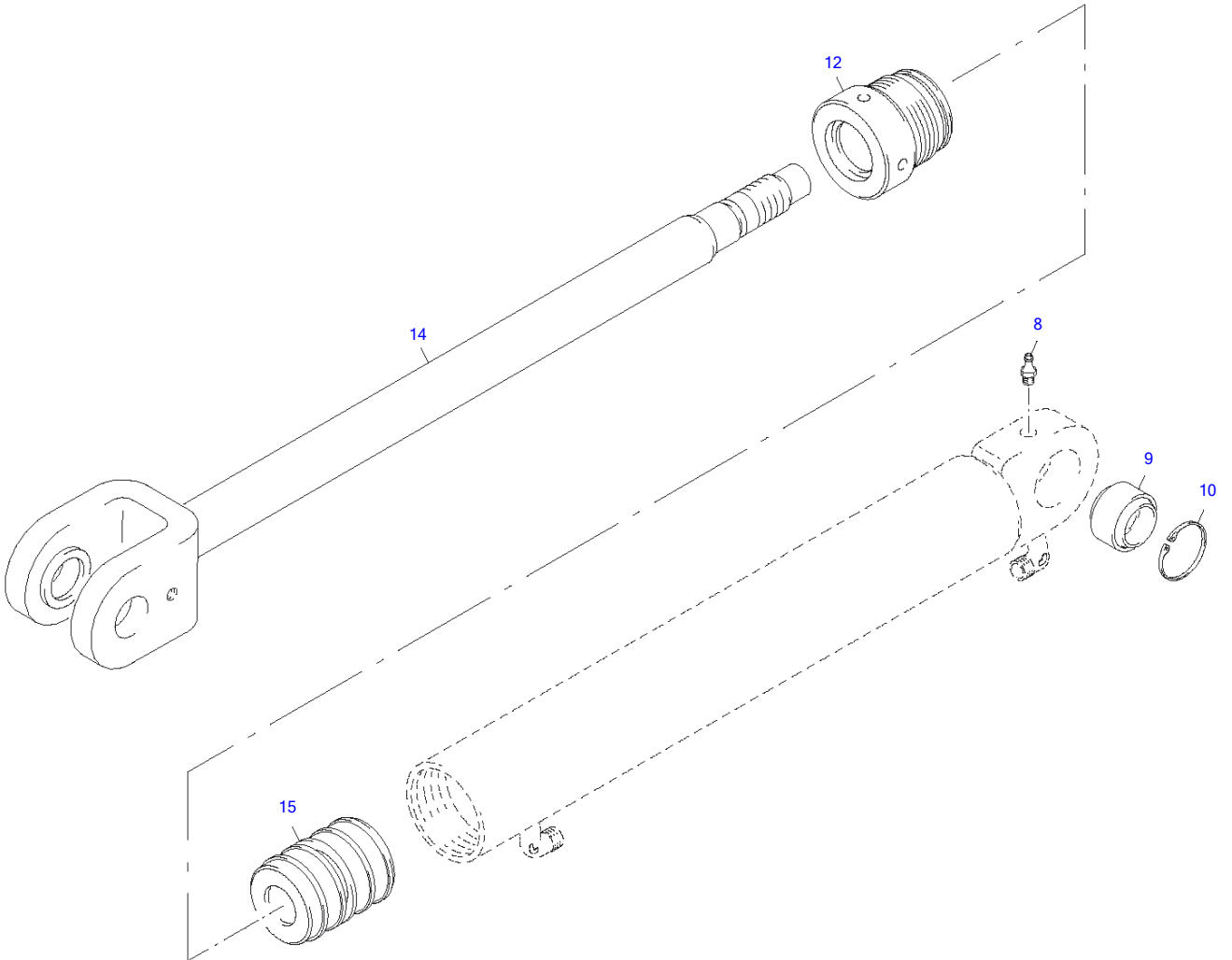


**Brake Throttle Valve**

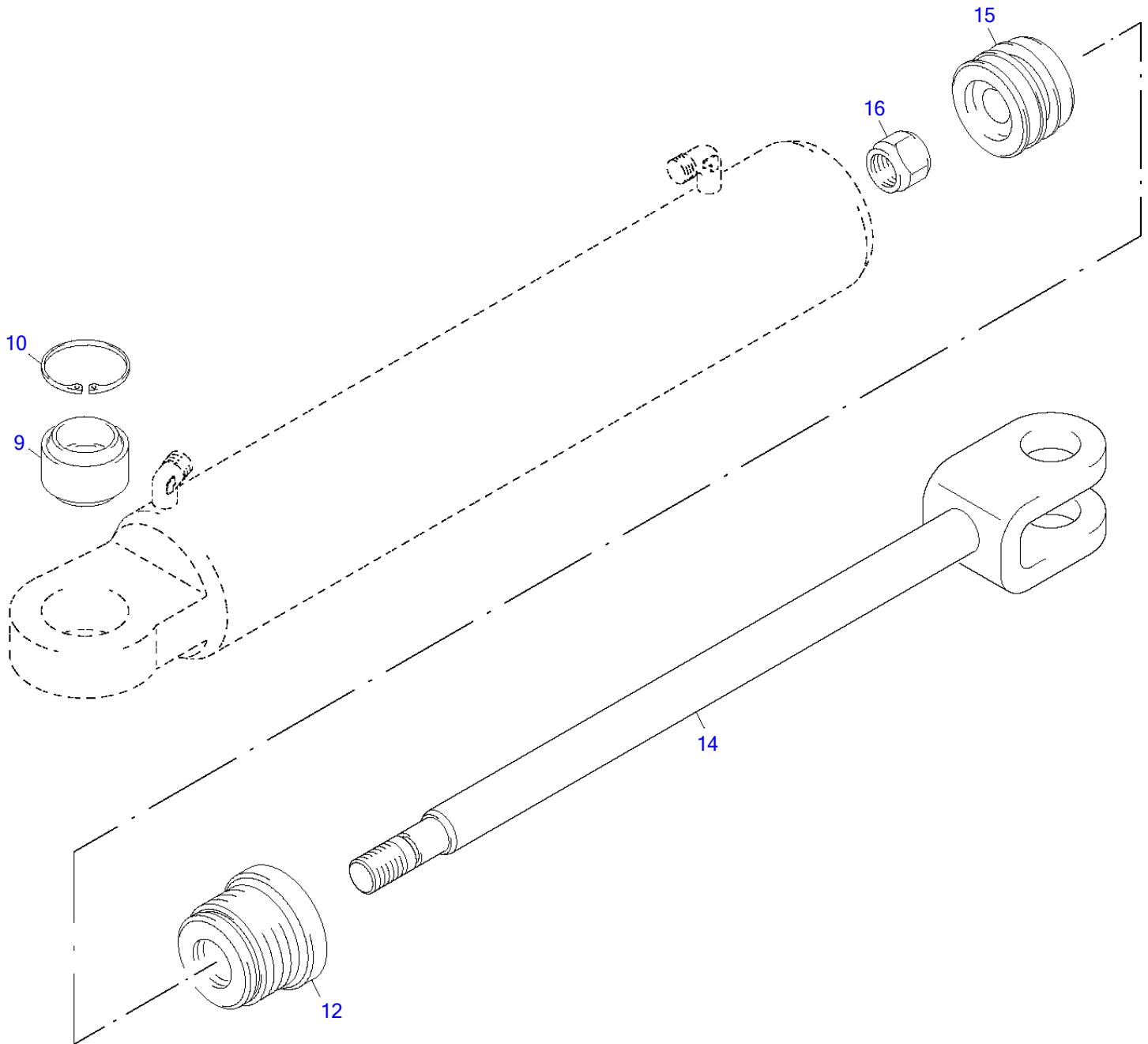
Item	Part number	Description	Q'ty	Chan.	Serial No.	Serv.	Remarks
	<b>8002252</b>	Brake Throttle Valve	1				
1	<b>1694986</b>	Screw Plug A3C	1				
2	<b>0893043</b>	Washer A3C	1				
3	<b>3960041</b>	Pressure Spring	1				
4	<b>0442888</b>	Threaded Pin A3C	2				
5	<b>0357908</b>	Screw Plug A3C	1				
6	<b>0314123</b>	Circlip	1				
7	<b>3960052</b>	Shim	1				
	<b>8011963</b>	Seal Kit Compl	1				



Item	Part number	Description	Working Cylinder				Remarks
			Q'ty	Chan.	Serial No.	Serv.	
	<b>3959537</b>	Working Cylinder	1				
8	<b>0324590</b>	Grease Nipple	1				
9	<b>0465830</b>	Spherical Bearing	2				
10	<b>0318069</b>	Circlip Tone 400	2				
11	<b>0303528</b>	Grease Nipple	1				
12	<b>1011890</b>	Cylinder Nut	1				
14	<b>3924956</b>	Piston Rod Compl	1				
15	<b>3925048</b>	Piston Guide Compl	1				
	<b>1074282</b>	Pack Set 80/50	1				



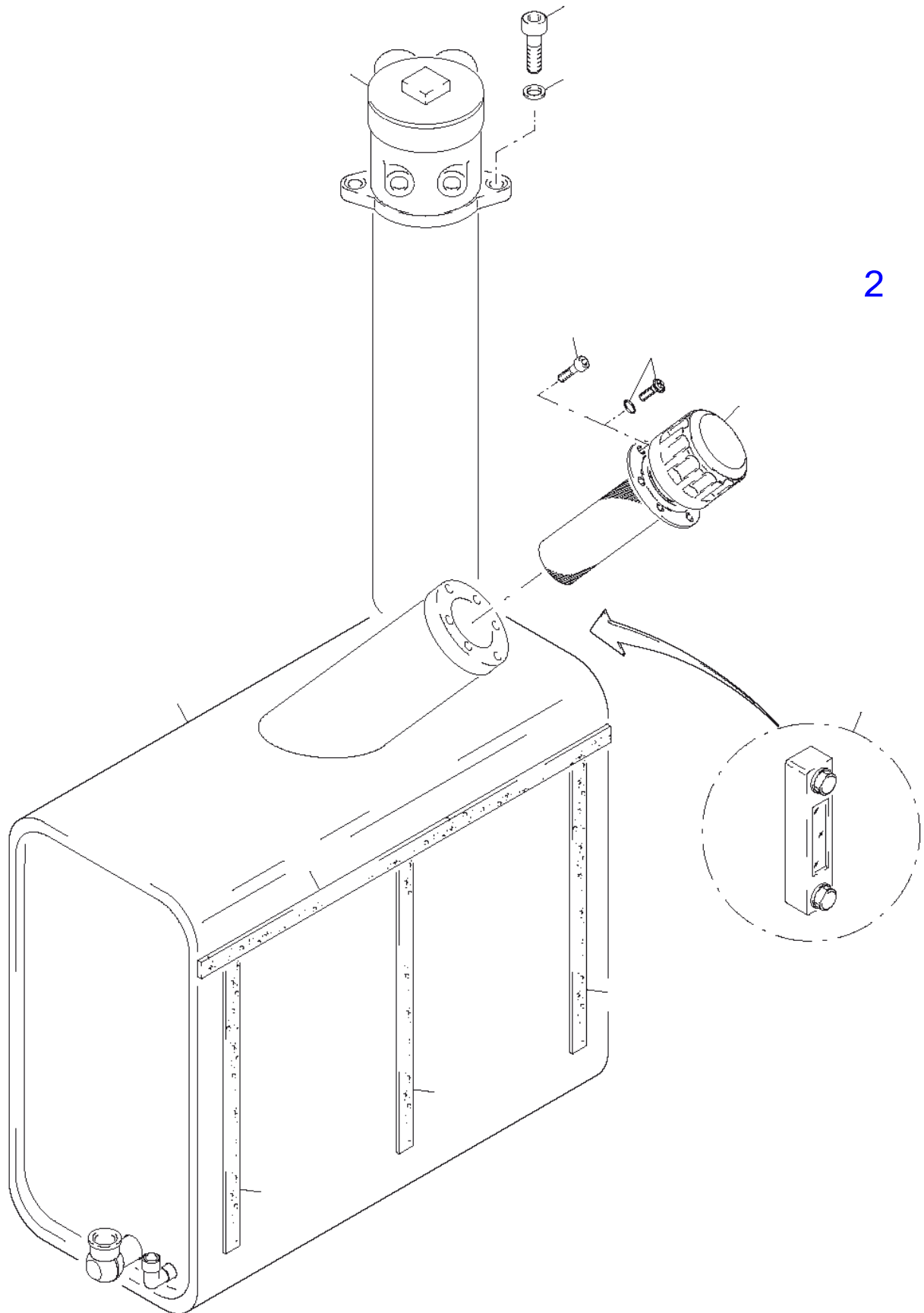
Item	Part number	Description	Lifting Cylinder				Remarks
			Q'ty	Chan.	Serial No.	Serv.	
	<b>3959526</b>	Lifting Cylinder	1				
8	<b>0324590</b>	Grease Nipple	1				
9	<b>0465830</b>	Spherical Bearing	1				
10	<b>0318069</b>	Circlip Tone 400	1				
12	<b>2909580</b>	Cylinder Nut	1				
14	<b>3924989</b>	Piston Rod Compl	1				
15	<b>3925026</b>	Piston Guide Compl	1				
	<b>2909660</b>	Packing Set 75/45	1				





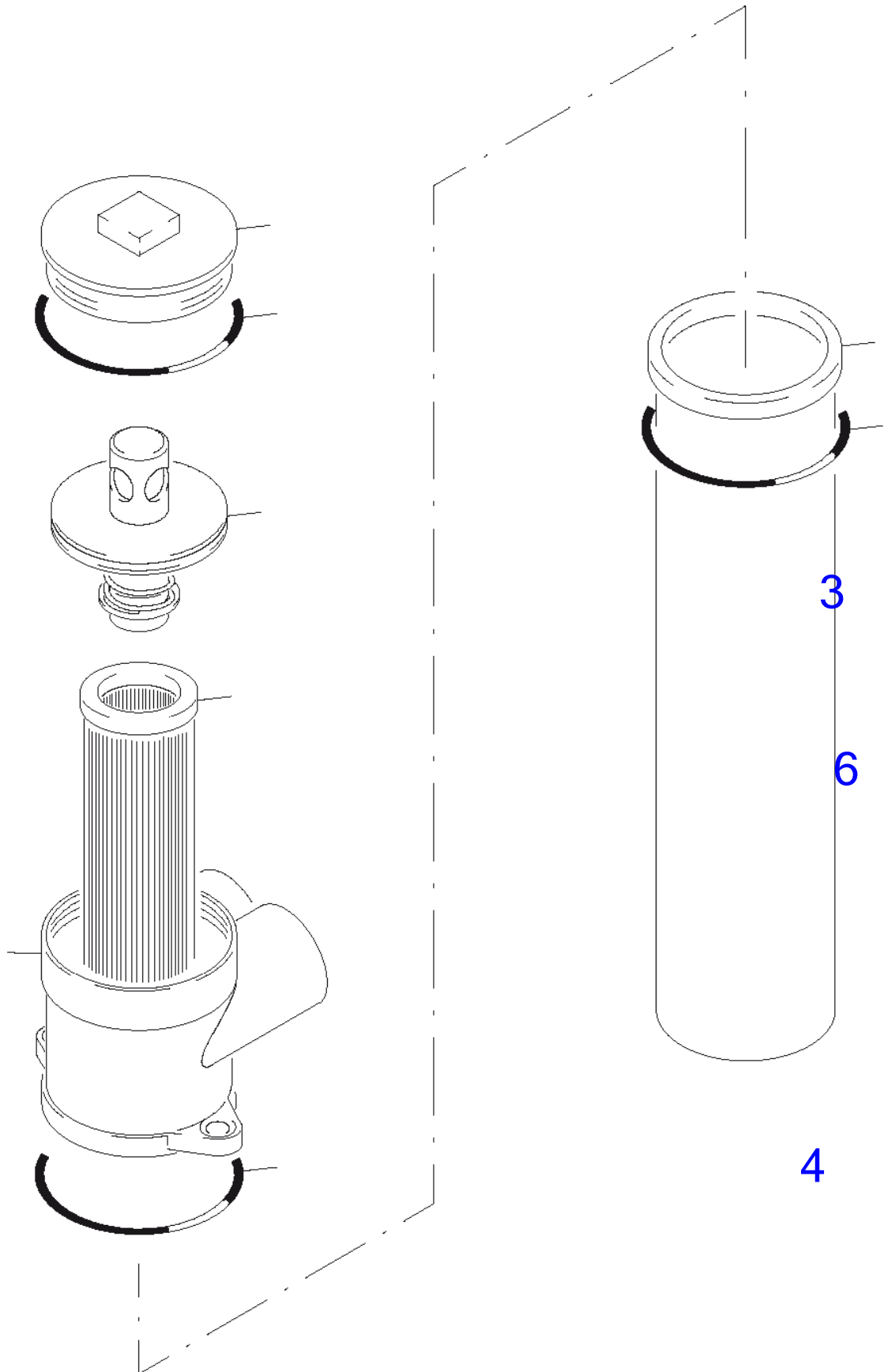
**Steering Cylinder**

Item	Part number	Description	Q'ty	Chan.	Serial No.	Serv.	Remarks
	<b>3959515</b>	Steering Cylinder	1				
9	<b>0447032</b>	Spherical Bearing	1				
10	<b>0318069</b>	Circlip Tone 400	1				
12	<b>0897650</b>	Cylinder Nut	1				
14	<b>3925117</b>	Piston Rod Compl	1				
15	<b>0897638</b>	Piston Guide Compl	1				
16	<b>0897627</b>	Nut	1				
	<b>0897672</b>	Packing Set 70/32	1				

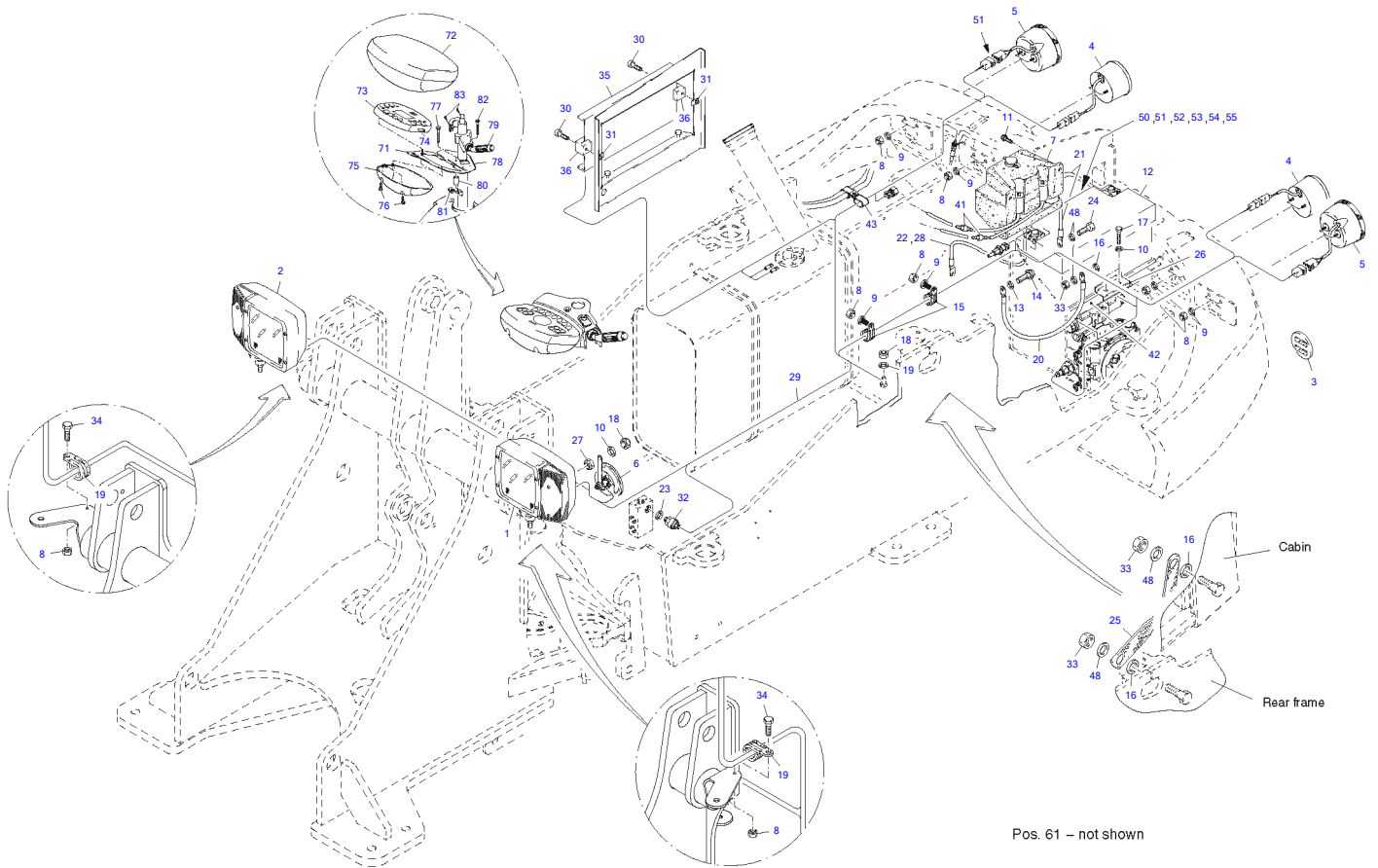


**Hydraulic Tank Compl**

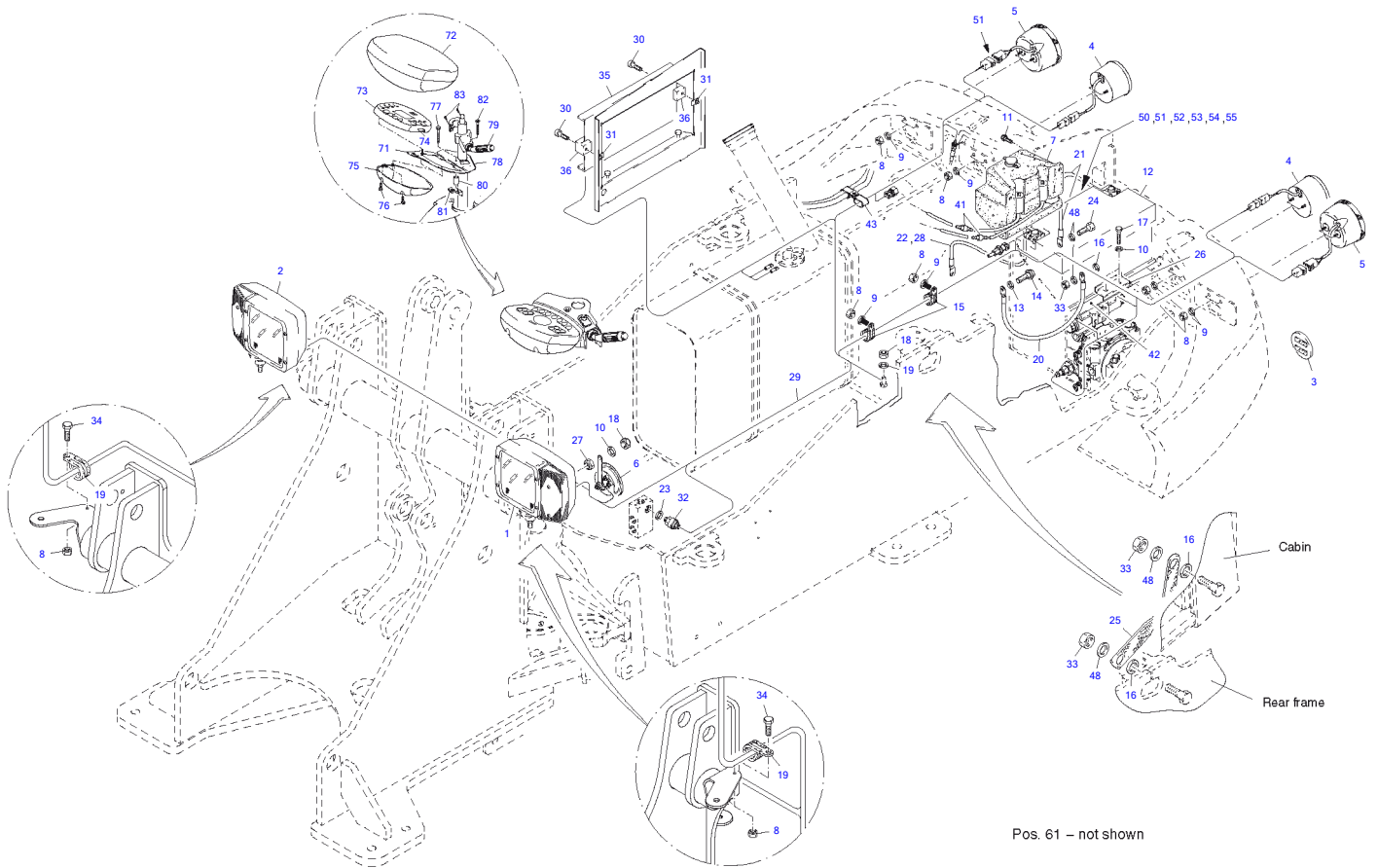
Item	Part number	Description	Q'ty	Chan.	Serial No.	Serv.	Remarks
	<b>5820062</b>	Hydraulic Tank Compl	1				
1	<b>8018420</b>	Hydraulic Tank	1				
2	<b>5820066</b>	Return Filter	1				
3	<b>5820136</b>	Filling Filter	1				
4	<b>3925322</b>	Sight Glass	1				
5	<b>0892984</b>	Hex Head Cap Screw	2				
6	<b>0909304</b>	Profile Rubber	1				
7	<b>0893054</b>	Washer A3C	1				
8	<b>8007607</b>	Flat Head Bolt ZN	6				
	<b>0314952</b>	O-Ring	6				
	<b>1306830</b>	Fill Head Screw A3C	6				



Item	Part number	Description	Return Filter			Remarks
			Q'ty	Chan.	Serial No.	
	<b>5820066</b>	Return Filter	1			
1	<b>8012354</b>	Filter Element	1			
2	<b>8013986</b>	Outer Pie Jacket	1			
3	<b>8013987</b>	Cover	1			
4	<b>8013988</b>	Filter Holder Compl	1			
5	<b>8013989</b>	Housing	1			
6	<b>2917842</b>	O-Ring	1			
8	<b>8007687</b>	O-Ring	1			
9	<b>0382476</b>	O-Ring	1			



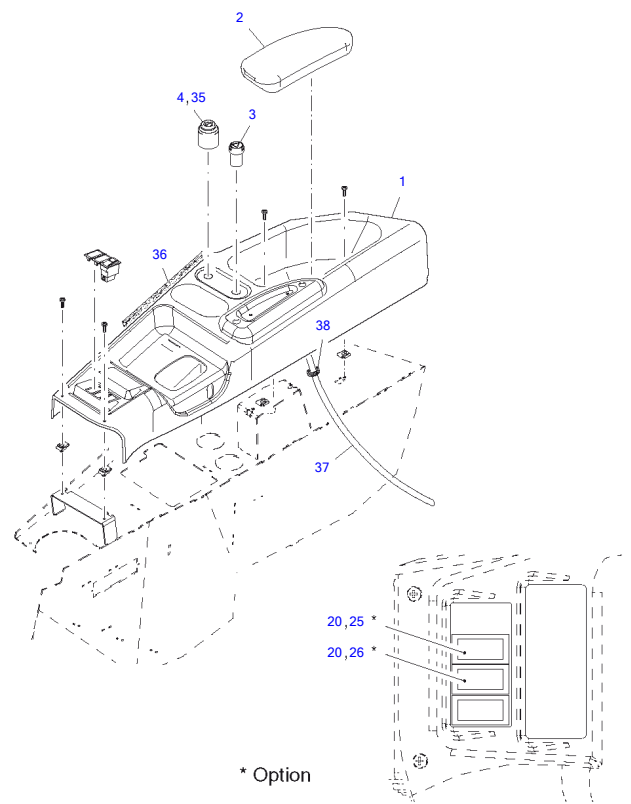
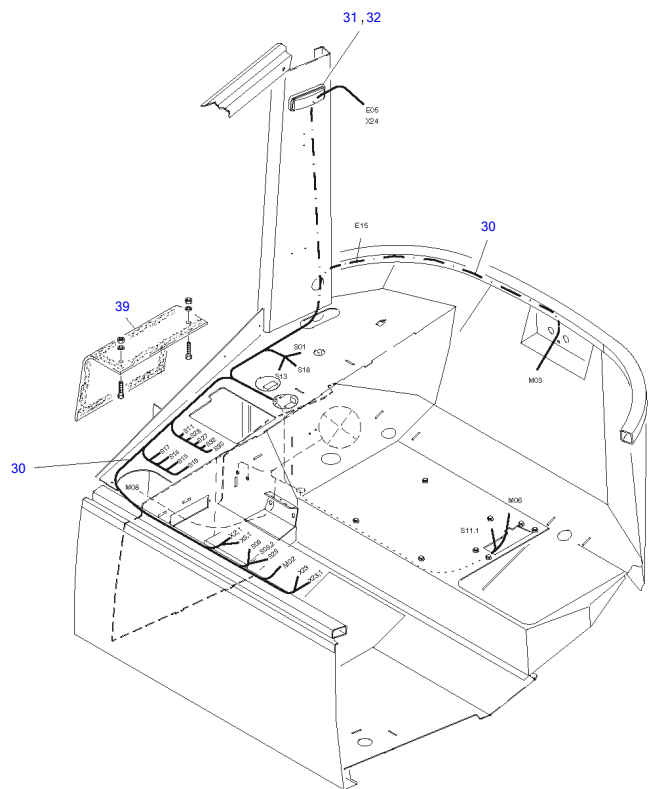
<b>Electric System</b>					
Item	Part number	Description	Q'ty	Chan.	Serial No. Serv. Remarks
	<b>5820074</b>	Electric System	1		
1	<b>3928789</b>	Left Headlight	1		
2	<b>3928790</b>	Right Headlight	1		
3	<b>3931579</b>	Rear Reflector	2		
4	<b>3927197</b>	Rear Light 12V	2		
	<b>3986267</b>	Glass Cover	1		
	<b>0388450</b>	Incandescent Lamp P21W 12V 21W	2		
5	<b>8012422</b>	Rear Reflector Compl	2		
	<b>8014405</b>	Reflector Glass	2		
	<b>0335311</b>	Incandescent Lamp P25/2 12V 5W	2		
	<b>0388450</b>	Incandescent Lamp P21W 12V 21W	2		
6	<b>4666308</b>	Signal Horn 12V	1		
7	<b>2995299</b>	2 Pump Container	1		
	<b>2995813</b>	Pump	2		
	<b>2995824</b>	Cover	1		
	<b>2995835</b>	Socket	2		
8	<b>0487336</b>	Nut A3C	12		
9	<b>2992014</b>	Washer A3C	10		
10	<b>2481254</b>	Ripp Washer A3C	4		
11	<b>8009782</b>	Serrated Hex Head Screw	2		
12	<b>0441752</b>	Battery	1		
13	<b>1316047</b>	Washer A3C	1		
14	<b>8010301</b>	Bolt	1		
15	<b>2443576</b>	Clip Norma	2		
16	<b>0492935</b>	Tooth Lock Washer A3C	2		
17	<b>1307079</b>	Hex Head Screw A3C	2		
18	<b>0399760</b>	Nut A3C	2		
19	<b>1078004</b>	Clip Norma	2		
20	<b>8012324</b>	Ground Strap	1		
21	<b>8012321</b>	Ground Strap	1		
22	<b>8012325</b>	Cable Compl	1		
23	<b>0321779</b>	Usit Ring U	1		
24	<b>8003057</b>	Serrated Hex Head Screw	1		
25	<b>8015870</b>	Ground Strap	1		
26	<b>1787217</b>	Battery Holder	1		
27	<b>0893167</b>	Nut A3C	1		
28	<b>0417069</b>	Starter Protect Cap	1		
29	<b>8012334</b>	Basic Unit Cable Set	1		
30	<b>1658131</b>	Hex Head Cap Screw	2		
31	<b>0478675</b>	Holder Nut	2		
32	<b>3963555</b>	Stop Light Switch	1		
33	<b>0327297</b>	Nut A3C	3		
34	<b>2982534</b>	Serrated Hex Head Screw	2		
35	<b>8008597</b>	Printed Circuit Compl	1		
36	<b>8000924</b>	Holder	2		
41	<b>1366865</b>	Non Return Valve	2		
42	<b>2457425</b>	Plate	1		
43	<b>2443587</b>	Clip Norma	1		
50	<b>3929586</b>	Relay	1		
51	<b>8007601</b>	Lens Head Screw	3		
52	<b>0327286</b>	Nut A3C	3		
53	<b>1719248</b>	Fuse 7.5 AMP	1		
54	<b>2980769</b>	Fuse Holder	1		
55	<b>2980781</b>	Fuse Plate	1		
61	<b>8012901</b>	Kit Set	1		
71	<b>8012789</b>	Instrument Panel	1		
72	<b>8012803</b>	Covering	1		
	<b>8000174</b>	Lock	1		
	<b>8001887</b>	Key	1		
	<b>0909304</b>	Profile Rubber 200 MM	1		
73	<b>8008592</b>	Display Compl	1		
	<b>8013964</b>	Incandescent Lamp	1		
	<b>0335366</b>	Incandescent Lamp	1		
	<b>8013963</b>	Incandescent Lamp	14		
74	<b>3956250</b>	Round Cord 655 MM	1		
75	<b>8012786</b>	Instrument Panel	1		
76	<b>3754416</b>	Lens Head Screw A3R	4		
77	<b>3976607</b>	Countersunk Screw A3C	1		





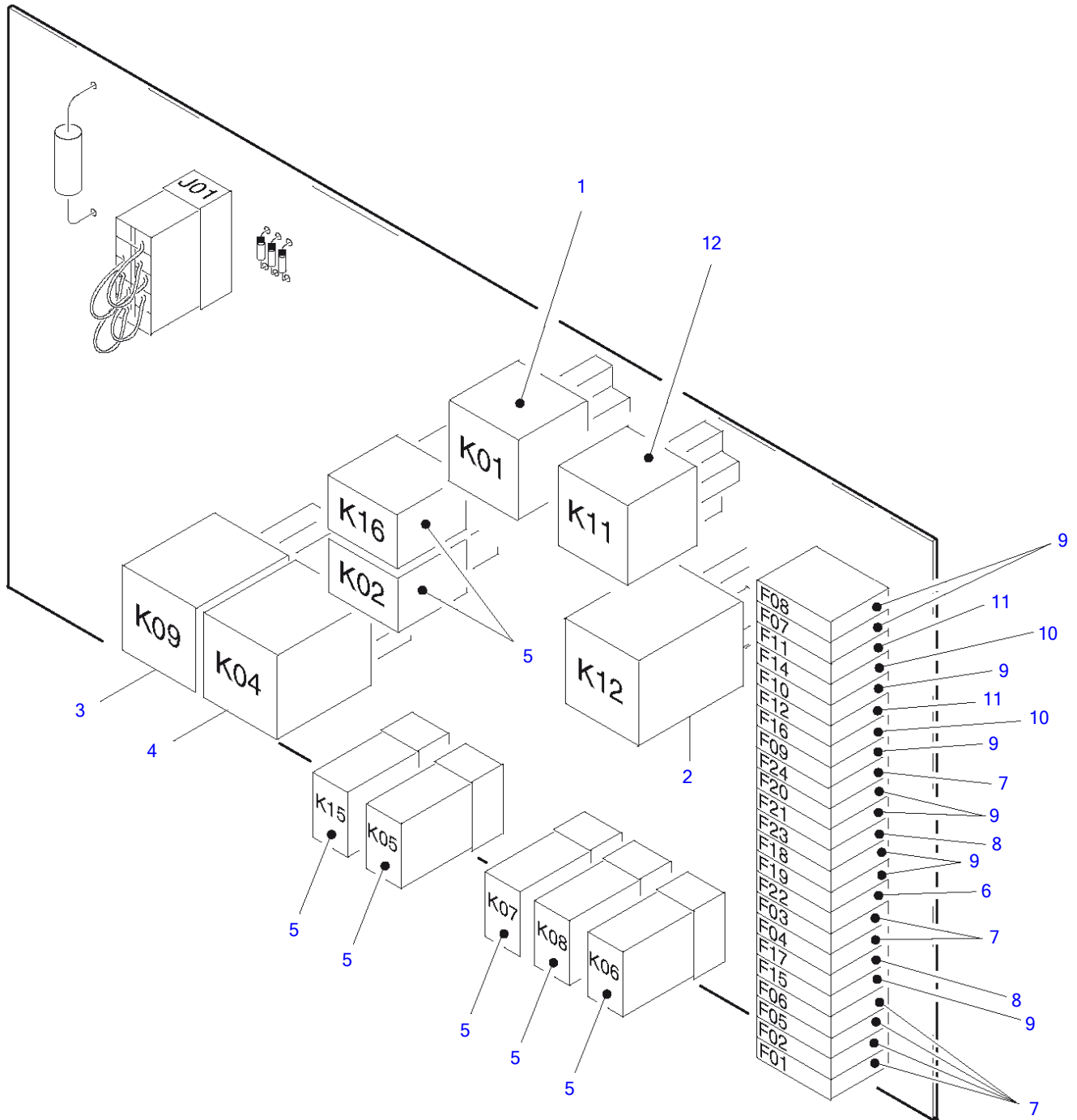
**Electric System**

Item	Part number	Description	Q'ty	Chan.	Serial No.	Serv.	Remarks
78	<b>0935113</b>	Profile Rubber 900 MM	1				
79	<b>3938430</b>	Switch	1				
	<b>8013648</b>	Electric System	1				
80	<b>8016817</b>	Pipe	1				
81	<b>0478675</b>	Holder Nut	1				
82	<b>3952905</b>	Hex Head Cap Screw	4				
83	<b>2607358</b>	Hex Head Cap Screw	2				



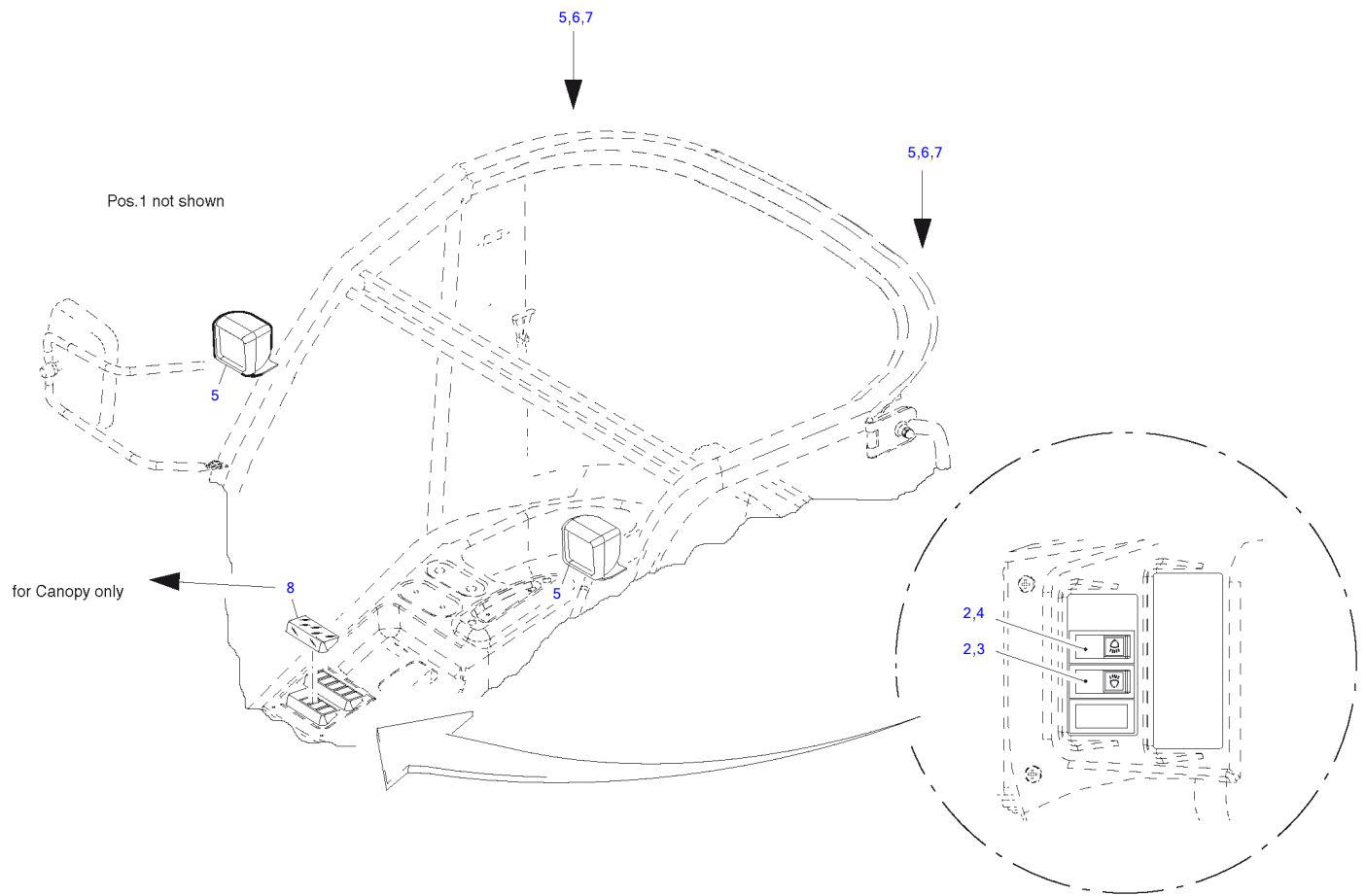
**Electric System Canopy**

Item	Part number	Description	Q'ty	Chan.	Serial No.	Serv.	Remarks
	<b>8016811</b>	Electric System Canopy	1				
1	<b>8016813</b>	Right Instrument Panel Compl	1				
	<b>8016814</b>	Right Instrument Panel	1				
2	<b>8013350</b>	Cabin Frame	1				
3	<b>3933128</b>	Switch 12V	1				
4	<b>7500775</b>	Ignition Lock	1				
	<b>7500201</b>	Key	1				
20	<b>4674353</b>	Switch 12V	2				
25	<b>1719000</b>	Decal	1				
26	<b>1718996</b>	Decal	1				
30	<b>8014378</b>	Harness	1				
31	<b>8014379</b>	Inside Light	1				
	<b>0448646</b>	Incandescent Lamp Soffitte	1				
32	<b>8014371</b>	Lens Head Screw A3R	2				
35	<b>3953268</b>	Ignition Lock Covering	1				
36	<b>0909304</b>	Profile Rubber 600 MM	2				
37	<b>2986947</b>	Heating Hose 750 MM	1				
38	<b>8013589</b>	Duct Socket	1				
39	<b>8015103</b>	Relay Cover	1				



**Printed Circuit Board**

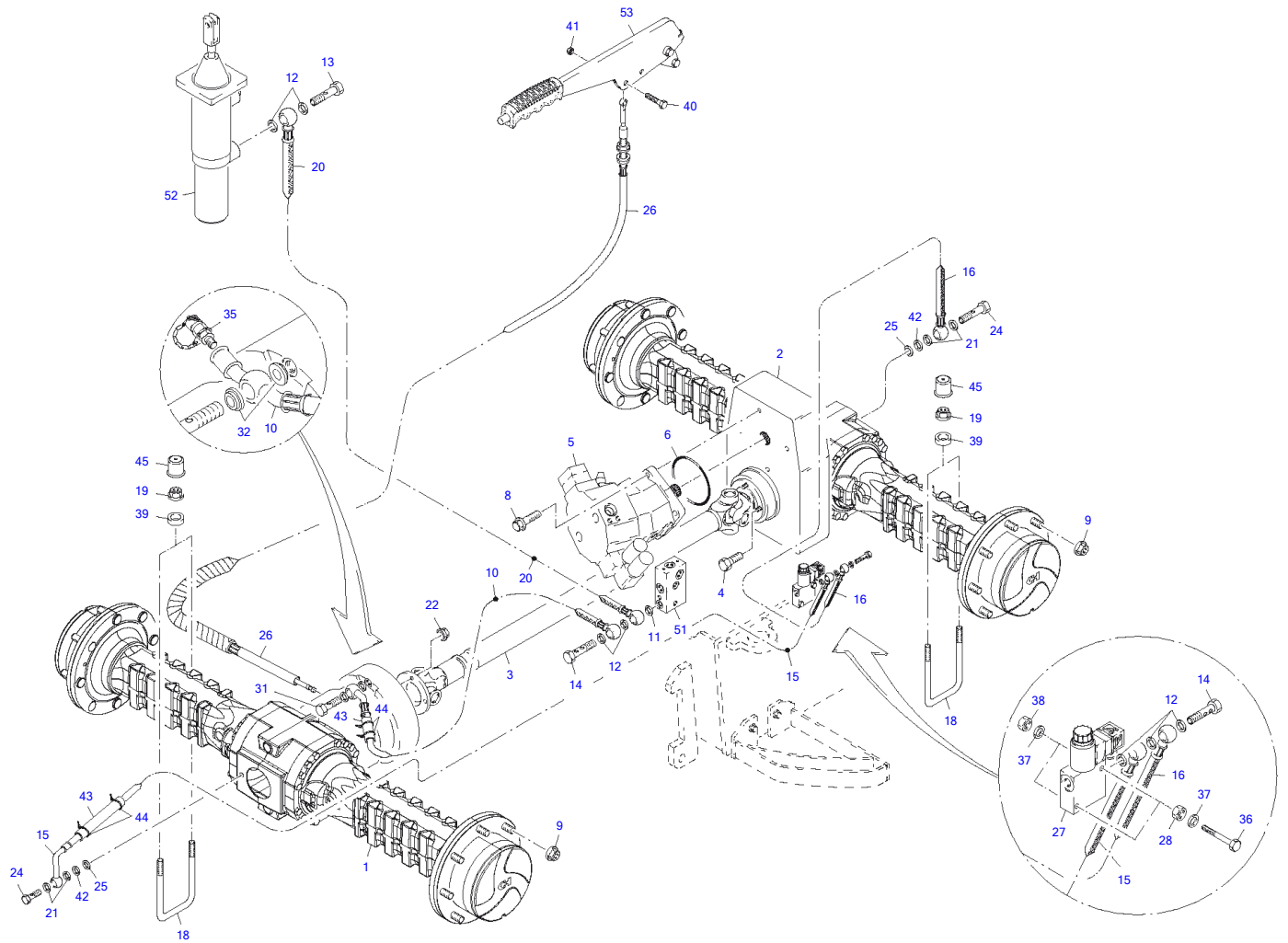
Item	Part number	Description	Q'ty	Chan.	Serial No.	Serv.	Remarks
	<b>8008597</b>	Printed Circuit Board	1				
1	<b>8009370</b>	Relay	1				
2	<b>8005320</b>	Time Control Unit	1				
3	<b>3935277</b>	Signal Transmitter	1				
4	<b>8008996</b>	Relay Switch 12V 10/15Amp	1				
5	<b>1724325</b>	Relay	7				
6	<b>1719237</b>	Fuse 5.0 Amp	1				
7	<b>1719248</b>	Fuse 7.5 Amp	7				
8	<b>1719259</b>	Fuse 10.0 Amp	2				
9	<b>1719260</b>	Fuse 15.0 Amp	9				
10	<b>1719464</b>	Fuse 25.0 Amp	2				
11	<b>3933117</b>	Fuse 30.0 Amp	2				
12	<b>8009368</b>	Relay 12V 20/30Amp	1				



**Working Headlights**

Item	Part number	Description	Q'ty	Chan.	Serial No.	Serv.	Remarks
	<b>8012903</b>	Working Headlights	1				
1	<b>8012894</b>	Cable Set	1				
2	<b>4674353</b>	Switch 12V	2				
3	<b>1718996</b>	Decal	1				
4	<b>1719000</b>	Decal	1				
5	<b>8012513</b>	Working Headlight	4				
6	<b>8012891</b>	Holder	2				
7	<b>0893270</b>	Hex Head Screw A3C	4				
8	<b>8012808</b>	Protecting Cap	1				
	<b>8012816</b>	Working Headlights Front	1				
1	<b>8012893</b>	Cable Set	1				
2	<b>4674353</b>	Switch 12V	1				
3	<b>1718996</b>	Decal	1				
4	<b>8012513</b>	Working Headlight	2				
8	<b>8012808</b>	Protecting Cap	1				

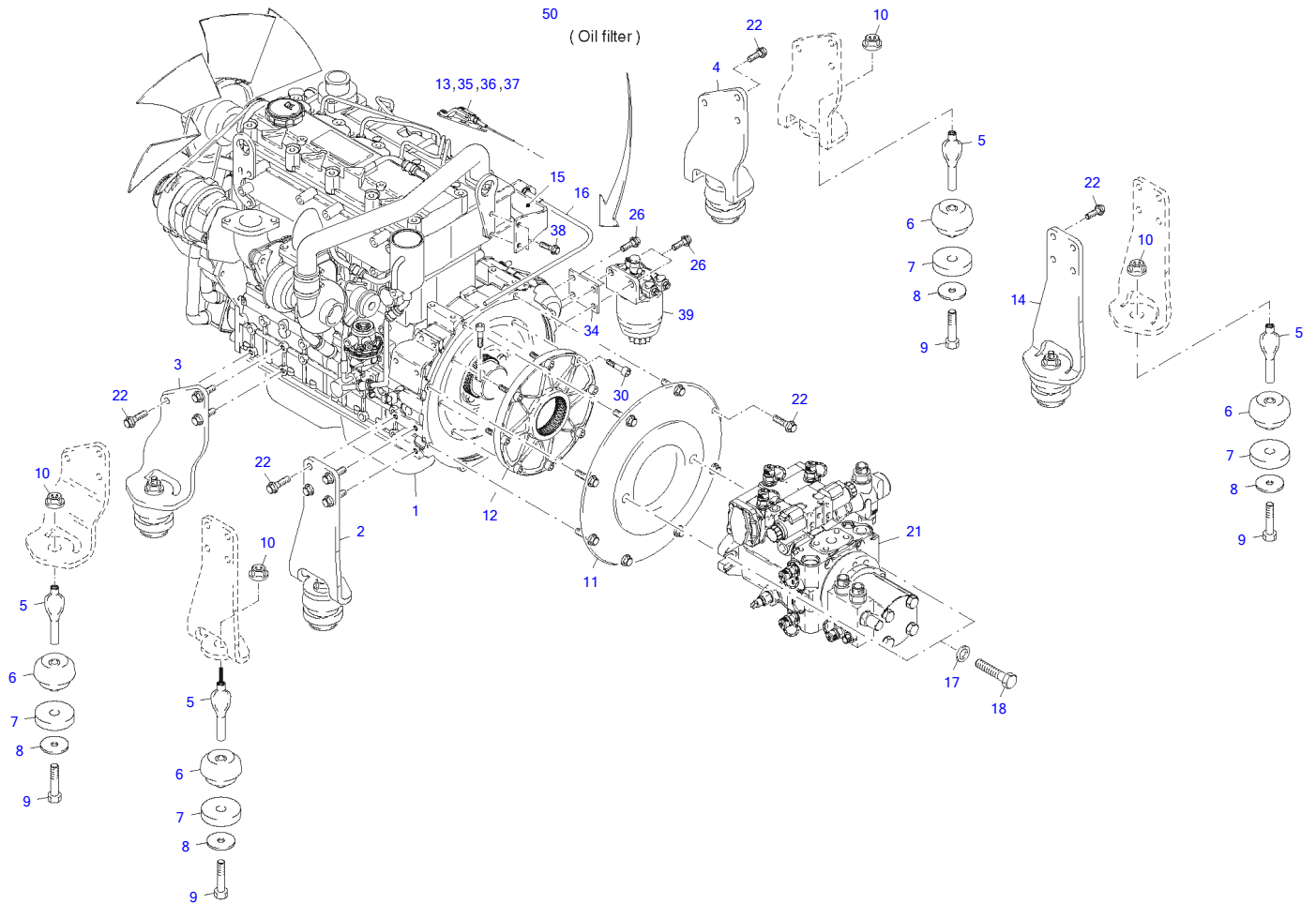
TW60 Book No. 8017235 01.10 S/N E106776  
Drive Set





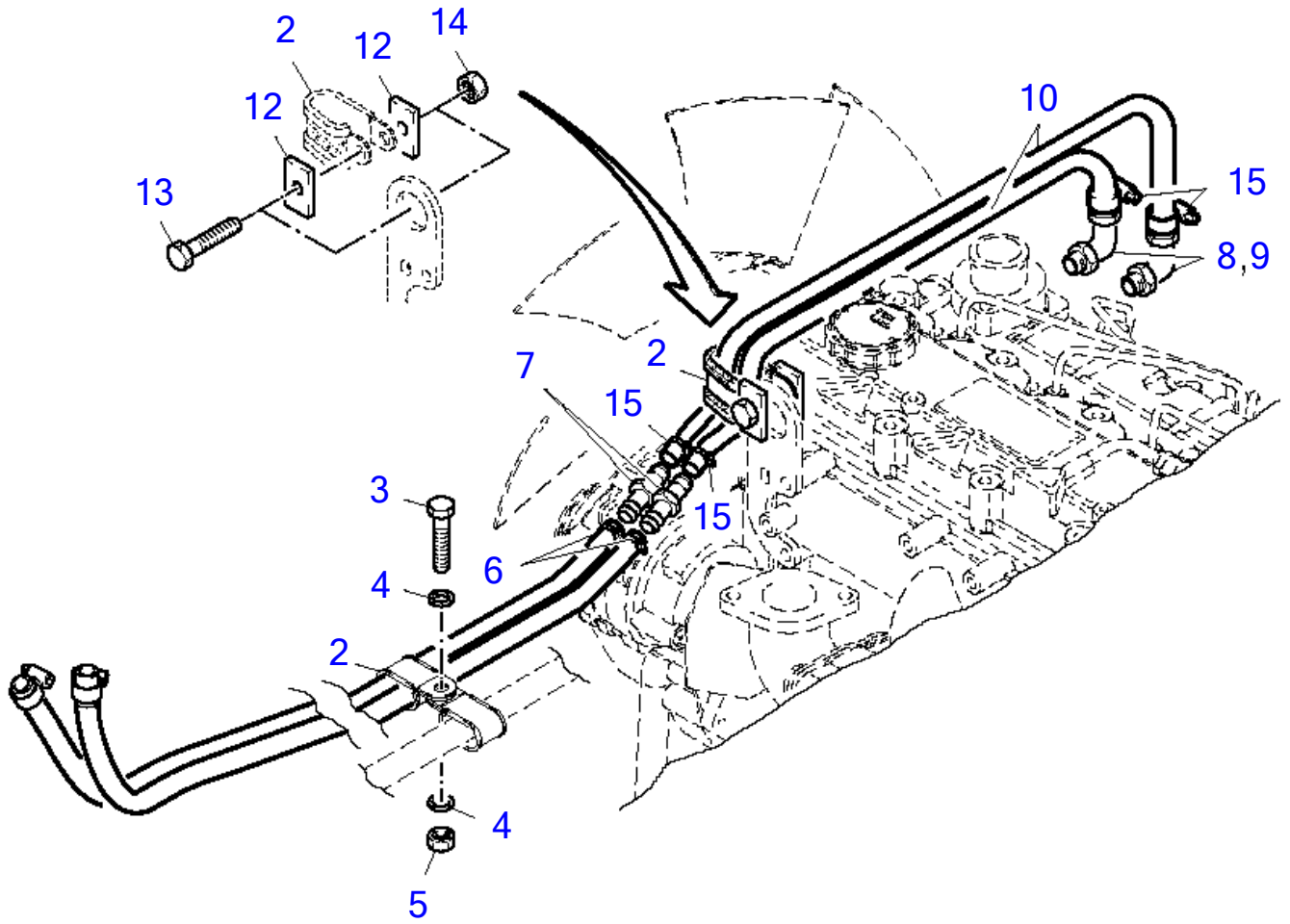
Item	Part number	Description	Q'ty	Chan.	Serial No.	Serv.	Remarks
	<b>5820056</b>	Drive Set	1				
1	<b>5820057</b>	Front Axle	1				
2	<b>5820058</b>	Rear Axle	1				
3	<b>8012141</b>	Universal Joint Shaft	1				
4	<b>2997199</b>	Serrated Hex Head Screw	6				
5	<b>8019523</b>	Oil Motor	1				
6	<b>0330270</b>	O-Ring	1				
8	<b>2993151</b>	Serrated Hex Head Screw	4				
9	<b>1705651</b>	Flanged Ball Nut A3C	32				
10	<b>8006383</b>	HP-Hose 6 X 2000	1				
11	<b>3768296</b>	Gasket A3C	1				
12	<b>0350898</b>	Usit Ring U	8				
13	<b>0862944</b>	Female Screw A3C	1				
14	<b>2980827</b>	Female Screw A3C	2				
15	<b>5820150</b>	Hose Line 6 X 2400	1				
16	<b>2973453</b>	Hose Line 5 X 900	1				
18	<b>8002505</b>	Clamp Strap	4				
19	<b>3932934</b>	Nut	8				
20	<b>5820160</b>	HP-Hose 6 X 500	1				
21	<b>0373588</b>	Usit Ring U	4				
22	<b>2997202</b>	Serrated Nut	6				
24	<b>3929815</b>	Female Screw S A3C	2				
25	<b>0858506</b>	Usit Ring U	2				
26	<b>5820196</b>	Hand Brake Rope	1				
27	<b>3925526</b>	Way Valve 3/2 12V	1				
	<b>2916625</b>	Magnet	1				
	<b>2983842</b>	Packing Set	1				
28	<b>0893167</b>	Nut A3C	2				
31	<b>8004251</b>	Female Screw A3C	1				
32	<b>8004852</b>	Gasket A3C	2				
35	<b>1722663</b>	Screw Coupling A3C	1				
36	<b>0893327</b>	Hex Head Screw A3C	2				
37	<b>2992014</b>	Ripp Washer A3C	4				
38	<b>0487336</b>	Nut A3C	2				
39	<b>5820171</b>	Spacer	8				
40	<b>0474648</b>	Bolt	1				
41	<b>0804897</b>	Nut A3C	1				
42	<b>3938849</b>	Washer A3C	2				
43	<b>2014395</b>	Hose 200 MM	2				
44	<b>0471678</b>	Cable Band	4				
45	<b>8018702</b>	Protecting Cap	8				
51	<b>8002252</b>	Brake Throttle Valve	1				
52	<b>8014176</b>	Main Brake Cylinder	1				
53	<b>8014176</b>	Hand Brake Lever	1				

TW60 Book No. 8017235 01.10 S/N E106776  
Diesel Engine Compl



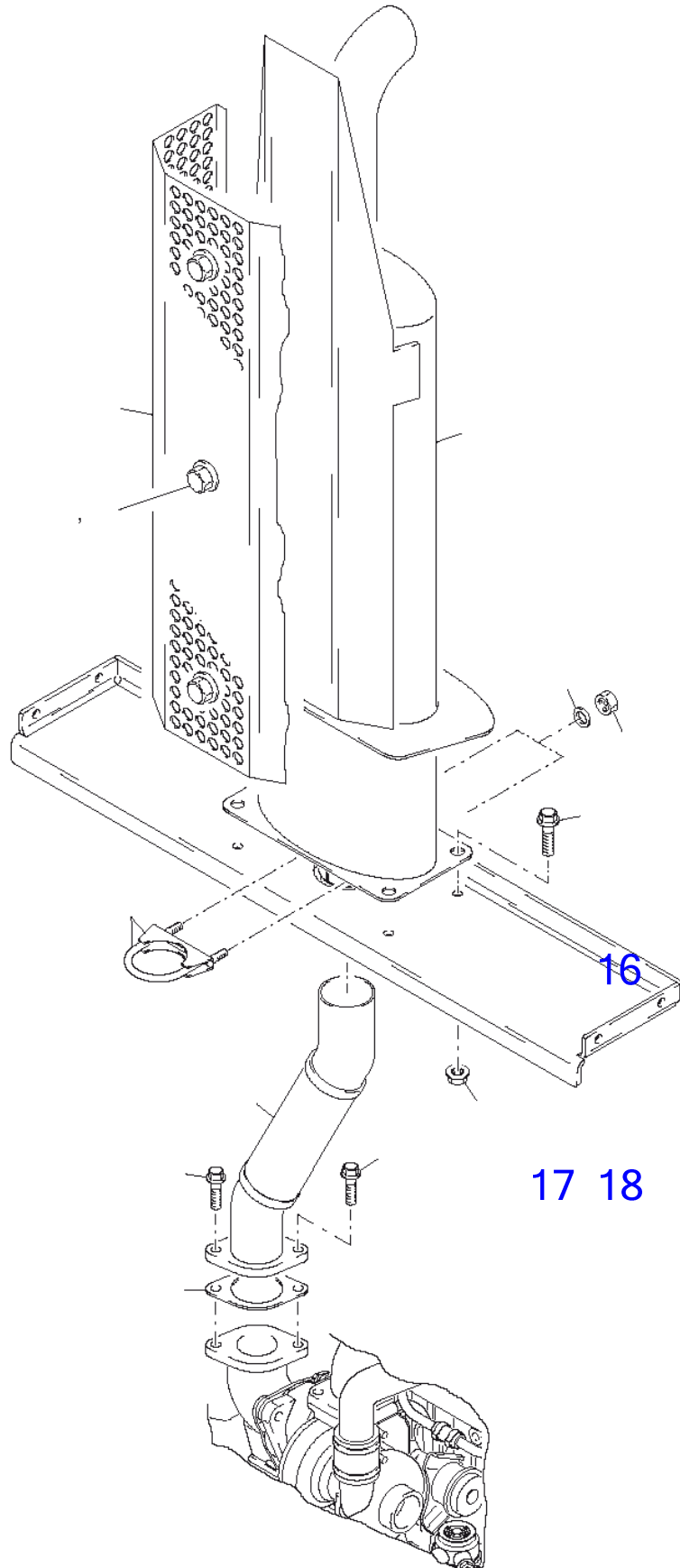
**Diesel Engine Compl**

Item	Part number	Description	Q'ty	Chan.	Serial No.	Serv.	Remarks
	<b>8016801</b>	Diesel Engine Compl	1				
1	<b>8019459</b>	Deutz Engine 12V	1				
2	<b>8016718</b>	Motor Bearing	1				
3	<b>8016723</b>	Motor Bearing	1				
4	<b>8016721</b>	Motor Bearing	1				
5	<b>8009129</b>	Bush	4				
6	<b>8012143</b>	Rubber Element	4				
7	<b>3924241</b>	Rubber Washer	4				
8	<b>8012476</b>	Washer A3C	4				
9	<b>0395653</b>	Bolt	4				
10	<b>2481652</b>	Serrated Nut	4				
11	<b>8016731</b>	Flange SAE 5	1				
12	<b>5820135</b>	Coupling Bowex	1				
13	<b>1699527</b>	Yoke	1				
14	<b>8016719</b>	Motor Bearing	1				
15	<b>8017248</b>	Holder	1				
16	<b>3950209</b>	Cable Pull	1				
17	<b>2905928</b>	Washer HV	2				
18	<b>3962372</b>	V-Plus Bolt	2				
21	<b>5820115</b>	Oil Pressure Pump Compl	1				
22	<b>3960789</b>	Hex Head Cap Screw	22				
26	<b>8003057</b>	Hex Head Cap Screw	4				
30	<b>2994743</b>	Self- Locking Scre	8				
32	<b>5820195</b>	Hose Coupling	2				
34	<b>8017198</b>	Holder	1				
35	<b>0843678</b>	Charging Pin A3C	1				
36	<b>2989984</b>	Flat Head Bolt A3R	1				
37	<b>8017247</b>	Plate	1				
38	<b>8009775</b>	Serrated Hex Head Screw	2				
39	<b>8018799</b>	Filter Element	1				
50	<b>8018798</b>	Filter	1				



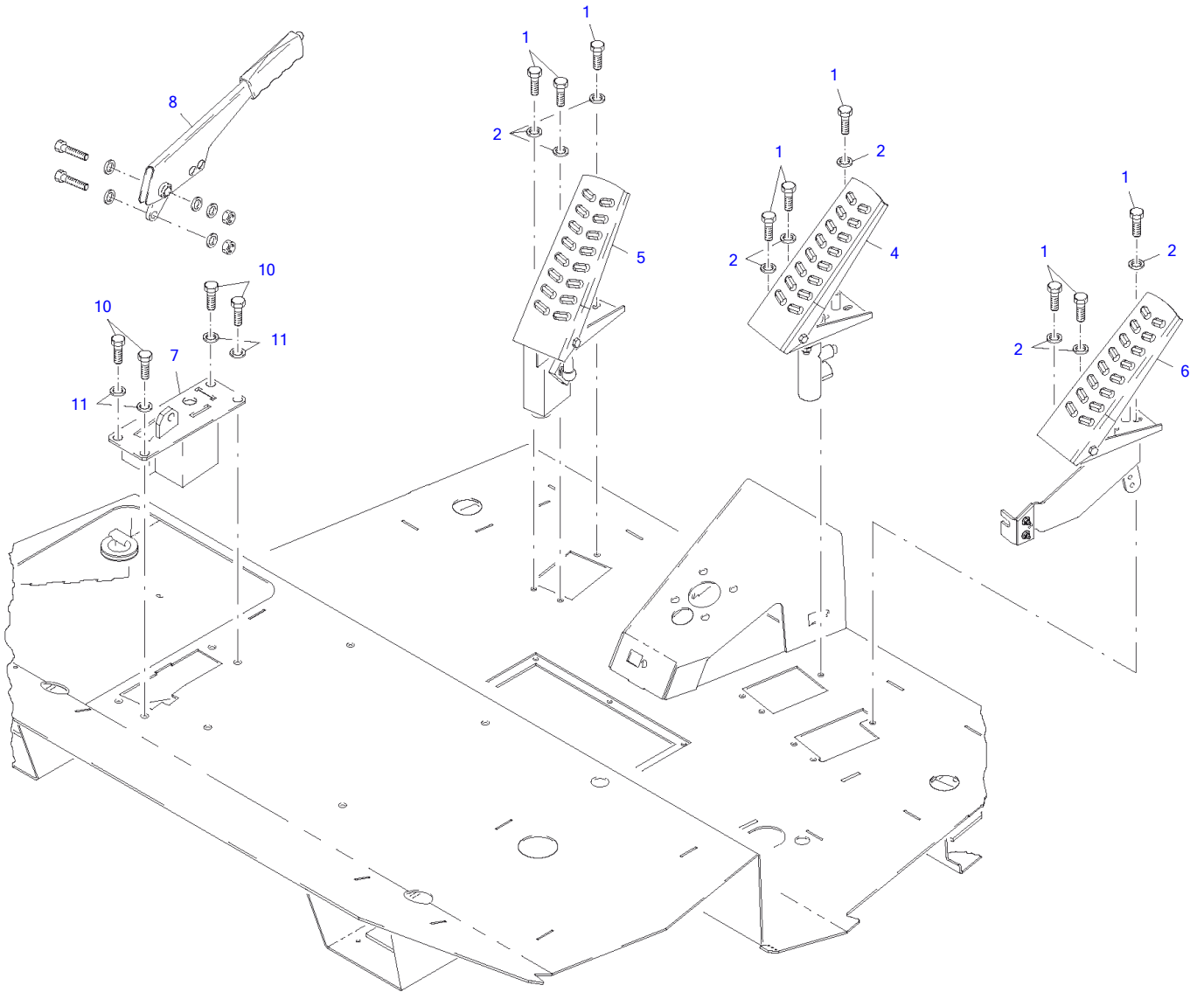
Pos. 1 – not shown

Item	Part number	Description	Heating Kit				Remarks
			Q'ty	Chan.	Serial No.	Serv.	
	<b>8020983</b>	Heating Kit	1				
1	<b>8020453</b>	Heating Kit Set	1				
2	<b>8000103</b>	Clip Norma	1				
3	<b>0893214</b>	Hex Head Screw A3C	1				
4	<b>0863138</b>	Washer A3C	2				
5	<b>0399760</b>	Hex Nut A3C	1				
6	<b>8006226</b>	Clip Norma	6				
7	<b>5820195</b>	Hose Coupling	2				
8	<b>8010302</b>	Hose Nipple	2				
9	<b>8010304</b>	Screw Connection A3C	2				
10	<b>2912585</b>	Hose 1000 MM	1				
11	<b>5820193</b>	Screw Connection	2				
12	<b>0839605</b>	Plate	2				
13	<b>1622048</b>	Hex Head Screw A3C	1				
14	<b>1722787</b>	Serrated Nut	1				
15	<b>2981566</b>	Clip Norma	4				



**Exhaust System**

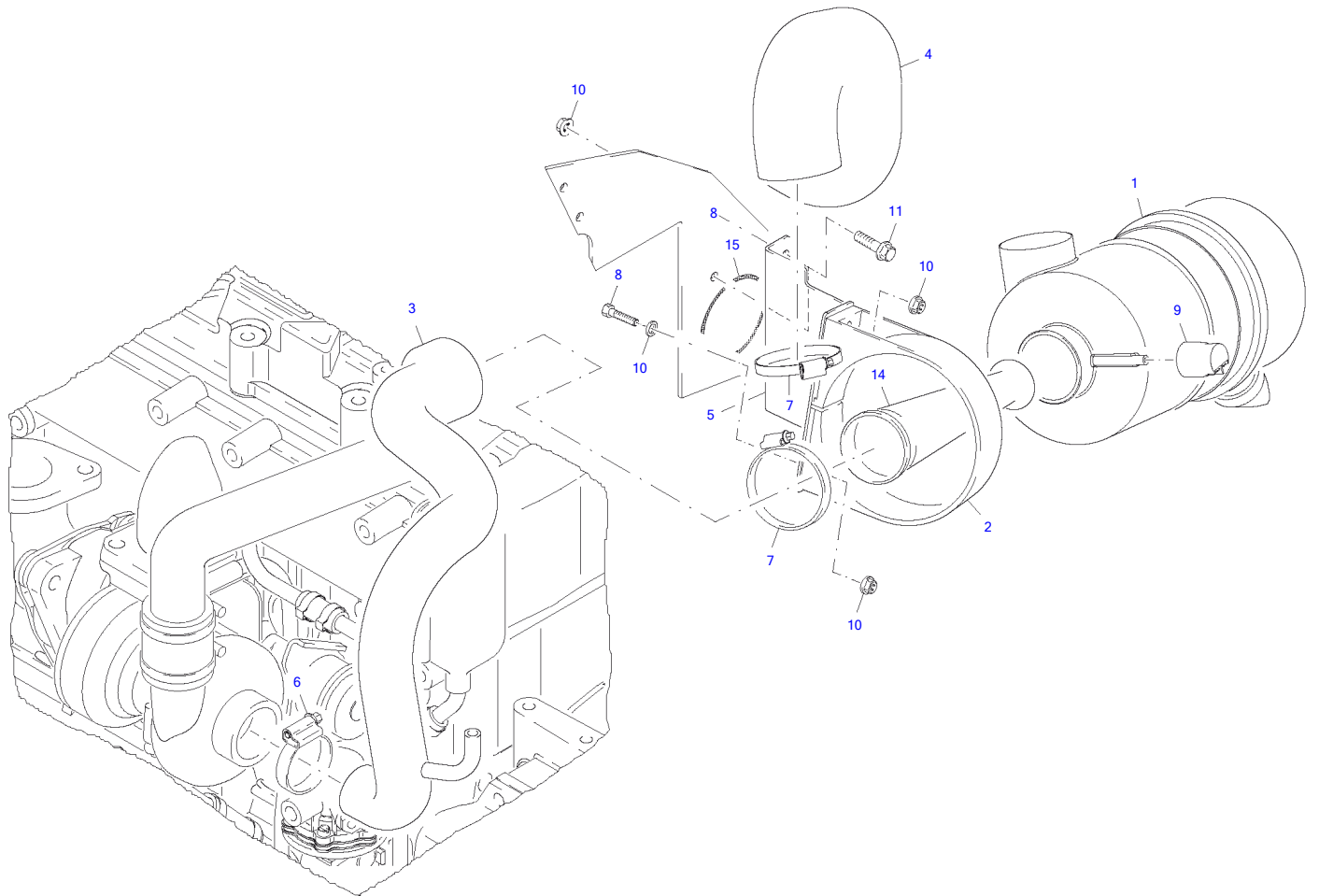
Item	Part number	Description	Q'ty	Chan.	Serial No.	Serv.	Remarks
	<b>8016950</b>	Exhaust System	1				
1	<b>8013758</b>	Sound Absorber	1				
2	<b>2981851</b>	Bracket Clip	1				
3	<b>8003057</b>	Serrated Hex Head Screw	4				
4	<b>3960778</b>	Serrated Nut	4				
5	<b>8018392</b>	Exhasut Pipe	1				
6	<b>3939464</b>	Ripp Washer A3C	2				
10	<b>8018888</b>	Gasket	1				
15	<b>0893167</b>	Nut A3C	2				
16	<b>8013833</b>	Guard Plate Compl	1				
	<b>8013753</b>	Protecting Plate	1				
17	<b>0893452</b>	Hex Head Screw A3C	12				
18	<b>2992014</b>	Ripp Washer A3C	12				





**Pedal Machanism**

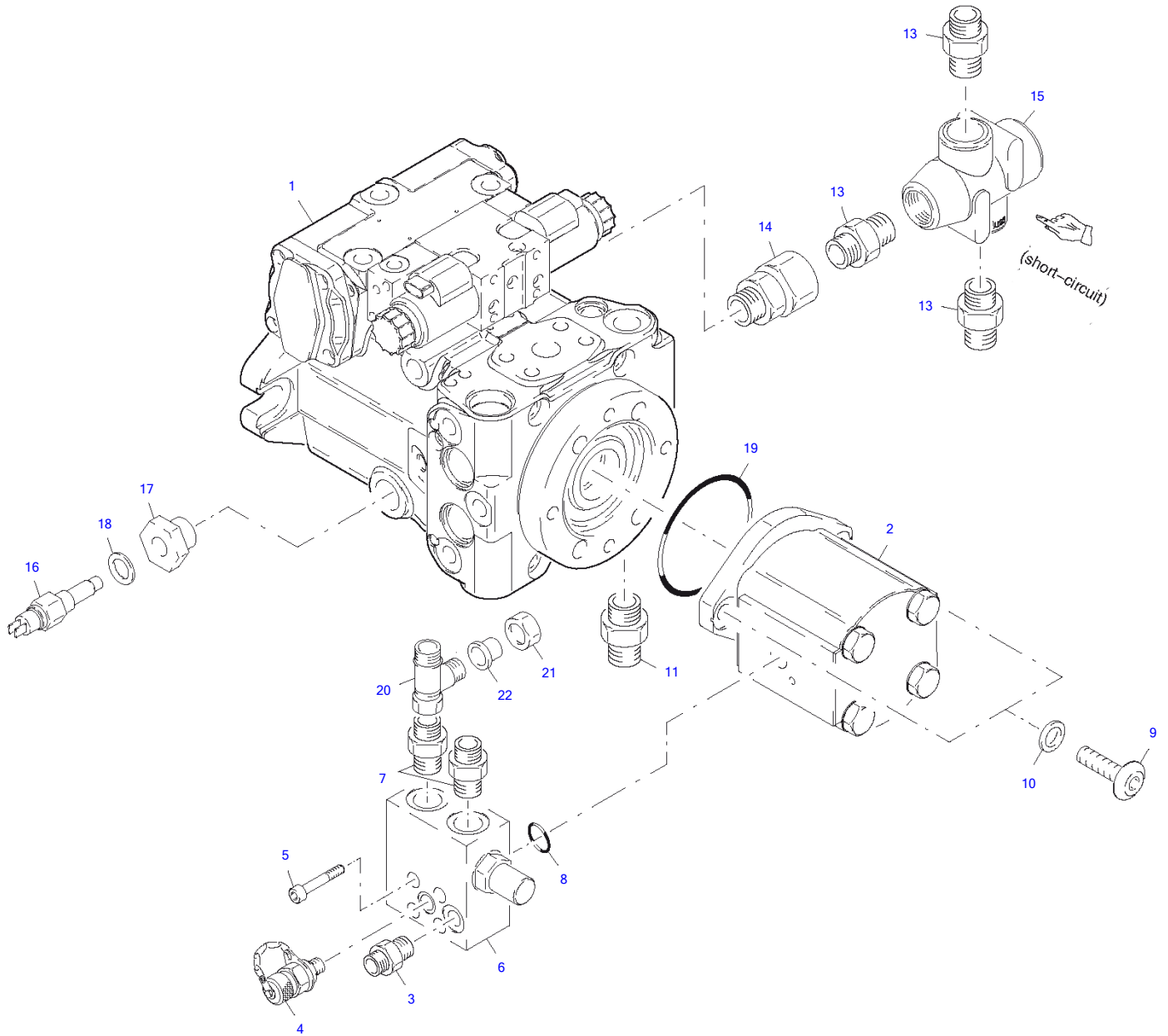
Item	Part number	Description	Q'ty	Chan.	Serial No.	Serv.	Remarks
	<b>8014176</b>	Pedal Machanism	1				
1	<b>1368641</b>	Hex Head Screw A3C	9				
2	<b>0893043</b>	Washer A3C	9				
4	<b>8013450</b>	Brake Pedal Compl	1				
	<b>8013433</b>	Main Brake Cylinder	1				
5	<b>8013451</b>	Inch-Actuator Compl	1				
	<b>8002252</b>	Brake Throttle Valve					
6	<b>8013452</b>	Foot Pedal Mechanism Compl	1				
7	<b>8014376</b>	Front Hand Brake Lever Bracket	1				
8	<b>8008534</b>	Hand Brake Lever	1				
	<b>8018957</b>	Switch	1				
10	<b>0893236</b>	Hex Head Screw A3C	4				
11	<b>8013871</b>	Washer	8				



**Air Filter System**

Item	Part number	Description	Q'ty	Chan.	Serial No.	Serv.	Remarks	
1	<b>8016941</b>	Air Filter System	1					
	<b>2991524</b>	Air Filter	1					
	<b>2991546</b>	Filter Element	1					
	<b>2991557</b>	Filter Element	1					
	<b>2993208</b>	Cover	1					
	<b>2993208</b>	Cover	1					
	<b>2997326</b>	Repairing Bracket	3					
	<b>2911857</b>	Air Filter Valve	1					
	2	<b>8008111</b>	Clip	1				
	3	<b>8016729</b>	Hose	1				
4	<b>8017156</b>	Manifold	1					
5	<b>8016720</b>	Holder	1					
6	<b>8005376</b>	Clip	1					
7	<b>0459149</b>	Clip	2					
8	<b>1307079</b>	Hex Head Screw A3C	2					
9	<b>2913166</b>	Low Pressure Indicator	1					
10	<b>1722787</b>	Serrated Nut	4					
11	<b>8009782</b>	Serrated Hex Head Screw	2					
12	<b>2481254</b>	Ripp Washer A3C	2					
14	<b>2969651</b>	Pipe	1					
15	<b>5820077</b>	Profile Rubber 300 MM	1					

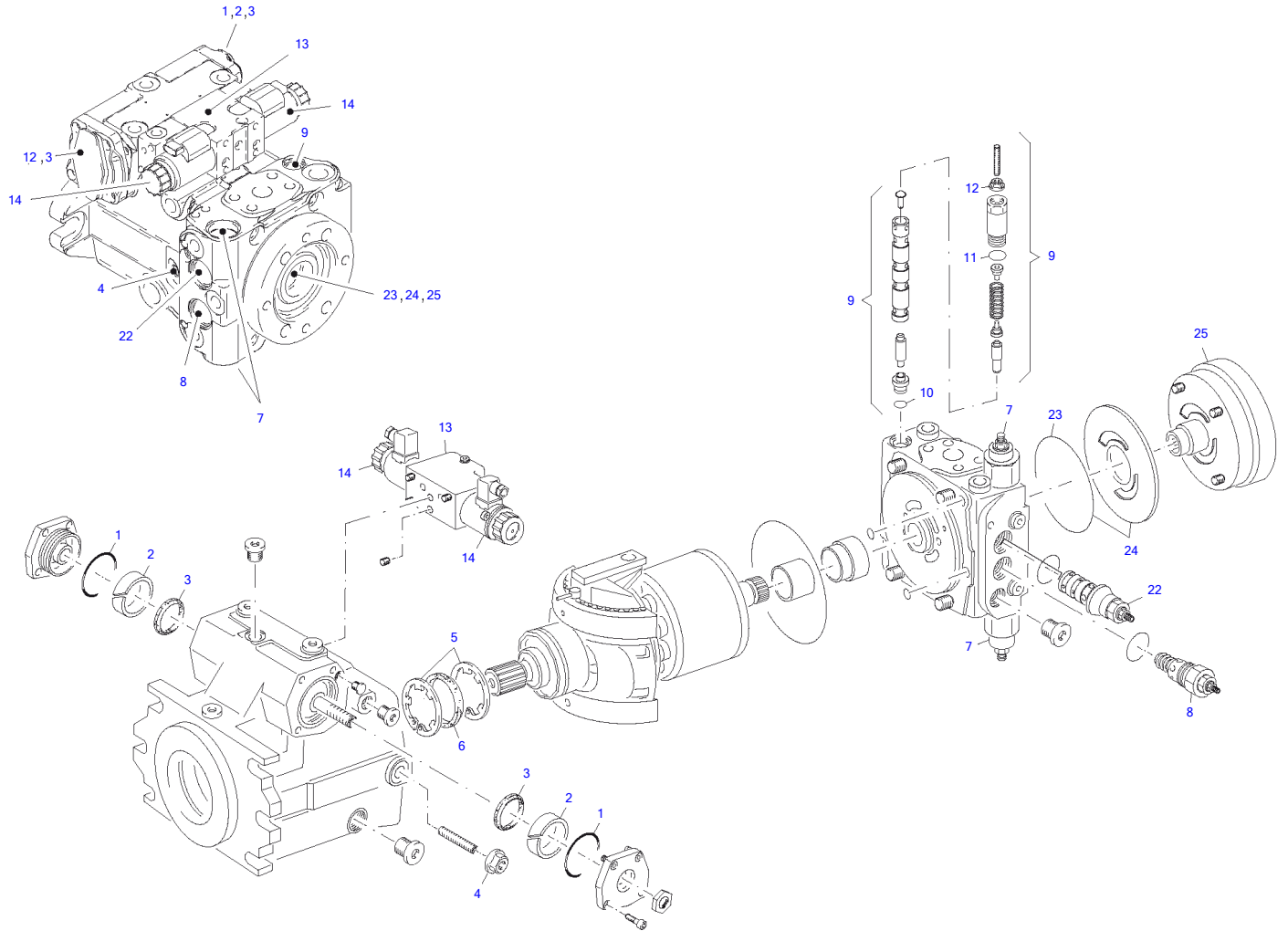
TW60 Book No. 8017235 01.10 S/N E106776  
Oil Pressure Pump



**Oil Pressure Pump**

Item	Part number	Description	Q'ty	Chan.	Serial No.	Serv.	Remarks
	<b>5820115</b>	Oil Pressure Pump	1				
1	<b>8019517</b>	Oil Pressure Pump 12V	1				
2	<b>5820117</b>	Oil Pressure Pump	1				
3	<b>2656664</b>	Coupling A3C	1				
4	<b>2479669</b>	Screw Coupling A3C	1				
5	<b>1389873</b>	Hex Head Screw Cap	4				
6	<b>8010564</b>	Priority Valve	1				
7	<b>2481696</b>	Coupling A3C	2				
8	<b>0351219</b>	O-Ring	1				
9	<b>8008054</b>	Lens Head Screw	2				
10	<b>2481243</b>	Ripp Washer A3C	2				
11	<b>2913213</b>	Coupling A3C	1				
13	<b>1686475</b>	Coupling A3C	3				
14	<b>3952790</b>	Coupling A3C	1				
15	<b>8004537</b>	Oil Thermocoupler	1				
16	<b>1749244</b>	Temperature Switch	1				
17	<b>3939248</b>	Coupling	1				
18	<b>0373588</b>	Usit Ring U	1				
19	<b>2651761</b>	O-Ring	1				
20	<b>2967682</b>	Coupling A3C	1				
21	<b>1631641</b>	Cap Nut A3C	1				
22	<b>2904723</b>	Locking Bunch A3C	1				

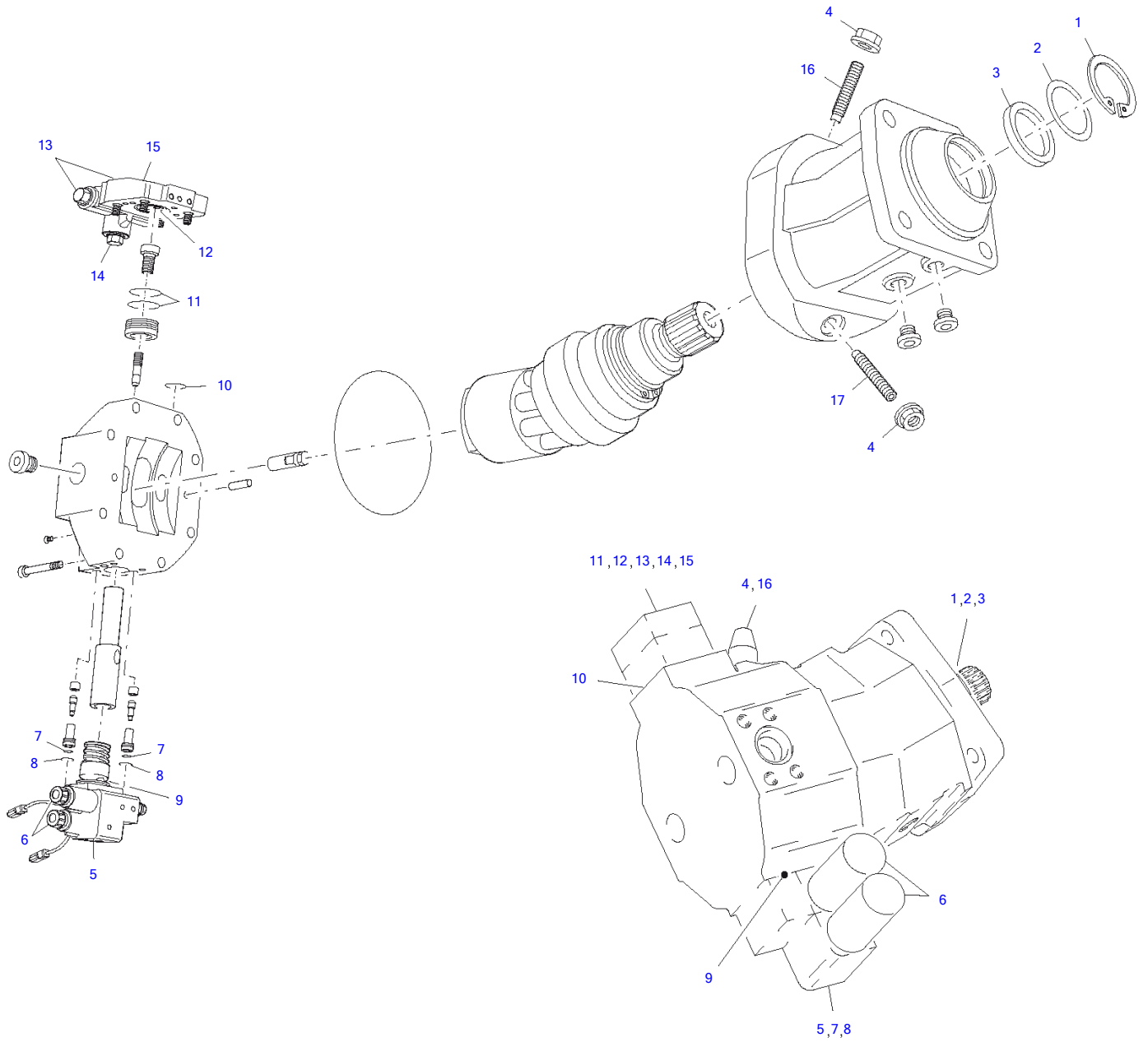
TW60 Book No. 8017235 01.10 S/N E106776  
Oil Pressure Pump 12V



**Oil Pressure Pump 12V**

Item	Part number	Description	Q'ty	Chan.	Serial No.	Serv.	Remarks
	<b>8019517</b>	Oil Pressure Pump 12V	1				
1	<b>1394405</b>	O-Ring	2				
2	<b>8008730</b>	Piston Guide Ring	2				
3	<b>8008731</b>	Ring	2				
4	<b>1094219</b>	Nut	1				
5	<b>8014323</b>	Circlip	2				
6	<b>8014324</b>	Oil Seal	1				
7	<b>3985346</b>	Pressure Limit Valve	2				
	<b>8008734</b>	Threaded Pin	2				
	<b>1007269</b>	O-Ring	2				
	<b>0319775</b>	O-Ring	2				
	<b>1332069</b>	Nut	2				
	<b>8008735</b>	Thrust Ring	2				
8	<b>8008733</b>	Pressure Limit Valve	1				
	<b>1007269</b>	O-Ring	1				
9	<b>3961611</b>	Switch off Valve	1				
10	<b>0319775</b>	O-Ring	1				
11	<b>1007236</b>	O-Ring	1				
12	<b>1332069</b>	Nut	1				
13	<b>8014281</b>	Magnet Valve 12V	1				
14	<b>8014320</b>	Control Magnet	2				
22	<b>8019840</b>	Catrridge Compl	1				
	<b>1007269</b>	O-Ring	1				
	<b>1354112</b>	Nut	1				
23	<b>8008736</b>	Oil Seal	1				
24	<b>8014284</b>	Wearing Parts Set	1				
25	<b>8014285</b>	Feeding Pump Compl	1				
	<b>0315180</b>	Allen Screw	4				
	<b>8008736</b>	Oil Seal	1				
	<b>1721708</b>	O-Ring	1				
	<b>8014283</b>	Packing Set Compl	1				

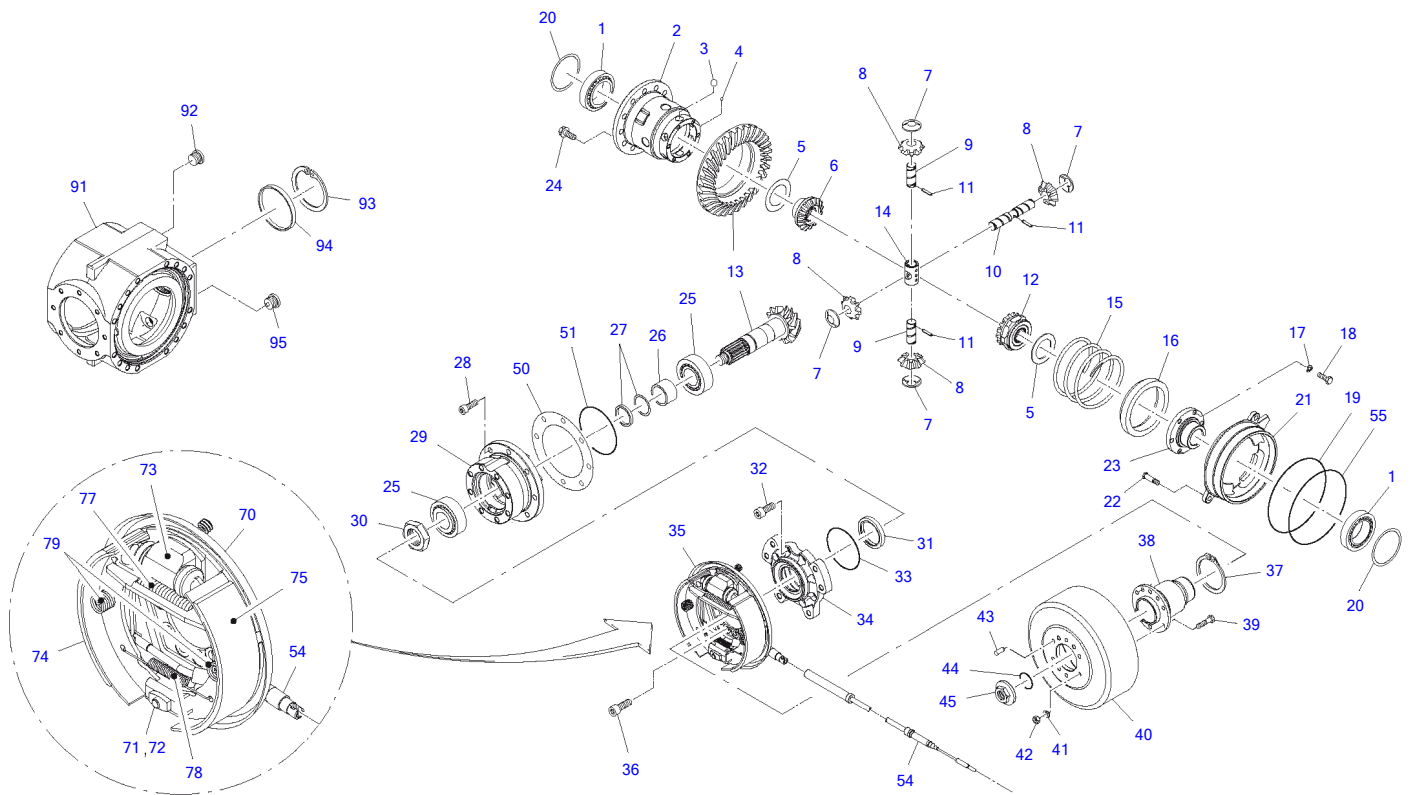
TW60 Book No. 8017235 01.10 S/N E106776  
Oil Motor





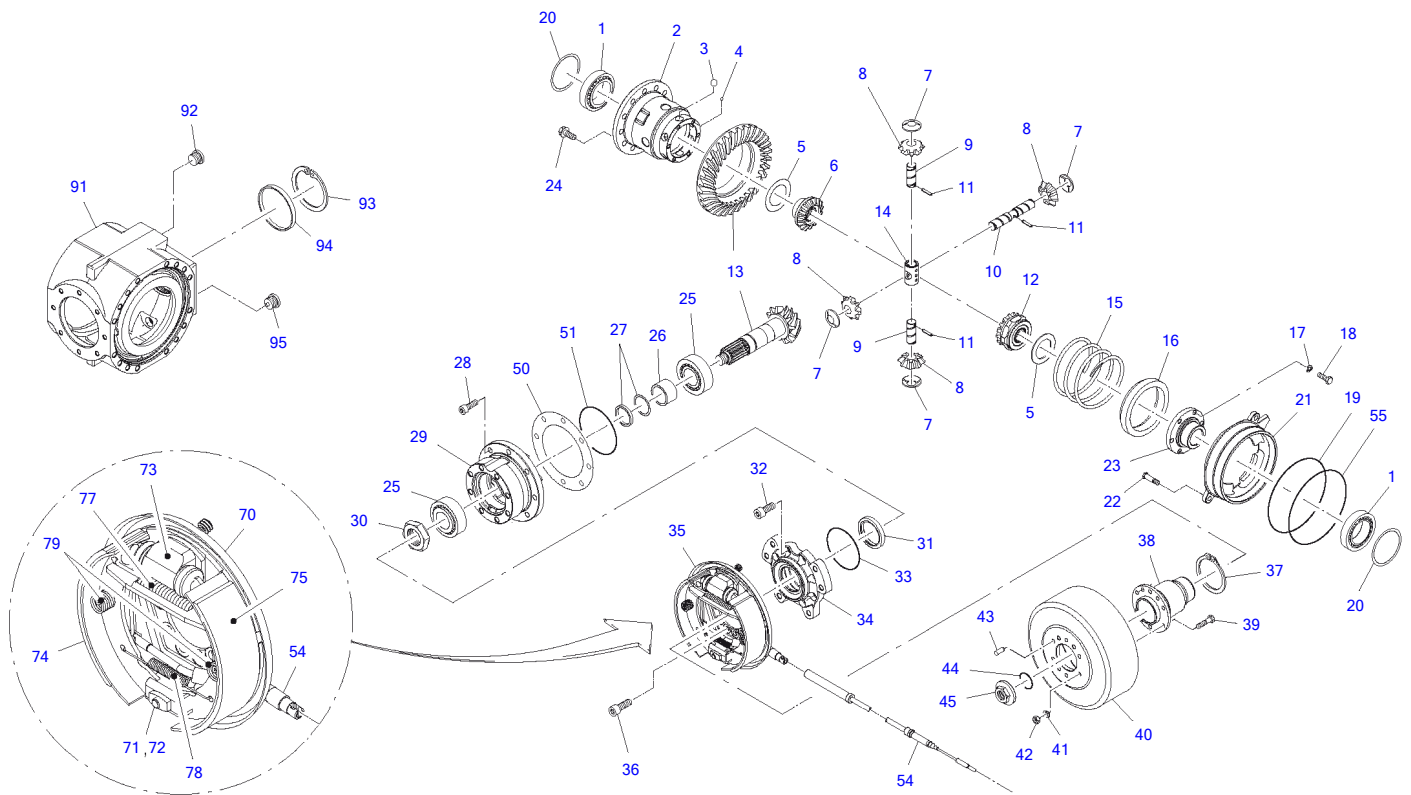
Item	Part number	Description	Oil Motor			Remarks
			Q'ty	Chan.	Serial No.	
	<b>8019523</b>	Oil Motor	1			
1	<b>1309377</b>	Circlip Tone 400	1			
2	<b>0831298</b>	Shim 10 MM	1			
	<b>0460197</b>	Shim 50 MM	1			
3	<b>8014316</b>	Oil Seal	1			
4	<b>0480895</b>	Nut	2			
5	<b>8014278</b>	Tax-Part	1			
6	<b>8014320</b>	Control Magnet	2			
7	<b>8006721</b>	O-Ring	2			
8	<b>8006720</b>	O-Ring	2			
9	<b>8014319</b>	O-Ring	1			
10	<b>8006722</b>	O-Ring	6			
11	<b>8014318</b>	Piston Ring	3			
12	<b>8006724</b>	O-Ring	1			
13	<b>8006725</b>	O-Ring	2			
14	<b>8006726</b>	O-Ring	1			
15	<b>8019924</b>	Feeding Press Valve	1			
16	<b>2998463</b>	Threaded Pin	2			
17	<b>8019862</b>	Threaded Pin	1			
	<b>8014280</b>	Packing Set Compl	1			

TW60 Book No. 8017235 01.10 S/N E106776  
Front Axle

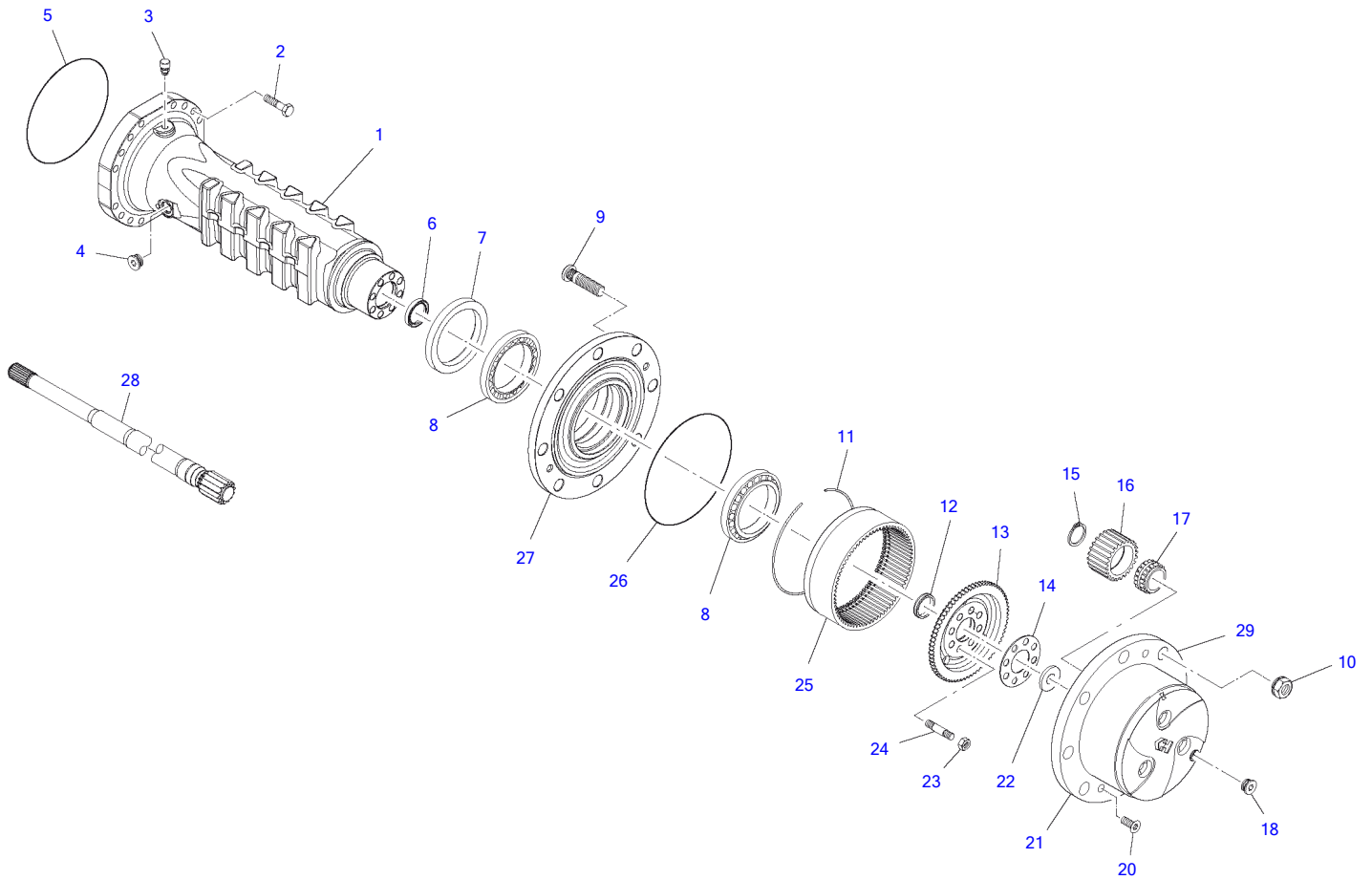


							Front Axle
Item	Part number	Description	Q'ty	Chan.	Serial No.	Serv.	Remarks
	<b>5820057</b>	Front Axle	1				
1	<b>0358169</b>	Conical Roller Bearing	2				
2	<b>8009243</b>	Differential Housing	1				
3	<b>3984118</b>	Ball	6				
4	<b>8009244</b>	Ball	1				
5	<b>2983273</b>	Disk	2				
6	<b>2983262</b>	Side Shaft Wheel	1				
7	<b>2915464</b>	Disk	4				
8	<b>2915475</b>	Planet Wheel	4				
9	<b>8009245</b>	Pin	2				
10	<b>8009246</b>	Pin	1				
11	<b>0443163</b>	Adaptor Sleeve	3				
12	<b>8009247</b>	Side Shaft Wheel	1				
13	<b>8009248</b>	Spur Bevel Gear	1				
14	<b>8014141</b>	Crossing Part	1				
15	<b>8009250</b>	Spring	1				
16	<b>8009251</b>	Control Sleeve	1				
17	<b>8010316</b>	Disk	6				
18	<b>1092795</b>	Black Bolt	6				
19	<b>8010106</b>	O-Ring	1				
20	<b>8009252</b>	Shim	2				
	<b>8009253</b>	Shim	2				
	<b>8009254</b>	Shim	2				
	<b>8009255</b>	Shim	2				
21	<b>8009256</b>	Piston	1				
22	<b>8010255</b>	Justier Screw	2				
23	<b>8009257</b>	Cover	1				
24	<b>8010239</b>	V-Plus Bolt with Flange	12				
25	<b>2480924</b>	Conical Roller Bearing	2				
26	<b>8014143</b>	Distance Ring	1				
27	<b>8009275</b>	Shim	1				
	<b>8009279</b>	Shim	1				
28	<b>0848684</b>	Bolt	8				
29	<b>8009593</b>	Cover	1				
30	<b>8010003</b>	Wave Nut	1				
31	<b>8010243</b>	Oil Seal	1				
32	<b>8010774</b>	Fillister Head Screw	8				
33	<b>8010109</b>	O-Ring	1				
34	<b>8009595</b>	Cover	1				
35	<b>8009594</b>	Servo Brake	1				
36	<b>8010775</b>	Fillister Head Screw	8				
37	<b>1366810</b>	Circlip Tone 400	1				
38	<b>8009596</b>	Flange	1				
39	<b>0893189</b>	Hex Head Scrw A3C	6				
40	<b>8009597</b>	Brake Drum	1				
41	<b>8010373</b>	Spring Washer	6				
42	<b>0300285</b>	Nut	6				
43	<b>3802255</b>	Dowel Pin	6				
44	<b>8010110</b>	O-Ring	1				
45	<b>8010262</b>	Flange Nut	1				
50	<b>2915748</b>	Shim	1				
	<b>2915737</b>	Shim	1				
	<b>2915726</b>	Shim	1				
	<b>2915317</b>	Shim	1				
51	<b>8010111</b>	O-Ring	1				
54	<b>5820196</b>	Hand Brake Rope	1				
55	<b>8014144</b>	O-Ring	1				
70	<b>8012215</b>	Brake Plate Compl	1				
71	<b>8012216</b>	Adjustment Compl	2				
72	<b>8012217</b>	Regulating Wedge	1				
73	<b>8012219</b>	Wheel Brake Cylinder	1				
74	<b>8012220</b>	Brake Shoe with Lining	1				
75	<b>8012221</b>	Brake Show with Lining	1				
77	<b>8012223</b>	Draw Spring	1				
78	<b>8012225</b>	Draw Spring	1				
79	<b>8012226</b>	Compression Spring	2				
91	<b>8009442</b>	Housing	1				
92	<b>2655505</b>	Plug A3C	1				

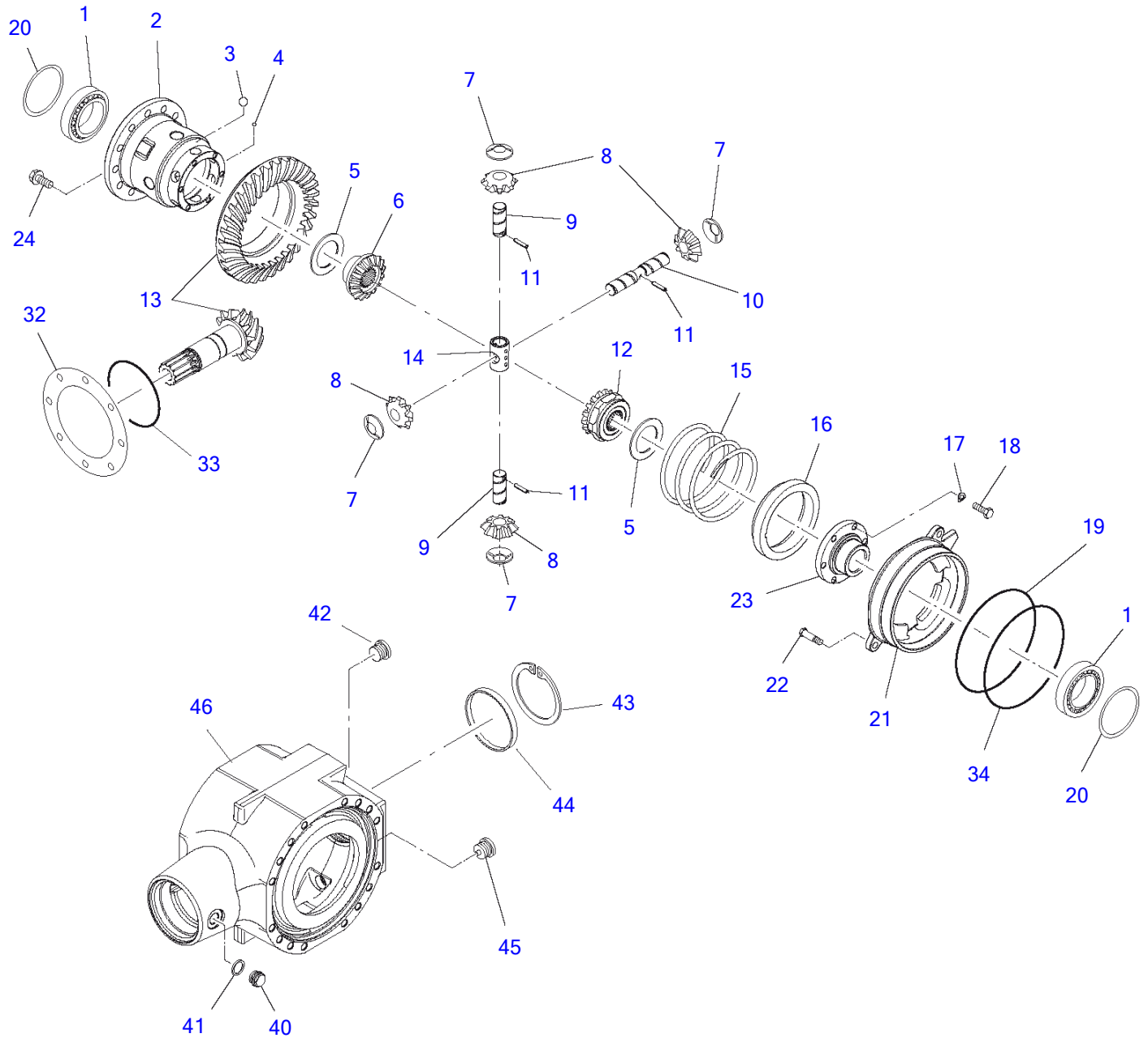
TW60 Book No. 8017235 01.10 S/N E106776  
Front Axle



Item	Part number	Description	Front Axle				Remarks
			Q'ty	Chan.	Serial No.	Serv.	
93	<b>2401407</b>	Circlip	1				
94	<b>8009656</b>	Plug	1				
95	<b>0356178</b>	Plug A3C MG	1				

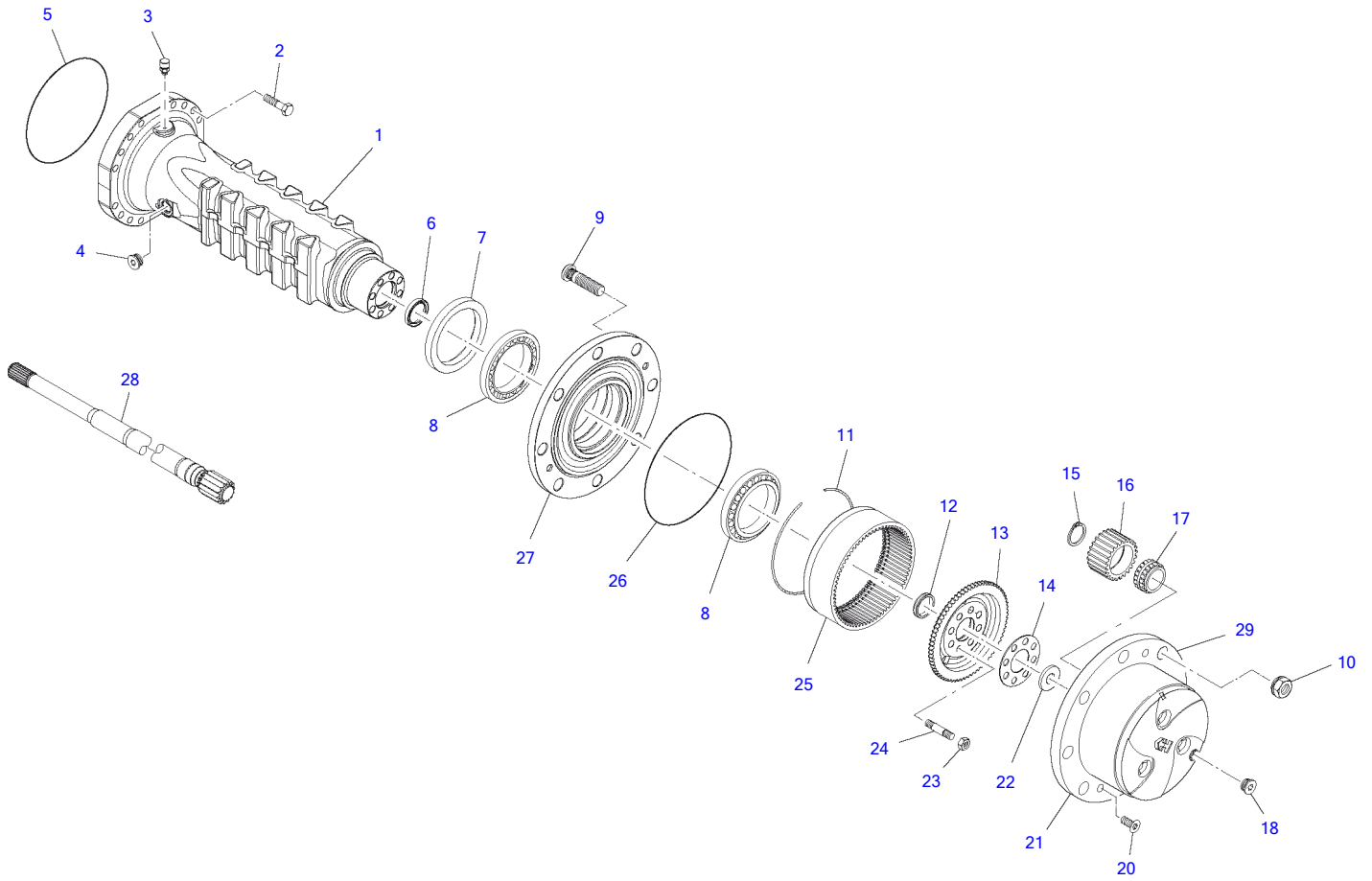


Item	Part number	Description	Axle Pipe			
			Q'ty	Chan.	Serial No.	Serv. Remarks
1	8014145	Axle Pipe	2			
2	8010322	Bolt	32			
3	3968889	Air Vent	1			
4	2655505	Plug A3C	2			
5	8010108	O-Ring	2			
6	2915782	Oil Seal	2			
7	8010249	Oil Seal	2			
8	8010027	Conical Roller Bearing	4			
	8010028	Conical Roller Bearing	4			
9	8009470	Wheel Pin	16			
10	5820056	Flanged Ball Nut A3C	16			
11	8010257	Snap Ring	2			
12	8009457	Centering Ring	2			
13	8009259	Side Shaft Wheel	2			
14	8009260	Plate	2			
15	8010258	Circlip Tone 400	6			
16	3983742	Planet Wheel	6			
17	8010025	Roller Bearing	6			
18	8010263	Plug A3C	2			
20	0482831	Countersunk Screw A3C	4			
21	8009261	Planetary Housing	2			
22	3983764	Disk	2			
23	8010264	Nut	16			
24	8010303	Stud	16			
25	3983719	Gear Rim	2			
26	2902163	O-Ring	2			
27	8009262	Wheel Hub	2			
28	8014146	Axle Shaft	2			
29	8009264	Housing Compl	2			



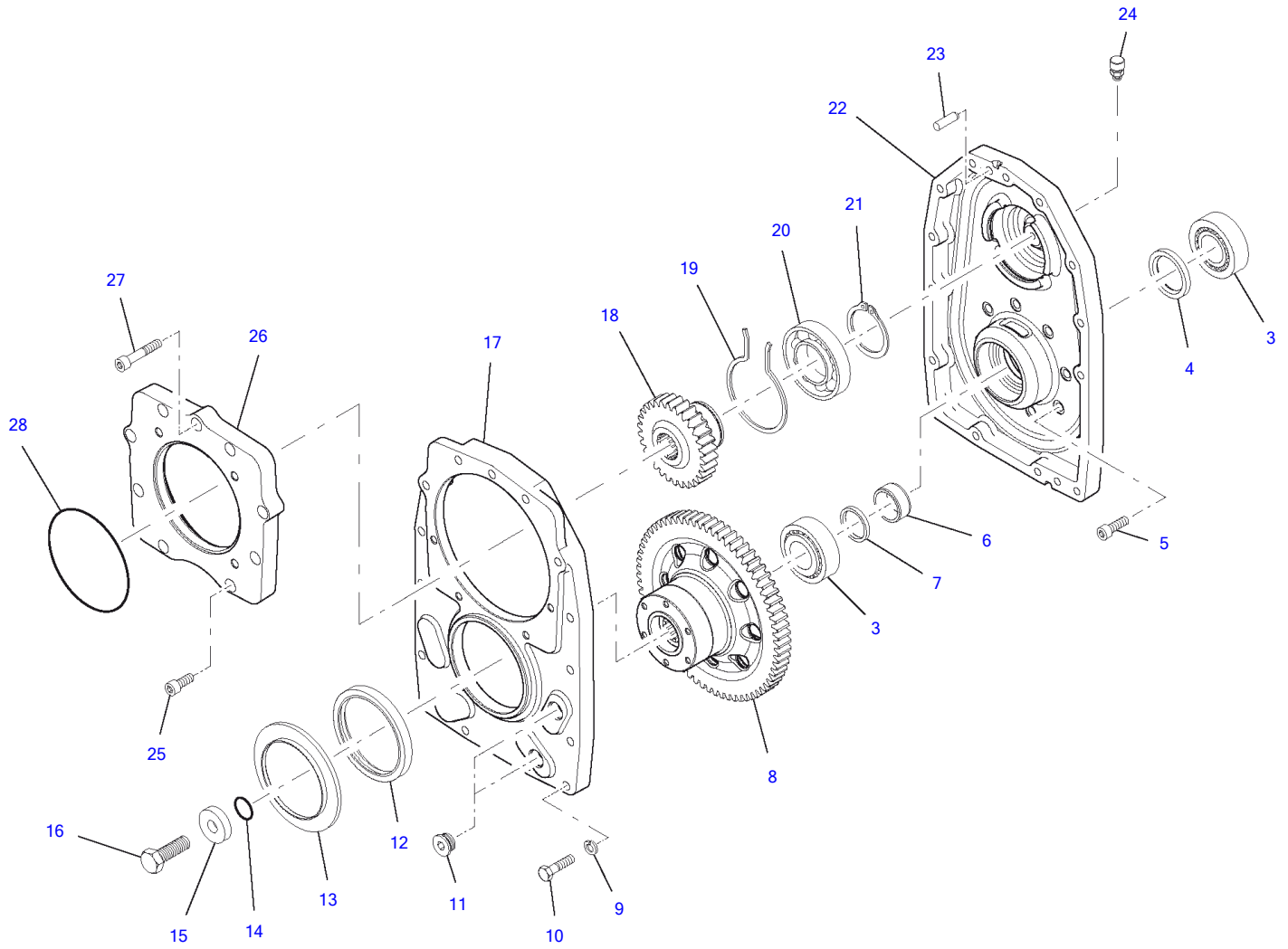


							<b>Rear Axle</b>	
Item	Part number	Description	Q'ty	Chan.	Serial No.	Serv.	Remarks	
	<b>5820058</b>	Rear Axle	1					
1	<b>0358169</b>	Conical Roller Bearing	2					
2	<b>8009243</b>	Differential Housing	1					
3	<b>3984118</b>	Ball	6					
4	<b>8009244</b>	Ball	1					
5	<b>2983273</b>	Disk	2					
6	<b>2983262</b>	Side Shaft Wheel	1					
7	<b>2915464</b>	Disk	4					
8	<b>2915475</b>	Planet Wheel	4					
9	<b>8009245</b>	Pin	2					
10	<b>8009246</b>	Pin	1					
11	<b>0443163</b>	Adaptor Sleeve	3					
12	<b>8009247</b>	Side Shaft Wheel	1					
13	<b>8014161</b>	Spur Bevel Gear	1					
14	<b>8014141</b>	Crossing Part	1					
15	<b>8009250</b>	Spring	1					
16	<b>8009251</b>	Control Sleeve	1					
17	<b>8010316</b>	Disk	6					
18	<b>1092795</b>	Black Bolt	6					
19	<b>8010106</b>	O-Ring	1					
20	<b>8009252</b>	Shim	2					
	<b>8009253</b>	Shim	2					
	<b>8009254</b>	Shim	2					
	<b>8009255</b>	Shim	2					
21	<b>8009256</b>	Piston	1					
22	<b>8010255</b>	Justier Screw	2					
23	<b>8009257</b>	Cover	1					
24	<b>8010239</b>	V-Plus Bolt with Flange	12					
32	<b>2915748</b>	Shim	1					
	<b>2915737</b>	Shim	1					
	<b>2915726</b>	Shim	1					
	<b>2915317</b>	Shim	1					
33	<b>8010111</b>	O-Ring	1					
34	<b>8014144</b>	O-Ring	1					
42	<b>2655505</b>	Plug A3C	1					
43	<b>2401407</b>	Circlip	1					
44	<b>8009656</b>	Plug	1					
45	<b>0356178</b>	Plug A3C MG	1					
46	<b>8009442</b>	Housing	1					



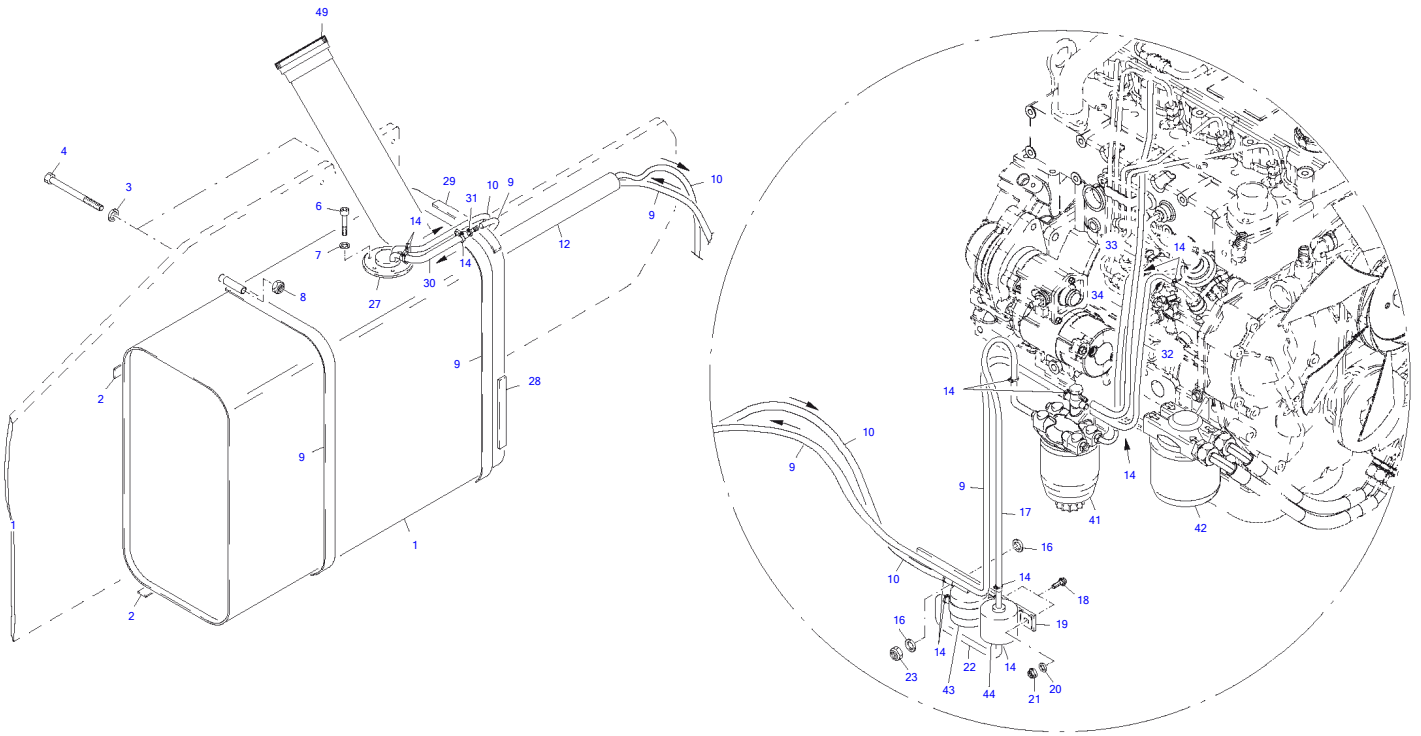
Item	Part number	Description	Axle Pipe			
			Q'ty	Chan.	Serial No.	Serv. Remarks
1	8014145	Axle Pipe	2			
2	8010322	Bolt	32			
3	3968889	Air Vent	1			
4	2655505	Plug A3C	2			
5	8010108	O-Ring	2			
6	2915782	Oil Seal	2			
7	8010249	Oil Seal	2			
8	8010027	Conical Roller Bearing	4			
	8010028	Conical Roller Bearing	4			
9	8009470	Wheel Pin	16			
10	5820056	Flanged Ball Nut A3C	16			
11	8010257	Snap Ring	2			
12	8009457	Centering Ring	2			
13	8009259	Side Shaft Wheel	2			
14	8009260	Plate	2			
15	8010258	Circlip Tone 400	6			
16	3983742	Planet Wheel	6			
17	8010025	Roller Bearing	6			
18	8010263	Plug A3C	2			
20	0482831	Countersunk Screw A3C	4			
21	8009261	Planetary Housing	2			
22	3983764	Disk	2			
23	8010264	Nut	16			
24	8010303	Stud	16			
25	3983719	Gear Rim	2			
26	2902163	O-Ring	2			
27	8009262	Wheel Hub	2			
28	8014146	Axle Shaft	2			
29	8009264	Housing Compl	2			

TW60 Book No. 8017235 01.10 S/N E106776  
Rear Axle Multiple



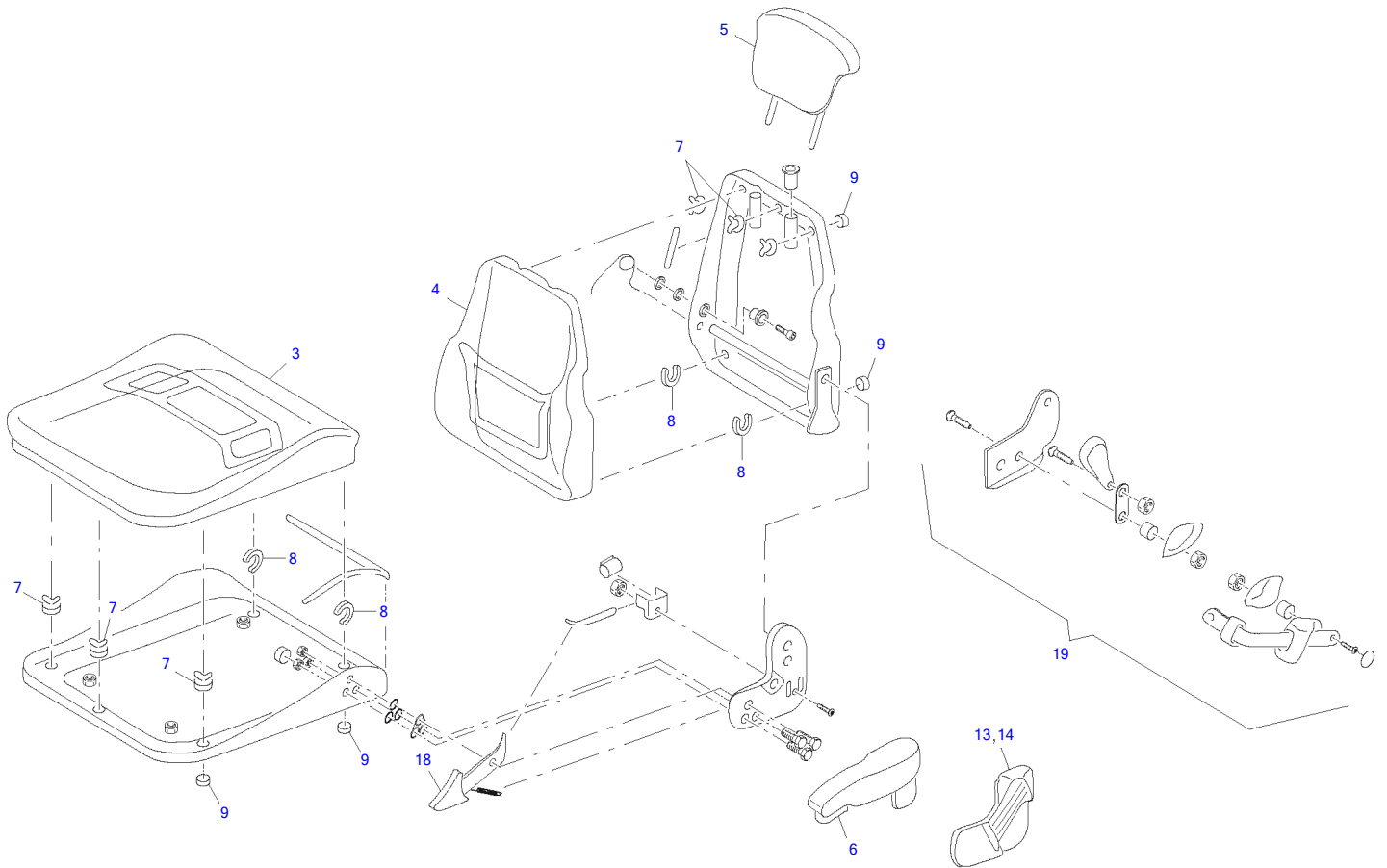
**Rear Axle Multiple**

Item	Part number	Description	Q'ty	Chan.	Serial No.	Serv.	Remarks
3	8009421	Conical Roller Bearing	2				
4	8010305	Oil Seal	1				
5	0395493	Allen Screw	8				
6	8009467	Distance Ring	1				
7	8009275	Shim	1				
	8009279	Shim	1				
8	8014148	Gear Wheel	1				
9	8010374	Spring Washer	10				
10	0893349	Hex Head Screw A3C	10				
11	2655505	Plug A3C	2				
12	8010375	Oil Seal B1	1				
13	8009468	Plate	1				
14	8010110	O-Ring	1				
15	8006123	Disk	1				
16	0443323	Hex Head Screw A3C	1				
17	8009317	Cover	1				
18	8014149	Gear Wheel	1				
19	8010327	Circlip	1				
20	8009991	Ball Bearing	1				
21	1630708	Circlip Tone 400	1				
22	8009620	Housing	1				
23	0396245	Dowel Pin	2				
24	3968889	Air Vent	1				
25	0396245	Dowel Pin	4				
26	8014150	Cover	1				
27	1347624	Hex Head Screw Cap	5				
28	8014151	O-Ring	1				



### Fuel Supply System

Item	Part number	Description	Q'ty	Chan.	Serial No.	Serv.	Remarks
	<b>8019993</b>	Fuel Supply System	1				
1	<b>5820065</b>	Gasoline Tank Compl	1				
2	<b>0909304</b>	Profile Rubber 615 MM	2				
	<b>0909304</b>	Profile Rubber 390 MM	3				
3	<b>2481254</b>	Serrated Washer A3C	2				
4	<b>0410073</b>	Hex Head Screw A3C	2				
5	<b>0909224</b>	Profile Rubber 820 MM	2				
6	<b>4657589</b>	Lens Head Screw H A3C	6				
7	<b>1386289</b>	Washer A3C	6				
8	<b>0399760</b>	Nut A3C	5				
9	<b>8009224</b>	Hose 1880 MM	1				
10	<b>8008515</b>	Fuel Hose 900 MM	1				
12	<b>0916665</b>	Hose 350 MM	1				
14	<b>8012616</b>	Clip Norma	10				
16	<b>2481243</b>	Ripp Washer A3C	2				
18	<b>2982534</b>	Serrated Hex Head Screw	2				
19	<b>80250000</b>	Holder	1				
20	<b>2992014</b>	Ripp Washer A3C	2				
21	<b>0487336</b>	Nut A3C	2				
22	<b>8008515</b>	Fuel Hose 350 MM	1				
23	<b>0327297</b>	Nut A3C	1				
27	<b>5820068</b>	Fuel Gauge	1				
	<b>8012396</b>	Rubber Seal	1				
28	<b>0935113</b>	Profile Rubber 100 MM	1				
29	<b>0935113</b>	Profile Rubber 150 MM	1				
30	<b>8008515</b>	Fuel Hose 120 MM	1				
31	<b>3748974</b>	Reducing Connection	1				
32	<b>8009224</b>	Hose 500 MM	1				
33	<b>8018570</b>	Fuel Hose 500 MM	1				
34	<b>8009224</b>	Hose 500 MM	1				
41	<b>8018799</b>	Filter Element	1				
42	<b>8018798</b>	Filter	1				
43	<b>8020156</b>	Primary Diesel Filter	1				
44	<b>8020157</b>	Fuel Pump	1				
45	<b>0303744</b>	Tank Cap	1				

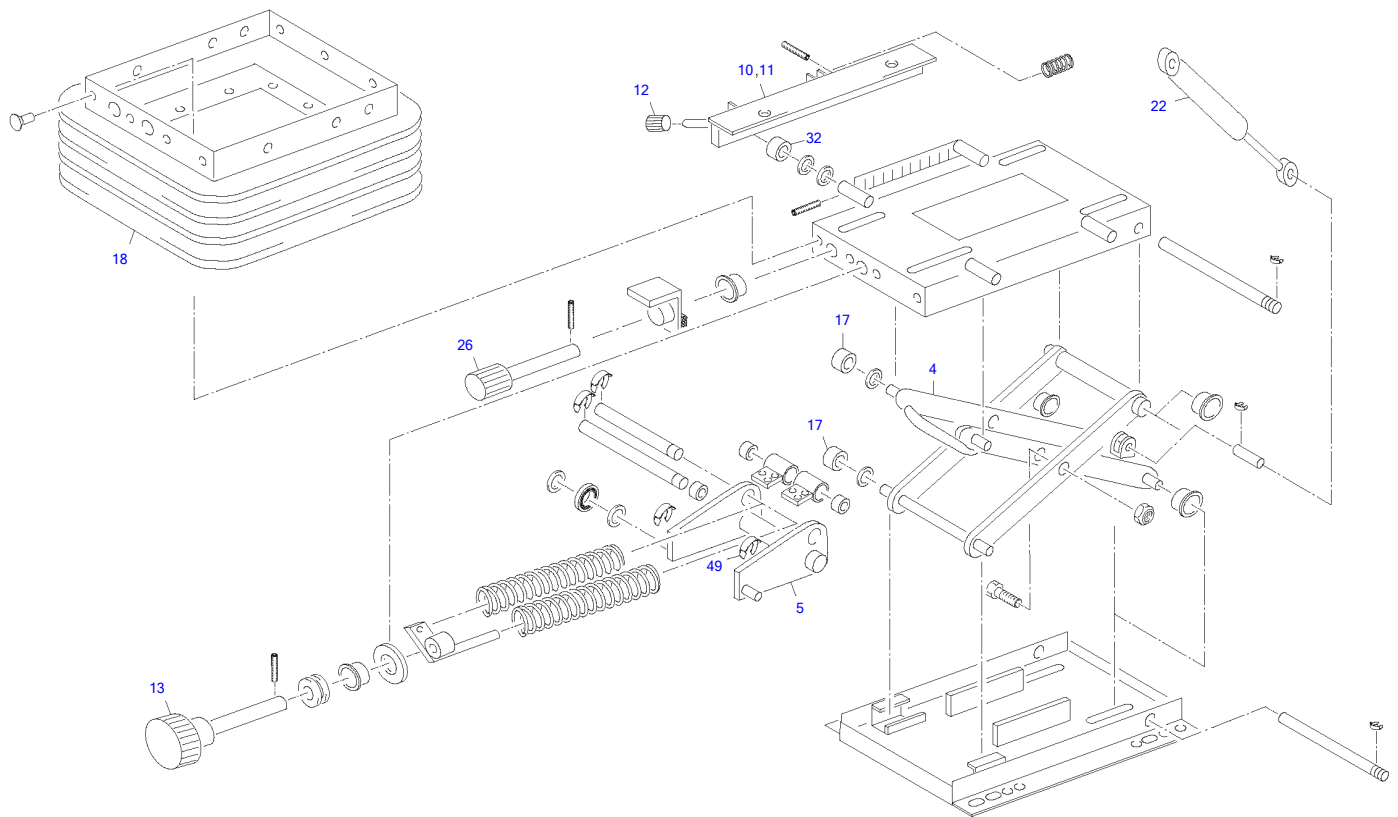




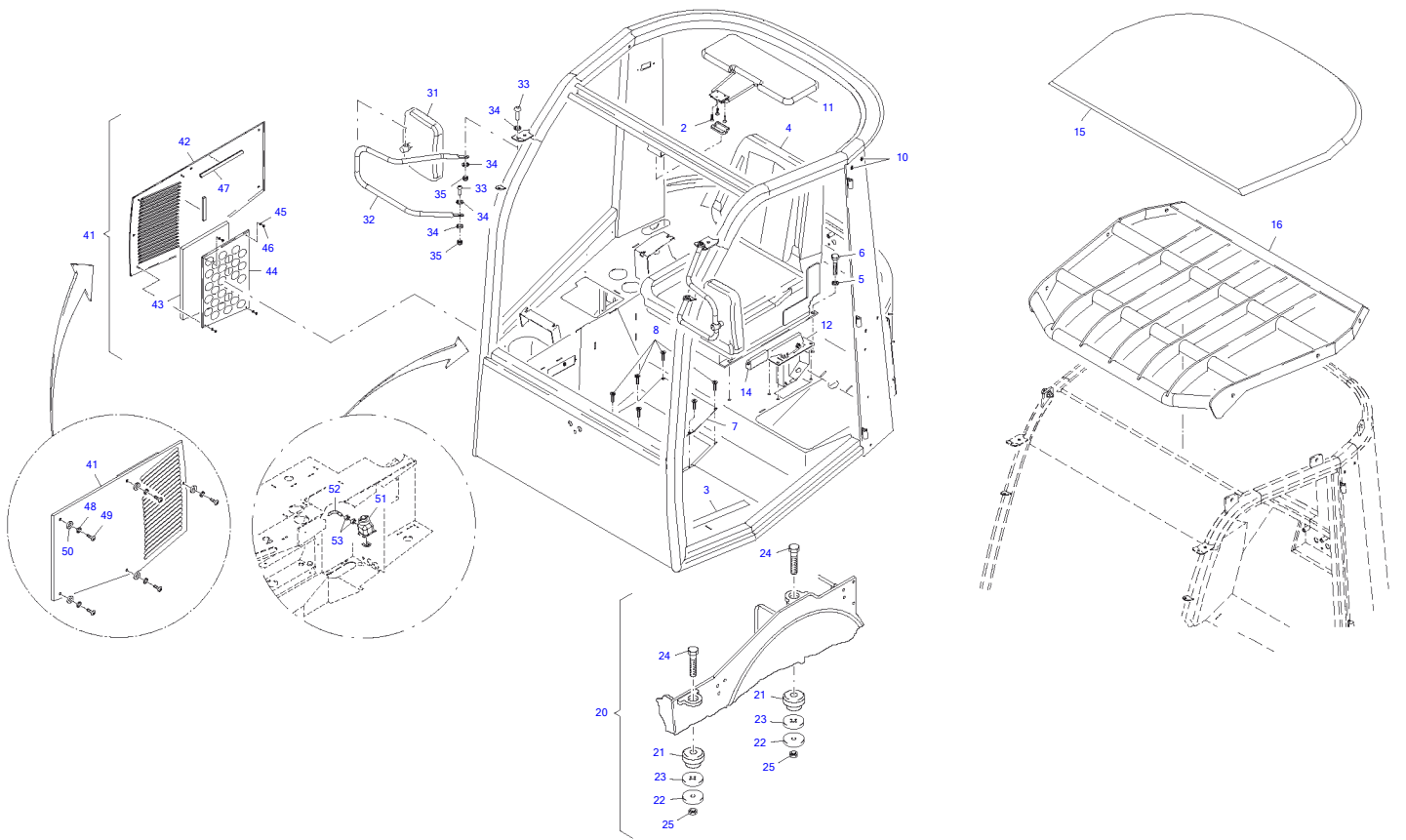
**Driver's Seat Compl**

Item	Part number	Description	Q'ty	Chan.	Serial No.	Serv.	Remarks
	<b>8013032</b>	Driver's Seat Compl	1				
1	<b>8016776</b>	Seat Cushion	1				
2	<b>8016777</b>	Back Pad	1				
3	<b>8016778</b>	Backrest Extension	1				
6	<b>8014466</b>	Left Armrest	1				
	<b>8014467</b>	Hand Wheel	1				
7	<b>8014471</b>	Clips	6				
8	<b>8014472</b>	Hook	4				
9	<b>8014473</b>	Covering	10				
13	<b>8014469</b>	Left Covering	1				
14	<b>8014470</b>	Right Covering	1				
18	<b>8014468</b>	Side Pane Handle	1				
19	<b>8014589</b>	Safety Belt	1				

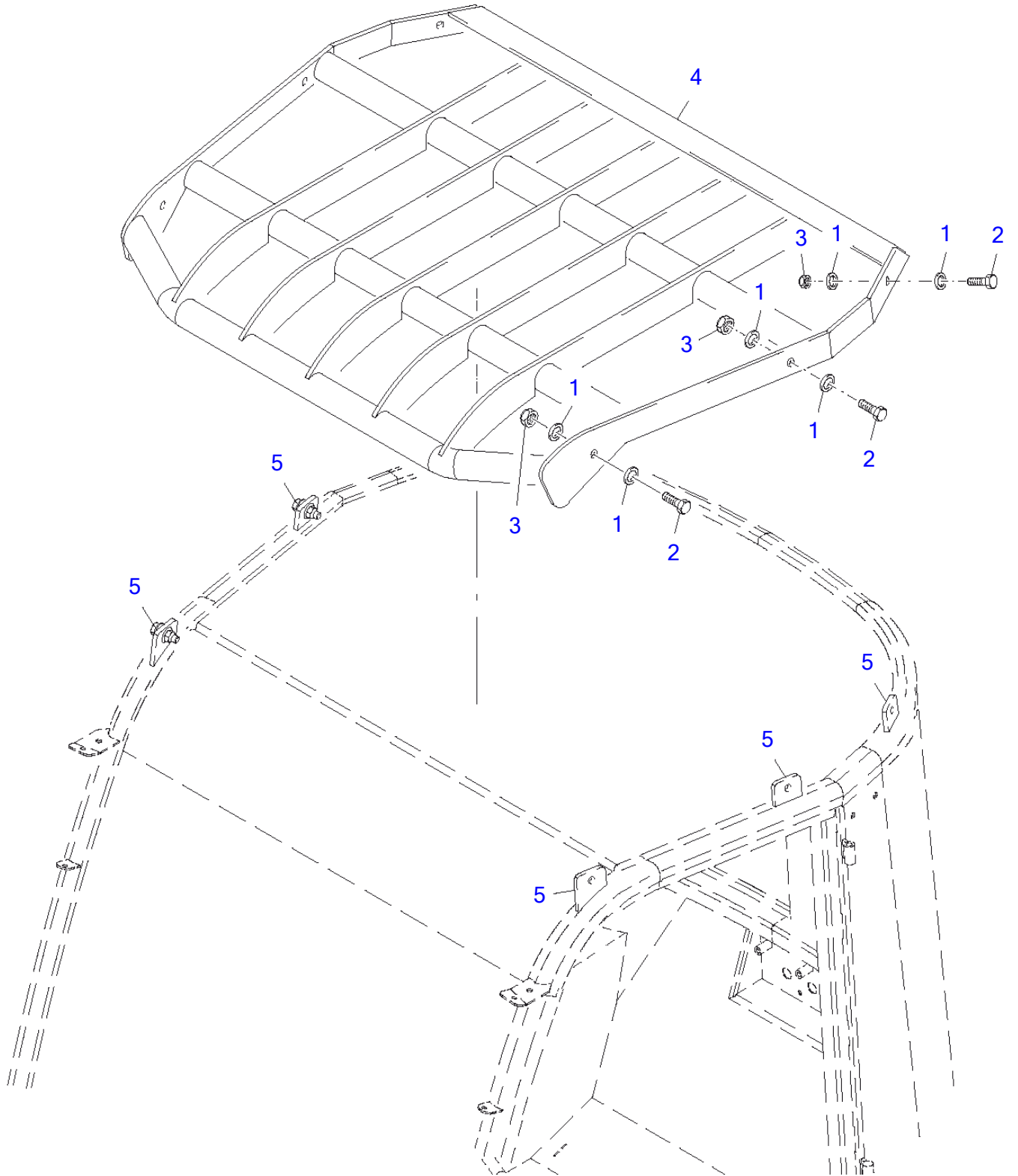
TW60 Book No. 8017235 01.10 S/N E106776  
Seat Lower Part



Item	Part number	Description	Seat Lower Part			
			Q'ty	Chan.	Serial No.	Serv. Remarks
	<b>8014478</b>	Seat Lower Part	1			
4	<b>8014447</b>	Rocker Arm Compl	1			
5	<b>8014448</b>	Spring Support	1			
10	<b>8014449</b>	Right Adjustment	1			
11	<b>8014451</b>	Left Adjustment	1			
12	<b>8014456</b>	Handwheel	1			
13	<b>8014456</b>	Handwheel	1			
17	<b>8014458</b>	Guide Roller	1			
18	<b>8014460</b>	Siphon	1			
22	<b>8014462</b>	Shock Absorber	2			
26	<b>8014463</b>	Slewing Handle	1			
32	<b>8014464</b>	Guide Roller	1			



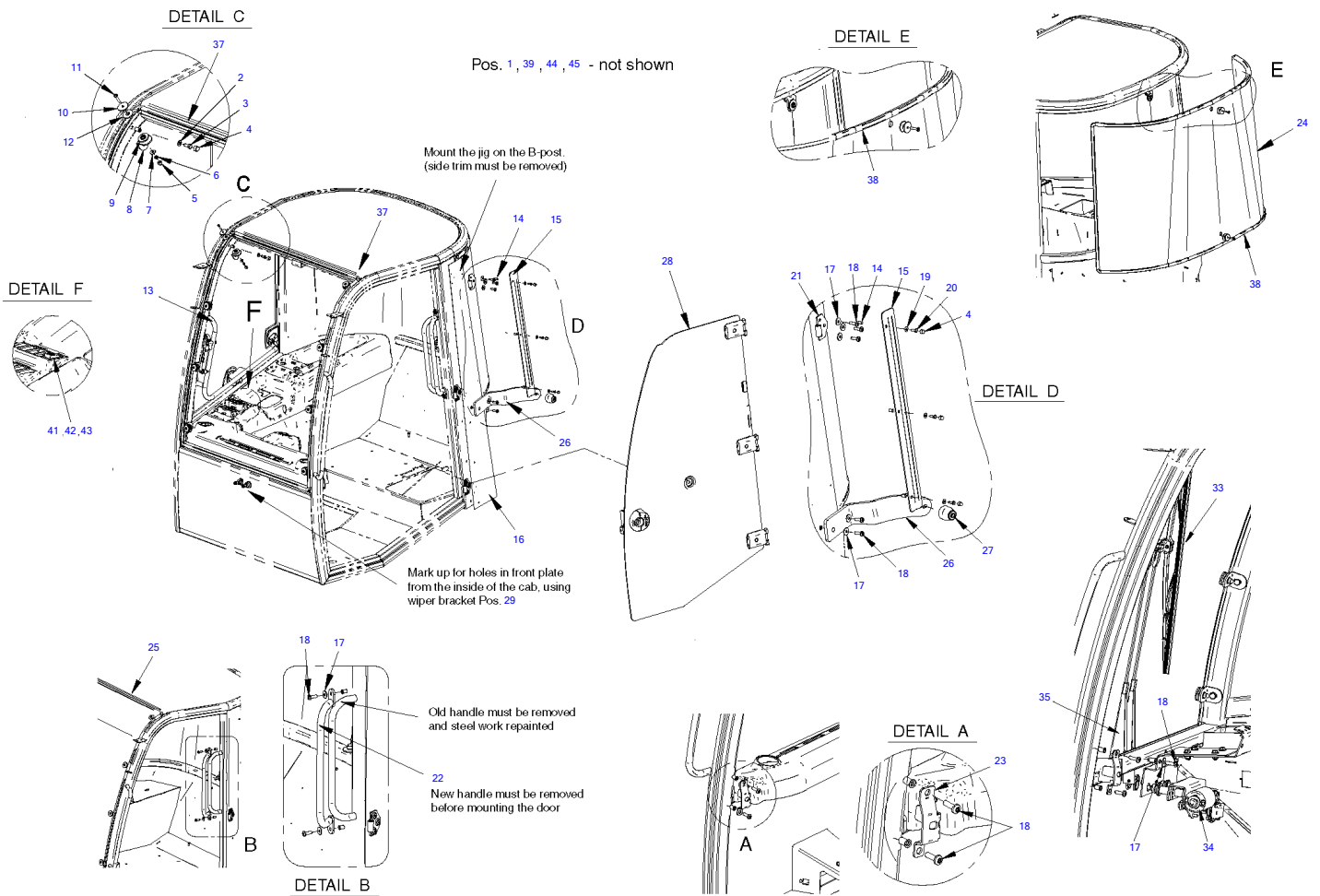
<b>Cabin Canopy</b>					
Item	Part number	Description	Q'ty	Chan.	Serial No. Serv. Remarks
	<b>8016507</b>	Cabin Canopy	1		
2	<b>1319084</b>	Countersunk Screw A3C	3		
3	<b>8014364</b>	Nonskid Surfacing	1		
4	<b>8013032</b>	Driver Seat Compl	1		
5	<b>8013871</b>	Disk	5		
6	<b>0893236</b>	Hex Head Screw A3C	5		
7	<b>8013441</b>	Cover Plate	1		
8	<b>1039405</b>	Countersunk Screw Galvanized	8		
10	<b>8005554</b>	Blind Rivet	4		
11	<b>8013428</b>	Sun Shield	1		
12	<b>8014176</b>	Front Hand Brake Lever Bracket	1		
14	<b>8014176</b>	Hand Brake Lever	1		
15	<b>8013355</b>	Cabin Roof	1		
16	<b>8012821</b>	FOPS Grating Compl	1		
20	<b>8013154</b>	Cabin Bearing Compl	1		
21	<b>8012143</b>	Rubber Element	4		
22	<b>2914645</b>	Disk	4		
23	<b>3924241</b>	Rubber Washer	4		
24	<b>3975695</b>	Black Bolt	4		
25	<b>1663967</b>	Nut A3C	4		
31	<b>3949091</b>	Mirror	2		
32	<b>3945575</b>	Mirror Rod	2		
33	<b>0893214</b>	Hex Head Screw A3C	4		
34	<b>0885849</b>	Cup Spring	16		
35	<b>0399760</b>	Nut A3C	8		
41	<b>8016796</b>	Right Side Plate Compl	1		
42	<b>8016797</b>	Right Side Plate	1		
43	<b>8014410</b>	Air Filter	1		
44	<b>8014409</b>	Front Filter Plate	1		
45	<b>0893076</b>	Washer A3C	4		
46	<b>0327286</b>	Nut A3C	4		
47	<b>8014411</b>	Profiled Joint	1		
48	<b>0851554</b>	Washer	5		
49	<b>8014013</b>	Lens Head Screw A3C	5		
50	<b>8016340</b>	Rubber Washer	5		
51	<b>8014421</b>	Compression Container	1		
52	<b>8014425</b>	Hose	1		
53	<b>8014426</b>	Clip	2		



**FOPS Grating Compl**

Item	Part number	Description	Q'ty	Chan.	Serial No.	Serv.	Remarks
	<b>8012821</b>	FOPS Grating Compl	1				
1	<b>8016790</b>	Disk	10				
2	<b>1391275</b>	Hex Head Screw A3C	6				
3	<b>0362165</b>	Nut A3C	5				
4	<b>8014566</b>	FOPS Grating	1				
5	<b>8014565</b>	Parts Set	1				

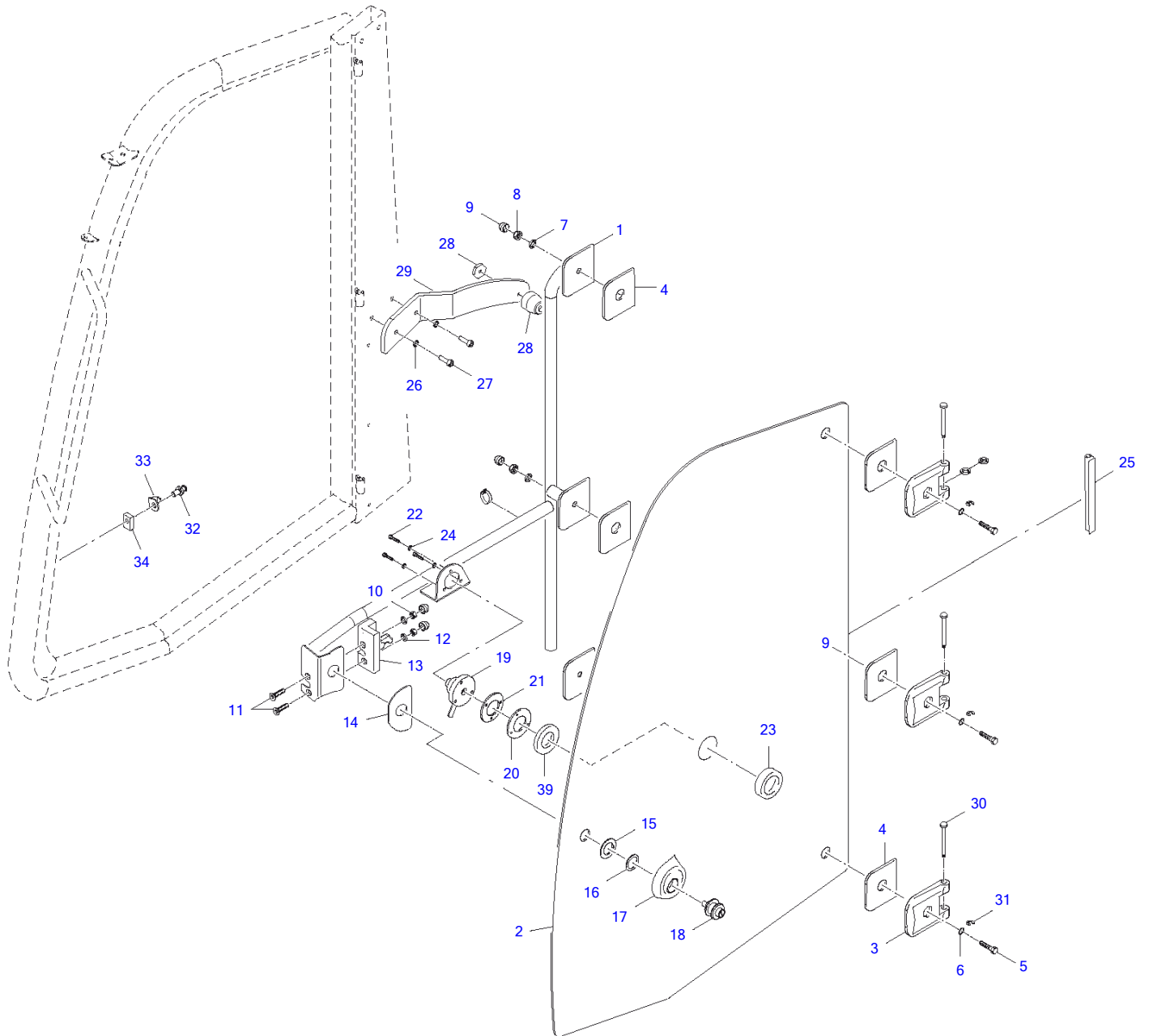
TW60 Book No. 8017235 01.10 S/N E106776  
 Window Panes Kit





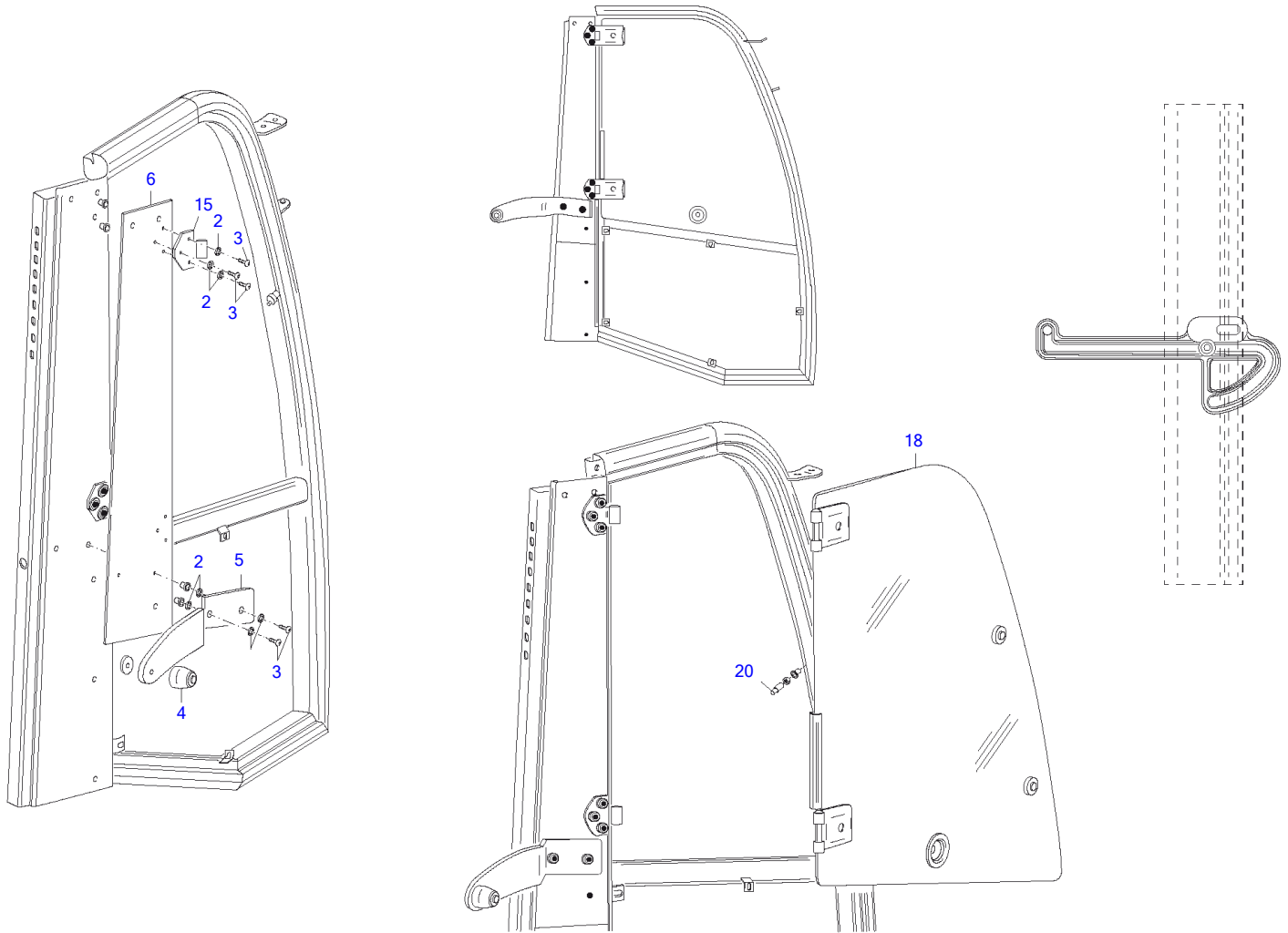
**Window Panes Kit**

Item	Part number	Description	Q'ty	Chan.	Serial No.	Serv.	Remarks
	<b>8020364</b>	Window Panes Kit	1				
1	<b>8022723</b>	Blind Rivet	31				
2	<b>8021152</b>	Washer	10				
3	<b>0893236</b>	Hex Head Screw A3C	10				
4	<b>2664277</b>	Protecting Cap	16				
5	<b>8011164</b>	Protecting Cap	10				
6	<b>0487336</b>	Hex Nut A3C	10				
7	<b>8020807</b>	Washer	10				
8	<b>8020808</b>	Front Window Bracket	10				
9	<b>8020809</b>	Washer	10				
10	<b>8014336</b>	Washer	10				
11	<b>2640735</b>	Oval Head Screw	10				
12	<b>8014333</b>	Washer	10				
13	<b>8015598</b>	Right Foldable Side Window	1				
15	<b>8020810</b>	Rear Window Bracket	2				
16	<b>8015991</b>	180 degree Window Template	1				
17	<b>8021152</b>	Washer A3C	15				
18	<b>8013869</b>	Oval Head Screw	17				
19	<b>8021152</b>	Washer	6				
20	<b>0893236</b>	Hex Head Screw A3C	6				
21	<b>8015994</b>	180 degree Window Hinge	3				
22	<b>8021020</b>	Holder	1				
23	<b>8021021</b>	Lock Support	1				
24	<b>8020813</b>	Rear Screen	1				
25	<b>8020812</b>	Front Screen	1				
26	<b>8013856</b>	Front Door Handle	1				
27	<b>8007057</b>	Pin	1				
28	<b>8013842</b>	Cabin Door Compl	1				
33	<b>8013358</b>	Wiper Blade	1				
34	<b>8020802</b>	Wiper Motor	1				
35	<b>8020803</b>	Wiper Arm	1				
37	<b>8014344</b>	Sealing Profile 4500 MM	1				
38	<b>8014344</b>	Sealing Profile 4300 MM	1				
39	<b>8013857</b>	Pin	2				
41	<b>8022631</b>	Switch 12V	1				
42	<b>1360621</b>	Decal	1				
43	<b>8021022</b>	Wiring Harness	1				
44	<b>8020453</b>	Engine Heating Kit	1				
45	<b>8020453</b>	Heating Kit	1				



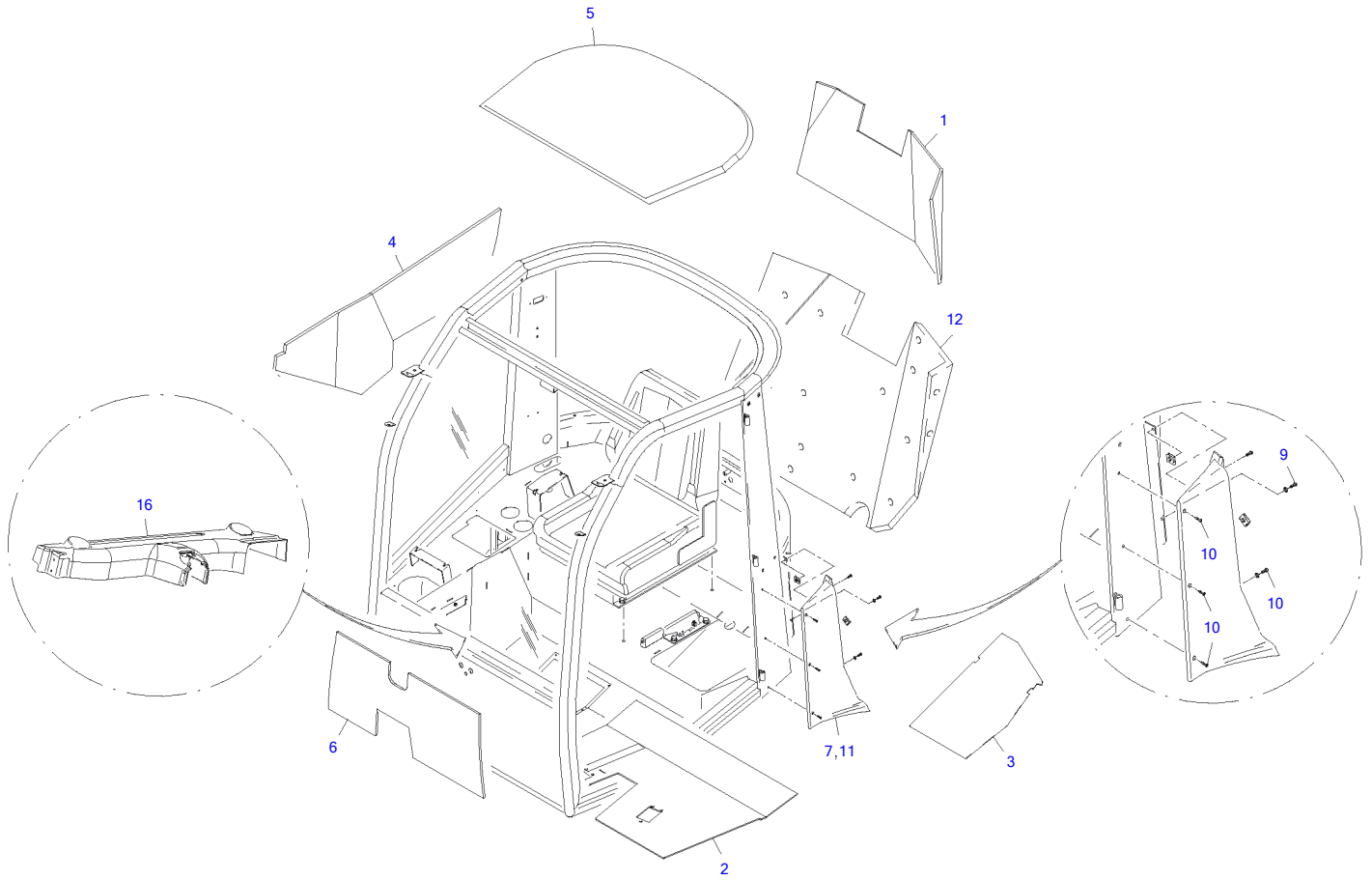
**Cabin Door Compl**

Item	Part number	Description	Q'ty	Chan.	Serial No.	Serv.	Remarks
	<b>8013842</b>	Cabin Door Compl	1				
1	<b>8013843</b>	Door Handle	1				
2	<b>8013844</b>	Door Window	1				
3	<b>8013845</b>	Door Hinge	3				
4	<b>8013846</b>	Intermediate Shim	6				
5	<b>0893383</b>	Hex Head Screw A3C	3				
6	<b>0372098</b>	O-Ring	3				
7	<b>0893054</b>	Washer A3C	2				
8	<b>0327297</b>	Hex Nut A3C	2				
9	<b>8013868</b>	Protecting Cap	2				
10	<b>0399760</b>	Hex Nut A3C	2				
11	<b>1398396</b>	Countersunk Screw	2				
12	<b>0851623</b>	Washer Chr	2				
13	<b>1781959</b>	Interior Lock	1				
14	<b>8013847</b>	Intermediate Shim	1				
15	<b>8013848</b>	Intermediate Shim	1				
16	<b>8013849</b>	Intermediate Shim	1				
17	<b>8013851</b>	Door Lock Covering	1				
18	<b>8013721</b>	Lock	1				
	<b>8008049</b>	Key	1				
19	<b>8013852</b>	Hold-Open Mechanicism	1				
20	<b>8013854</b>	Washer	1				
21	<b>8013855</b>	Rubber Washer	1				
22	<b>0328856</b>	Hex Head Screw A3C	3				
23	<b>8013876</b>	Grommet	1				
24	<b>8013872</b>	Washer	3				
25	<b>8013870</b>	Rubber Profile	1				
26	<b>8013871</b>	Washer	2				
27	<b>8013869</b>	Oval Head Screw	2				
28	<b>8007057</b>	Pin	1				
29	<b>8013856</b>	Front Door Arm Handle	1				
30	<b>8013857</b>	Pin	3				
31	<b>8013866</b>	Locking Washer	3				
32	<b>1781302</b>	Pin	1				
33	<b>1781313</b>	Bracket	1				
34	<b>8013874</b>	Plate for Lock	1				
39	<b>8013877</b>	Grommet	1				

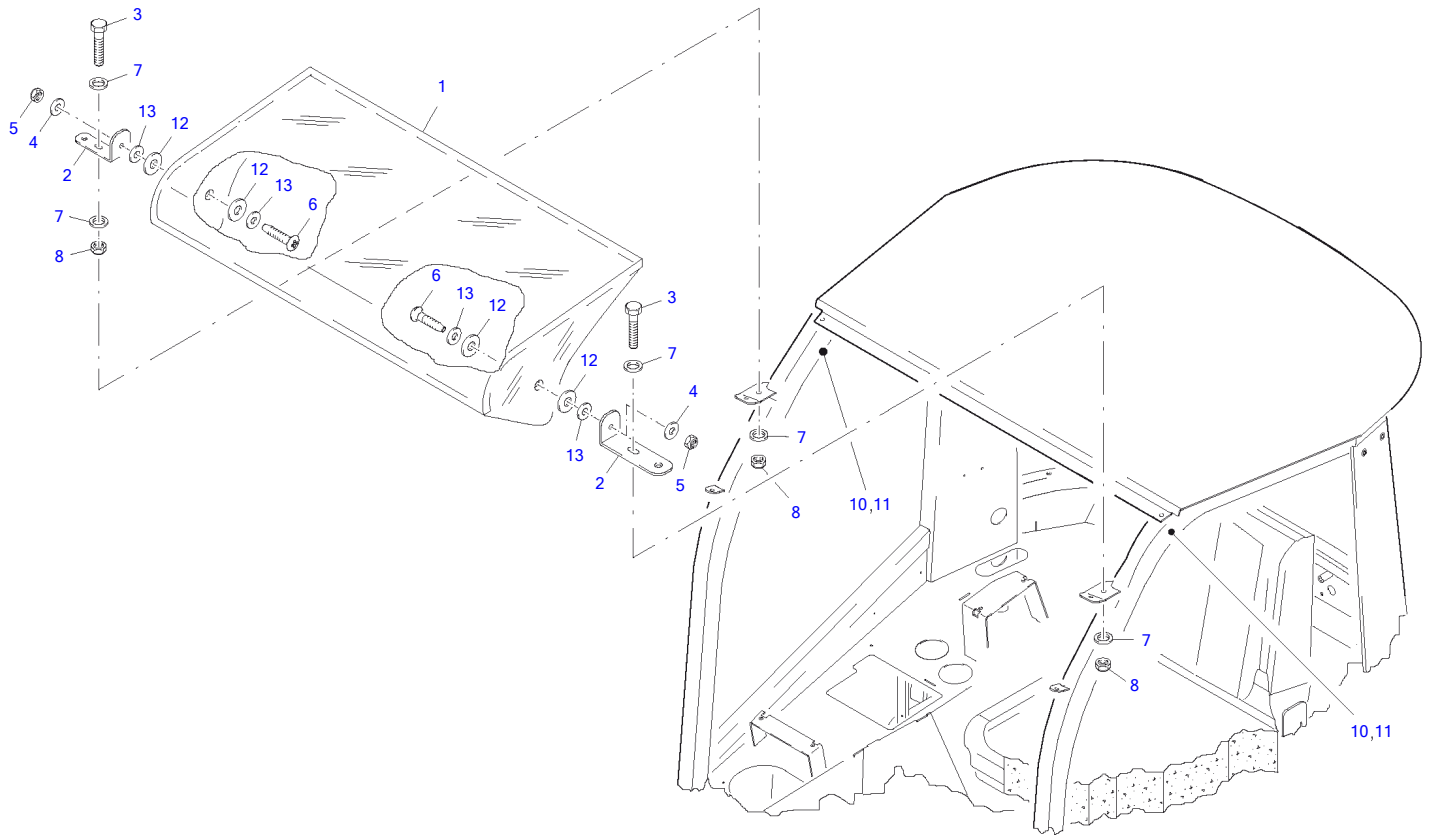


**Hinged Side Window**

Item	Part number	Description	Q'ty	Chan.	Serial No.	Serv.	Remarks
	<b>8015598</b>	Hinged Side Window	1				
2	<b>1356341</b>	Washer A3C	10				
3	<b>8013869</b>	Oval Head Screw	8				
4	<b>8007057</b>	Pin	1				
5	<b>8015990</b>	180 degree Window Arm	1				
6	<b>8015991</b>	180 degree Window Template	1				
15	<b>8015994</b>	180 degree Window Hinge	2				
18	<b>8015992</b>	180 degree HIned window	1				
	<b>8019821</b>	Window Pane	1				
20	<b>8015995</b>	180 degree Window Pin	1				

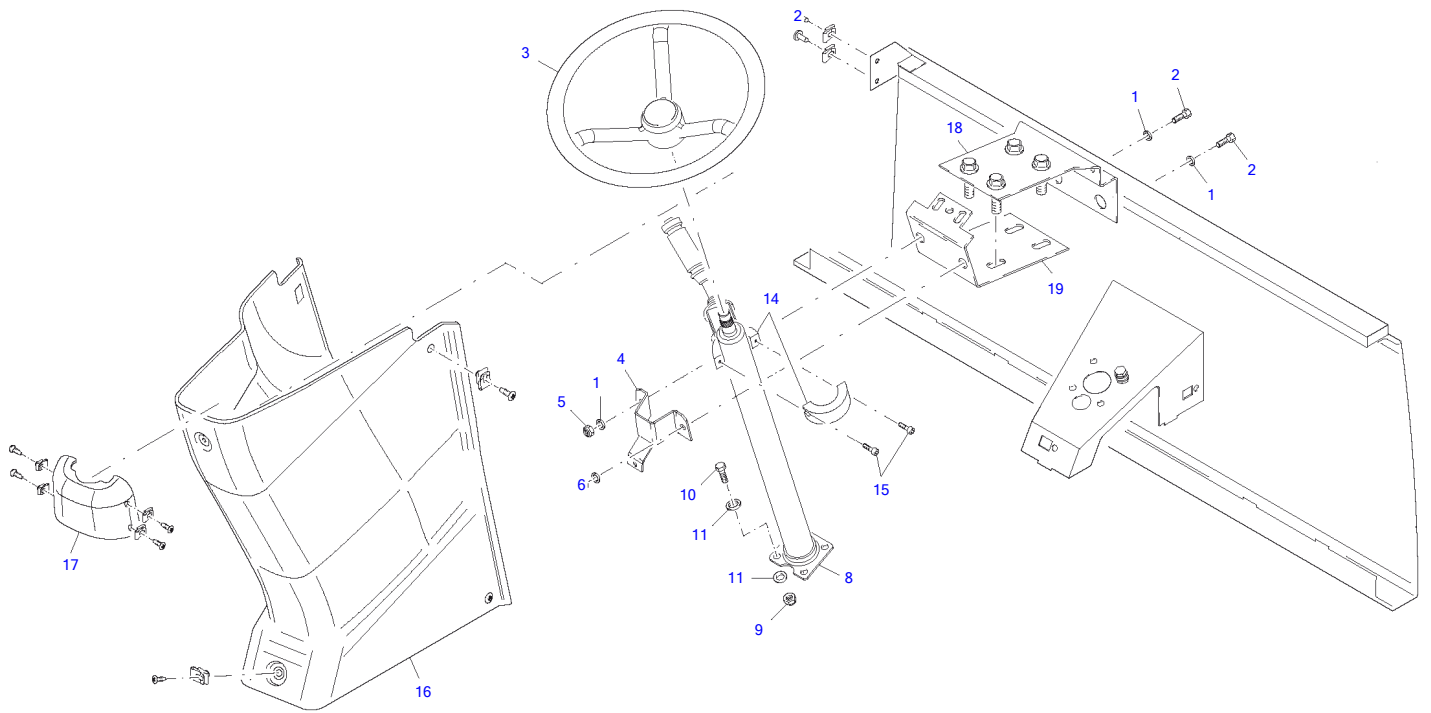


Item	Part number	Description	Lining			
			Q'ty	Chan.	Serial No.	Serv. Remarks
	<b>8014357</b>	Covering Canopy	1			
1	<b>8016803</b>	Damping Material	1			
2	<b>8013339</b>	Mat	1			
3	<b>8013340</b>	Rubber Mat	1			
4	<b>8016802</b>	Damping Material	1			
5	<b>8013341</b>	Inside Roof Lining	1			
6	<b>8013426</b>	Damping Material	1			
7	<b>5820154</b>	Left Covering	1			
9	<b>1356352</b>	Washer A3C	4			
10	<b>8007601</b>	Lens Head Screw	12			
11	<b>5820155</b>	Right Covering	1			
12	<b>8013381</b>	Damping Material	1			
16	<b>8016804</b>	Front Instrument Panel	1			



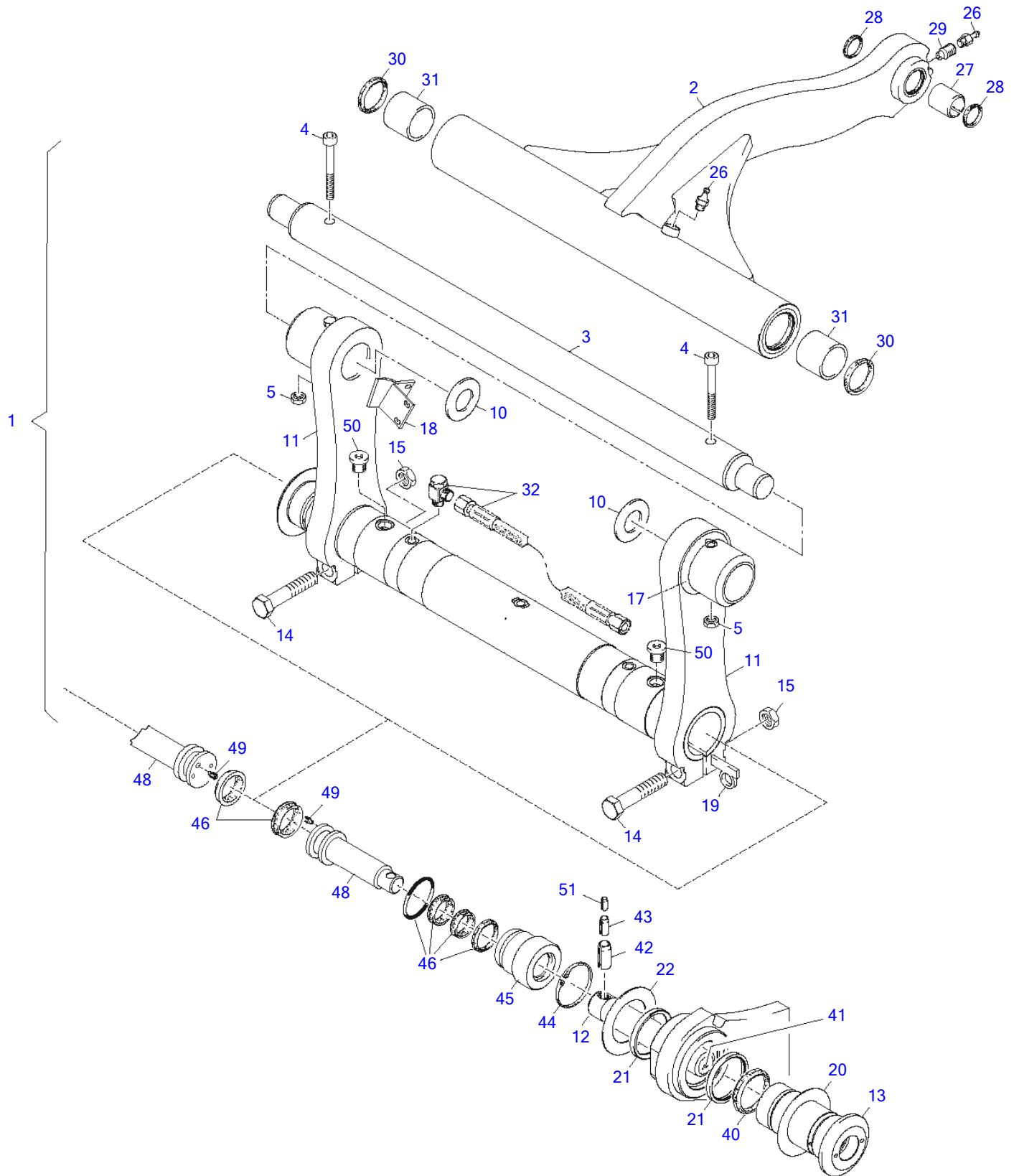


Protective Canopy						
Item	Part number	Description	Q'ty	Chan.	Serial No.	Serv. Remarks
	<b>8015046</b>	Protective Canopy	1			
1	<b>8015043</b>	Protective Canopy	1			
2	<b>8015045</b>	Holder	2			
3	<b>0893214</b>	Hex Head Screw A3C	2			
4	<b>0447985</b>	Washer A3C	4			
5	<b>0487336</b>	Nut A3C	2			
6	<b>1780969</b>	Oval Head Screw	2			
7	<b>1356341</b>	Washer A3C	4			
8	<b>0399760</b>	Nut A3C	2			
10	<b>1749299</b>	Cleaner and Activator	1			
11	<b>2907022</b>	Terostat-92 Black	1			
12	<b>3954576</b>	Washer	4			
13	<b>8019299</b>	Washer A3C	4			



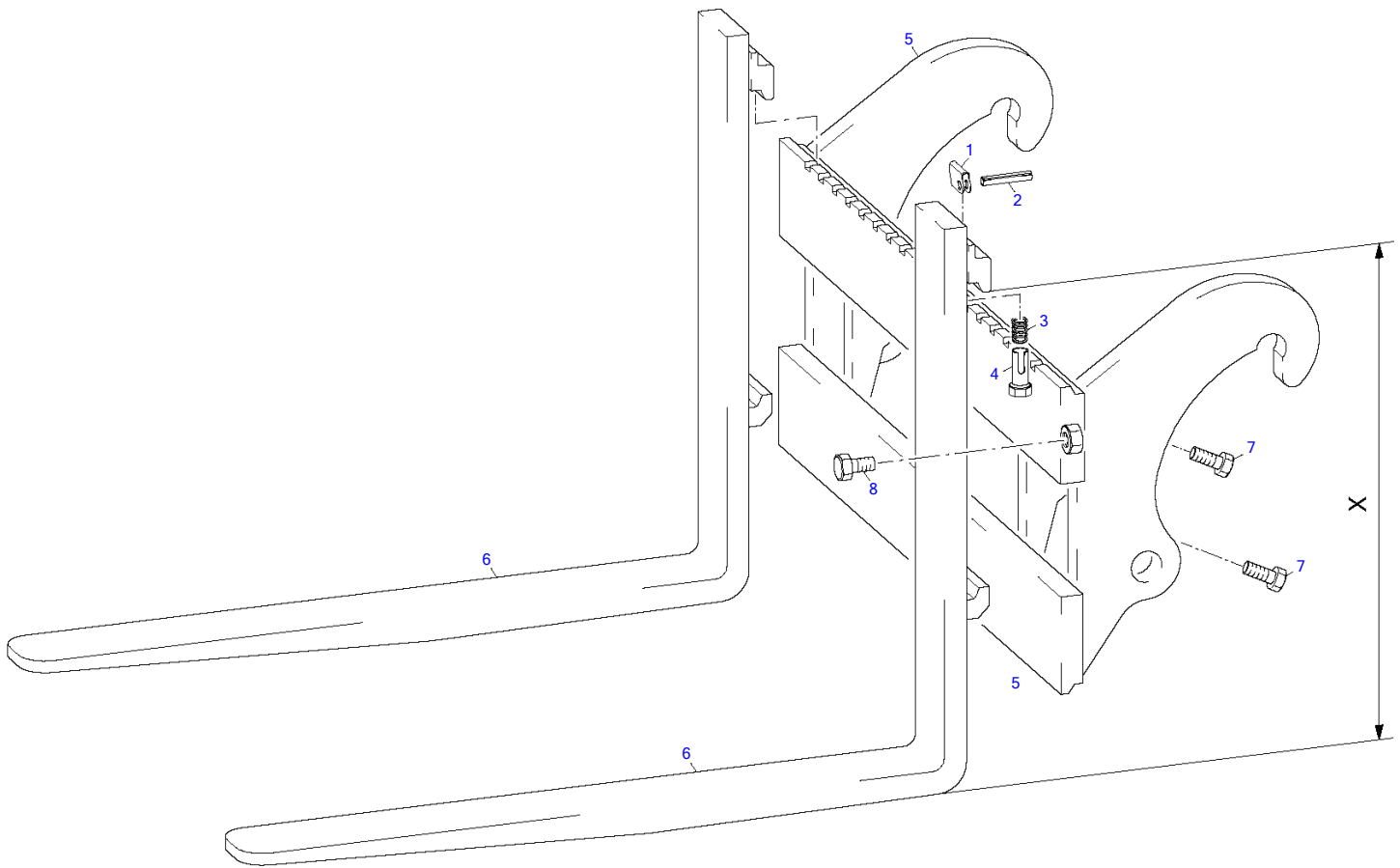
**Steering Column Compl**

Item	Part number	Description	Q'ty	Chan.	Serial No.	Serv.	Remarks
	<b>8014185</b>	Steering Column Compl	1				
1	<b>8013871</b>	Disk	6				
2	<b>0893236</b>	Hex Head Screw A3C	4				
3	<b>8015720</b>	Steering Wheel	1				
	<b>8012032</b>	Slewing Handle Compl	1				
4	<b>8014266</b>	Steering Column Front Holder	1				
5	<b>0876326</b>	Nut	2				
8	<b>8016818</b>	Steering Column Canopy	1				
9	<b>3977379</b>	Nut A3C	4				
10	<b>3983399</b>	Self-Locking Bolt	4				
11	<b>8014268</b>	Disk	4				
14	<b>3926787</b>	Bracket	1				
15	<b>1309184</b>	Hex Head Cap Screw	2				
16	<b>8013470</b>	Steering Column Covering	1				
17	<b>8013471</b>	Steering Column Covering	1				
18	<b>8020679</b>	Steering Column Front Holder	1				
19	<b>8020680</b>	Steering Column Holder	1				



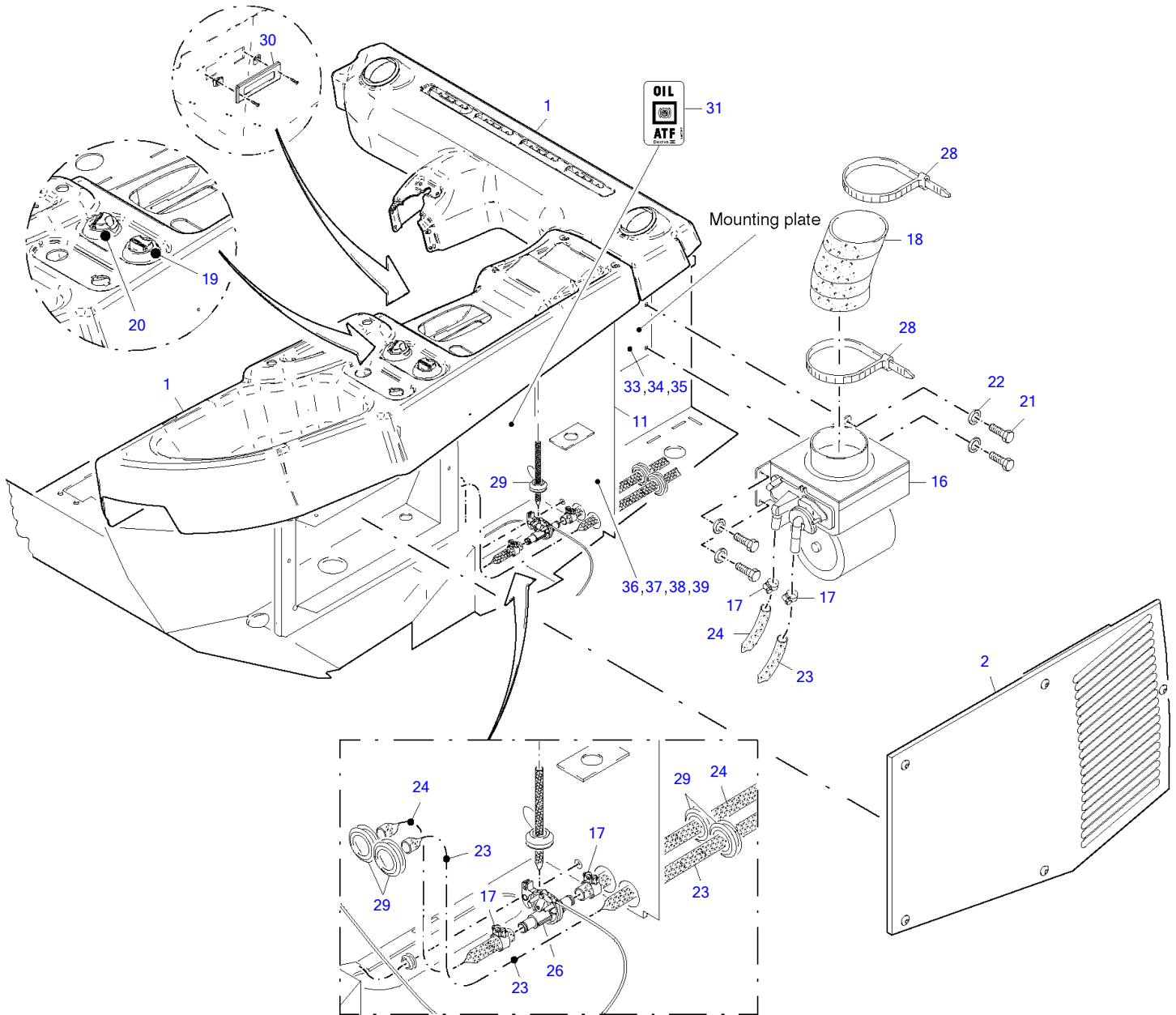
**Hyd Quick Release Eq**

Item	Part number	Description	Q'ty	Chan.	Serial No.	Serv.	Remarks
	<b>8003071</b>	Hyd Quick Release Eq	1				
1	<b>8006719</b>	Hyd Quick Release Ea	1				
	<b>8004487</b>	Locking Ram	1				
2	<b>8003002</b>	Lever Compl	1				
3	<b>2975944</b>	Pin	1				
4	<b>3981751</b>	Hex Head Cap Screw	2				
5	<b>0327297</b>	Nut A3C	2				
10	<b>2909079</b>	Disk 1.0 MM	1				
	<b>2909091</b>	Disk 1.2 MM	1				
	<b>2909104</b>	Disk 1.5 MM	1				
	<b>2909080</b>	Disk 2.0 MM	1				
12	<b>8006971</b>	Locking Pin	1				
13	<b>8003068</b>	Bush	2				
14	<b>0871014</b>	Bolt	2				
15	<b>1007349</b>	Nut A3C	2				
17	<b>8002712</b>	Left Holder	1				
18	<b>8002713</b>	Right Holder	1				
19	<b>8003224</b>	Packing	2				
20	<b>2909137</b>	Disk	2				
21	<b>8002033</b>	Wiper Seal	4				
22	<b>2909137</b>	Disk 1.0 MM	1				
	<b>2909126</b>	Disk 1.2 MM	1				
	<b>2909115</b>	Disk 1.5 MM	1				
	<b>2900434</b>	Disk 2.0 MM	1				
26	<b>0324590</b>	Grease Nipple	2				
27	<b>2971042</b>	Split Bush	1				
28	<b>8001980</b>	Wiper Seal	2				
29	<b>2985537</b>	Threaded Pin	1				
30	<b>0809472</b>	Wiper Seal	2				
31	<b>8004388</b>	Split Bush	2				
32	<b>8003097</b>	Hydraulic	1				
40	<b>8007233</b>	U-Ring	2				
41	<b>1666675</b>	Plug A3C	2				
42	<b>8008026</b>	Clamping Pin	2				
43	<b>8008021</b>	Clamping Pin	2				
44	<b>3976674</b>	Circlip Tone 400	2				
45	<b>8007197</b>	Piston Guide Ring	2				
46	<b>8006428</b>	Packing Set 50/28	1				
48	<b>8007195</b>	Piston Rod Compl	2				
49	<b>8007209</b>	Nozzle	2				
50	<b>1629965</b>	Plug A3C	2				
51	<b>8008020</b>	Clamping Pin	2				



<b>Pallet Fork Compl</b>						
Item	Part number	Description	Q'ty	Chan.	Serial No.	Serv. Remarks
	<b>3705791</b>	Pallet Fork 1000LG 470 MM	1			
	<b>3705804</b>	Pallet Fork 1250LG 470 MM	1			
	<b>3705815</b>	Pallet Fork 1500LG 470 MM	1			
	<b>8000986</b>	Pallet Fork 1000LG 650 MM	1			
	<b>8000987</b>	Pallet Fork 1250LG 650 MM	1			
	<b>8000988</b>	Pallet Fork 1500LG 650 MM	1			
1	<b>1008737</b>	Stop	2			
2	<b>0324056</b>	Adaptor Sleeve	2			
3	<b>0844237</b>	Compression Spring	2			
4	<b>0844226</b>	Pin	2			
5	<b>8003265</b>	Fork Carrier Compl	1			
6	<b>3738438</b>	Forktime 1000LG 470 MM 45 MM	2			
	<b>3738518</b>	Forktime 1250LG 470 MM 45 MM	2			
	<b>3738541</b>	Forktime 1500LB 470 MM 45 MM	2			
	<b>1002399</b>	Forktime 1000LG 650 MM 45 MM	2			
	<b>1718009</b>	Forktime 1250LG 650 MM 45 MM	2			
	<b>1718010</b>	Forktime 1500LG 650 MM 40 MM	2			
7	<b>2986765</b>	V-Plus Bolt	2			
8	<b>0398918</b>	Hex Head Screw A3C	2			

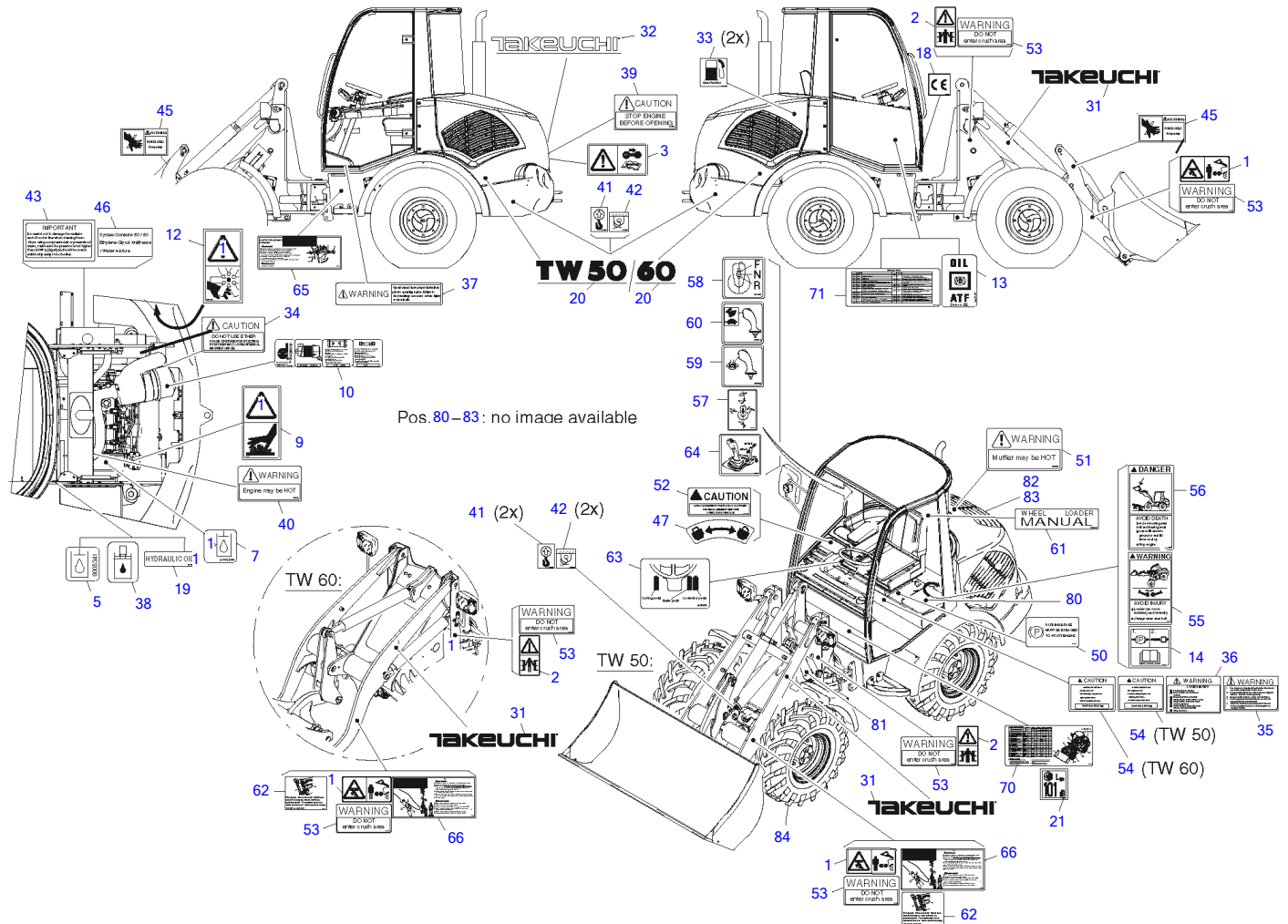
TW60 Book No. 8017235 01.10 S/N E106776  
Heating Kit





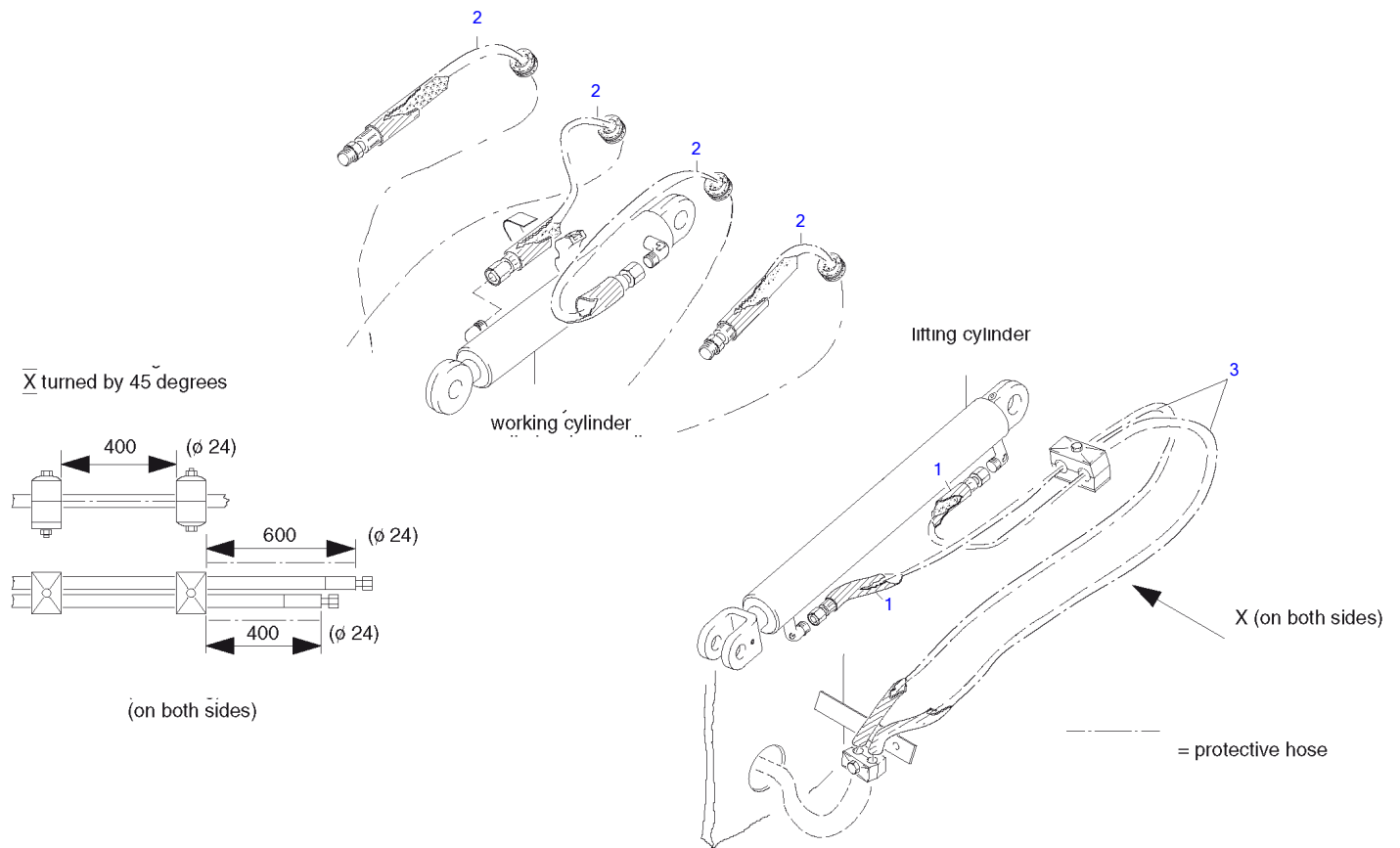
Item	Part number	Description	Heating Kit			Remarks
			Q'ty	Chan.	Serial No.	
	<b>8020453</b>	Heating Kit	1			
1	<b>8013422</b>	Air Diffusion System	1			
2	<b>8014407</b>	Right Side Plate Compl	1			
11	<b>8021396</b>	Intermediate Wall	1			
16	<b>8014423</b>	Heat Exchanger Compl	1			
	<b>8014772</b>	Heat Exchanger	1			
	<b>8014533</b>	Fan 12V	1			
	<b>8016807</b>	Wire Puller 750 MM	1			
17	<b>8020006</b>	Clamp	4			
18	<b>8014424</b>	Hose	1			
19	<b>8014553</b>	Rotary Switch	1			
20	<b>8014554</b>	Temperature Switch	1			
	<b>8014555</b>	Display	1			
21	<b>0893452</b>	Hex Head Screw A3C	4			
22	<b>1304225</b>	Washer A3C	4			
23	<b>2912585</b>	Hose 1920 MM	1			
24	<b>2912585</b>	Hose 1620 MM	2			
26	<b>2981384</b>	Regulating Valve	1			
28	<b>1708449</b>	Tie Wrap	2			
29	<b>8020239</b>	Grommet	5			
30	<b>8013351</b>	Ventilation Flap	1			
31	<b>2447967</b>	Decal	1			
33	<b>1309399</b>	Hex Head Screw A3C	2			
34	<b>0487336</b>	Hex Nut A3C	2			
35	<b>8011164</b>	Protecting Cap	2			
36	<b>8013869</b>	Oval Head Screw	4			
37	<b>0399760</b>	Hex Nut A3C	4			
38	<b>8021152</b>	Washer A2	4			
39	<b>8022723</b>	Blind Rivet	2			

TW60 Book No. 8017235 01.10 S/N E106776  
 Decals & Accessories

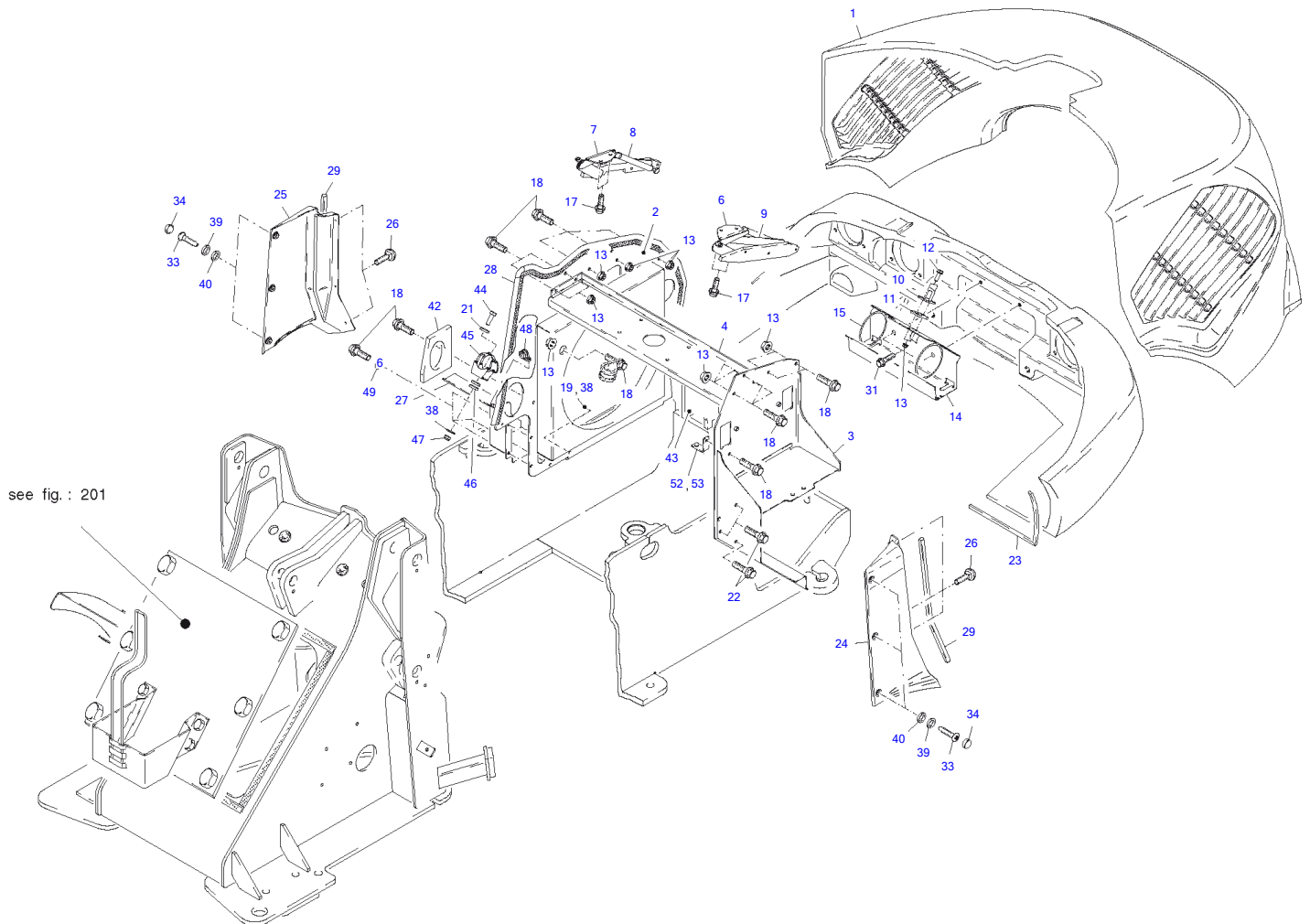


**Decals & Accessories**

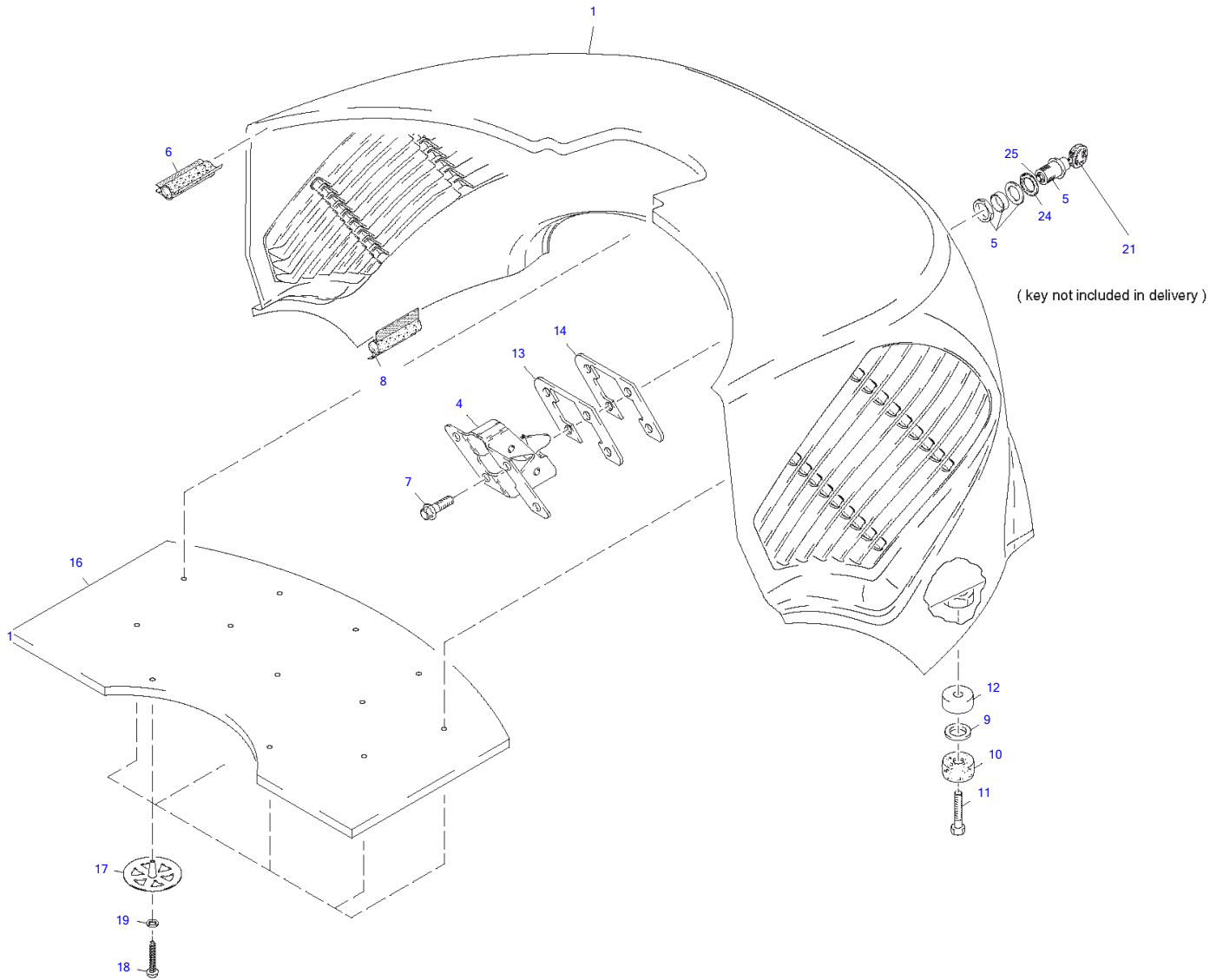
Item	Part number	Description	Q'ty	Chan.	Serial No.	Serv.	Remarks
	<b>8016620</b>	Decals & Accessories	1				
1	<b>8006865</b>	Decal	2				
2	<b>8004895</b>	Decal	2				
3	<b>8006864</b>	Decal	1				
5	<b>8005341</b>	Decal	1				
7	<b>8005466</b>	Decal	1				
9	<b>8004896</b>	Decal	1				
10	<b>2993037</b>	Air Filter Plate	1				
12	<b>8004894</b>	Decal	1				
13	<b>2447967</b>	Decal	1				
14	<b>8005340</b>	Decal	1				
18	<b>2995200</b>	Decal	1				
19	<b>1746661</b>	Decal	1				
20	<b>8016842</b>	Decal	2				
	<b>8016843</b>	Decal	2				
21	<b>8007504</b>	Acoustic Power Decal	1				
31	<b>8016557</b>	Decal	2				
32	<b>8016556</b>	Decal	1				
33	<b>8016484</b>	Decal	2				
34	<b>8016486</b>	Decal	1				
35	<b>8016487</b>	Decal	1				
36	<b>8016488</b>	Decal	1				
37	<b>8016489</b>	Decal	1				
38	<b>8016547</b>	Decal	1				
39	<b>8016548</b>	Decal	1				
40	<b>8016549</b>	Decal	1				
41	<b>8019506</b>	Decal	4				
42	<b>8019507</b>	Decal	4				
43	<b>8016552</b>	Decal	1				
45	<b>8016554</b>	Decal	2				
46	<b>8016485</b>	Decal	1				
47	<b>8016555</b>	Decal	1				
50	<b>8016490</b>	Decal	1				
51	<b>8016491</b>	Decal	1				
52	<b>8016493</b>	Decal	1				
53	<b>8016494</b>	Decal	4				
54	<b>8016503</b>	Decal	1				
	<b>8016504</b>	Decal	1				
55	<b>8016511</b>	Decal	1				
56	<b>8016512</b>	Decal	1				
57	<b>8016533</b>	Decal	1				
58	<b>8016536</b>	Decal	1				
59	<b>8016538</b>	Decal	1				
60	<b>8016540</b>	Decal	1				
61	<b>8016558</b>	Decal	1				
62	<b>8016559</b>	Decal	1				
63	<b>8016565</b>	Decal	1				
64	<b>8016567</b>	Decal	1				
65	<b>8016616</b>	Decal	1				
66	<b>8016617</b>	Decal	1				
70	<b>8016502</b>	Decal	1				
71	<b>8016569</b>	Decal	1				
80	<b>2983591</b>	Handle	1				
81	<b>0806253</b>	Wedge	1				
82	<b>8005871</b>	Tool Box Compl	1				
83	<b>5820197</b>	Stabilizers	1				
	<b>3766056</b>	Stabilizers	1				
84	<b>8012741</b>	Wheel 335/80	4				
	<b>8012740</b>	Tire 405/70	4				
	<b>3933526</b>	Rim 11.0-20ET+10	4				
	<b>0874324</b>	Valve	4				



Item	Part number	Description	Protective Hoses				Remarks
			Q'ty	Chan.	Serial No.	Serv.	
	<b>8016644</b>	Protective Hoses	1				
1	<b>0931459</b>	Flex Tube 900 MM	2				
2	<b>0931459</b>	Flex Tube 1000 MM	2				
	<b>2065716</b>	Flex Tube 400 MM	1				



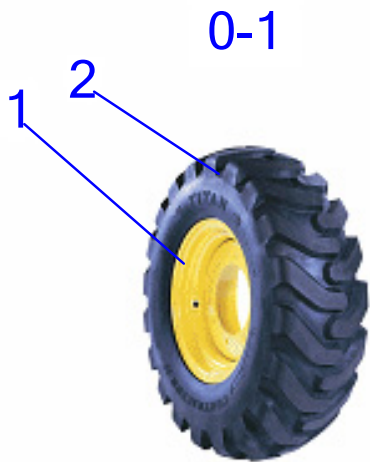
Item	Part number	Description	Covering			
			Q'ty	Chan.	Serial No.	Serv. Remarks
	<b>5820078</b>	Covering				
1	<b>8016808</b>	Engine Hood Compl				
2	<b>5820105</b>	Right Side Plate Compl				
3	<b>5820119</b>	Left Side Plate Compl				
4	<b>5820123</b>	Plate				
6	<b>3930169</b>	Left Joint				
7	<b>3930170</b>	Right Joint				
8	<b>3946167</b>	Gas Spring				
9	<b>3946112</b>	Gas Spring				
10	<b>3975811</b>	Clamp Strap				
11	<b>3948885</b>	Plate				
12	<b>8009775</b>	Serrated Hex Head Screw				
13	<b>1722787</b>	Serrated Nut				
14	<b>3941173</b>	Plate ZN				
15	<b>1784861</b>	Gasket				
17	<b>2449607</b>	Serrated Hex Head Screw				
18	<b>8009782</b>	Serrated Hex Head Screw				
19	<b>1398307</b>	Hex Head Screw A3C				
22	<b>2916794</b>	Self-Locking Bolt				
23	<b>0909304</b>	Profile Rubber 600 MM				
24	<b>5820154</b>	Left Covering				
	<b>8012503</b>	Left Covering				
25	<b>5820155</b>	Right Covering				
	<b>8012504</b>	Right Covering				
26	<b>8007601</b>	Oval Head Screw				
27	<b>5820163</b>	Holder Compl				
28	<b>5820077</b>	Profile Rubber 1700 MM				
29	<b>3976754</b>	Profile Rubber 530 MM				
31	<b>1307104</b>	Hex Head Screw A3C				
33	<b>0493447</b>	Lens Head Screw A3C				
34	<b>3976594</b>	Protecting Cap				
38	<b>2481254</b>	Ripp Washer A3C				
39	<b>3976583</b>	Disk				
40	<b>3937224</b>	Disk				
42	<b>5820281</b>	Damping				
43	<b>5820282</b>	Damping				
44	<b>0893214</b>	Hex Head Screw A3C				
45	<b>3955919</b>	Holder				
46	<b>1356341</b>	Washer A3C				
47	<b>0399760</b>	Nut A3C				
48	<b>2443576</b>	Clip Norma				
53	<b>3962930</b>	Clip Norma				





**Engine Hood Compl**

Item	Part number	Description	Q'ty	Chan.	Serial No.	Serv.	Remarks
	<b>8016808</b>	Engine Hood Compl	1				
1	<b>8016798</b>	Engine Hood	1				
4	<b>3975822</b>	Hood Lock	1				
5	<b>5820277</b>	Lock	1				
6	<b>3930614</b>	Profile Rubber 1190 MM	1				
7	<b>8009775</b>	Serrated Hex Head Screw	4				
8	<b>8015919</b>	Profile Rubber 2375 MM	1				
9	<b>1629567</b>	Washer A3C	2				
10	<b>0466364</b>	Round Buffer	2				
11	<b>3934390</b>	Bolt A3B	2				
12	<b>3946123</b>	Spacer	2				
13	<b>3936405</b>	Plate	1				
14	<b>8011935</b>	Plate Compl	1				
16	<b>8014434</b>	Damping	1				
17	<b>1786874</b>	Clip	11				
18	<b>3963340</b>	Lens Head Screw A3R	11				
19	<b>3754427</b>	Washer A3R	11				
21	<b>8008049</b>	Key	1				
24	<b>3945757</b>	Disk	1				
25	<b>2997224</b>	Serrated Hex Head Screw	1				



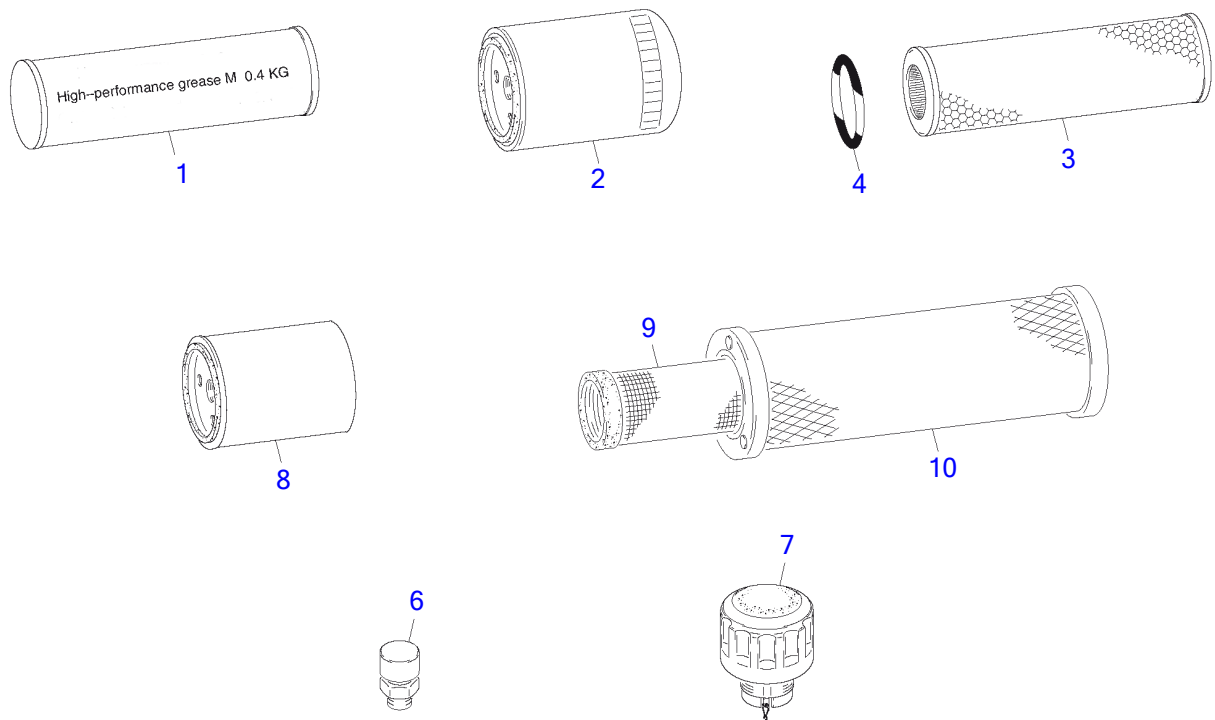
TW 5060 WHEEL HD  
TW 5060 TIRE HD



TW WHEEL HD FL  
TW 5060 TIRE FLOAT

0-1 & 0-2 (1 qty. = 4 assy)

<b>Wheels and Tires</b>						
Item	Part number	Description	Q'ty	Chan.	Serial No.	Serv. Remarks
0-1	<b>BTW50TIREHD</b>	Heavy Duty Construction Tire Assy for TW50/TW60 (4xTire Asy)	1			
1	<b>TW5060WHEELHD</b>	WHEEL 18X9 FOR HD CONSTRUCTION TIRE TW50-60	4			
2	<b>TW5060TIREHD</b>	TIRE 12.5/80X18-10 HD CONSTRUCTION TYPE FOR TW50-60	4			
0-2	<b>BTW50TIREF</b>	Flootation Tire Assy for TW50 /TW60 (4xTire Assy)	1			
3	<b>TWWHEELHDFL</b>	WHEEL 19.5X12.25 FOR TW50-60 FLOAT AND TW65-80 HD	4			
4	<b>TW5060TIREFLOAT</b>	TIRE 15X19.5-8 FLOTATION TYPE FOR TW50-60	4			



**Maintenance Filter Kits**

Item	Part number	Description	Q'ty	Chan.	Serial No.	Serv.	Remarks
	<b>8018800</b>	50 HOUR FILTER KIT TW60	1				
1	<b>0346905</b>	* GREASE CARTRIDGE	5				
2	<b>8018798</b>	* OIL FILTER	1				
3	<b>8012354</b>	* RETURN FILTER	1				
4	<b>2917842</b>	* O-RING	1				
5	<b>3968889</b>	* AIR VENT	2				
6	<b>5820136</b>	* FILLING FILTER	1				
7	<b>8018799</b>	* FUEL FILTER	1				
	<b>8018801</b>	500 HOUR FILTER KIT TW60	1				
1	<b>0346905</b>	* GREASE CARTRIDGE	5				
2	<b>8018798</b>	* OIL FILTER	1				
3	<b>8012354</b>	* RETURN FILTER	1				
4	<b>2917842</b>	* O-RING	1				
5	<b>3968889</b>	* AIR VENT	2				
6	<b>5820136</b>	* FILLING FILTER	1				
7	<b>8018799</b>	* FUEL FILTER	1				
8	<b>2991546</b>	* OUTER AIR FILTER	1				
9	<b>2991557</b>	* INNER AIR FILTER	1				
	<b>TW6028D</b>						

