

TB-35S

228-25

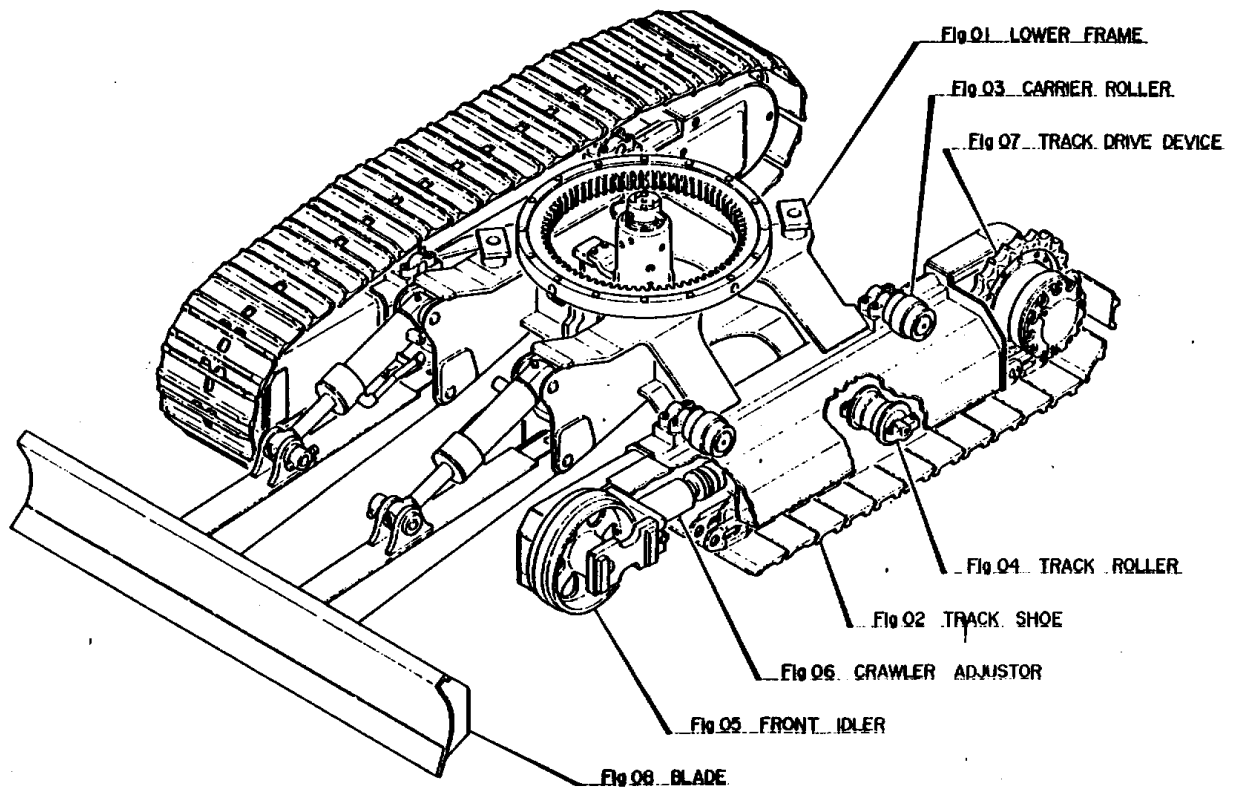
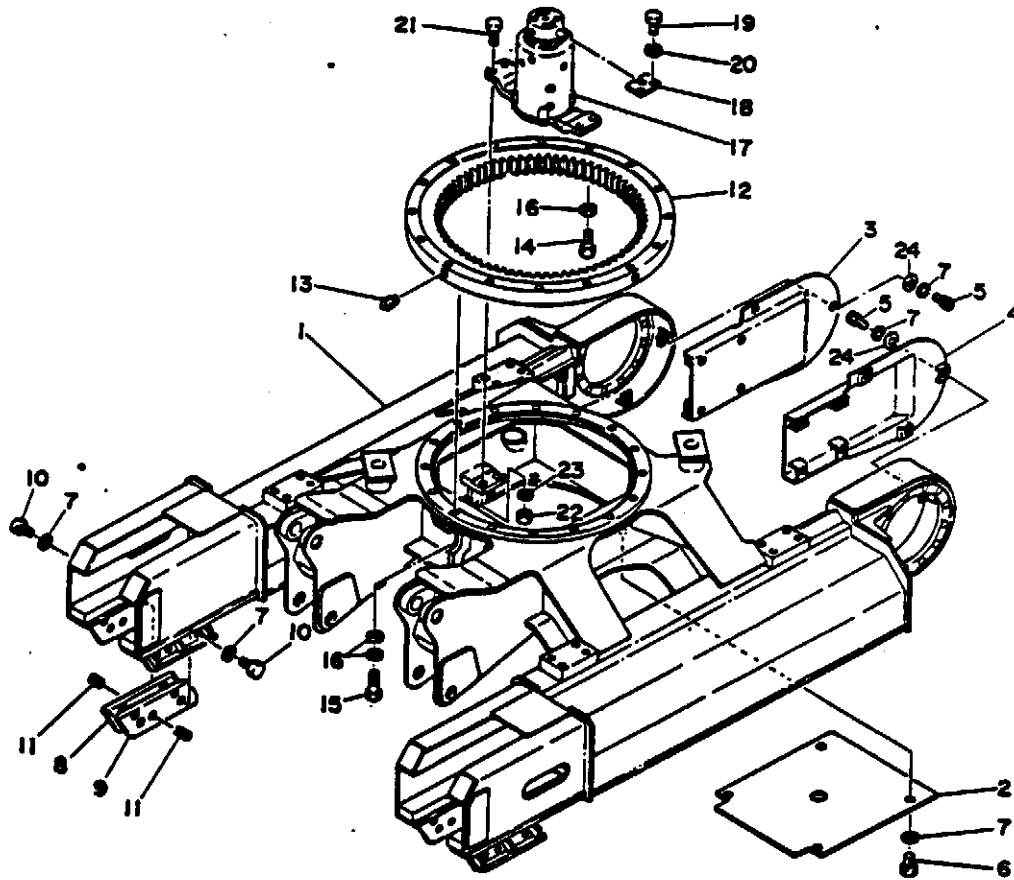


FIG.01 LOWER FRAME



QTY	PARTS NUMBER	DESCRIPTION	REMARKS	QTY	PARTS NUMBER	DESCRIPTION	REMARKS
1	01410-56100	FRAME		2	11415-40010	WASHER	
2	01210-01100	COVER					
3	01410-54900	COVER (R. ID)					
4	01410-55000	COVER (L. ID)					
5	11000-51015	BOLT, Socket	14				
6	11000-51020	BOLT	4				
7	11400-10010	WASHER, Spring	2				
8	01410-53400	GUIDE (R. ID)	2				
9	01410-53600	GUIDE (L. ID)	2				
10	11000-51025	BOLT	16				
11	12130-01025	PIN, Spring	4				
12	19130-23000	BEARING, Slow	1				
13	15600-11000	SHIMPLE, Grease	4				
14	11010-51260	BOLT	16				
15	11000-51260	BOLT	16				
16	11415-40012	WASHER	4				
17	19040-02400	JOINT, Swivel	1				570-512
	19040-03300	JOINT, Swivel	1				512-520
	19040-04100	JOINT, Swivel	1				520-
18	11321-00100	STOPPER	1				
19	11010-51430	BOLT	2				
20	11415-40014	WASHER	2				
21	11010-51240	BOLT	4				
22	11305-50012	NUT	4				
23	11400-10012	WASHER, Spring	4				

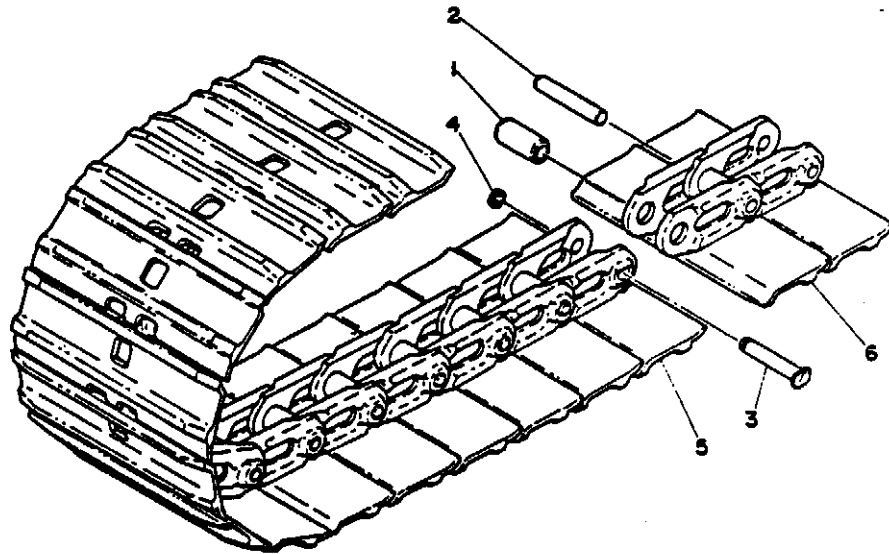
NOTE  
512 -

NOTE 512 -

Fig. 1

Fig. 2

FIG.02 TRACK SHOE

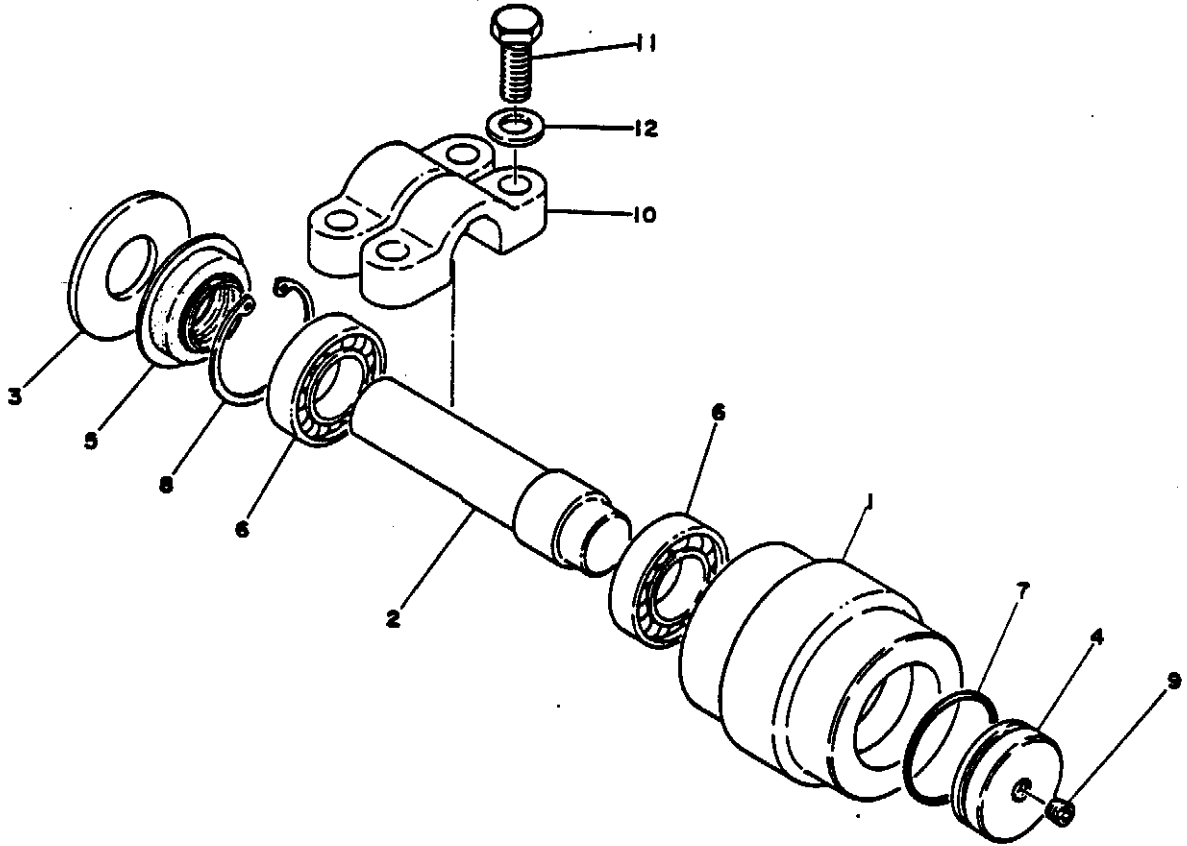


QTY	PARTS NUMBER	DESCRIPTION	QTY	REMARKS
	15700			
01	19140-15100	SHOE ASSY. Track	1	0150-0200
02	19140-15200	SHOE ASSY. Track	1	0250-
1	19140-00205	*BUSHING	4	
2	19140-00209	*PIN. Track	4	
3	19140-14000	*PIN. Master	1	
4	12255-28019	*SPRO-LOX	1	
5	19140-15114	*PLATE ASSY. Master	1	0150-0200
	19140-15214	*PLATE ASSY. Master	1	0250-
6	19140-15013	*PLATE ASSY	4	0150-0200
	19140-15213	*PLATE ASSY	4	0250-

NOTE

0150 -

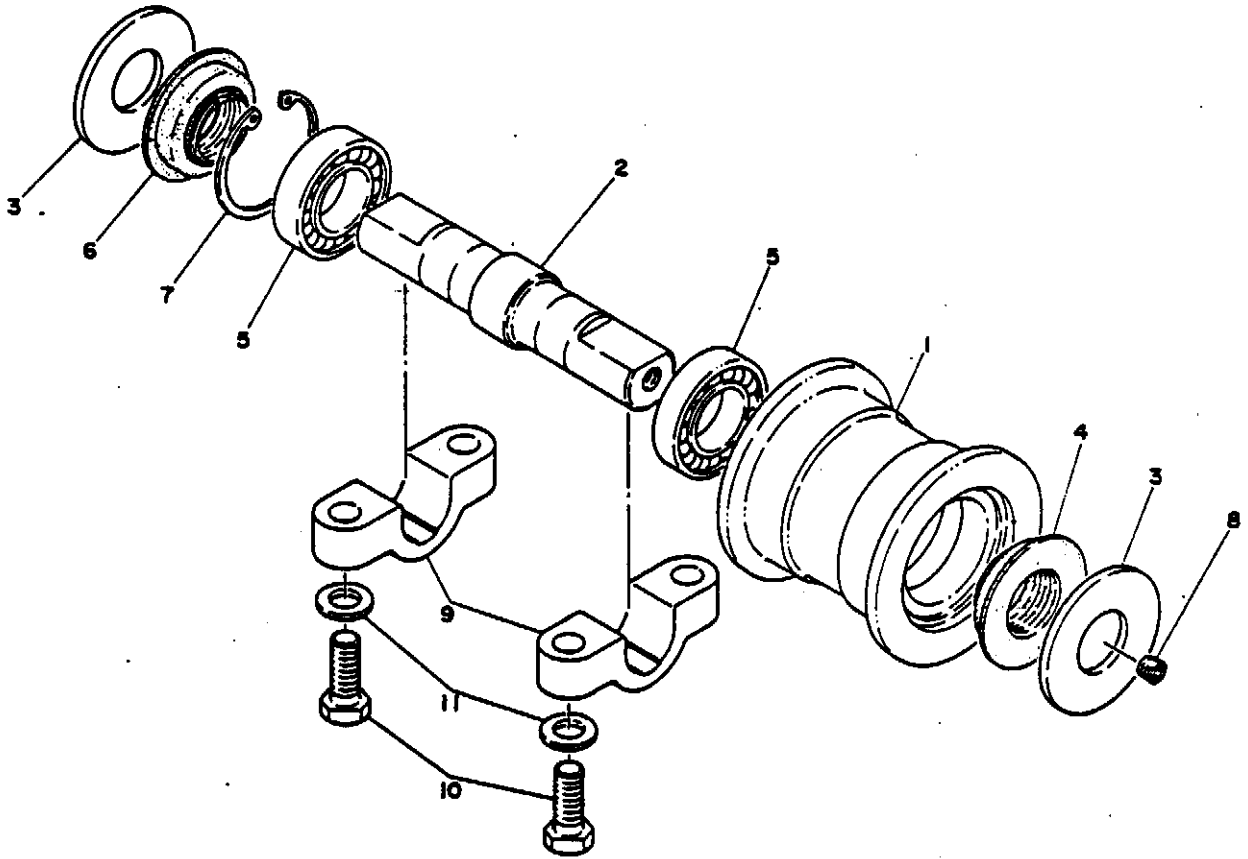
FIG.03 CARRIER ROLLER



QTY	PARTS NUMBER	DESCRIPTION	QTY	REMARKS
01	01412-00000	ROLLER ASSY. Carrier	4	
1	01412-01100	ROLLER	1	
2	01412-01200	SHAFT	1	
3	01412-01300	COVER	1	
4	01712-00400	COVER	1	
5	14312-03002	SEAL Oil	1	
6	13000-05205	BEARING	2	
7	14201-00500	O-RING	1	
8	12210-00002	RING Snap	1	
9	15010-20001	PLUG	1	
10	01613-00300	BRACKET	8	
11	11010-51225	BOLT	8	
12	11415-40012	WASHER	8	

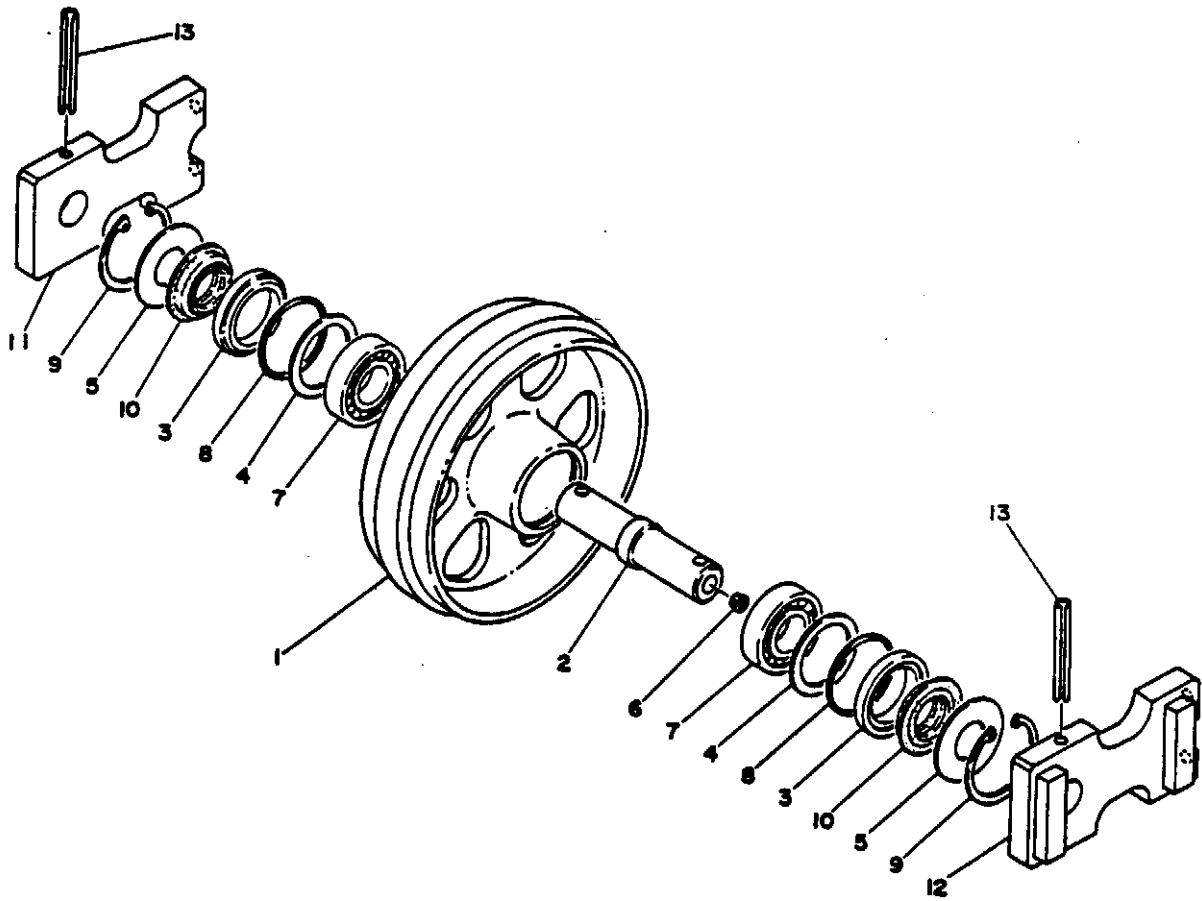
NOTE  
87-

FIG.04 TRACK ROLLER



QTY	PARTS NUMBER	DESCRIPTION	REMARKS
01	01413-90000	ROLLER ASSY. Track	01
1	01413-01100	ROLLER	1
2	01413-01200	SHAFT	1
3	01412-01300	COVER	2
4	14312-02055	SEAL OIL	1
5	13000-06200	BEARING	2
6	14312-03062	SEAL OIL	1
7	12210-00002	RING Snap	1
8	15010-20001	PLUG	1
9	01013-00300	BRACKET	2
10	11010-51235	BOLT	2
11	11415-40012	WASHER	2

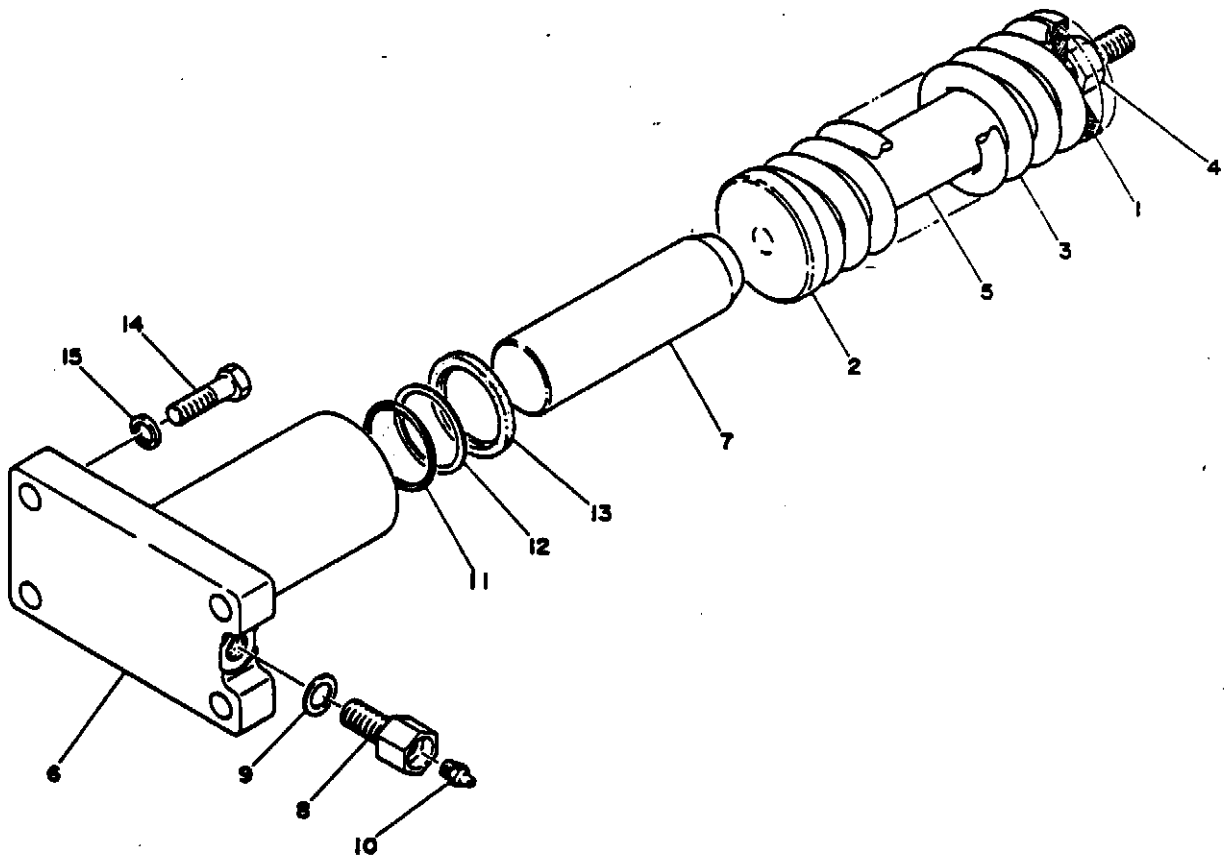
FIG.05 FRONT IDLER



QTY	PARTS NUMBER	DESCRIPTION	QTY	REMARKS
01	01414-90000	IDLER ASSY. Front	2	
1	01414-00100	IDLER	1	
2	01414-00200	SHAFT	1	
3	01614-15000	COLLAR	2	
4	01614-16300	WASHER	2	
5	00036-26002	WASHER	2	
6	15010-20001	PLUG	1	
7	13000-00307	BEARING	2	
8	14200-10700	O-RING	2	
9	12210-00000	WRING Snap	2	
10	14312-03502	SEAL OIL	2	
11	01414-00300	BLOCK (R. H)	2	
12	01414-00400	BLOCK (L. H)	2	
13	12131-01010	PIN Spring	4	

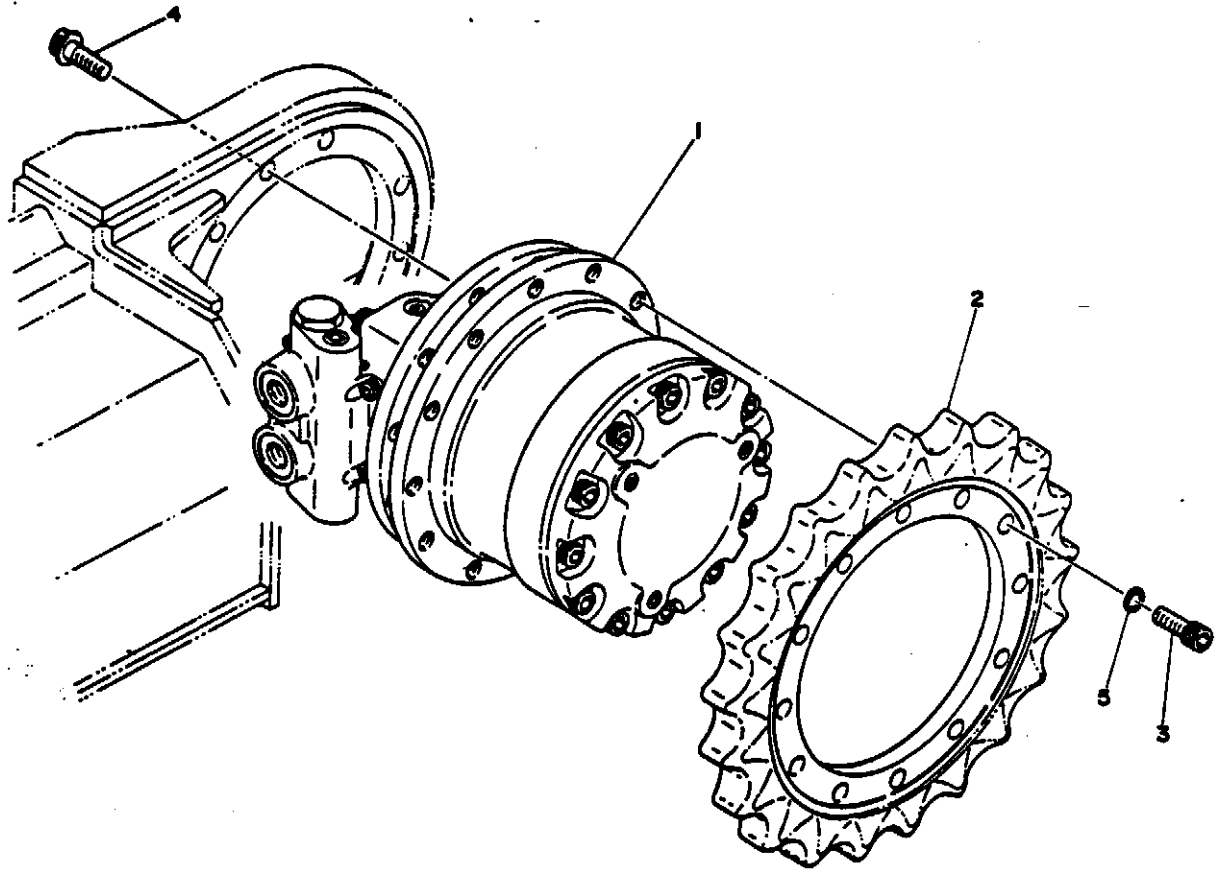


FIG.06 TRACK TENSION



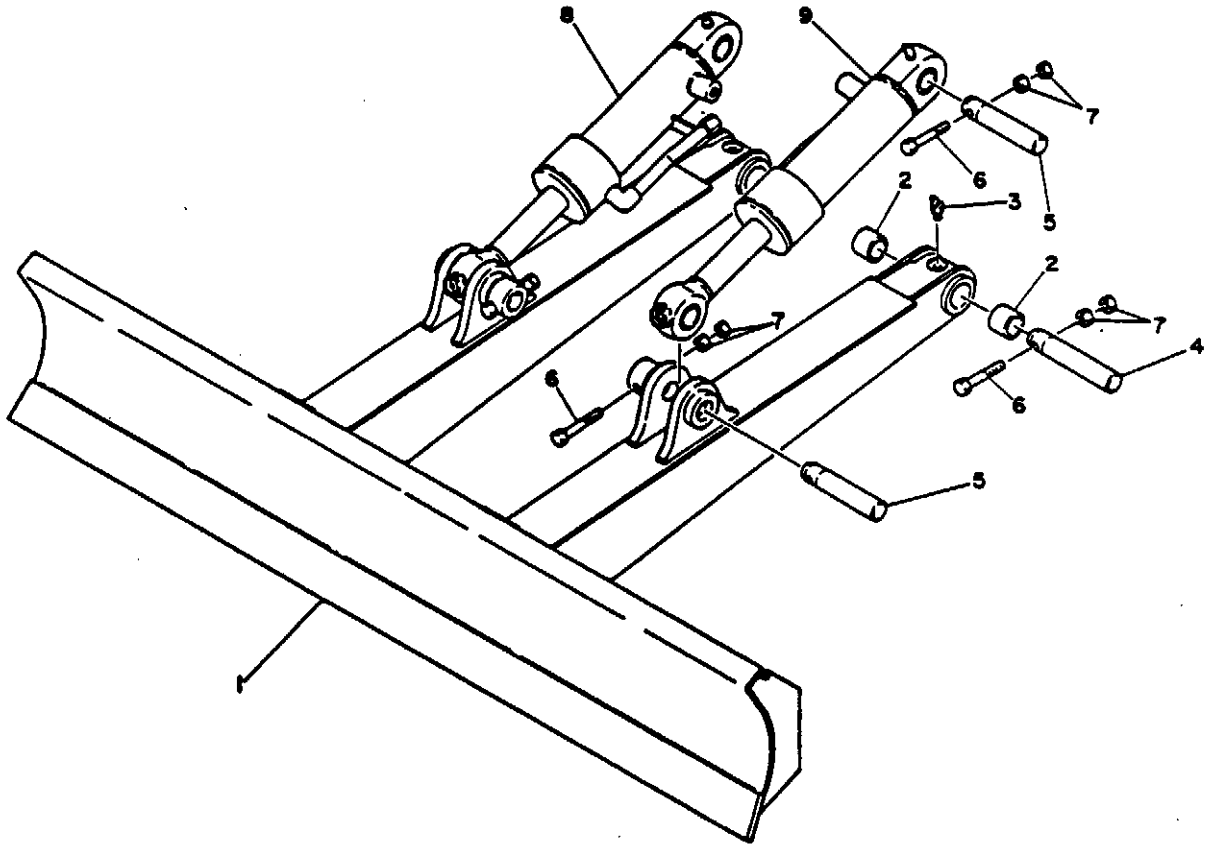
Qty	PARTS NUMBER	DESCRIPTION	Qty	REMARKS
0-1	01315-90200	CUSHION ASSY	2	
1	01715-00500	WSEAT. Spring	1	
2	01715-10600	WROD ASSY	1	
3	00070-00004	WSPRING	1	
4	11300-20020	WNUT	1	
5	01315-01700	WPIPE	1	
6	02615-00100	CYLINDER. Grease	2	
7	02215-20300	PISTON	2	
8	15413-01601	VALVE ASSY. Check	2	
9	15412-01616	PACKING	2	
10	15600-01000	NIPPLE. Grease	2	
11	14200-10500	O-RING	2	
12	14210-20500	RING. Back-up	2	
13	14004-02035	SEAL. OIL	2	
14	11010-51245	BOLT	8	
15	11400-00012	WASHER. Spring	8	

FIG.07 TRACK GEARBOX



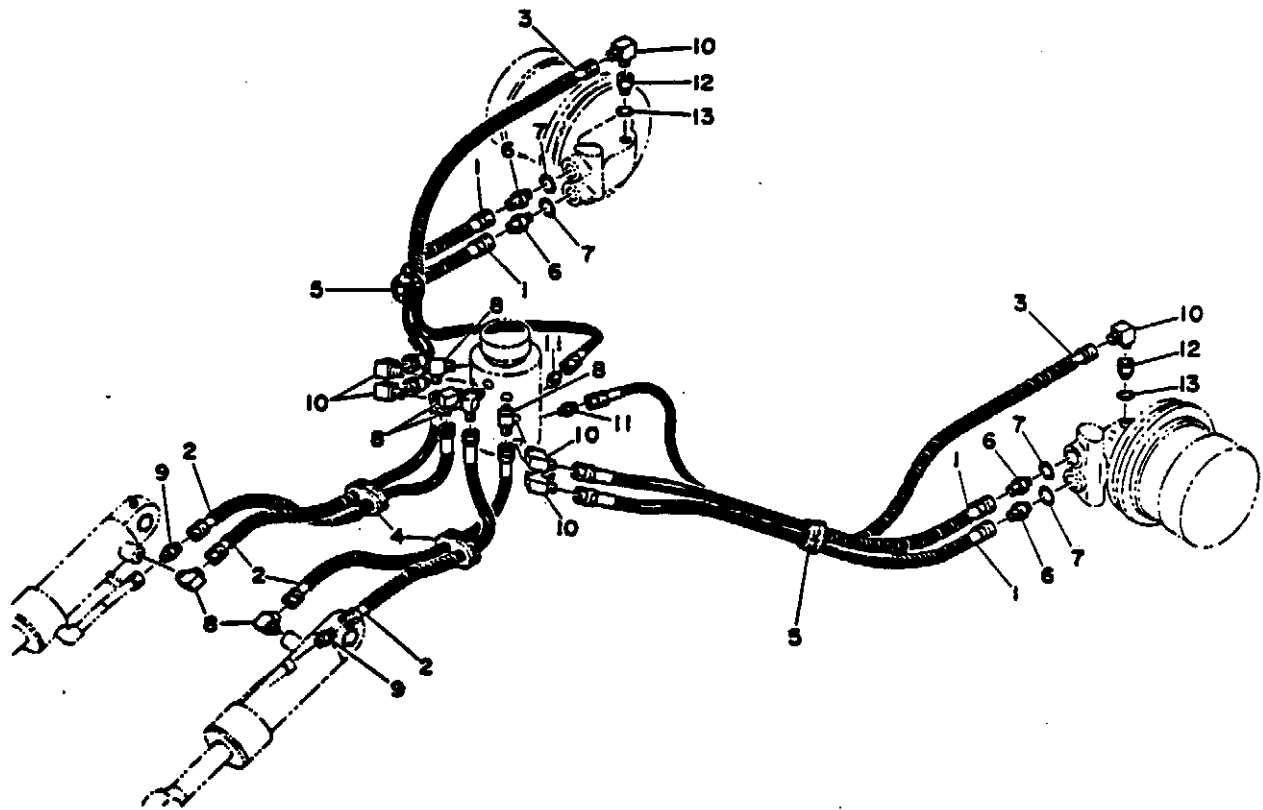
PARTS NUMBER	DESCRIPTION	Qty	REMARKS
1	19838-03988 MOTOR ASSY. Traction	1	
2	81416-54100 SPROCKET	1	
3	11100-81230 BOLT. Socket	24	
4	11115-81235 BOLT. Socket	24	SIZE -
5	11400-10012 WASHER. Spring	24	

FIG.08 BLADE



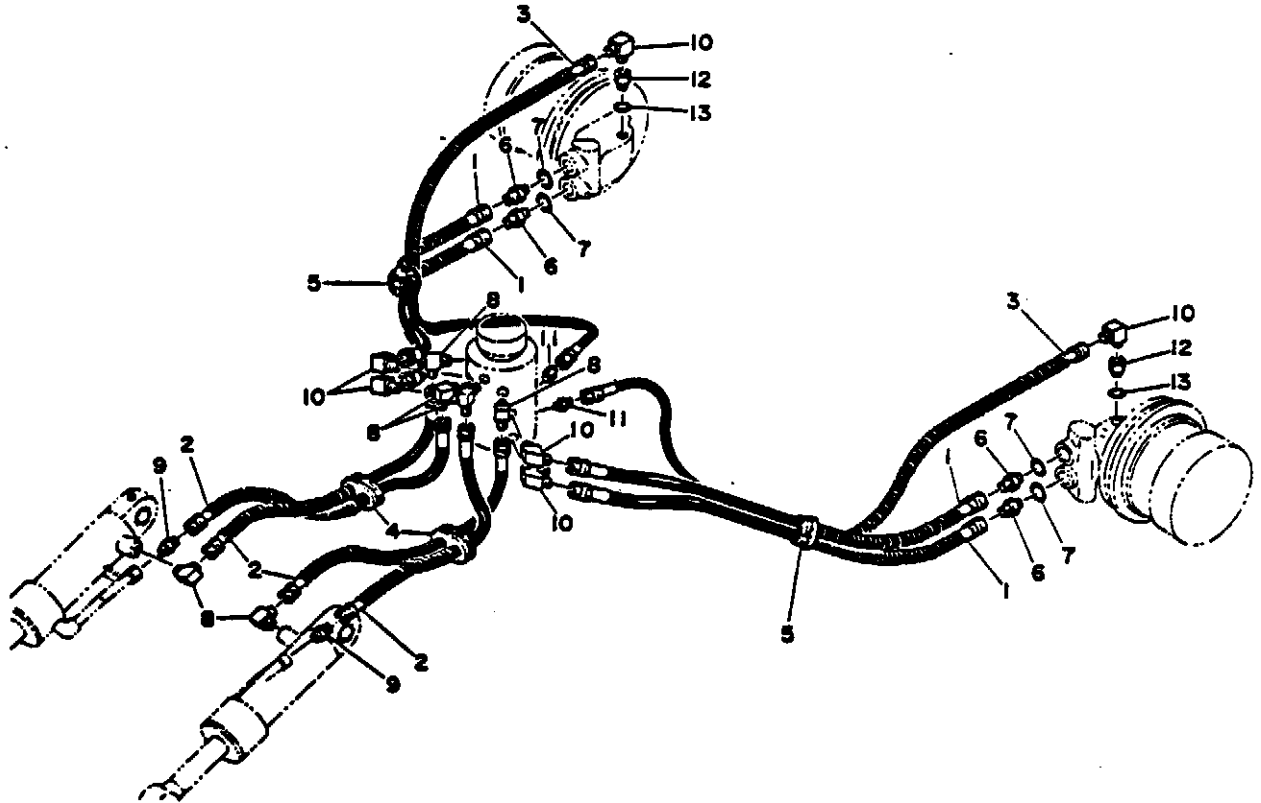
QTY	PARTS NUMBER	DESCRIPTION	QTY	REMARKS
01	01463-90000	BLADE ASSY	1	
1	01463-31200	BLADE	1	
2	00020-30030	BUSHING	4	
3	15000-01075	GRIPPLE Grease	2	
4	01363-00200	PIN	2	
5	01363-00300	PIN	4	
6	11000-51070	BOLT	6	
7	11300-50010	NUT	12	
8	19000-12400	CYLINDER ASSY (RD)	1	
9	19000-12500	CYLINDER ASSY (LD)	1	

FIG.09-1 PIPING, LOWER



QTY	PARTS NUMBER	DESCRIPTION	QTY	REMARKS
4	19086-12085	HOSE ASSY	4	
4	19086-09070	HOSE ASSY	4	
2	19095-06092	HOSE ASSY	2	
2	00972-10300	GUARD	2	
2	01772-25100	GUARD	2	
4	15131-00016	ADAPTOR	4	
4	14203-10908	O-RING	4	
6	15111-00002	ELBOW, 90°	6	
2	15110-00002	ADAPTOR	2	
6	15111-00004	ELBOW, 90°	6	
2	15110-00002	ADAPTOR	2	
2	15134-00001	ADAPTOR	2	
2	14200-10140	O-RING	2	

FIG.09-2 PIPING, LOWER



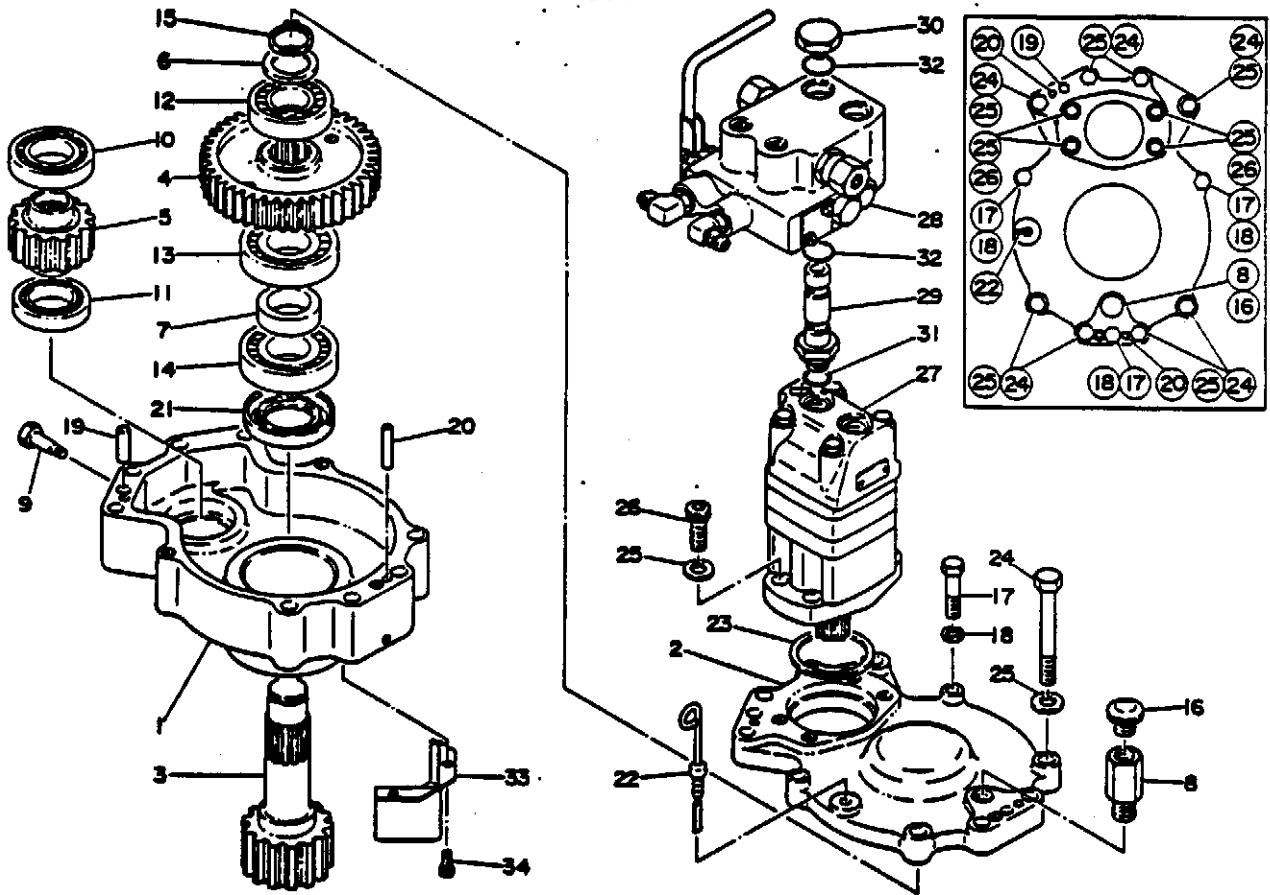
Qty	PARTS NUMBER	DESCRIPTION	Qty	REMARKS
	1	19086-12005 NOSE ASSY	4	
	2	19088-63078 NOSE ASSY	4	
	3	19095-06098 NOSE ASSY	2	
	4	01472-56100 GUARD	2	
	5	01772-25100 GUARD	2	
	6	15131-00016 ADAPTOR	4	
	7	14293-10908 O-RING	4	
	8	15111-00003 ELBOW, 90°	6	
	9	15110-00003 ADAPTOR	2	
	10	15111-00004 ELBOW, 90°	6	
	11	15110-00002 ADAPTOR	2	
	12	15114-00001 ADAPTOR	2	
	13	14289-10140 O-RING	2	

NOTE

SEE - for Details

FIG. 2

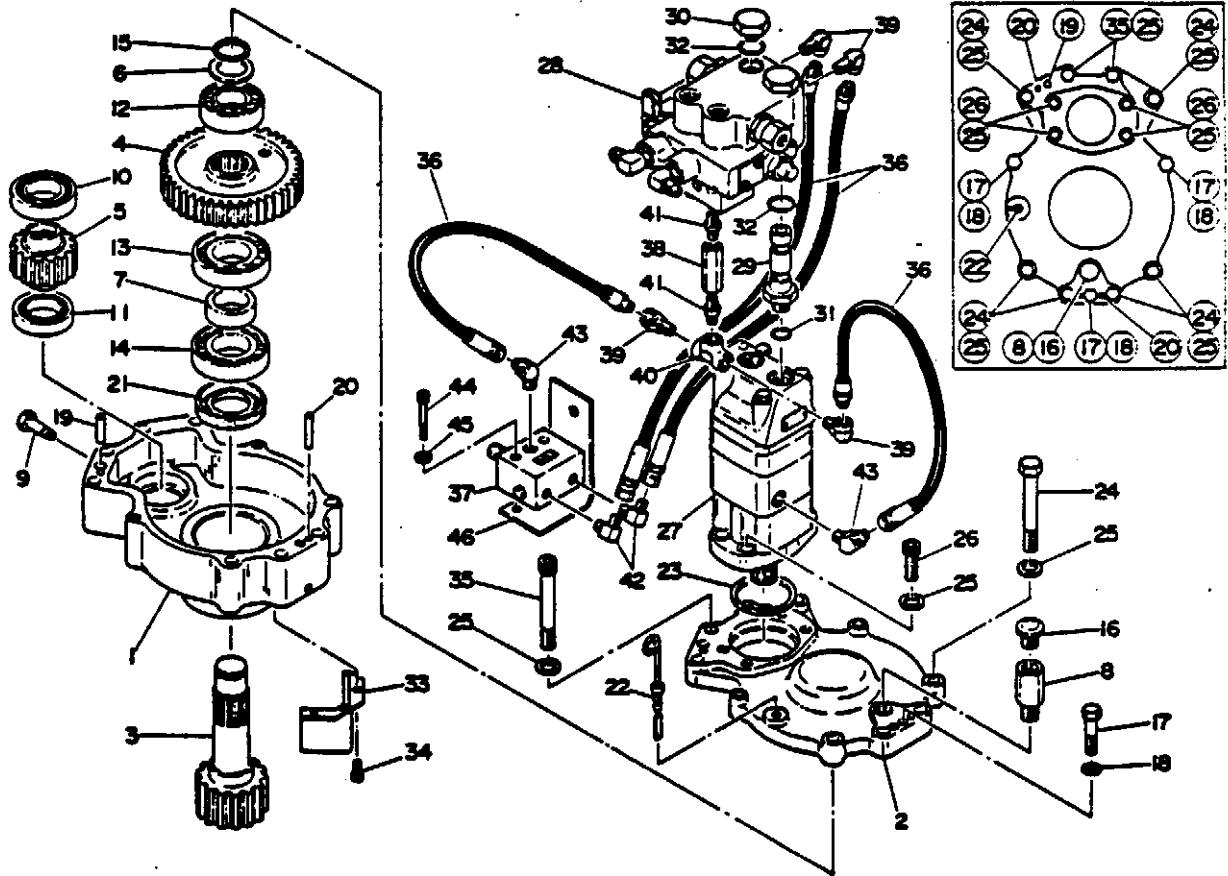
FIG.10-1 SLEW GEARBOX



QTY	PARTS NUMBER	DESCRIPTION	QTY	REMARKS
0-1	01123-00100	GEARBOX ASSY	1	
1	01423-10100	*CASE	1	
2	01423-00200	*COVER	1	
3	01123-20300	*PINION	1	
4	01423-00500	*GEAR	1	
5	01423-10000	*GEAR	1	
6	00030-35500	*WASHER	1	
7	00030-41000	*COLLAR	1	
8	00072-00012	*BUSHING	1	
9	01300-10700	*PLUG	1	
10	13000-00200	*BEARING	1	
11	13000-00000	*BEARING	1	
12	13001-00307	*BEARING	1	
13	13000-00300	*BEARING	1	
14	13000-99300	*BEARING	1	
15	12200-00033	*RING, Snap	1	
16	15540-00004	*CAP. OIL	1	
17	11000-51050	*BOLT	3	
18	11400-10010	*WASHER, Spring	3	
19	12120-01030	*PIN, Dowel	1	
20	12120-00045	*PIN, Dowel	2	
21	14002-02007	*SEAL, OIL	1	
22	15531-10403	*GAUGE	1	
23	00030-00007	*WASHER	1	
24	11011-51210	*BOLT	2	

QTY	PARTS NUMBER	DESCRIPTION	QTY	REMARKS
25	11415-00012	WASHER	2	
26	11110-51235	BOLT, Socket	4	
27	19030-04100	MOTOR ASSY	1	
28	19017-02500	VALVE	1	
29	00072-00010	FITTING	2	
30	00072-00009	PLUG	2	
31	14203-10910	O-RING	2	
32	14200-10250	O-RING	4	
33	01423-17100	COVER	1	30-
34	11100-50614	BOLT, Socket	2	

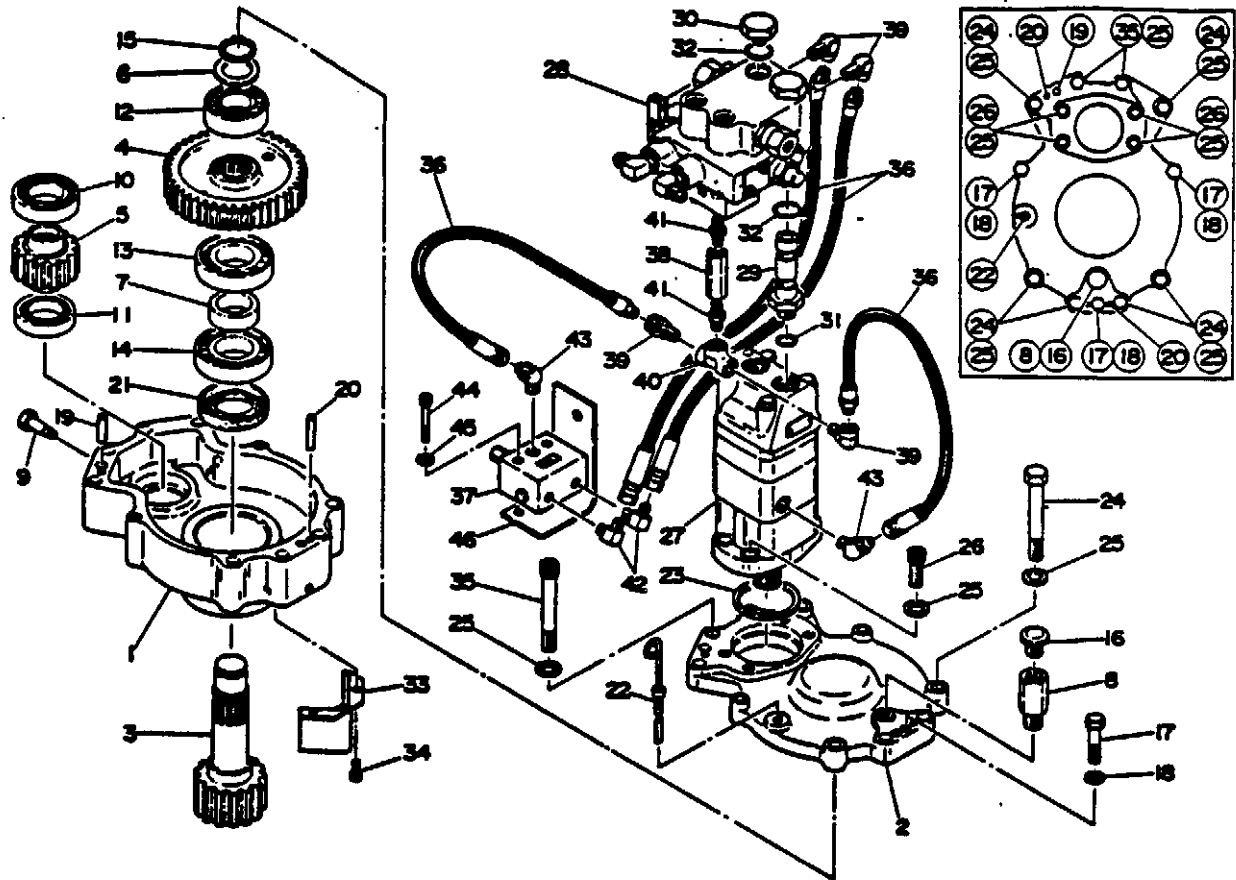
FIG.10-2 SLEW GEARBOX



Qty	PARTS NUMBER	DESCRIPTION	REMARKS	Qty	PARTS NUMBER	DESCRIPTION	REMARKS
1	01123-00100	GEARBOX ASSY	1	25	11415-40012	WASHER	12
1	01423-10100	*CASE	1	26	11110-51235	BOLT, Socket	4
2	01423-00200	*COVER	1	27	19030-06000	MOTOR ASSY	1
3	01123-20300	*PINION	1	28	19017-06000	VALVE	1
4	01423-00500	*GEAR	1	29	00072-00010	FITTING	2
5	01423-10600	*GEAR	1	30	00072-00000	PLUG	2
6	00036-35505	*WASHER	1	31	14203-10910	O-RING	2
7	00030-41020	*COLLAR	1	32	14200-10250	O-RING	4
8	00072-00012	*BUSHING	1	33	01423-17100	COVER	1
9	01300-10700	*PLUG	1	34	11100-50614	BOLT, Socket	2
10	13000-00200	*BEARING	1	35	11111-51210	BOLT, Socket	2
11	13000-00300	*BEARING	1	36	19000-02040	NOSE ASSY	4
12	13001-00307	*BEARING	1	37	19017-05300	VALVE, Shuttle & Relief	1
13	13000-00200	*BEARING	1	38	15401-00050	VALVE, Check	1
14	13000-99300	*BEARING	1	39	15013-00002	ELBOW, 90°	4
15	12200-00035	*RING, Snap	1	40	15012-00002	TEE	1
16	15540-00004	*CAP, Oil	1	41	15015-00002	CONNECTOR	2
17	11000-51050	*BOLT	3	42	15111-00002	ELBOW, 90°	2
18	11400-10010	*WASHER, Spring	3	43	15112-00002	ELBOW, 45°	2
19	12120-01030	*PIN, Dowel	1	44	11000-40855	BOLT	2
20	12120-00045	*PIN, Dowel	2	45	11400-10000	WASHER, Spring	2
21	14002-02007	*SEAL, Oil	1	46	01423-20600	BRACKET	1
22	15531-12403	*GAUGE	1				
23	00036-00007	*WASHER	1				
24	11011-51210	*BOLT	6				

NOTE 017 - for Slew

FIG.10-3 SLEW GEARBOX



Qty	PARTS NUMBER	DESCRIPTION	Qty	REMARKS	Qty	PARTS NUMBER	DESCRIPTION	Qty	REMARKS
1	01123-90100	GEARBOX ASSY	1		25	11415-40012	WASHER	25	
1	01423-16100	★CASE	1		26	11110-51235	BOLT, Socket	4	
2	01423-00300	★COVER	1		27	19030-00000	MOTOR ASSY	1	
3	01123-20300	★PINION	1		28	19017-00000	VALVE	1	
4	01423-00500	★GEAR	1		29	00072-00010	FITTING	2	
5	01423-10000	★GEAR	1		30	00072-00009	PLUG	2	
6	00036-35505	★WASHER	1		31	14203-10910	O-RING	2	
7	00030-41020	★COLLAR	1		32	14200-10250	O-RING	4	
8	00073-00012	★BUSHING	1		33	01423-17100	COVER	1	
9	01320-10700	★PLUG	1		34	11100-50014	BOLT, Socket	2	
10	13000-00200	★BEARING	1		35	11111-51210	BOLT, Socket	2	
11	13000-00000	★BEARING	1		36	19000-00040	NOSE ASSY	4	
12	13001-00307	★BEARING	1		37	19017-05300	VALVE, Shuttle & Relief	1	
13	13000-00300	★BEARING	1		38	15401-00059	VALVE, Check	1	
14	13000-00300	★BEARING	1		39	15013-00002	ELBOW, 90°	4	
15	12200-00035	★RING, Snap	1		40	15012-00002	TEE	1	
16	15540-00004	★CAP, Oil	1		41	15015-00002	CONNECTOR	2	
17	11000-51050	★BOLT	3		42	15111-00002	ELBOW, 90°	2	
18	11400-10010	★WASHER, Spring	2		43	15112-00002	ELBOW, 45°	2	
19	12120-01030	★PIN, Dowel	1		44	11000-40035	BOLT	2	
20	12120-00045	★PIN, Dowel	2		45	11400-10000	WASHER, Spring	2	
21	14002-02007	★SEAL, Oil	1		46	01423-20000	BRACKET	1	
22	15531-12403	★GAUGE	1						
23	00036-00007	★WASHER	1						
24	11011-51210	★BOLT	6						

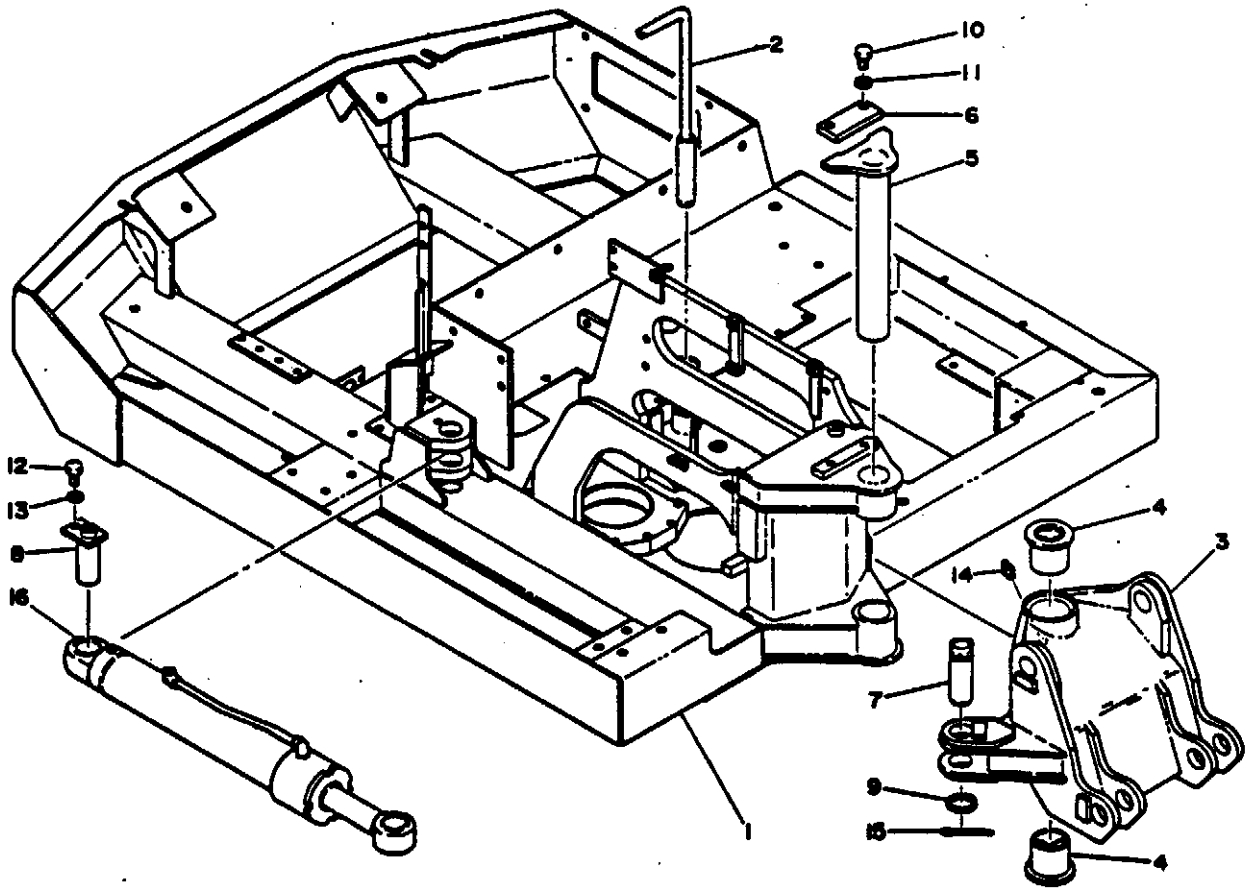
NOTE 015 ~ For Motor

Fig. 3

Fig. 3

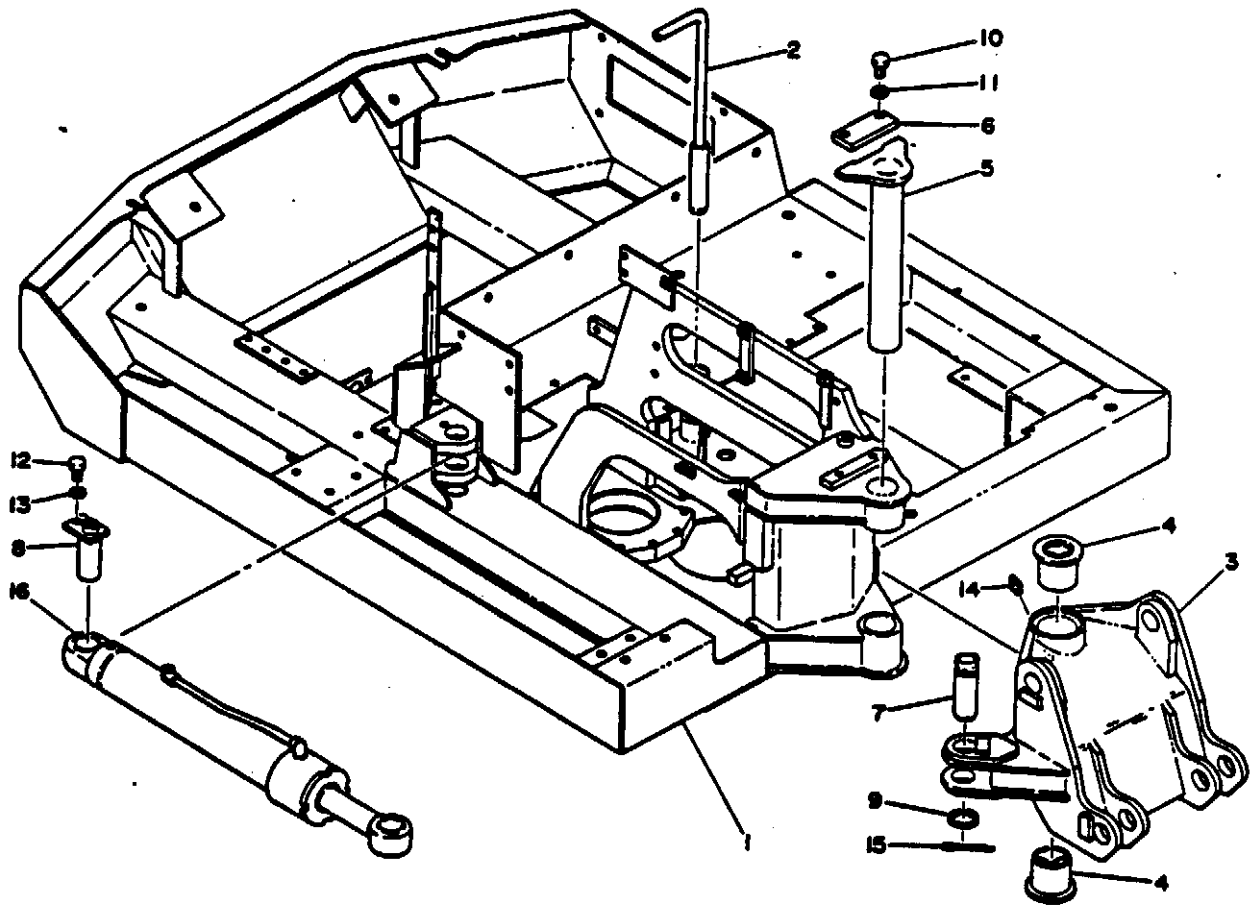


FIG.11-1 TURNTABLE



Qty	PARTS NUMBER	DESCRIPTION	REMARKS
1	01430-50000	TURNTABLE	1
2	01432-00100	PIN, Lock	1
01	01331-00000	BRACKET ASSY, Boom	1
3	01331-40100	BRACKET, Boom	1
4	00026-55070	BUSHING	2
5	00015-00015	SHAFT	1
6	01331-10200	PLATE	1
7	00010-40111	PIN	1
8	00015-00005	PIN	1
9	00030-40005	COLLAR	2
10	11010-41225	BOLT	2
11	11400-10012	WASHER, Spring	2
12	11000-41030	BOLT	1
13	11400-10010	WASHER, Spring	1
14	15000-01000	NIPPLE, Grease	1
15	12100-00000	PIN, Split	1
16	19000-00100	CYLINDER, Swing	1

FIG.11-2 TURNTABLE

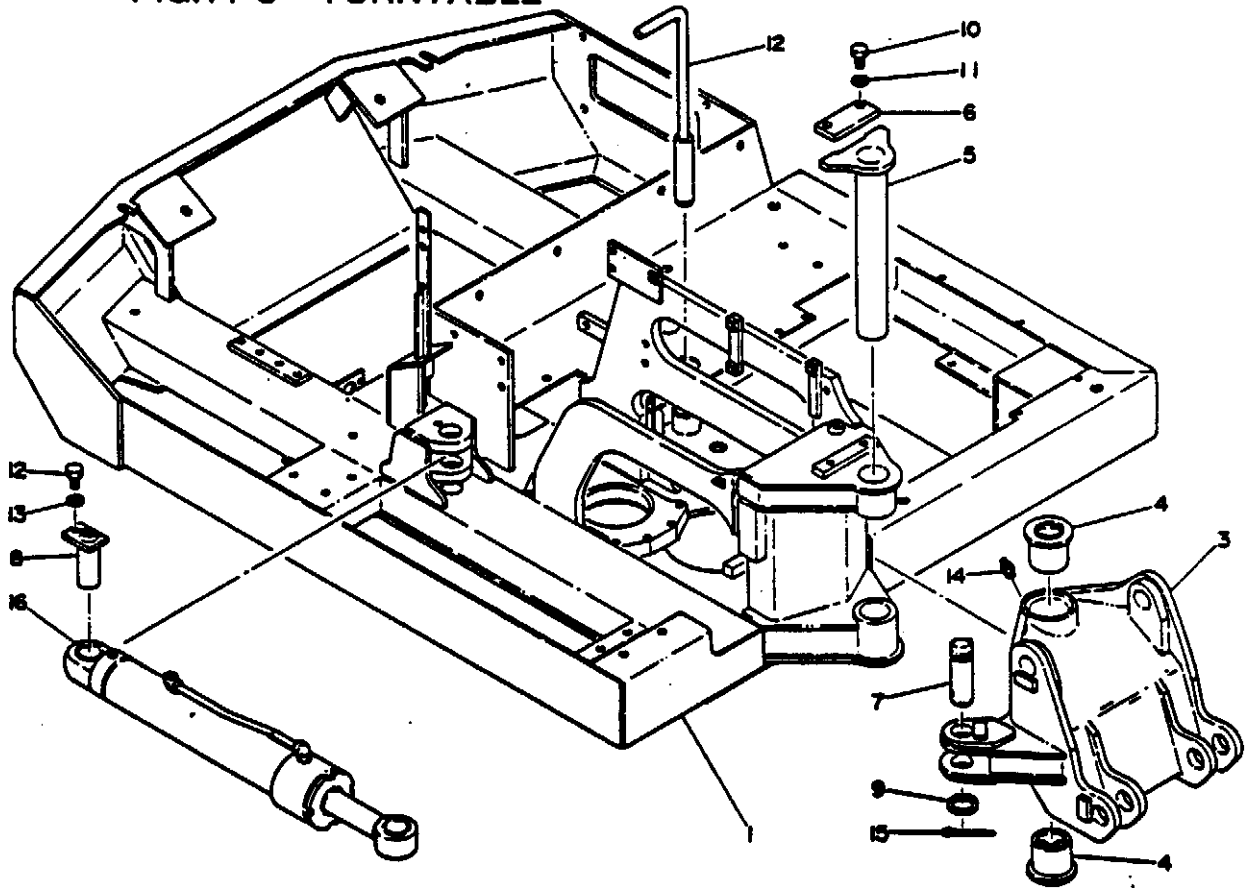


NO	PARTS NUMBER	DESCRIPTION	QTY	REMARKS
1	01430-57000	TURNTABLE	1	
2	01422-00100	PIN, Lock	1	
01	01331-00000	BRACKET ASSY. Boom	1	
3	01331-40100	BRACKET, Boom	1	
4	00020-55070	BUSHING	2	
5	00010-00010	SHAFT	1	
6	01331-10200	PLATE	1	
7	00010-40111	PIN	1	
8	00010-00003	PIN	1	
9	00020-40003	COLLAR	2	
10	11010-41225	BOLT	2	
11	11400-10012	WASHER, Spring	2	
12	11000-41020	BOLT	1	
13	11400-10010	WASHER, Spring	1	
14	15000-01000	NIPPLE, Grease	1	
15	12100-00000	PIN, Split	1	
16	19000-00100	CYLINDER, Swing	1	

NOTE

For Parts & Solds 012-025

FIG.11-3 TURNTABLE

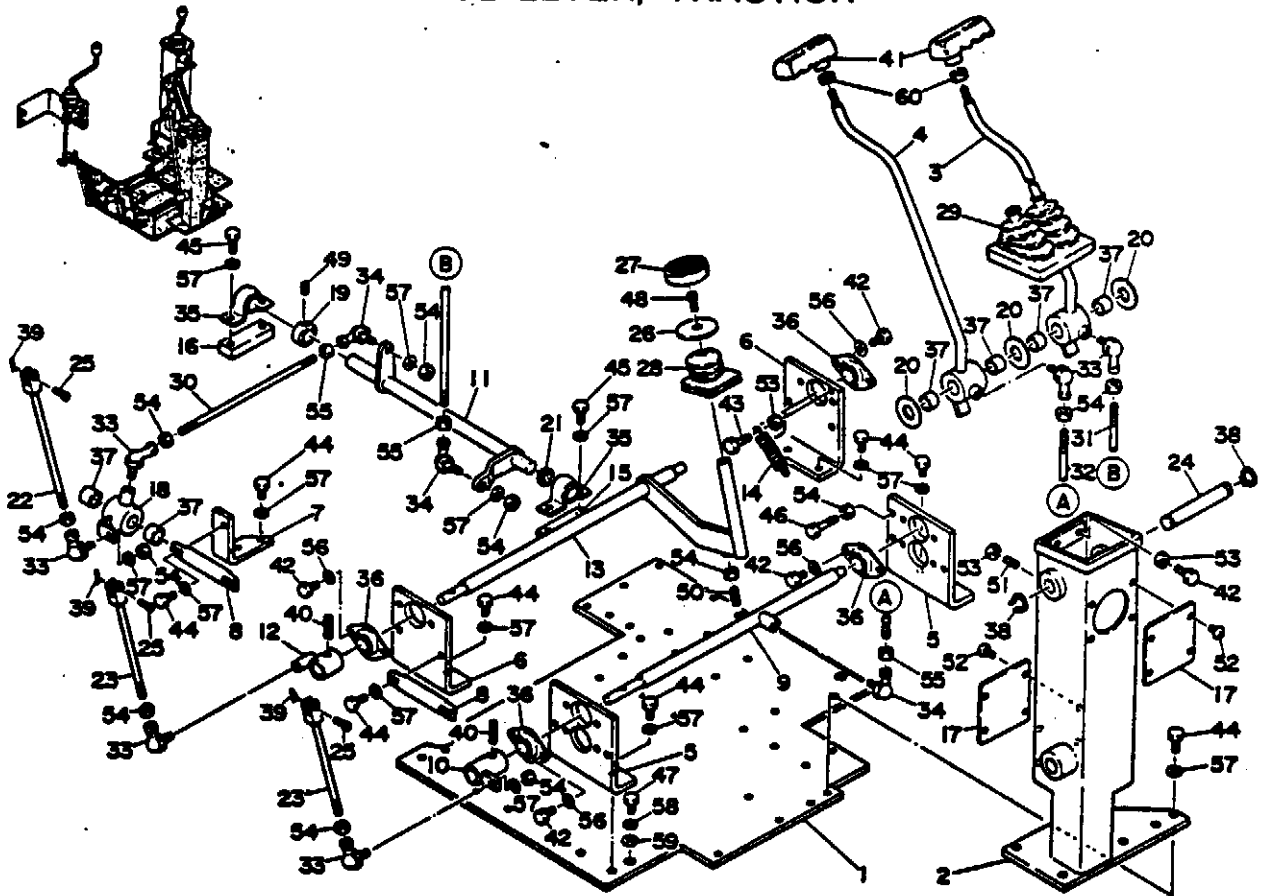


1	PARTS NUMBER	DESCRIPTION	QTY	REMARKS
1	01430-01000	TURNTABLE	1	
2	01422-00100	PIN Lock	1	
01	01231-00000	BRACKET ASSY. Beam	1	
3	01231-40100	BRACKET. Beam	1	
4	00026-55070	BUSHING	2	
5	00019-00013	SHAFT	1	
6	01231-10200	PLATE	1	
7	00010-40111	PIN	1	
8	00019-00003	PIN	1	
9	00030-40005	COLLAR	1	
10	11010-41225	BOLT	2	
11	11400-10012	WASHER Spring	2	
12	11000-41230	BOLT	1	
13	11400-10010	WASHER Spring	1	
14	15000-01000	NIPPLE Grease	1	
15	12100-00000	PIN Split	1	
16	19000-00100	CYLINDER Swing	1	

NOTE

SEE -  
for Photos & Scales

FIG.12-1 CONTROL LEVER, TRACTION



Qty	PARTS NUMBER	DESCRIPTION	QTY	REMARKS
1	01432-00100	PLATE, Lever	1	
2	01432-00400	STAND, Lever	1	
3	05632-11000	LEVER, Traction	1	
4	05632-11700	LEVER, Traction	1	
5	01432-01200	BRACKET	2	
6	01432-01300	BRACKET	2	
7	01432-71200	ANGLE	1	
8	01432-71300	SHAFT	2	
9	01432-01900	LEVER	1	
10	01432-02000	LEVER	1	
11	01432-02500	LEVER	1	
12	01432-03000	LEVER	1	
13	01432-03100	PEDAL	1	
14	01432-03400	SPRING	1	
15	00062-00001	SPACER	1	
16	00062-00003	SPACER	1	
17	01432-72100	COVER	2	
18	02232-43000	LEVER	1	
19	01632-09400	STOPPER	1	
20	01632-10200	WASHER	3	
21	00070-20003	COLLAR	1	
22	00053-05200	ROD, Yoke	1	
23	00053-05335	ROD, Yoke	2	
24	00042-00121	SHAFT, Lever	1	
25	00040-05117	PIN	3	

NOTE: SEE - for England, Singapore, U.S.A., & Korea

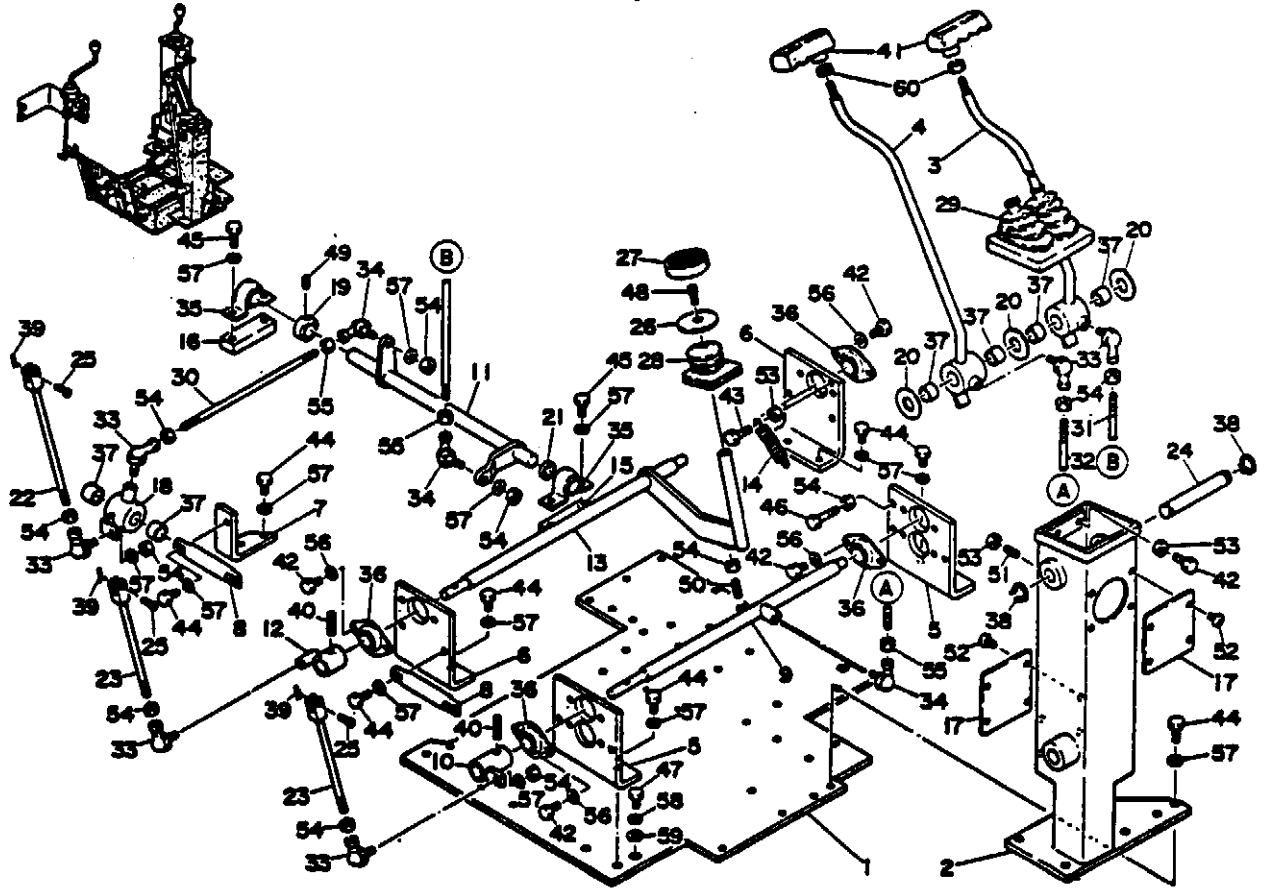
No. 0

Qty	PARTS NUMBER	DESCRIPTION	QTY	REMARKS
26	01432-04400	WASHER	1	
27	01432-04000	COVER	1	
28	01432-04500	BOOT	1	
29	00032-02000	BOOT	1	
30	00050-00370	ROD	1	
31	00050-00390	ROD	1	
32	00050-00320	ROD	1	
33	13400-00000	ROD, End	6	
34	13400-00003	ROD, End	3	
35	13320-02022	MINI-PILLOW	2	
36	13320-01518	MINI-PILLOW	4	
37	13330-02015	BUSHING	6	
38	12200-00020	RING, Soap	2	
39	12140-00006	PIN, Soap	3	
40	12130-00030	PIN, Spring	2	
41	10536-14350	GRIP	2	
42	11000-40020	BOLT	10	
43	11000-40040	BOLT	1	
44	11000-40020	BOLT	16	
45	11000-40030	BOLT	4	
46	11000-40050	BOLT	1	
47	11000-41035	BOLT	4	
48	11100-40020	BOLT, Socket	1	
49	11210-50016	SET, Screw	1	
50	11210-50040	SET, Screw	1	

NOTE: SEE - for England, Singapore, U.S.A., & Korea

No. 1

FIG.12-1 CONTROL LEVER, TRACTION



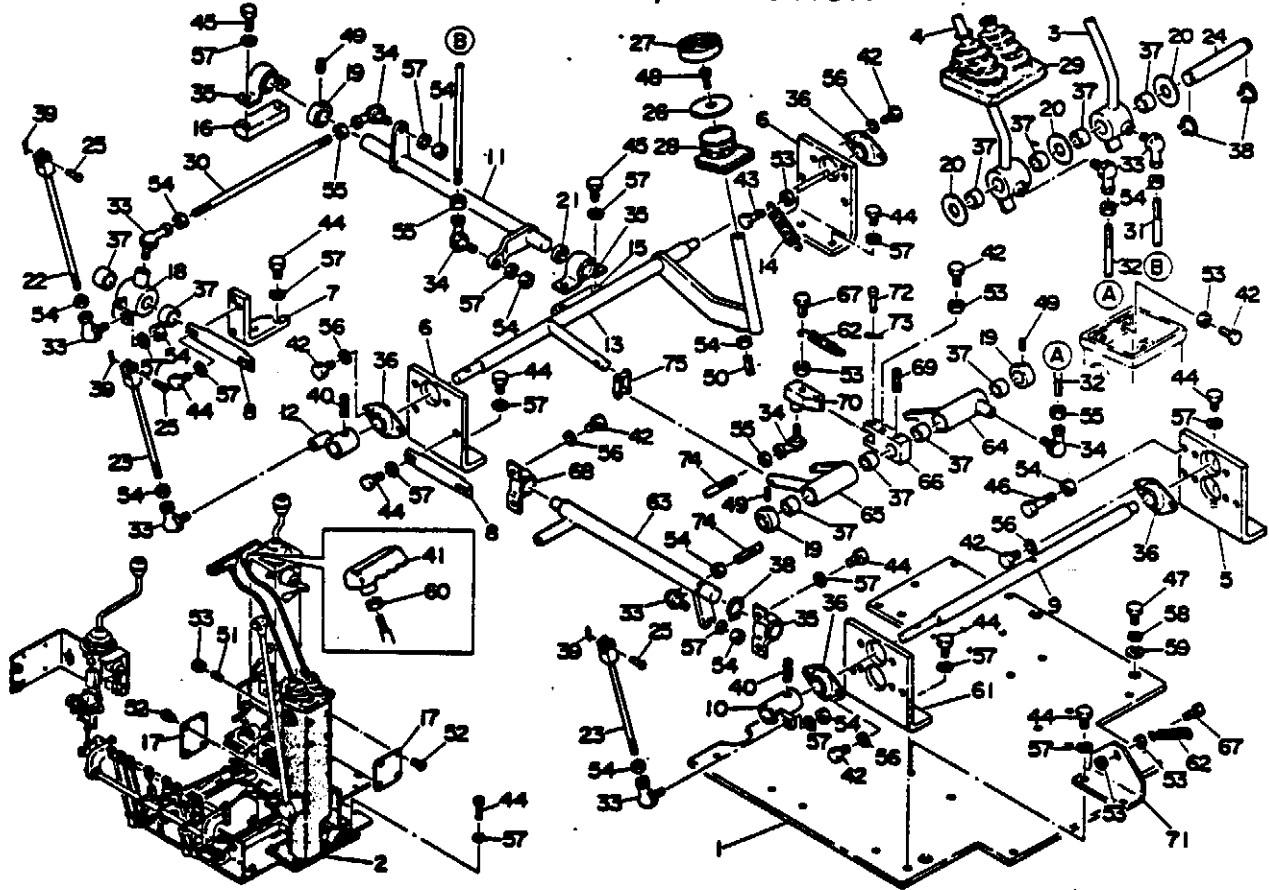
Qty	PARTS NUMBER	DESCRIPTION	Qty	REMARKS
7	11210-50025	SET. Screw	7	
3	11205-30510	SCREW, Pan Head	3	
5	11300-40000	NUT	5	
12	11300-40000	NUT	12	
3	11315-40000	NUT	3	
8	11400-20000	WASHER, Spring	8	
28	11400-20000	WASHER, Spring	28	
4	11400-20010	WASHER, Spring	4	
4	00035-00000	WASHER	4	
2	11300-40010	NUT	2	

NOTE

SEE - for England, Singapore, U.S.A. & Korea

Rev. 0

FIG.12-2 CONTROL LEVER, TRACTION



IN	PARTS NUMBER	DESCRIPTION	QTY	REMARKS
1	01432-00100	PLATE Lever	1	
2	01432-00400	STAND Lever	1	
3	03632-11800	LEVER Traction	1	
4	05632-11700	LEVER Traction	1	
5	01432-01200	BRACKET	1	
6	01432-01300	BRACKET	2	
7	01432-00200	ANGLE	1	
8	01432-71300	SHAFT	2	
9	01432-00400	LEVER	1	
10	01432-02000	LEVER	1	
11	01432-02300	LEVER	1	
12	01432-03000	LEVER	1	
13	01432-01300	PEDAL	1	
14	01432-03400	SPRING	1	
15	00062-00001	SPACER	1	
16	00062-00003	SPACER	1	
17	01432-72100	COVER	2	
18	02232-43000	LEVER	1	
19	01632-09400	STOPPER	3	
20	01632-16200	WASHER	3	
21	00030-20003	COLLAR	1	
22	00053-05220	ROD, Yoke	1	
23	00053-05233	ROD, Yoke	2	
24	00040-20121	SHAFT, Lever	1	
25	00040-05117	PIN	1	

NOTE 025 - for Frame

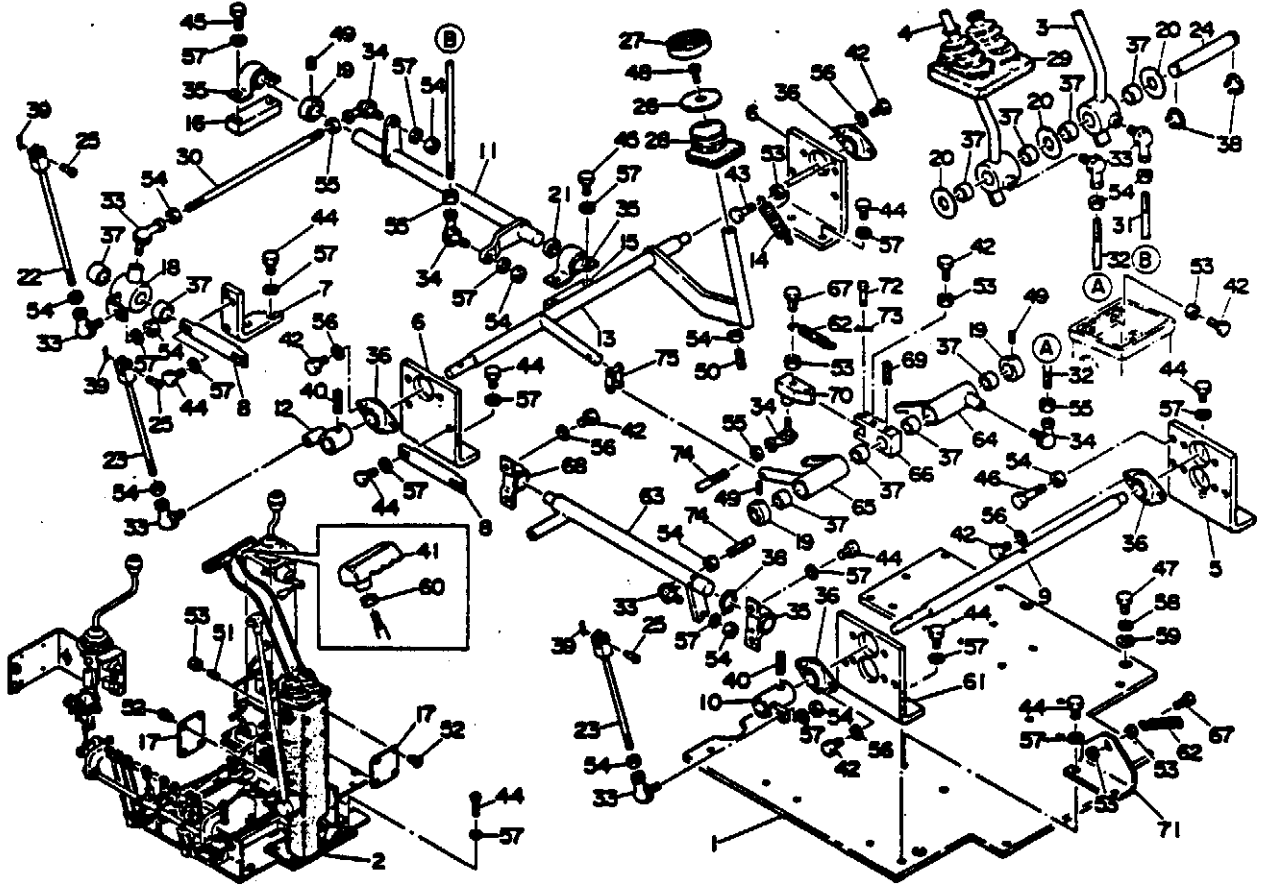
Dr. 3

IN	PARTS NUMBER	DESCRIPTION	QTY	REMARKS
26	01432-64400	WASHER	1	
27	01432-64800	COVER	1	
28	01432-64500	BOOT	1	
29	00632-02000	BOOT	1	
30	00050-00270	ROD	1	
31	00050-00390	ROD	1	
32	00050-00320	ROD	1	
33	13400-00000	ROD, End	7	
34	13400-00005	ROD, End	4	
35	13320-02022	MINI-PILLOW	3	
36	13320-51510	MINI-PILLOW	4	
37	13330-02015	BUSHING	10	
38	12200-00020	RING, Snap	3	
39	12140-00006	PIN, Snap	3	
40	12130-00030	PIN, Spring	2	
41	16536-14359	GRIP	2	
42	11000-40620	BOLT	13	
43	11000-40640	BOLT	1	
44	11000-40820	BOLT	2	
45	11000-40830	BOLT	4	
46	11000-40850	BOLT	1	
47	11000-41035	BOLT	4	
48	11100-40620	ROLT, Socket	1	
49	11210-50816	SET, Screw	3	
50	11210-50840	SET, Screw	1	

NOTE 025 - for Frame

Dr. 3

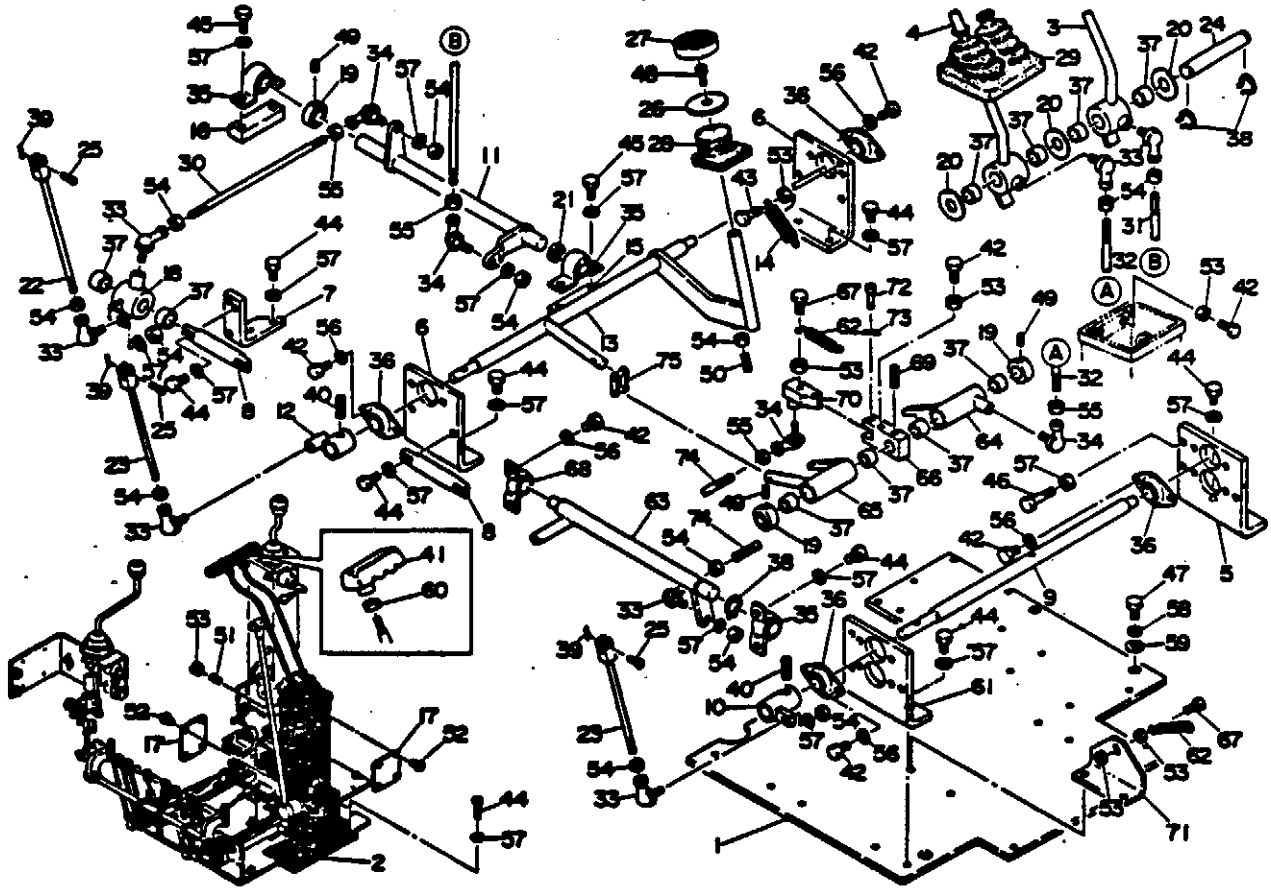
FIG.12-2 CONTROL LEVER, TRACTION



Qty	PARTS NUMBER	DESCRIPTION	Qty	REMARKS
2	11210-50023	SET. Screw	2	
8	11205-30510	SCREW Pan Head	8	
9	11300-40000	NUT	9	
14	11300-40000	NUT	14	
4	11315-40000	NUT	4	
10	11400-20000	WASHER. Spring	10	
3	11400-20000	WASHER. Spring	3	
4	11400-20010	WASHER. Spring	4	
4	00036-00000	WASHER	4	
2	11300-40010	NUT	2	
1	01432-01200	BRACKET	1	
2	01432-03500	SPRING	2	
1	01432-00000	LEVER	1	
1	01432-01400	LEVER	1	
1	01432-01500	LEVER	1	
1	01432-01800	LEVER	1	
2	11000-40030	BOLT	2	
1	13320-01510	MINI-PILLOW	1	
1	12130-00035	PIN. Spring	1	
1	01432-01600	LEVER	1	
1	01432-01700	BRACKET	1	
1	00040-10032	PIN	1	
1	12140-00000	PIN. Snap	1	
1	00050-00035	ROD	1	
1	16200-00000	JOINT ASSY. Link	1	

NOTE SEE - for frame Rev. C

FIG.12-3 CONTROL LEVER, TRACTION



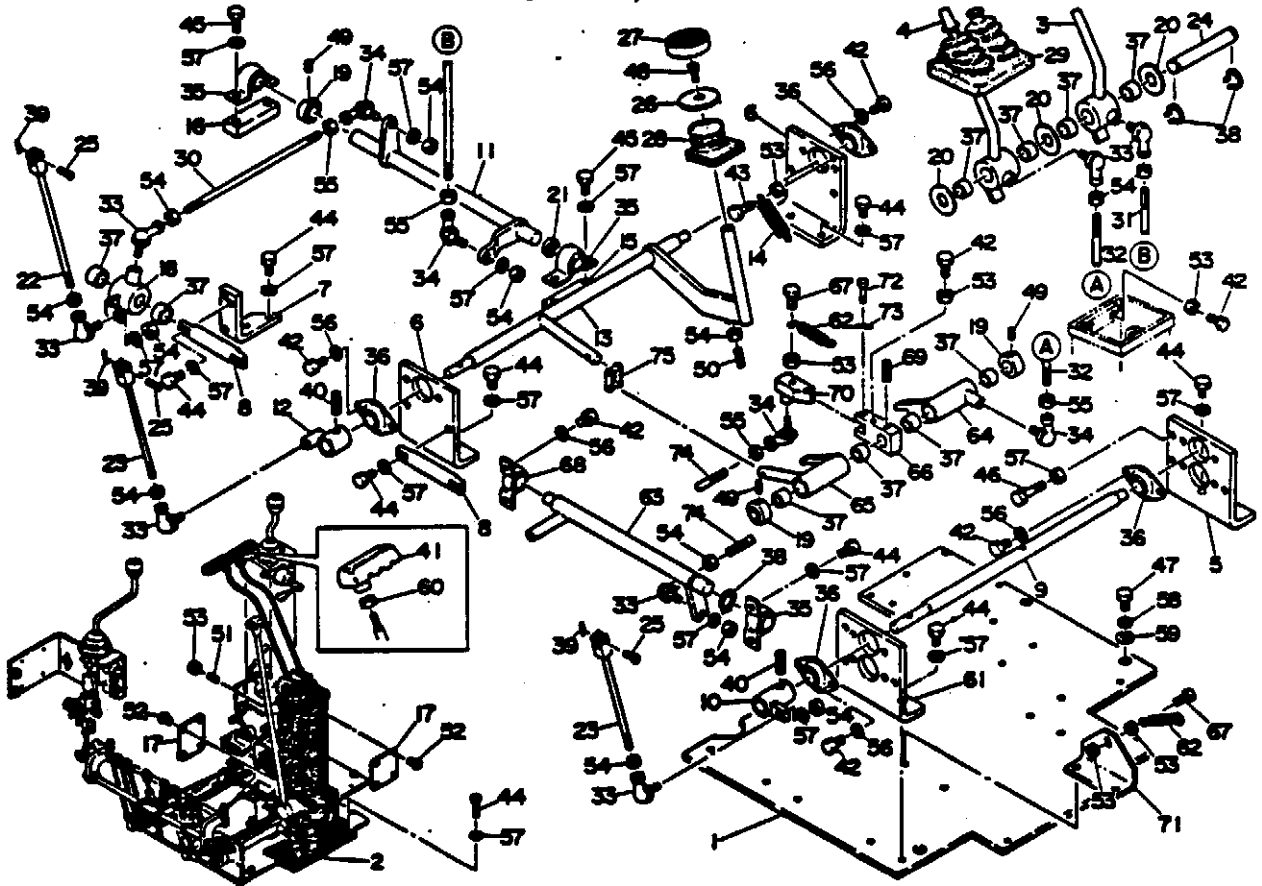
Qty	PARTS NUMBER	DESCRIPTION	REMARKS	Qty	PARTS NUMBER	DESCRIPTION	REMARKS
1	01432-00100	PLATE Lever	1	20	01432-04400	WASHER	1
2	01432-00400	STAND Lever	1	21	01432-04000	COVER	1
3	00032-11000	LEVER Traction	1	22	01432-04500	BOOT	1
4	00032-11700	LEVER Traction	1	23	00032-02000	BOOT	1
5	01432-01200	BRACKET	1	24	00030-00270	ROD	1
6	01432-01300	BRACKET	2	25	00030-00390	ROD	1
7	01432-00200	ANGLE	1	26	00030-00320	ROD	1
8	01432-71300	SHAFT	2	27	13400-00000	ROD End	2
9	01432-00400	LEVER	1	28	13400-00005	ROD End	4
10	01432-02000	LEVER	1	29	13320-02022	MINI-PILLOW	3
11	01432-02500	LEVER	1	30	13320-51510	MINI-PILLOW	4
12	01432-03000	LEVER	1	31	13320-02015	BUSHING	10
13	01432-01300	PEDAL	1	32	12200-00020	RING Snap	3
14	01432-03400	SPRING	1	33	12140-00000	PIN Snap	3
15	00002-00001	SPACER	1	34	12130-00030	PIN Spring	2
16	00002-00003	SPACER	1	35	10530-14350	GRIP	2
17	01432-72100	COVER	2	36	11000-40020	BOLT	13
18	02232-43000	LEVER	1	37	11000-40640	BOLT	1
19	01632-00400	STOPPER	3	38	11000-40020	BOLT	20
20	01632-10200	WASHER	3	39	11000-40030	BOLT	4
21	00030-20005	COLLAR	1	40	11000-40050	BOLT	1
22	00033-05200	ROD Yoke	1	41	11000-41035	BOLT	4
23	00033-05235	ROD Yoke	2	42	11100-40020	BOLT Socket	1
24	00042-20121	SHAFT Lever	1	43	11210-50016	SET. Screw	3
25	00040-05117	PIN	3	44	11210-50040	SET. Screw	1

NOTE 025 - For Scales No. 0

NOTE 025 - For Scales No. 0



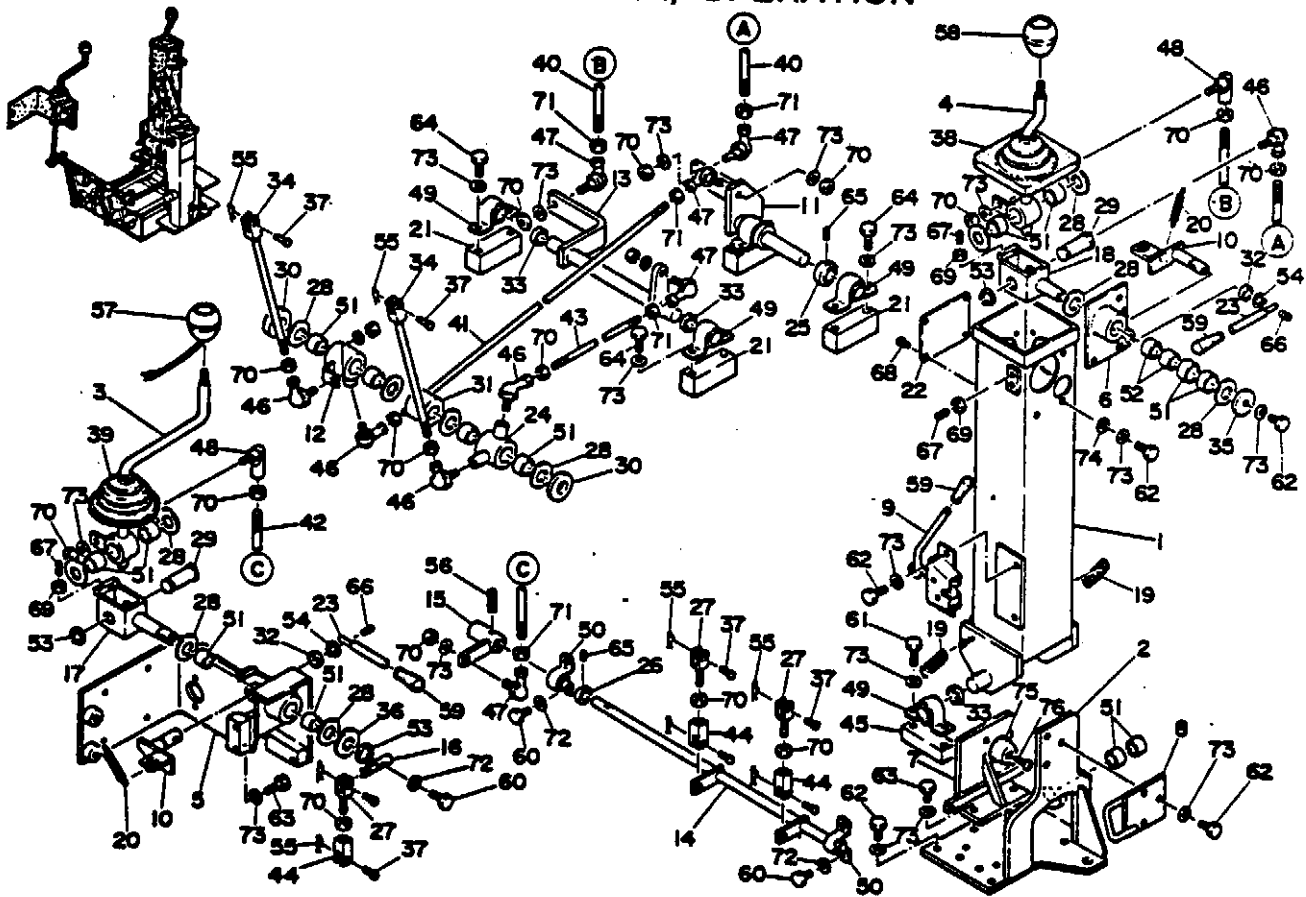
FIG.12-3 CONTROL LEVER, TRACTION



QTY	PARTS NUMBER	DESCRIPTION	QTY	REMARKS
1	11210-50025	SET. Screw	1	
1	11205-30510	SCREW Pan Head	1	
1	11300-40000	NUT	1	
1	11300-40000	NUT	1	
1	11315-40000	NUT	1	
10	11400-20000	WASHER, Spring	10	
2	11400-20000	WASHER, spring	2	
4	11400-20010	WASHER, Spring	4	
4	00036-00000	WASHER	4	
2	11300-40010	NUT	2	
1	01432-01200	BRACKET	1	
2	01432-03500	SPRING	2	
1	01432-00000	LEVER	1	
1	01432-01400	LEVER	1	
1	01432-01500	LEVER	1	
1	01432-01000	LEVER	1	
2	11000-40030	BOLT	2	
1	13320-01310	MINI-PILLOW	1	
1	12130-00035	PIN, Spring	1	
1	01432-01600	LEVER	1	
1	01432-01700	BRACKET	1	
1	00040-10032	PIN	1	
1	12140-00000	PIN, Snap	1	
1	00000-00005	ROD	1	
1	10200-00000	JOINT ASSY. Link	1	

NOTE SEE - for Detail

FIG.13-1 CONTROL LEVER, OPERATION



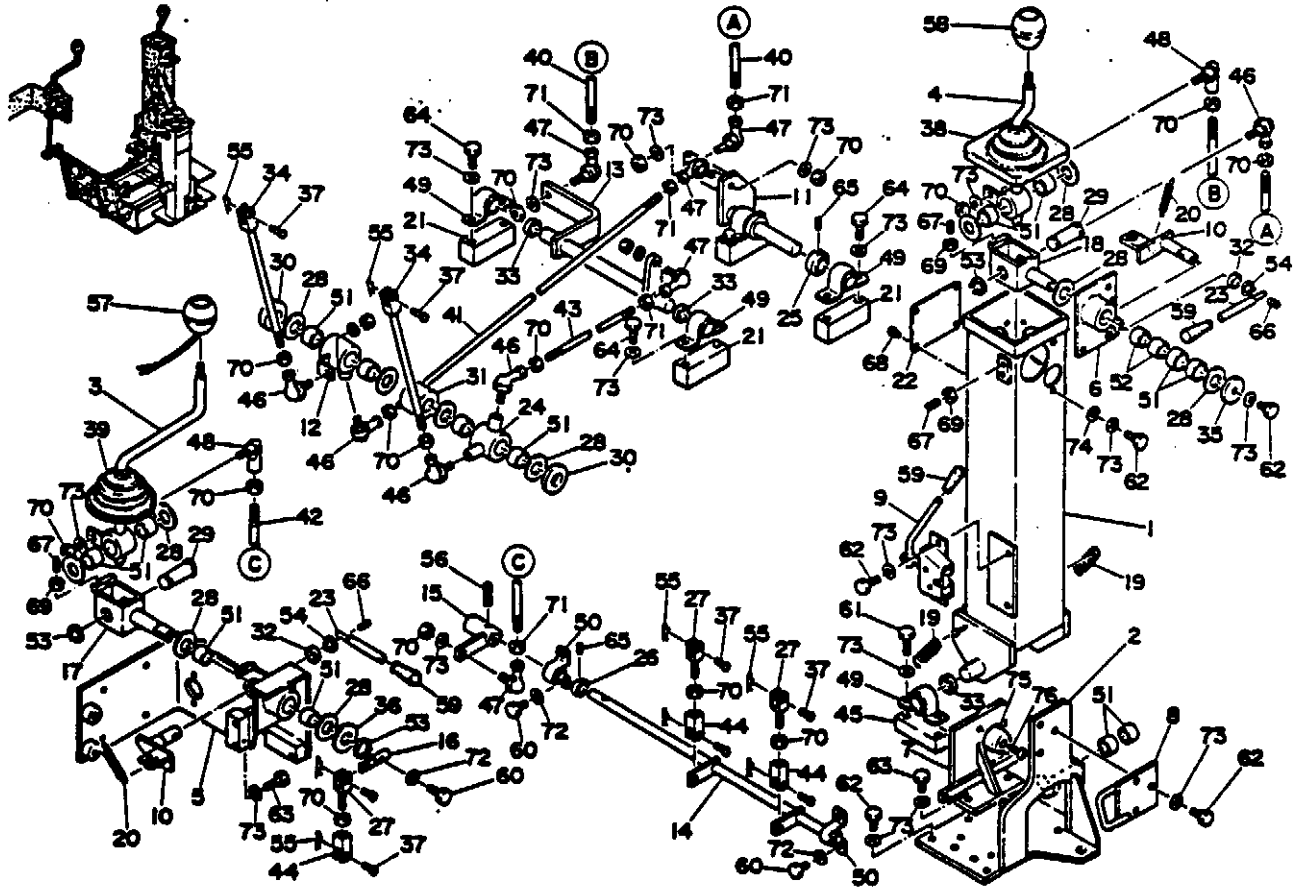
Qty	PARTS NUMBER	DESCRIPTION	REMARKS
1	01432-00200	STAND, Lever	1
2	01432-00300	BRACKET, Stand	1
3	01432-04100	LEVER, (R. H)	1
4	01432-04200	LEVER, (L. H)	1
5	01432-01000	BRACKET, (R. H)	1
6	01432-01100	BRACKET, (L. H)	1
7	01432-01500	STOPPER, Stand	1
8	01432-01600	STRIKER	1
9	01432-01700	LOCK, Stand	1
10	01432-01800	LEVER, Lock	2
11	01432-02400	LEVER	1
12	01432-73100	LEVER	1
13	01432-02600	LEVER	1
14	01432-02700	LEVER	1
15	01432-02800	LEVER	1
16	01432-72600	LEVER	1
17	01432-03200	LEVER, Yoke	1
18	01432-03300	LEVER, Yoke	1
19	01432-03400	SPRING	2
20	01432-03500	SPRING	2
21	01432-03600	SPACER	4
22	01432-72100	COVER	3
23	01432-73000	LEVER	2
24	01332-11500	LEVER	1
25	01632-09400	STOPPER	2

NOTE for France, England, Singapore, Spain, & U.S.A. 013 - Rev. 0

Qty	PARTS NUMBER	DESCRIPTION	REMARKS
26	01632-00200	STOPPER	1
27	00032-70000	ROD, Yoke	3
28	01632-16200	WASHER	12
29	02232-24700	PIN	2
30	00030-20010	COLLAR	2
31	00030-00031	COLLAR	1
32	00030-15005	COLLAR	2
33	00030-20005	COLLAR	3
34	00053-05200	ROD, Yoke	2
35	00030-09425	WASHER	1
36	00030-00030	WASHER	1
37	00040-05117	PIN	8
38	02132-12000	BOOT, (L. H)	1
39	00932-21100	BOOT, (R. H)	1
40	00050-00400	ROD	2
41	00050-00400	ROD	1
42	00050-00270	ROD	1
43	00050-00410	ROD	1
44	00053-05032	YOKE	3
45	01432-03700	SPACER	1
46	13400-00080	ROD, End	5
47	13400-00085	ROD, End	2
48	13405-00080	ROD, End	2
49	13220-02000	MINI-PILLOW	5
50	13220-01516	MINI-PILLOW	2

NOTE for France, England, Singapore, Spain, & U.S.A. 013 - Rev. 0

FIG.13-1 CONTROL LEVER, OPERATION



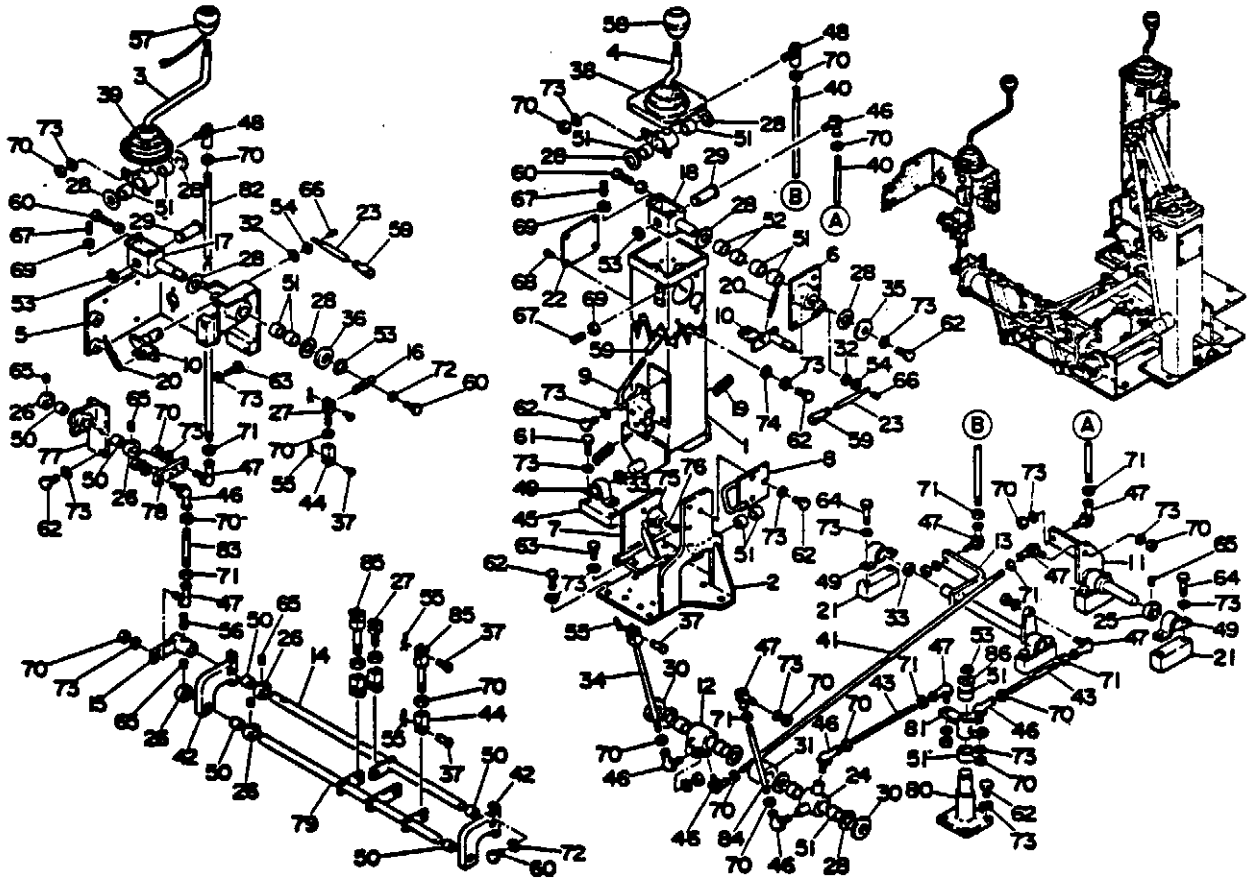
QTY	PARTS NUMBER	DESCRIPTION	QTY	REMARKS
14	13330-02015	BUSHING	14	
2	13140-01720	SLEEVE	2	
3	12200-00020	RING, Snap	3	
2	12200-00015	RING, Snap	2	
2	12140-00000	PIN, Snap	2	
1	12130-00020	PIN, Spring	1	
1	10502-01000	GRIP, OL. M	1	
1	10502-01100	GRIP, (L. M)	1	
3	10501-22050	GRIP	3	
7	11000-40020	BOLT	7	
2	11000-40040	BOLT	2	
12	11000-40020	BOLT	12	
4	11000-40030	BOLT	4	
8	11000-40050	BOLT	8	
3	11210-50010	SET. Screw	3	
2	11210-50010	SET. Screw	2	
3	11210-50025	SET. Screw	3	
12	11205-30510	SCREW, Pan Head	12	
5	11300-40000	NUT	5	
20	11300-40000	NUT	20	
5	11315-40000	NUT	5	
5	11400-20000	WASHER, Spring	5	
30	11400-20000	WASHER, Spring	30	
3	11411-10000	WASHER, Plain	3	
1	10521-04527	FOOT, Rubber	1	

QTY	PARTS NUMBER	DESCRIPTION	QTY	REMARKS
1	11205-30520	SCREW, Pan Head	1	

NOTE

for France, England, Singapore, Spain, & U.S.A.  
B.L.F. ~

FIG.13-2 CONTROL LEVER, OPERATION



QTY	PARTS NUMBER	DESCRIPTION	QTY	REMARKS
1	01432-00200	STAND, Lever	1	
2	01432-00300	BRACKET, Stand	1	
3	01432-04100	LEVER, (R. H)	1	
4	01432-04200	LEVER, (L. H)	1	
5	01432-01000	BRACKET, LEVER (R. H)	1	
6	01432-01100	BRACKET, LEVER (L. H)	1	
7	01432-01500	STOPPER, Stand	1	
8	01432-01600	STRIKER	1	
9	01432-01700	LOCK, Stand	1	
10	01432-01800	LEVER	2	
11	01432-02400	LEVER	1	
12	01432-73100	LEVER	1	
13	01432-02600	LEVER	1	
14	01432-09300	LEVER	1	
15	01432-09400	LEVER	1	
16	01432-72600	LEVER	1	
17	01432-03200	LEVER, Yoke (R. H)	1	
18	01432-03300	LEVER, Yoke (L. H)	1	
19	01432-03400	SPRING	2	
20	01432-03500	SPRING	2	
21	01432-03600	SPACER	4	
22	01432-72100	COVER	3	
23	01432-73000	LEVER	2	
24	01332-11500	LEVER	1	
25	01632-09400	STOPPER	2	

NOTE for Assembly

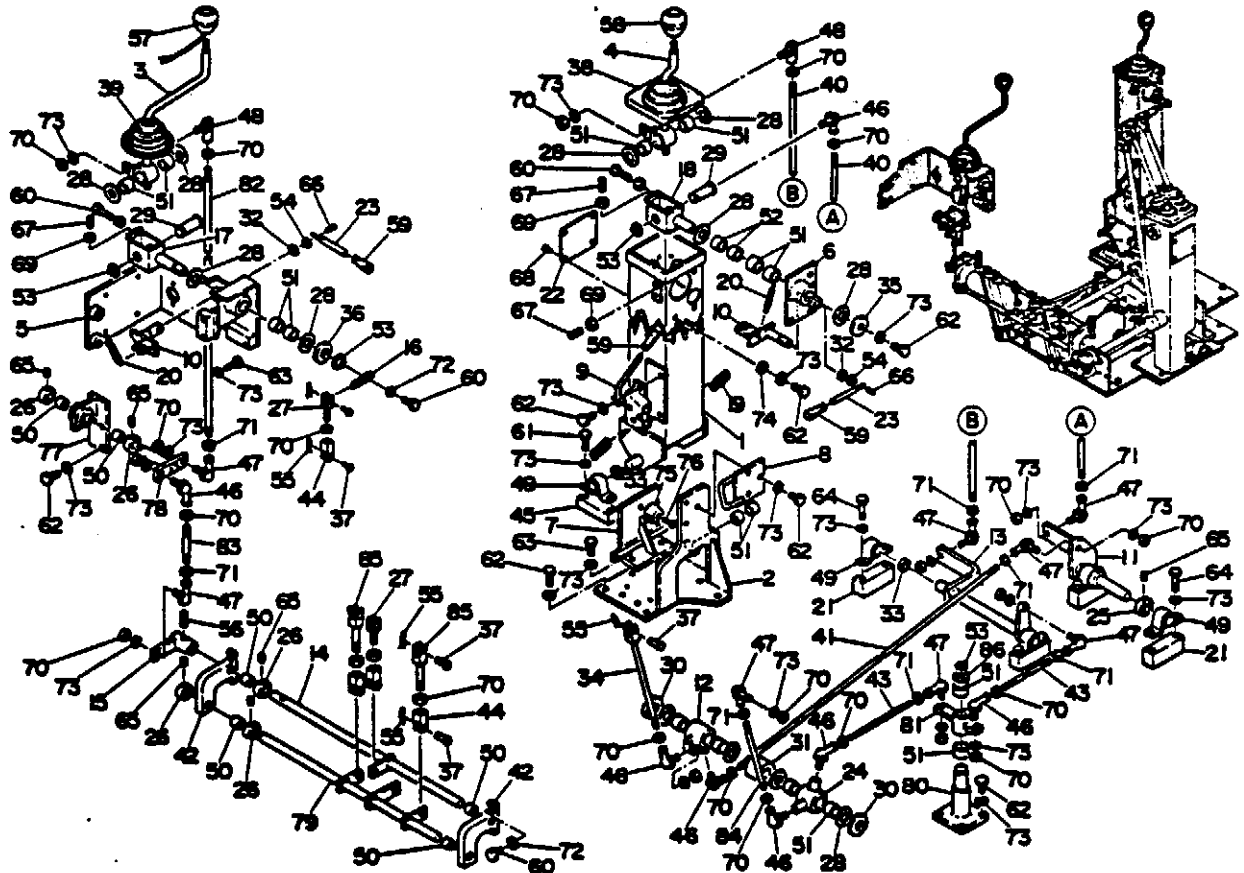
825 ~ No. G

QTY	PARTS NUMBER	DESCRIPTION	QTY	REMARKS
26	01632-06200	STOPPER	5	
27	00932-70900	ROD, Yoke	2	
28	01632-16200	WASHER	12	
29	02232-24700	PIN	2	
30	00030-20010	COLLAR	2	
31	00030-00031	COLLAR	1	
32	00030-15005	COLLAR	2	
33	00030-20005	COLLAR	3	
34	00053-05200	ROD, Yoke	1	
35	00030-09425	WASHER	1	
36	00030-00030	WASHER	1	
37	00040-05117	PIN	9	
38	02132-12600	BOOT, (L. H)	1	
39	00932-11100	BOOT, (R. H)	1	
40	00050-00490	ROD	2	
41	00050-00480	ROD	1	
42	01432-09100	BRACKET	2	
43	00050-08190	ROD	2	
44	00055-05032	YOKE	6	
45	01432-03700	SPACER	1	
46	13400-00080	ROD, End	7	
47	13400-00085	ROD, End	8	
48	13405-00020	ROD, End	2	
49	13300-02000	MINI-FILLOW	5	
50	13300-01510	RUSHING	6	

NOTE for Assembly 825 ~

No. G

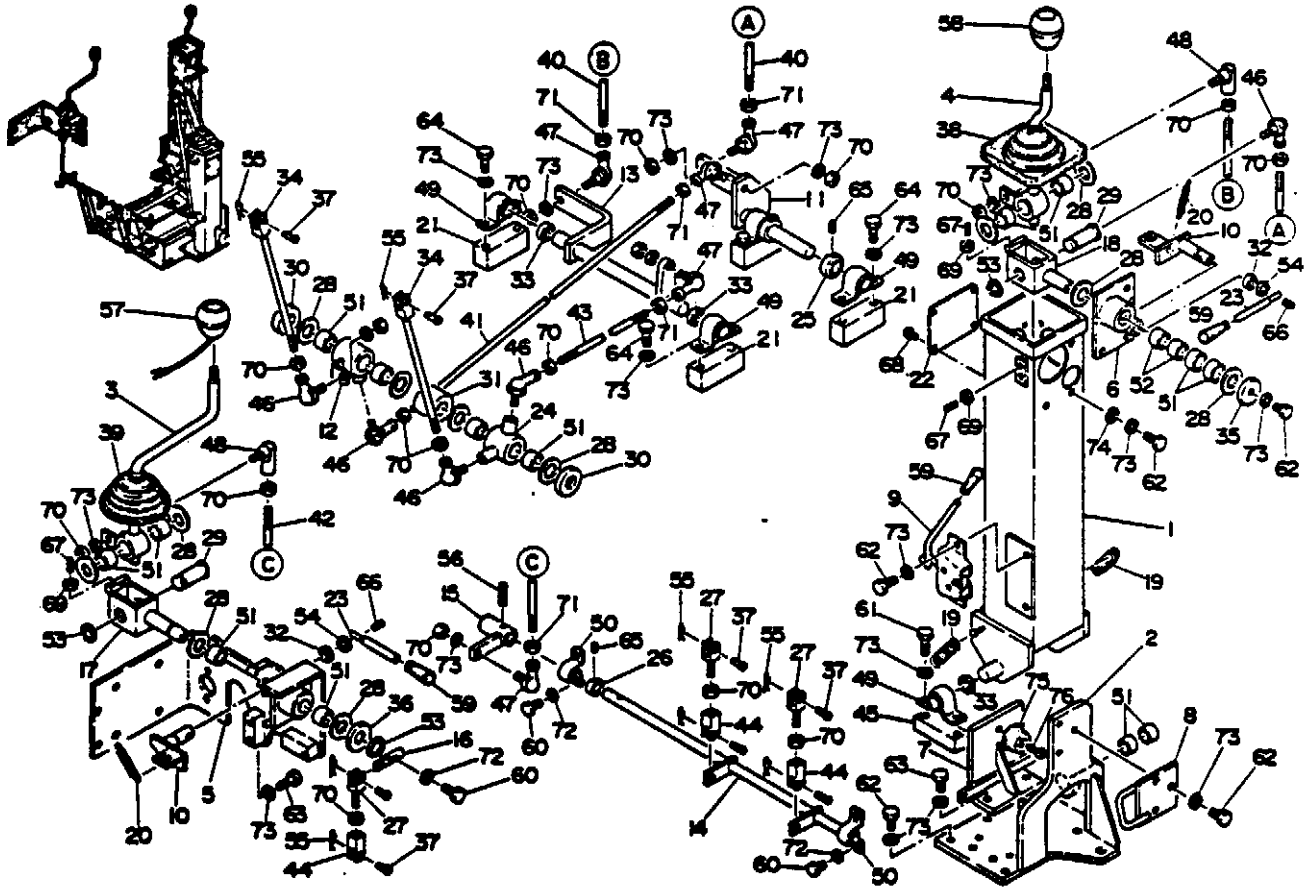
FIG.13-2 CONTROL LEVER, OPERATION



QTY	PARTS NUMBER	DESCRIPTION	QTY	REMARKS	QTY	PARTS NUMBER	DESCRIPTION	QTY	REMARKS
1	13330-02015	BUSHING	15		7	11205-30510	SCREW, Pan Head	1	
2	12140-01720	SLEEVE	2		77	01432-09200	BRACKET	1	
4	12200-00020	RING, Snap	4		78	01432-09500	LEVER	1	
2	12200-00015	RING, Snap	2		79	01432-09600	LEVER	1	
3	12140-00005	PIN, Snap	3		80	01432-03100	BOSS	1	
1	12130-00030	PIN, Spring	1		81	01432-03200	LEVER	1	
1	16502-01000	GRIP, (R. H.)	1		82	00050-00165	ROD	1	
1	16502-01100	GRIP, (L. H.)	1		83	00050-00055	ROD	1	
3	16501-22050	GRIP	3		84	00050-00140	ROD	1	
7	11000-40620	BOLT	7		85	00053-05000	ROD, Yoke	2	
2	11000-40040	BOLT	2		86	00036-00034	WASHER	1	
15	11000-40020	BOLT	15						
4	11000-40030	BOLT	4						
8	11000-40050	BOLT	8						
7	11210-50016	SET. Screw	7						
2	11210-50016	SET. Screw	2						
4	11210-50025	SET. Screw	4						
12	11205-30510	SCREW, Pan Head	12						
6	11300-40006	NUT	6						
25	11300-40008	NUT	25						
3	11315-40008	NUT	3						
5	11400-20006	WASHER, Spring	5						
6	11400-20008	WASHER, Spring	6						
3	11411-10000	WASHER, Plain	3						
1	16521-04527	FOOT, Rubber	1						

NOTE for items SEE -

FIG.13-3 CONTROL LEVER, OPERATION



Qty	PARTS NUMBER	DESCRIPTION	QTY	REMARKS
1	01432-00200	STAND, Lever	1	
2	01432-00300	BRACKET, Stand	1	
3	01432-04100	LEVER, (R. H)	1	SHF -
4	01432-04200	LEVER, (L. H)	1	SHF -
5	01432-00100	BRACKET, (R. H)	1	
6	01432-01100	BRACKET, (L. H)	1	
7	01432-01500	STOPPER, Stand	1	
8	01432-01600	STRIKER	1	
9	01432-01700	LOCK, Stand	1	
10	01432-01800	LEVER, Lock	2	
11	01432-02400	LEVER	1	
12	01432-73100	LEVER	1	
13	01432-82600	LEVER	1	
14	01432-82700	LEVER	1	
15	01432-82800	LEVER	1	
16	01432-72600	LEVER	1	
17	01432-83200	LEVER, Yoke	1	
18	01432-83300	LEVER, Yoke	1	
19	01432-83400	SPRING	2	
20	01432-83500	SPRING	2	
21	01432-83600	SPACER	4	
22	01432-72100	COVER	1	
23	01432-72600	LEVER	1	
24	01332-11500	LEVER	1	
25	01632-09400	STOPPER	1	

NOTE for Frame SEE -

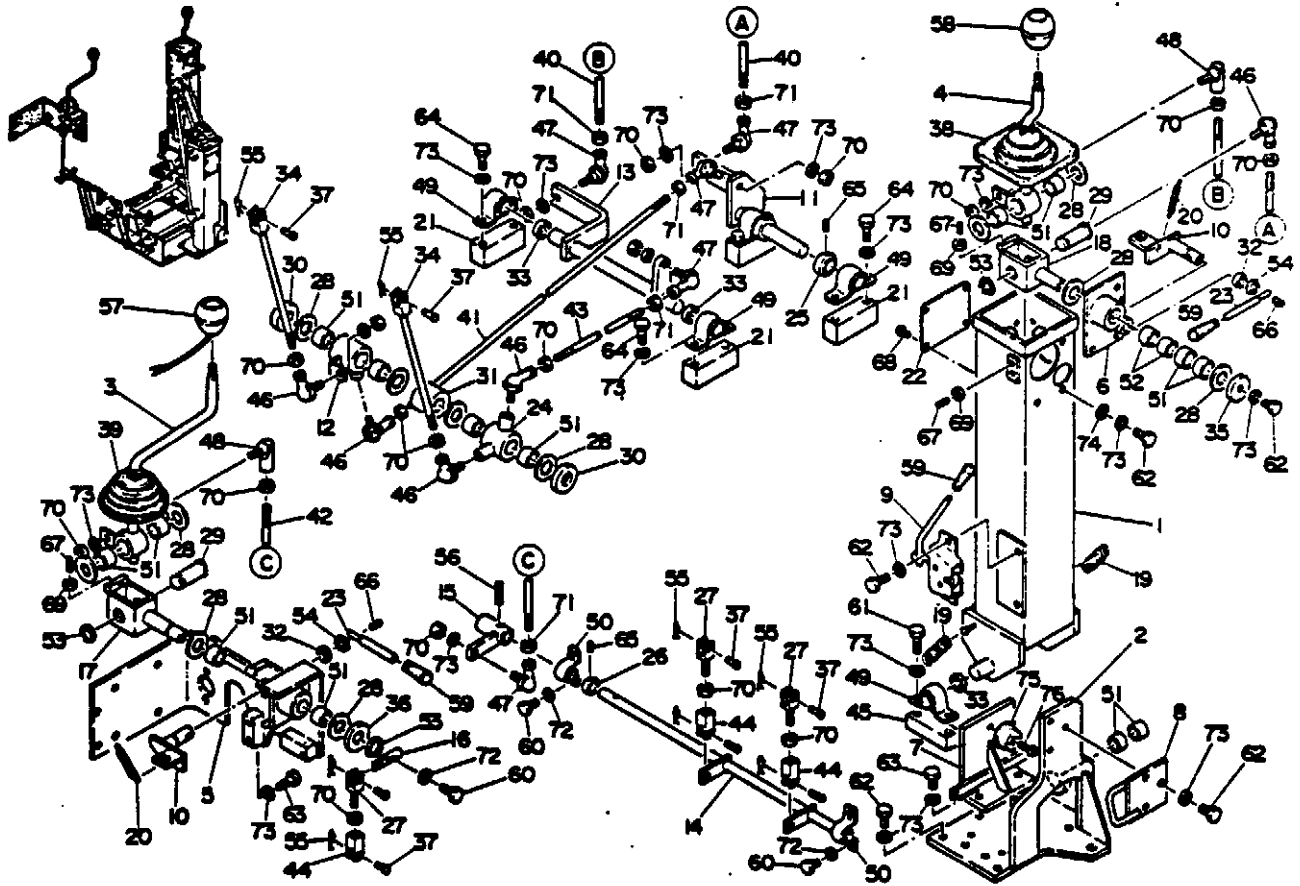
No. 3

Qty	PARTS NUMBER	DESCRIPTION	QTY	REMARKS
26	01632-00200	STOPPER	1	
27	00932-70900	ROD, Yoke	3	
28	01632-10200	WASHER	12	
29	02332-24700	PIN	2	
30	00030-20010	COLLAR	2	
31	00030-00031	COLLAR	1	
32	00030-15005	COLLAR	2	
33	00030-20005	COLLAR	3	
34	00053-05280	ROD, Yoke	2	
35	00030-09425	WASHER	1	
36	00030-00030	WASHER	1	
37	00040-05117	PIN	8	
38	02132-12600	BOOT, (L. H)	1	
39	00932-11100	BOOT, (R. H)	1	
40	00050-08490	ROD	2	
41	00050-08480	ROD	1	
42	00050-08270	ROD	1	
43	00050-08410	ROD	1	
44	00055-05030	YOKE	2	
45	01432-83700	SPACER	1	
46	13400-00080	ROD, End	5	
47	13400-00085	ROD, End	5	
48	13405-20080	ROD, End	2	
49	13320-00020	MINI-PILLOW	1	
50	13320-01510	MINI-PILLOW	2	

NOTE for Frame SEE -

No. 3

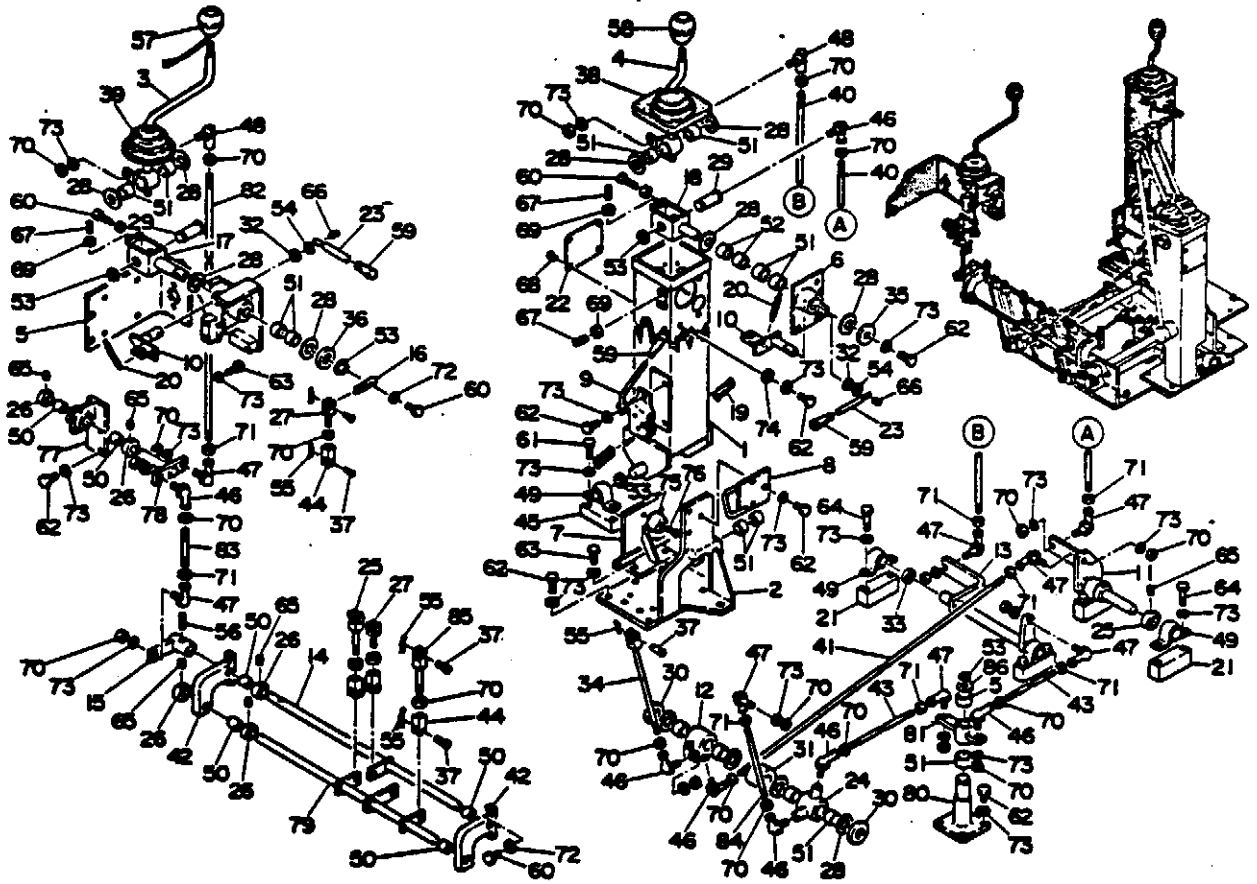
FIG.13-3 CONTROL LEVER, OPERATION



QTY	PARTS NUMBER	DESCRIPTION	QTY	REMARKS	QTY	PARTS NUMBER	DESCRIPTION	QTY	REMARKS
51	13330-02015	BUSHING	14		78	11205-30520	SCREW, Pan Head	1	
52	13140-01720	SLEEVE	2						
53	12200-00020	RING, Snap	3						
54	12200-00015	RING, Snap	2						
55	12140-00006	PIN, Spring	8						
56	12130-00630	PIN, Spring	1						
57	16502-01000	GRIP, (R. H)	1	8137 -					
58	16502-01100	GRIP, (L. H)	1	8137 -					
59	16501-22050	GRIP	3						
60	11000-40620	BOLT	7						
61	11000-40640	BOLT	2						
62	11000-40820	BOLT	12						
63	11000-40830	BOLT	4						
64	11000-40850	BOLT	6						
65	11210-50010	SET. Screw	3						
66	11210-50616	SET. Screw	2						
67	11210-50625	SET. Screw	3						
68	11205-30510	SCREW, Pan Head	12						
69	11300-40006	NUT	6						
70	11300-40008	NUT	18	8137 -					
71	11315-40008	NUT	5						
72	11400-20006	WASHER, Spring	5						
73	11400-20008	WASHER, Spring	34						
74	11411-10008	WASHER, Plain	3						
75	16521-04527	FOOT, Rubber	1						

NOTE for Frame SCF -

FIG.13-4 CONTROL LEVER, OPERATION



Qty	PARTS NUMBER	DESCRIPTION	REMARKS
1	01432-00200	STAND, Lever	1
2	01432-00300	BRACKET, Stand	1
3	01432-04100	LEVER, (R. H)	1
4	01432-04200	LEVER, (L. H)	1
5	01432-00100	BRACKET, Lever (R. H)	1
6	01432-01100	BRACKET, Lever (L. H)	1
7	01432-01500	STOPPER, Stand	1
8	01432-01600	STRIKER	1
9	01432-01700	LOCK, Stand	1
10	01432-01800	LEVER	2
11	01432-02400	LEVER	1
12	01432-73100	LEVER	1
13	01432-02600	LEVER	1
14	01432-00300	LEVER	1
15	01432-00400	LEVER	1
16	01432-72600	LEVER	1
17	01432-03300	LEVER, Yoke (R. H)	1
18	01432-03300	LEVER, Yoke (L. H)	1
19	01432-03400	SPRING	2
20	01432-03500	SPRING	2
21	01432-03600	SPACER	4
22	01432-72100	COVER	3
23	01432-73000	LEVER	2
24	01332-11500	LEVER	1
25	01632-00400	STOPPER	2

NOTE for Section 825 -

Rev. 2

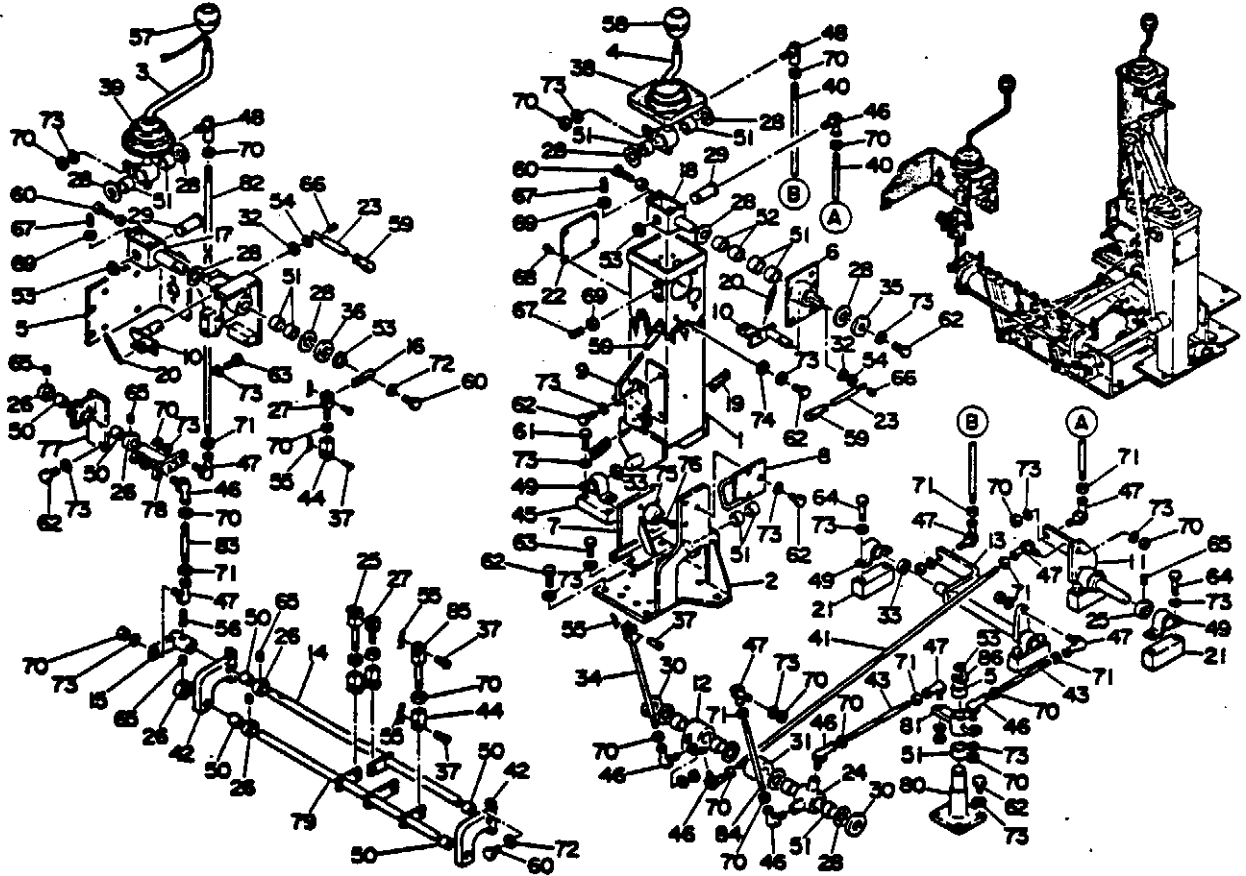
Qty	PARTS NUMBER	DESCRIPTION	REMARKS
26	01632-00200	STOPPER	5
27	00032-70900	ROD, Yoke	2
28	01632-16200	WASHER	12
29	02332-24700	PIN	2
30	00030-20010	COLLAR	2
31	00030-00031	COLLAR	1
32	00030-15005	COLLAR	2
33	00030-20005	COLLAR	3
34	00053-05200	ROD, Yoke	1
35	00036-00425	WASHER	1
36	00030-00030	WASHER	1
37	00040-05117	PIN	9
38	02132-12600	BOOT	1
39	00932-11100	BOOT	1
40	00050-00490	ROD	2
41	00050-00400	ROD	1
42	01432-00100	BRACKET	2
43	00050-00100	ROD	2
44	00055-05032	YOKE	4
45	01432-03700	SPACER	1
46	13400-00000	ROD, End	7
47	13400-00005	ROD, End	1
48	13405-00000	ROD, End	2
49	13320-02020	MINI-PILLOW	5
50	13320-01515	BUSHING	1

NOTE for Section 825 -

Rev. 2



FIG.13-4 CONTROL LEVER, OPERATION



QTY	PARTS NUMBER	DESCRIPTION	QTY	REMARKS	QTY	PARTS NUMBER	DESCRIPTION	QTY	REMARKS
2	13230-02015	BUSHING	2		1	11205-30520	SCREW, Pan Head	1	
2	13140-01720	SLEEVE	2		1	01432-00200	BRACKET	1	
4	12200-00020	RING, Snap	4		1	01432-00500	LEVER	1	
2	12200-00015	RING, Snap	2		1	01432-00600	LEVER	1	
9	12140-00000	PIN, Snap	9		1	01432-03100	BOSS	1	
1	12130-00030	PIN, Spring	1		1	01432-03200	LEVER	1	
1	10502-01000	GRIP, (R. HD)	1		1	00050-00105	ROD	1	
1	10502-01100	GRIP, (L. HD)	1		1	00050-00055	ROD	1	
3	10501-22050	GRIP	3		1	00050-00140	ROD	1	
7	11000-40020	BOLT	7		2	00053-00090	ROD, Yoke	2	
2	11000-40040	BOLT	2		1	00030-00034	WASHER	1	
10	11000-40020	BOLT	10						
4	11000-40030	BOLT	4						
8	11000-40050	BOLT	8						
7	11210-50010	SET. Screw	7						
2	11210-50010	SET. Screw	2						
4	11210-50025	SET. Screw	4						
12	11205-30510	SCREW, Pan Head	12						
6	11300-40000	NUT	6						
2	11300-40000	NUT	2						
8	11315-40000	NUT	8						
5	11400-20000	WASHER, Spring	5						
6	11400-20000	WASHER, Spring	6						
3	11411-10000	WASHER, Plain	3						
1	16521-04527	FOOT, Rubber	1						

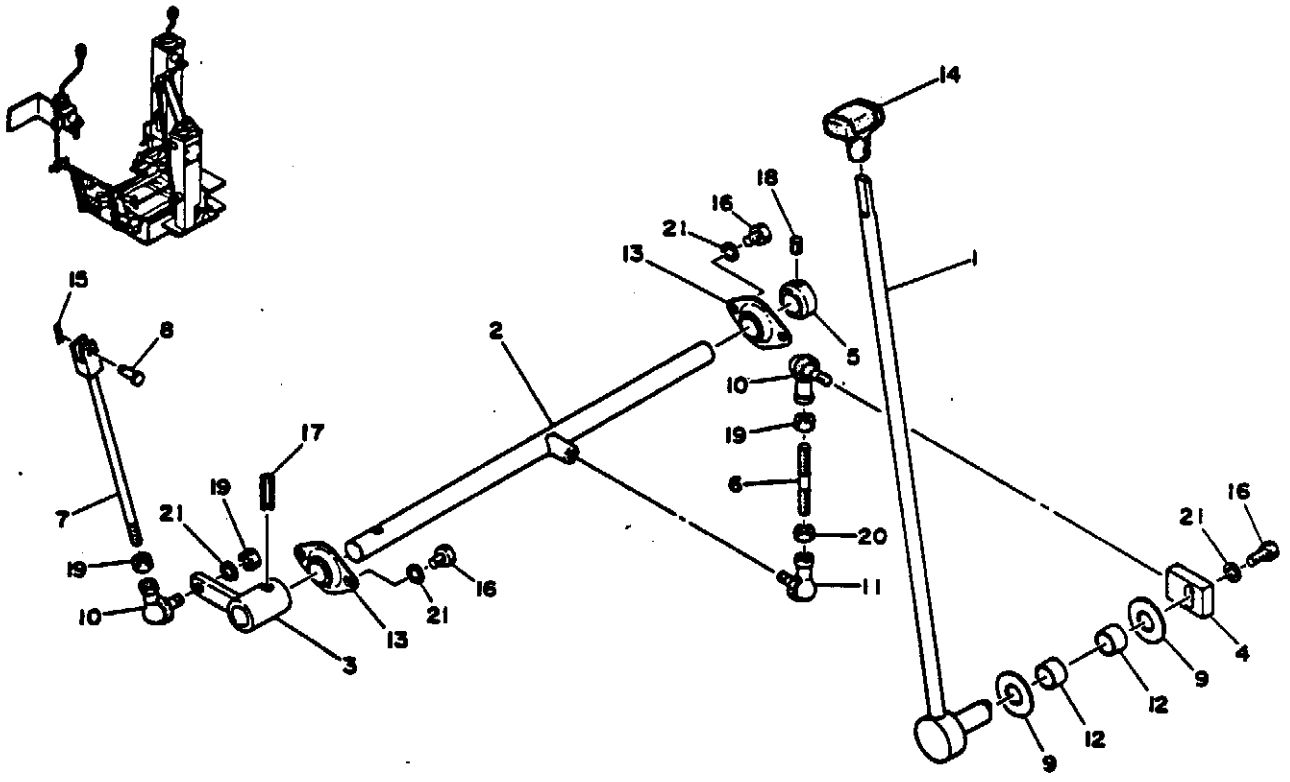
NOTE  
for Detail  
S25 -

NOTE for Detail S25 -

No. 0

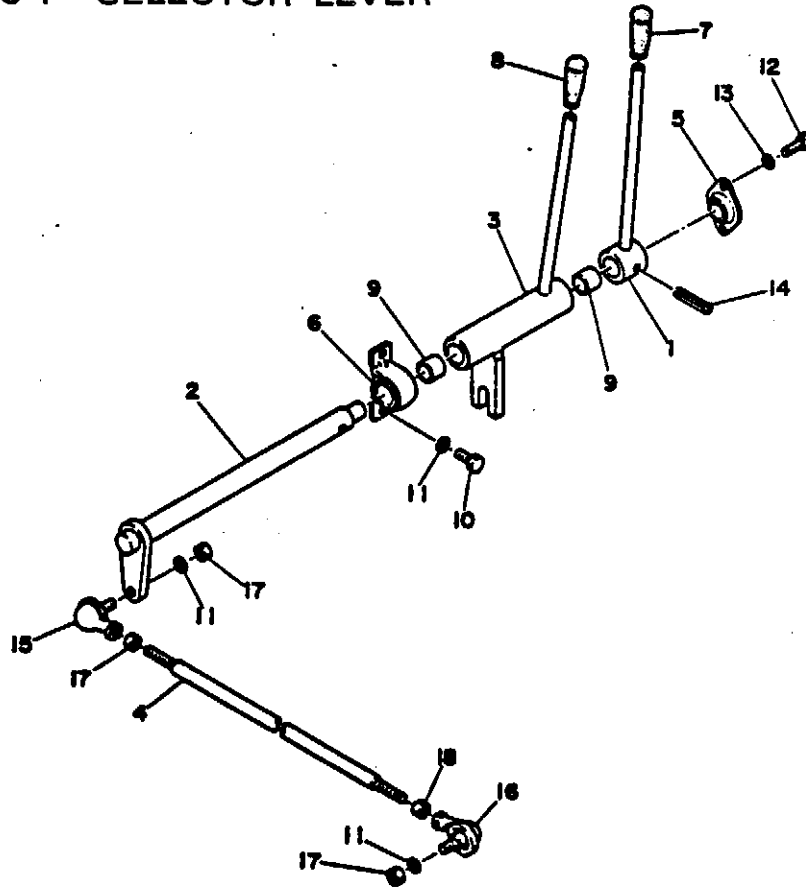
No. 2

FIG.14 CONTROL LEVER, BLADE



QTY	PARTS NUMBER	DESCRIPTION	QTY	REMARKS
1	01432-00000	LEVER, Blade	1	#21~
2	01432-02100	LEVER	1	#21~
3	01432-71900	LEVER	1	
4	01432-72200	LEVER	1	
5	01632-09400	STOPPER	1	
6	00030-00075	ROD	1	
7	00053-03200	ROD, Yoke	1	
8	00040-05117	PIN	1	
9	01632-16200	WASHER	2	
10	13400-00000	ROD, End	2	
11	13400-00005	ROD, End	1	
12	13330-02015	BUSHING	2	
13	13320-52022	MINI-PILLOW	2	
14	16502-00500	GRIP	1	#21~
15	12140-00000	PIN, Snap	1	
16	11000-40020	BOLT	5	
17	12130-00030	PIN, Spring	1	
18	11210-50016	SET, Screw	1	
19	11300-40000	NUT	3	
20	11315-40000	NUT	1	
21	11400-20000	WASHER, Spring	6	

FIG.15-1 SELECTOR LEVER

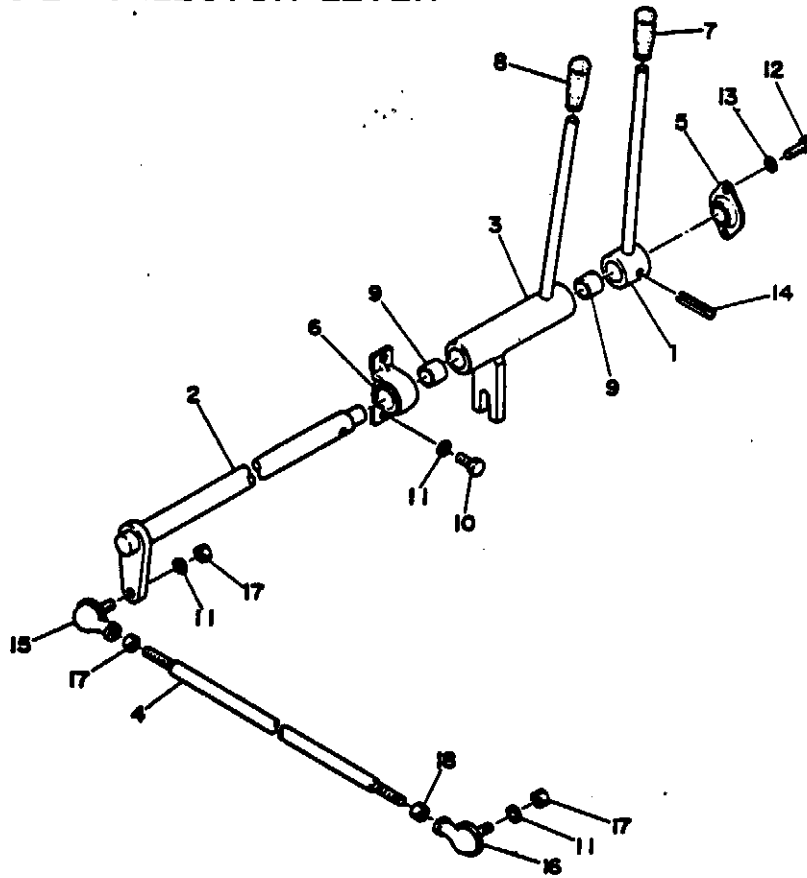


Qty	PARTS NUMBER	DESCRIPTION	Qty	REMARKS
1	01433-53300	LEVER	1	
2	01433-53300	LEVER	1	
3	01433-53400	LEVER	1	
4	01433-56100	ROD	1	
5	13320-51310	MINI-PILLOW	1	
6	13320-02032	MINI-PILLOW	1	
7	16501-12050	GRIP	1	
8	16501-22050	GRIP	1	
9	13330-02015	BUSHING	2	
10	11000-40020	BOLT	2	
11	11400-20000	WASHER, Spring	4	
12	11000-40020	BOLT	2	
13	11400-20000	WASHER, Spring	2	
14	12130-00030	PIN, Spring	1	
15	13400-00000	ROD, End	1	
16	13400-00005	ROD, End	1	
17	11300-40000	NUT	3	
18	11315-40000	NUT	1	

NOTE

0130-0225 for France  
 0130- for England, Singapore, & U.S.A.

FIG.15-2 SELECTOR LEVER



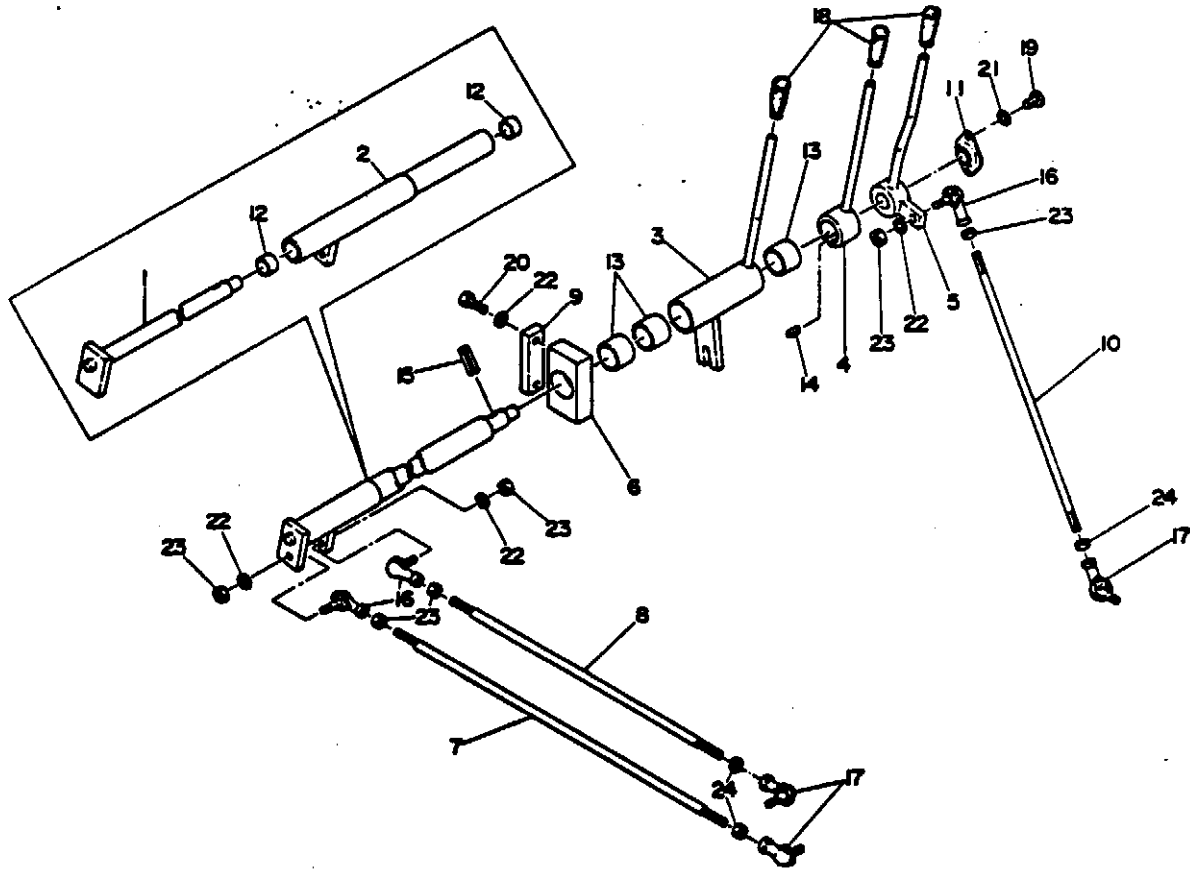
QTY	PARTS NUMBER	DESCRIPTION	QTY	REMARKS
1	01433-53200	LEVER	1	
2	01433-54100	LEVER	1	
3	01433-53400	LEVER	1	
4	01433-56100	ROD	1	
5	13320-51510	MINI-PILLOW	1	
6	13320-02022	MINI-PILLOW	1	
7	16501-12050	GRIP	1	
8	16501-22050	GRIP	1	
9	13330-02015	BUSHING	2	
10	11000-40020	BOLT	2	
11	11400-20000	WASHER, Spring	4	
12	11000-40020	BOLT	2	
13	11400-20000	WASHER, Spring	2	
14	12130-00030	PIN, Spring	1	
15	13400-00000	ROD, End	1	
16	13400-00000	ROD, End	1	
17	11300-40000	NUT	3	
18	11315-40000	NUT	1	

NOTE

813-025 for Sweden

813- for Norway

FIG.15-3 SELECTOR LEVER



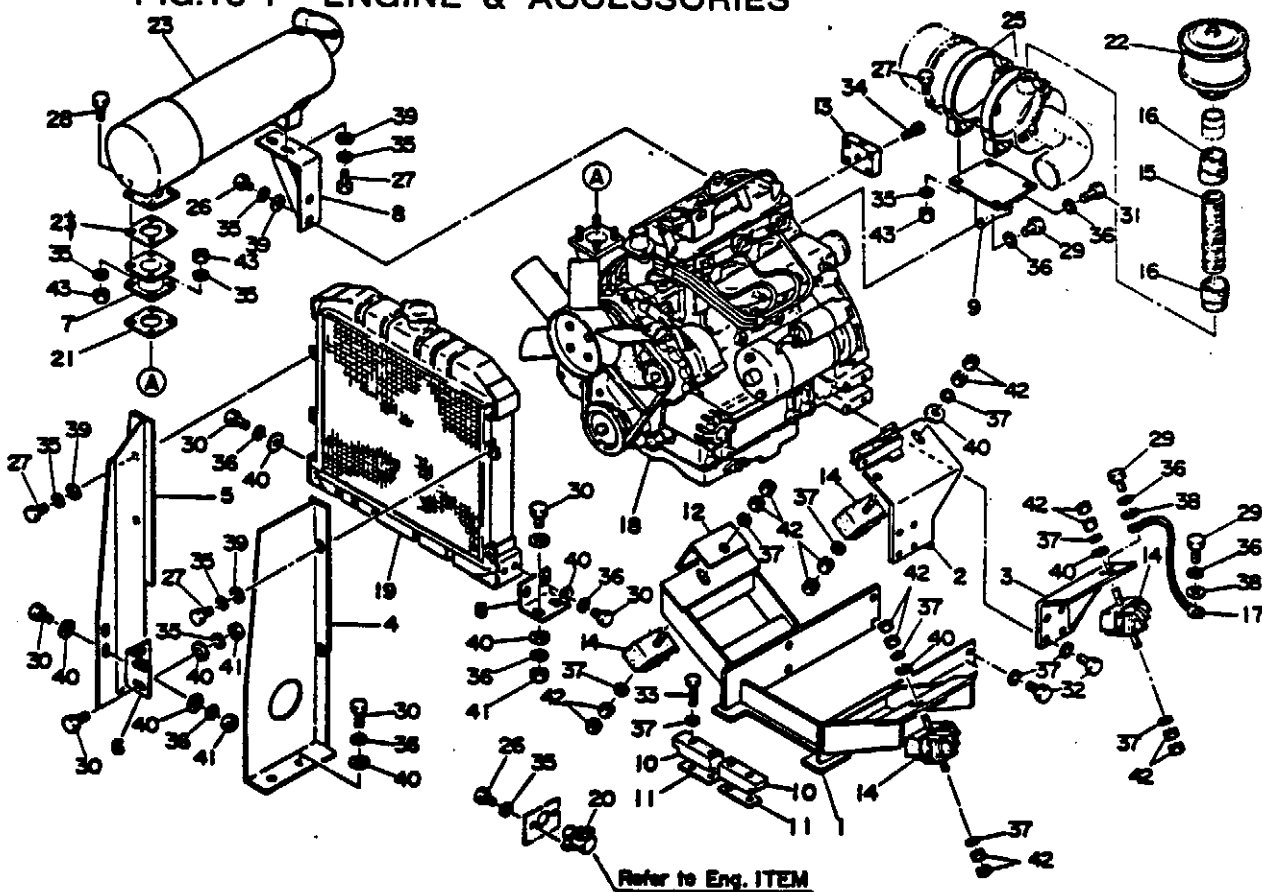
QTY	PARTS NUMBER	DESCRIPTION	QTY	REMARKS
1	01433-57000	LEVER	1	
2	01433-57900	LEVER	1	
3	01433-57700	LEVER	1	
4	01433-57400	LEVER	1	
5	01433-50000	LEVER	1	
6	01433-57500	CASE, Bearing	1	
7	01433-56100	ROD	1	
8	00051-00014	ROD	1	
9	01332-14000	SPACER	1	
10	00050-00370	ROD	1	
11	13320-51518	MINI-PILLOW	1	
12	13331-02015	BUSHING	2	
13	13331-03123	BUSHING	3	
14	12011-40520	KEY	1	
15	13130-00040	PIN, Spring	1	
16	13400-00000	ROD, End	3	
17	13400-00005	ROD, End	3	
18	10301-12050	GRIP	3	
19	11000-40616	BOLT	2	
20	11000-40023	BOLT	2	
21	11400-20000	WASHER, Spring	2	
22	11400-20000	WASHER, Spring	5	
23	11300-40000	NUT	6	
24	11315-40000	NUT	3	

NOTE

REV. 2 - For Press & Sinter

Rev. 0

FIG.16-1 ENGINE & ACCESSORIES



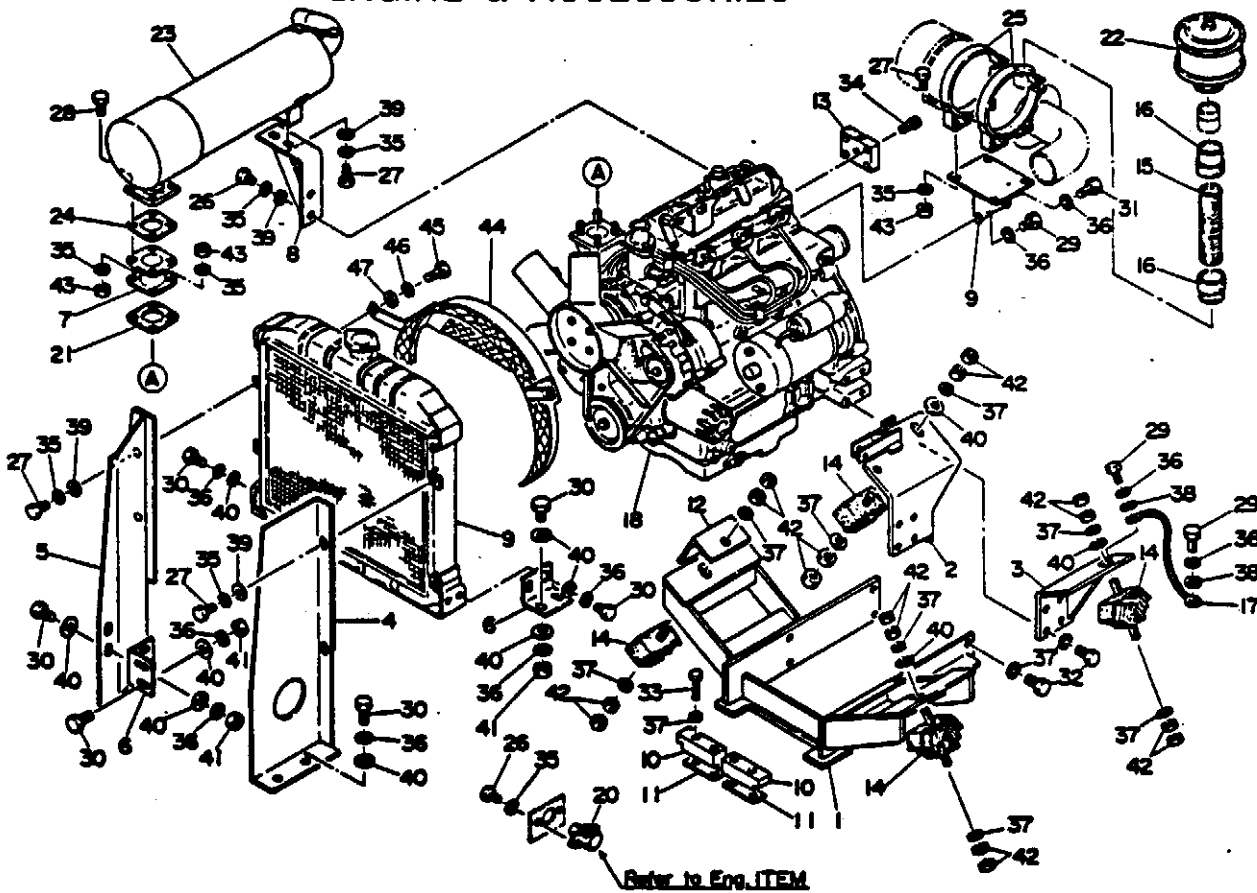
Item	PARTS NUMBER	DESCRIPTION	Qty	REMARKS	Item	PARTS NUMBER	DESCRIPTION	Qty	REMARKS
1	01440-50100	FOOT, Engine	1		20	10100-23051	GASKET	1	Y1200-1300
2	01440-50700	FOOT, Engine	1		25	10110-02340	BAND, Mounting	2	
3	01440-50200	FOOT, Engine	1		26	11000-40010	BOLT	4	
4	01440-50100	PLATE, Baffle	1		27	11000-40020	BOLT	10	
5	01440-50200	PLATE, Baffle	1		28	11000-40025	BOLT	4	
6	01440-50600	ANGLE	2		29	11000-41020	BOLT	3	
7	01440-50300	TUBE	1		30	11000-41025	BOLT	12	
8	01440-50400	BRACKET	1		31	11000-41035	BOLT	1	
9	01440-50500	BRACKET	1		32	11000-41225	BOLT	16	
10	01440-55100	STOPPER	2		33	11000-41250	BOLT	4	
11	01440-55300	SHIM	40		34	11100-40025	BOLT, Socket	4	
	01440-55400	SHIM	40		35	11400-20000	WASHER, Spring	22	
12	01440-55500	COVER	1		36	11400-20010	WASHER, Spring	16	
13	01440-57100	PORT, Heater	1		37	11400-20012	WASHER, Spring	28	
14	10510-49014	RUBBER, Cushion	4		38	11411-10010	WASHER, Plain	2	
15	15060-50010	NOSE	1		39	00036-00250	WASHER	8	
16	15060-00050	CUFF	2		40	00036-00006	WASHER	19	
17	17024-30200	CABLE, Barb	1		41	11300-40010	NUT	6	
Q1	*****	ENGINE ASSY	1	3000L-11	42	11300-40012	NUT	16	
18	*****	ENGINE	1		43	11300-40008	NUT	12	
19	*****	RADIATOR	1	Y12007-4000					
20	*****	PLUG, Drain	1	Y721400-00100					
21	*****	GASKET	1	Y121400-13000					
22	*****	PRE-CLEANER	1	Y120004-12000					
23	01440-50600	SILENCER	1						

NOTE 000~ for all except Scales 000~020 for Scales Rev. 0

NOTE

000~ for all except Scales  
000~020 for Scales

FIG.16-2 ENGINE & ACCESSORIES



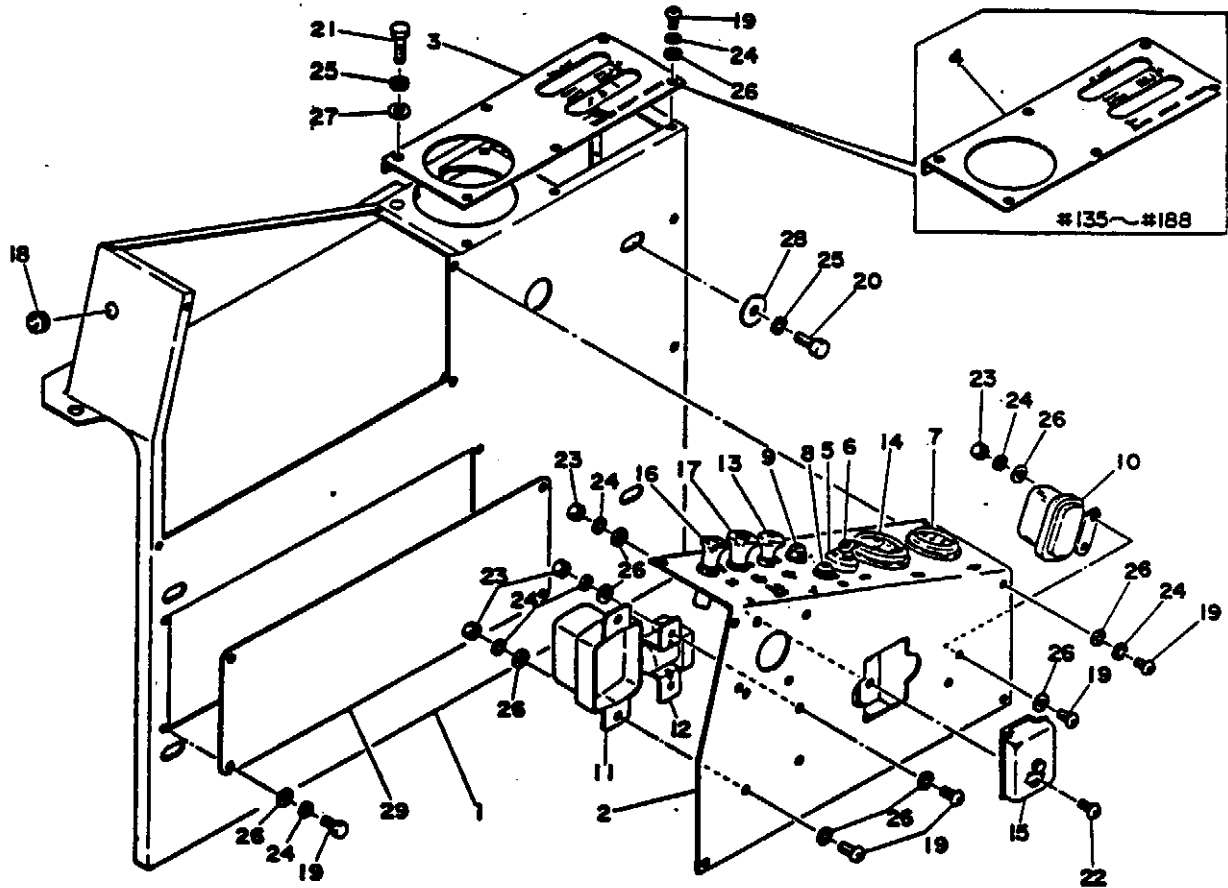
QTY	PARTS NUMBER	DESCRIPTION	QTY	REMARKS	QTY	PARTS NUMBER	DESCRIPTION	QTY	REMARKS
1	01440-50100	FOOT. Engine	1		24	19100-23051	GASKET	1	Y12140-1320
2	01440-50700	FOOT. Engine	1		25	19112-02340	BAND. Mounting	2	
3	01440-50200	FOOT. Engine	1		26	11000-40016	BOLT	4	
4	01440-50100	PLATE Baffle	1		27	11000-40020	BOLT	10	
5	01440-50200	PLATE Baffle	1		28	11000-40025	BOLT	4	
6	01440-50600	ANGLE	2		29	11000-41020	BOLT	3	
7	01440-50300	TUBE	1		30	11000-41025	BOLT	12	
8	01440-50400	BRACKET	1		31	11000-41035	BOLT	1	
9	01440-50500	BRACKET	1		32	11000-41225	BOLT	10	
10	01440-55100	STOPPER	2		33	11000-41250	BOLT	4	
11	01440-55300	SNIM	4		34	11100-40025	BOLT. Socket	4	
	01440-55400	SNIM	4		35	11400-20000	WASHER. Spring	22	
12	01440-55500	COVER	1		36	11400-20010	WASHER. Spring	16	
13	01440-57100	PORT. Heater	1		37	11400-20012	WASHER. Spring	28	
14	16510-49014	RUBBER. Cushion	4		38	11411-10010	WASHER. Plain	2	
15	15660-50010	NOSE	1		39	00036-08252	WASHER	1	
16	15660-00050	CUPP	2		40	00036-00000	WASHER	10	
17	17034-30200	CABLE. Earth	1		41	11300-40010	NUT	6	
01	*****	ENGINE ASSY	1	3000L-B	42	11300-40012	NUT	16	
18	*****	ENGINE	1		43	11300-40002	NUT	12	
19	*****	RADIATOR	1	Y12007-4000	44	01440-03100	COVER. Fan	1	
20	*****	PLUG. Drain	1	Y72140-0000	45	11000-40016	BOLT	2	
21	*****	GASKET	1	Y12140-1320	46	11400-20000	WASHER. Spring	2	
22	*****	PRE-CLEANER	1	Y12004-1200	47	11400-10000	WASHER. Plain	2	
23	01440-50600	SILENCER	1						

NOTE 520 ~ for Series

NOTE

520 ~ for Series

FIG.17-1 CONTROL BOX



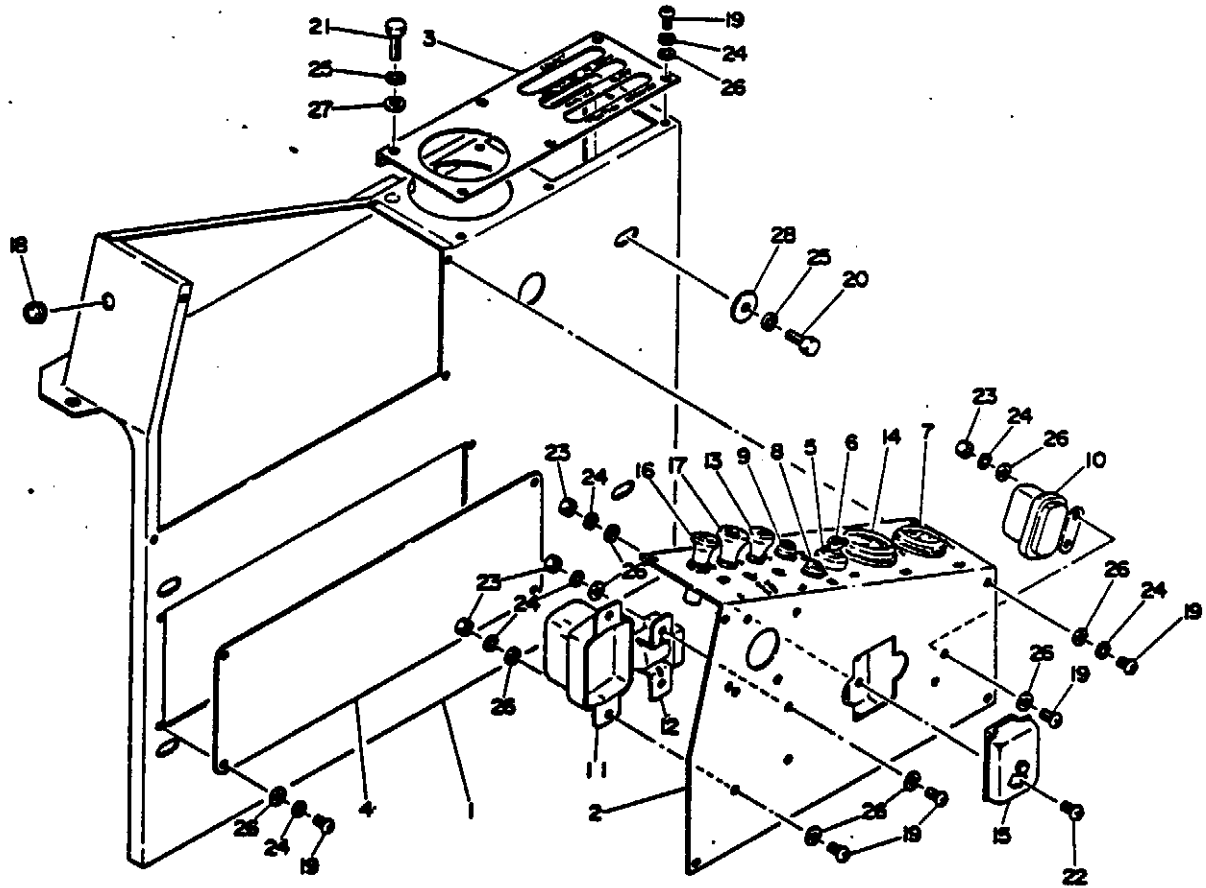
Qty	PARTS NUMBER	DESCRIPTION	REMARKS	Qty	PARTS NUMBER	DESCRIPTION	REMARKS
1	01443-57100	BOX, Control	1	25	11400-20000	WASHER, Spring	6
2	01443-57200	PANEL, Control	1	26	11411-10000	WASHER, Plain	20
3	01443-58100	PANEL, Control	1	27	11411-10000	WASHER, Plain	1
4	01443-61100	PANEL, Control	1	28	00025-02003	WASHER	5
5	00000-00000	SWITCH, Starter	1	29	01443-57400	COVER	1
6	00000-00000	KEY	1				
7	00000-00000	THERMOMETER	1				
8	00000-00000	LAMP, Charge	1				
9	00000-00000	LAMP, Oil	1				
10	00000-00000	RELAY, Safety	1				
11	00000-00000	REGULATOR	1				
12	00000-00000	SWITCH, Solenoid	1				
13	17010-00102	SWITCH, Light	1				
14	17300-05970	METER, Hour	1				
15	17012-00200	BOX, Fuse	1				
16	19110-00200	SWITCH, Heater	1				
17	17043-00002	SWITCH, Wiper	1				
18	16520-00002	GROMMET	1				
19	11205-30616	SCREW, Pan-head	21				
20	11000-40020	BOLT	3				
21	11000-40030	BOLT	1				
22	11205-30616	SCREW, Pan Head	2				
23	11300-40000	NUT	6				
24	11400-20000	WASHER, Spring	23				

NOTE: S183 -for all except France & Sweden  
S183 -0225 for France & Sweden

NOTE: S183 -for all except France & Sweden  
S183 -0225 for France & Sweden



FIG.17-2 CONTROL BOX



Qty	PARTS NUMBER	DESCRIPTION	REMARKS	Qty	PARTS NUMBER	DESCRIPTION	REMARKS
1	01443-57100	BOX, Control	1	2	11411-10006	WASHER, Plain	2
2	01443-57200	PANEL, Control	1	27	11411-10006	WASHER, Plain	1
3	01443-62100	PANEL, Control	1	28	00036-00003	WASHER	3
4	01443-57400	COVER	1				
5	00000-00000	SWITCH, Starter	1	Y20210-0000			
6	00000-00000	KEY	1	Y20210-0100			
7	00000-00000	THERMOMETER	1	Y12072-7700			
8	00000-00000	LAMP, Charge	1	Y12072-7720			
9	00000-00000	LAMP, Oil	1	Y12072-7730			
10	00000-00000	RELAY, Safety	1	Y12042-7700			
11	00000-00000	REGULATOR	1	Y12050-7710			
12	00000-00000	SWITCH, Solenoid	1	Y12072-7710			
13	17010-00103	SWITCH, Light	1				
14	17300-05970	METER, Hour	1				
15	17012-00200	BOX, Fuse	1				
16	19115-00200	SWITCH, Heater	1				
17	17043-00002	SWITCH, Wiper	1				
18	16520-00002	GROMMET	1				
19	11205-30616	SCREW, Pan-head	2	825 -			
20	11000-40020	BOLT	5				
21	11000-40030	BOLT	1				
22	11205-30614	SCREW, Pan Head	2				
23	11300-40000	NUT	6				
24	11400-20006	WASHER, Spring	2				
25	11400-20008	WASHER, Spring	6				

NOTE 825 - for France & Sweden

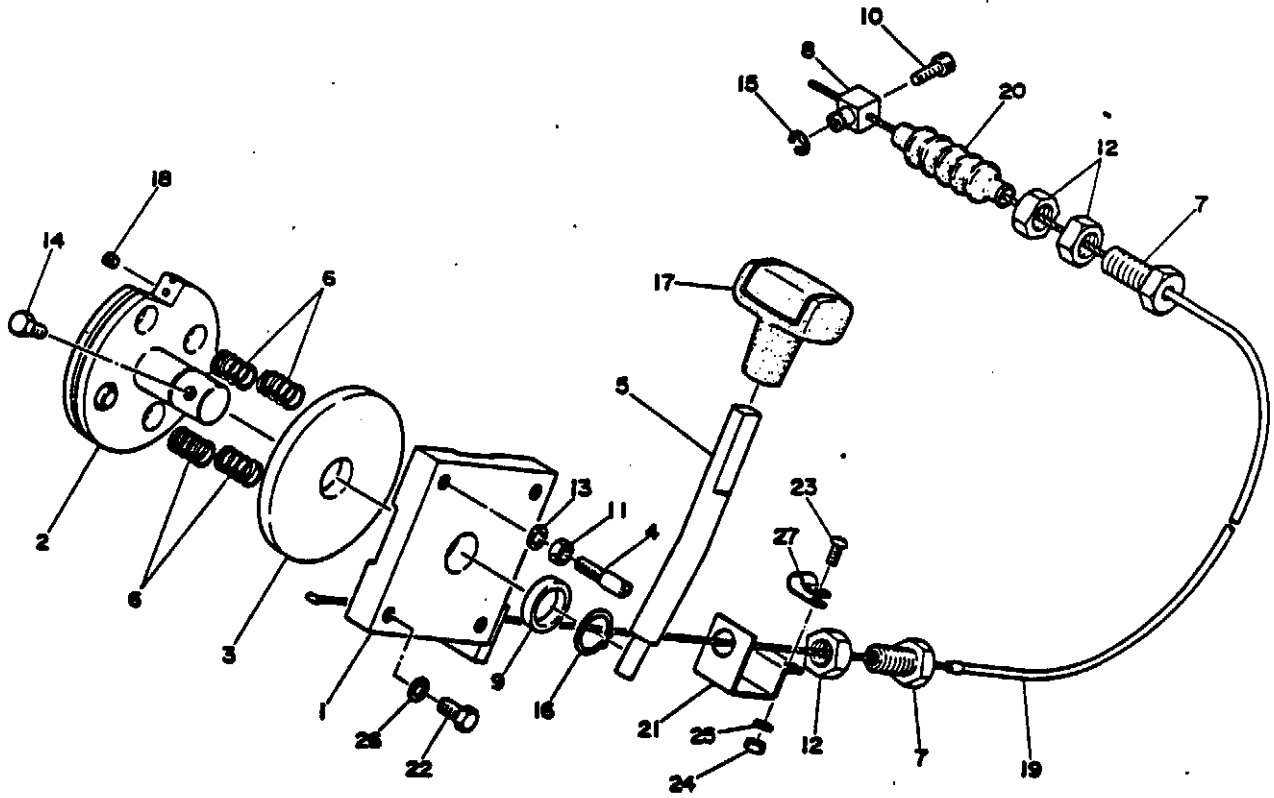
825-0

NOTE

825 - for France & Sweden

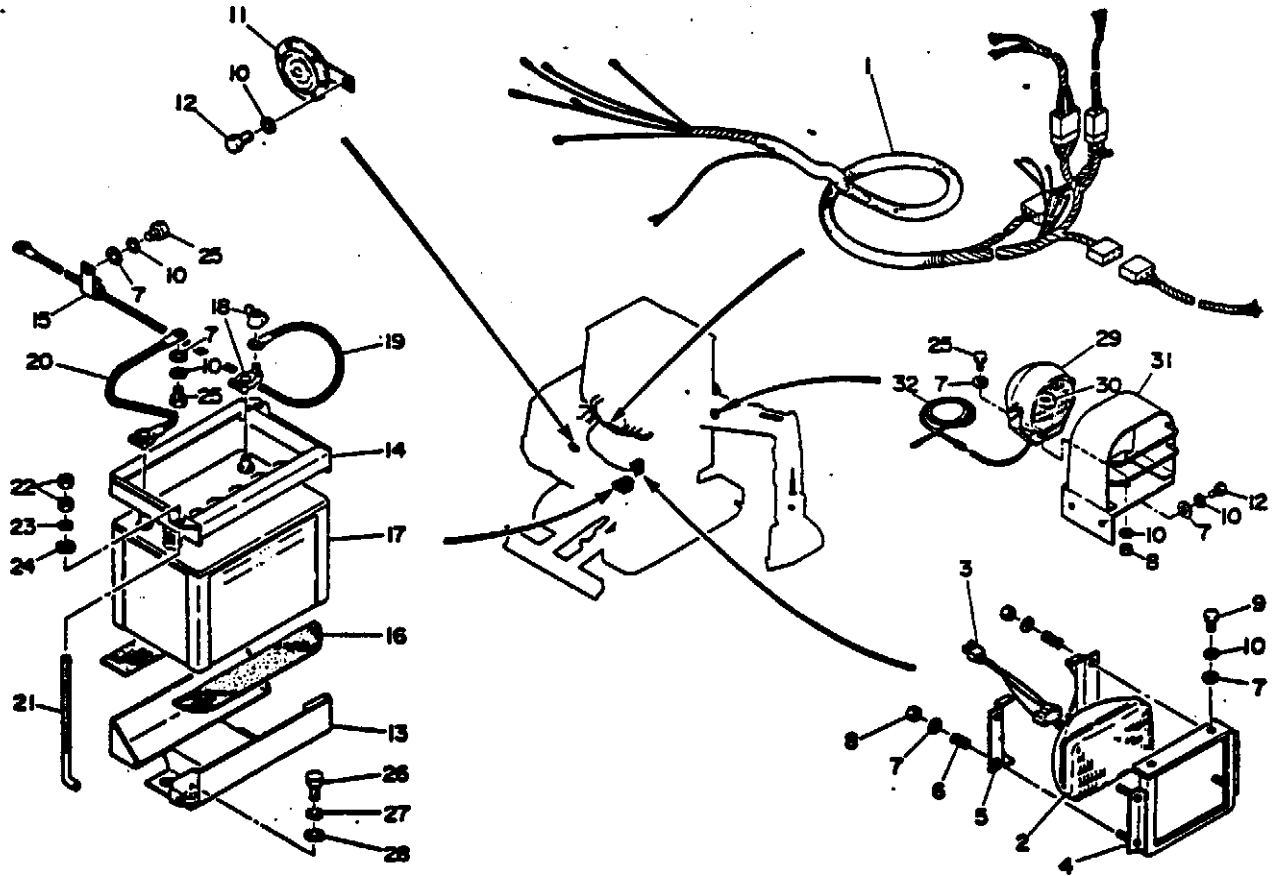
in. 3

FIG.18 ENGINE CONTROL



QTY	PARTS NUMBER	DESCRIPTION	QTY	REMARKS	QTY	PARTS NUMBER	DESCRIPTION	QTY	REMARKS
0-1	01641-00010	CONTROL ASSY. Engine	1		20	11300-40004	NUT	1	
1	01641-00100	☆BODY	1		21	11411-20004	WASHER, Plain	1	
2	01641-00200	☆SHAPT. Drum	1		22	11000-20000	WASHER, Spring	3	
3	01641-00300	☆DISK	1		27	16524-00004	CLAMP	1	
4	01641-00400	☆PIN	1						
5	01641-03100	☆LEVER	1						
6	00070-00001	☆SPRING	4						
7	00079-00002	☆BOLT	2						
8	01641-19300	☆PIN	1						
9	00030-20005	☆COLLAR	1						
10	11100-50515	☆BOLT, Socket	1						
11	11300-40000	☆NUT	1						
12	11300-40012	☆NUT	3						
13	11400-20000	☆WASHER, Spring	1						
14	11000-40012	☆BOLT	1						
15	12240-00000	☆E-RING	1						
16	12200-00020	☆RING, Seal	1						
17	16502-00500	☆GRIP	1						
18	11210-50506	☆SET. Screw	1						
0-2	02241-90100	CABLE ASSY. Control	1						
19	02241-10000	☆CABLE, Control	1						
20	00079-00014	☆ROOT	1						
21	02241-11100	CLAMP	1						
22	11000-40012	BOLT	3						
23	11205-30410	SCREW, Pan Head	1						

FIG.19-1 ELECTRICALS



Qty	PARTS NUMBER	DESCRIPTION	Qty	REMARKS	Qty	PARTS NUMBER	DESCRIPTION	Qty	REMARKS
1	01442-00010	HARNES. Wiring	1	SEE -	2	11000-41020	BOLT	4	
2	17030-00400	LAMP, Rectangular	1		27	11400-20010	WASHER, Spring	4	
3	17030-00402	CONNECTOR	1		28	00036-00000	WASHER, Plain	4	
4	01382-31600	HOLDER	1		29	17030-00300	LAMP, Horn	1	
5	01382-31700	HOLDER	2		30	17030-00203	BULB	1	
6	00070-00001	SPRING	4		31	01442-03500	PROTECTOR, Lamp	1	
7	11411-10000	WASHER, Plain	12		32	01442-03400	HARNES. Light	1	
8	11300-40000	NUT	5						
9	11000-40030	BOLT	2						
10	11400-20000	WASHER, Spring	9						
11	17035-00412	HORN	1						
12	11000-40012	BOLT	3						
13	01444-03100	STAND	1						
14	01444-03200	HOLDER	1						
15	00073-00004	CLAMP	2						
16	10347-00000	RUBBER	2						
17	17020-00110	BATTERY	1						
18	17023-00513	TERMINAL	1						
19	17026-02135	CABLE, Battery	1						
20	17022-20340	CABLE, Earth	1						
21	17021-00200	BOLT, Hook	2						
22	11300-40000	NUT	4						
23	11400-20000	WASHER, Spring	2						
24	11411-10000	WASHER, Plain	2						
25	11000-40010	BOLT	4						
NOTE SEE - for all except Sinter & Horn									

NOTE

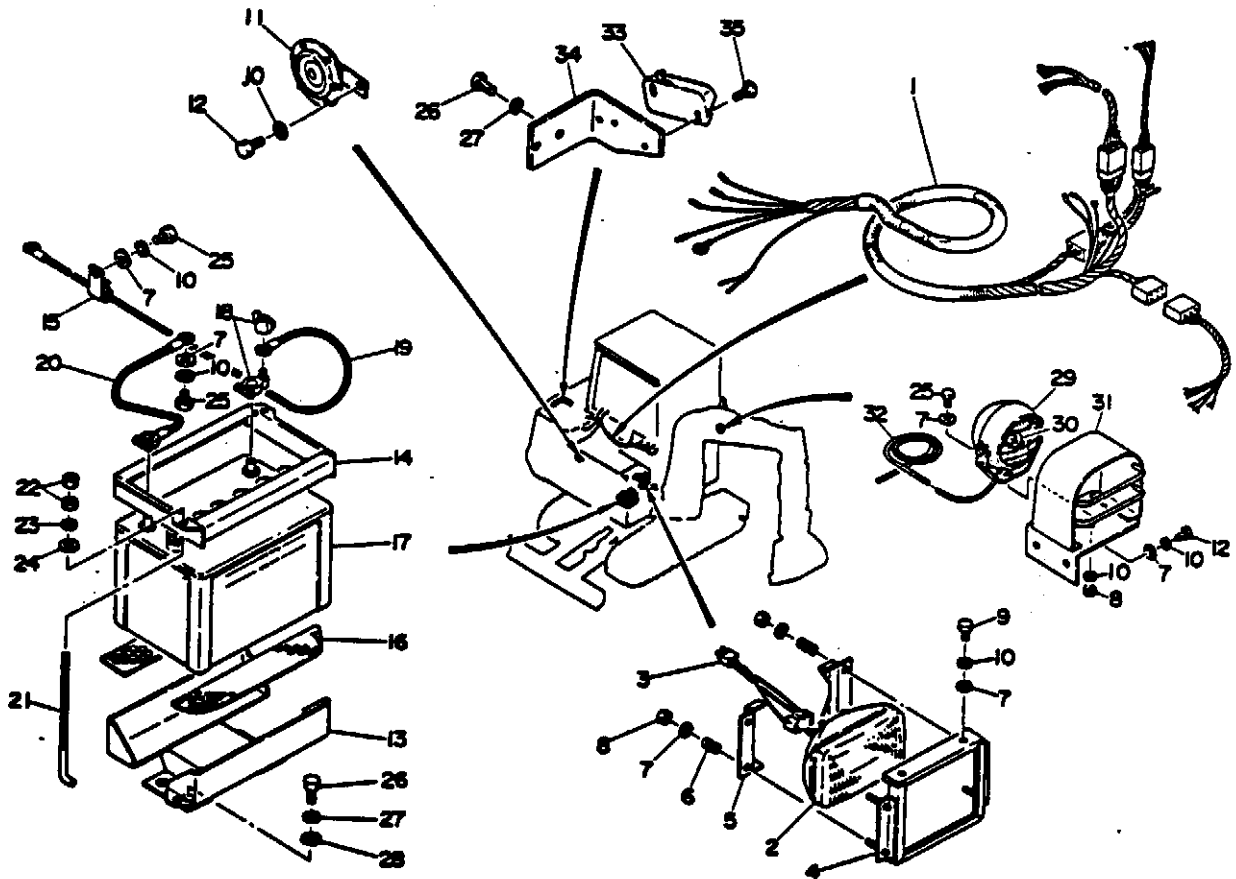
SEE - for all except Sinter & Horn

NOTE SEE - for all except Sinter & Horn Rev. D

Rev. D

42

# FIG.19-2 ELECTRICALS



Qty	PARTS NUMBER	DESCRIPTION	REMARKS	Qty	PARTS NUMBER	DESCRIPTION	REMARKS
1	01442-00010	HARNES. Wiring	1 020-	5	11000-41020	BOLT	6
2	17030-00400	LAMP. Rectangular	1	27	11400-20010	WASHER. Spring	6
3	17030-00402	CONNECTOR	1	28	00030-00000	WASHER. Plain	4
4	01302-51000	HOLDER	1	29	17030-00300	LAMP. Beam	1
5	01302-51700	HOLDER	2	30	17030-00203	BULB	1
6	00070-00001	SPRING	4	31	01442-03500	PROTECTOR, Lamp	1
7	11411-10000	WASHER. Plain	12	32	01442-03400	HARNES. Light	1
8	11300-40000	NUT	5	33	16530-14305	LAMP. Room	1
9	11000-40020	BOLT	2	34	01442-00300	BRACKET	1
10	11400-20000	WASHER. Spring	9	35	11205-30410	SCREW. Pan-head	2
11	17035-00412	HORN	1				
12	11000-40012	BOLT	3				
13	01444-03100	STAND	1				
14	01444-03200	HOLDER	1				
15	00073-00004	CLAMP	2				
16	16547-05024	RUBBER	2				
17	17020-00110	BATTERY	1				
18	17023-00513	TERMINAL	1				
19	17026-02135	CABLE. Battery	1				
20	17022-30340	CABLE. Earth	1				
21	17021-00200	BOLT. Hook	2				
22	11300-40000	NUT	4				
23	11400-20000	WASHER. Spring	2				
24	11411-10000	WASHER. Plain	2				
25	11000-40010	BOLT	4				

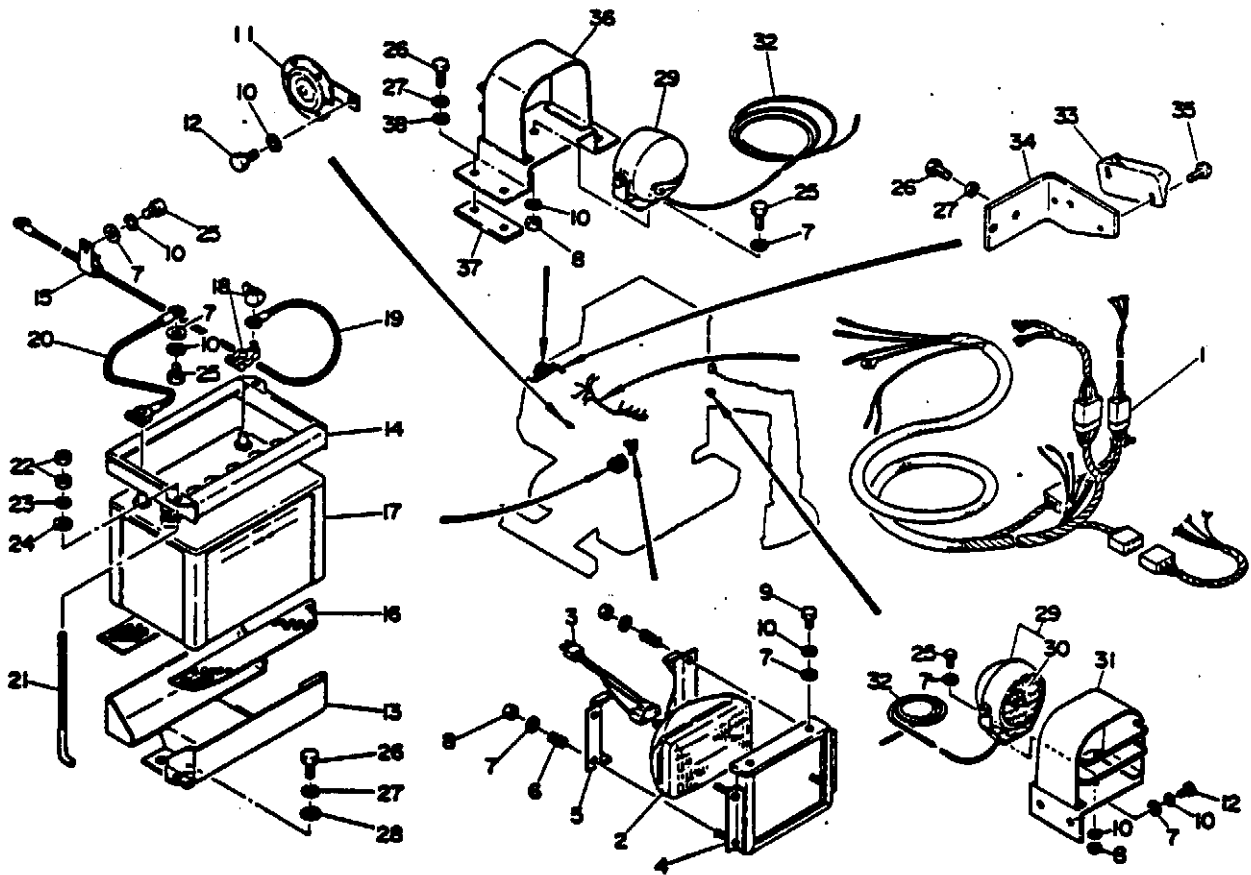
NOTE 020 - for Solder

Fig. 2

NOTE  
020 - for Solder

Fig. 2

FIG.19-3 ELECTRICALS



QTY	PARTS NUMBER	DESCRIPTION	QTY	REMARKS	QTY	PARTS NUMBER	DESCRIPTION	QTY	REMARKS
1	01442-00010	HARNES, Wiring	1	STD-	26	11000-41020	BOLT	10	
2	17030-00400	LAMP, Rectangular	1		27	11400-20010	WASHER, Spring	10	
3	17030-00402	CONNECTOR	1		28	00036-00006	WASHER, Plain	4	
4	01302-01000	HOLDER	1		29	17030-00300	LAMP, Beam	2	
5	01302-01700	HOLDER	2		30	17030-00203	WBULB	1	
6	00070-00001	SPRING	4		31	01442-03500	PROTECTOR, Lamp	1	
7	11411-10000	WASHER, Plain	13		32	01442-03400	HARNES, Light	1	
8	11300-40000	NUT	6		33	16530-14305	LAMP, Beam	1	
9	11000-40020	BOLT	2		34	01442-00300	BRACKET	1	
10	11400-20000	WASHER, Spring	10		35	11205-30410	SCREW, Pan-head	2	
11	17035-00412	HORN	1		36	01442-00400	PROTECTOR	1	
12	11000-40012	BOLT	1		37	01442-00100	PLATE	2	
13	01444-03100	STAND	1		38	11411-10010	WASHER, Plain	4	
14	01444-03200	HOLDER	1						
15	00073-00004	CLAMP	2						
16	16547-05024	RUBBER	2						
17	17020-00110	BATTERY	1						
18	17023-00513	TERMINAL	1						
19	17026-02135	CABLE, Battery	1						
20	17022-30340	CABLE, Earth	1						
21									
22	17021-00200	BOLT, Hook	2						
23	11300-40000	NUT	4						
24	11400-20000	WASHER, Spring	2						
25	11411-10000	WASHER, Plain	2						
26	11000-40010	BOLT	5						

NOTE: 0175, 0176, & 0179 ~ for harness

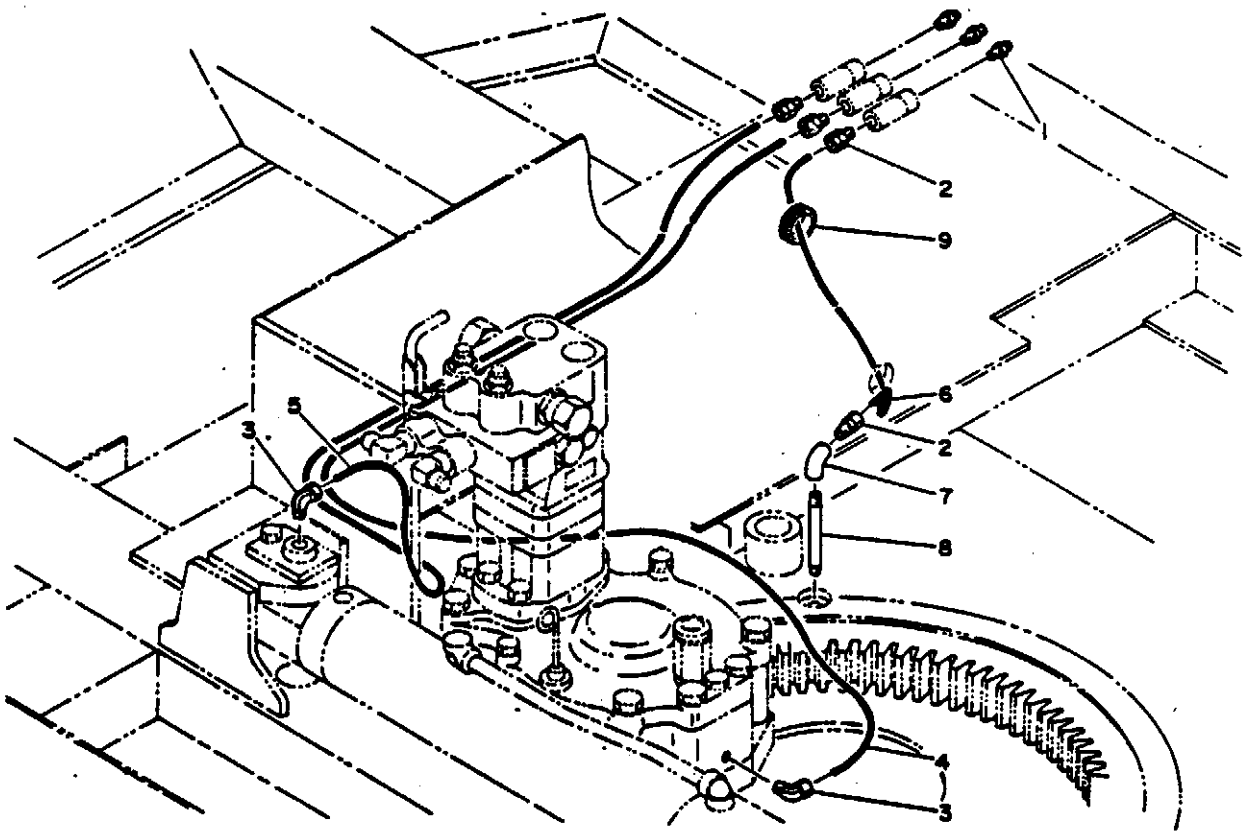
Fig. 2

Fig. 3

NOTE

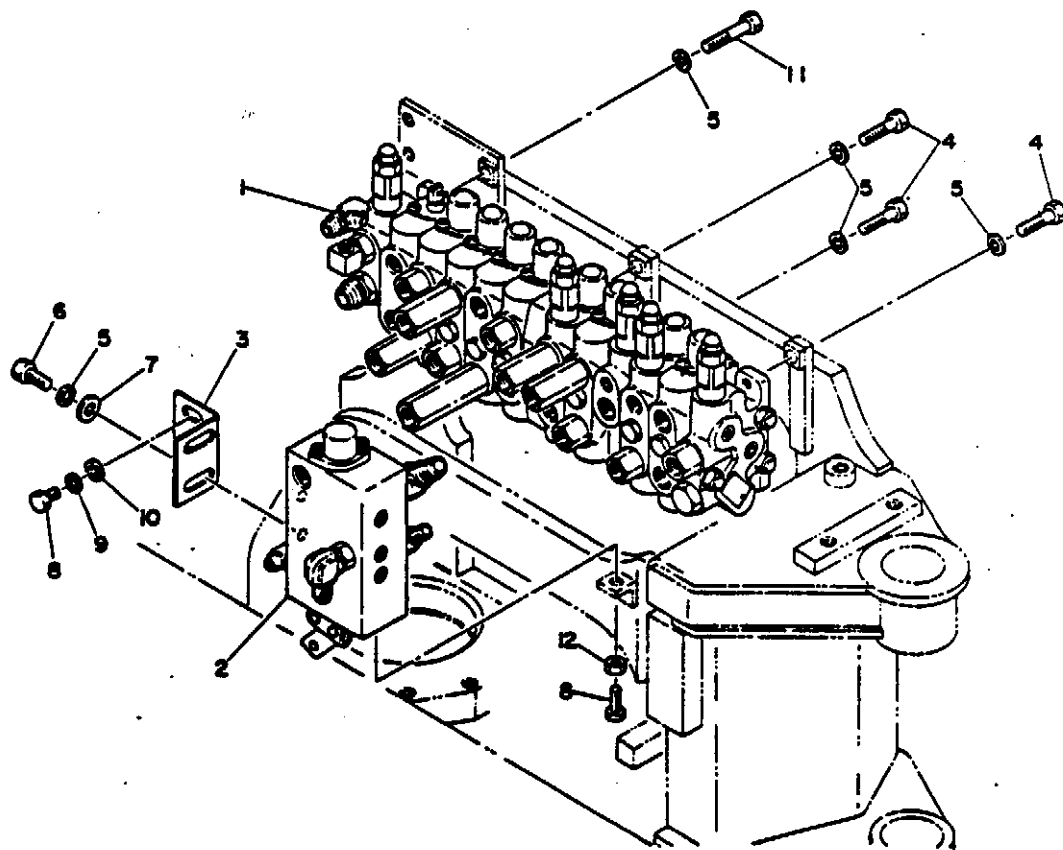
0175, 0176 & 0179 ~ for harness

FIG.20 GREASE PIPING



QTY	PARTS NUMBER	DESCRIPTION	QTY	REMARKS
2	15090-00100	NIPPLE Grease	2	
4	15325-20001	CONNECTOR	4	
2	15326-20001	ELBOW 90°	2	
1	15321-20625	TUBE	1	
1	15321-20600	TUBE	1	
1	15320-20605	TUBE	1	
1	15080-00001	ELBOW 90°	1	
1	00001-01000	NIPPLE	1	
1	16320-06201	GUARD	1	

FIG.21-1 VALVE MOUNTING

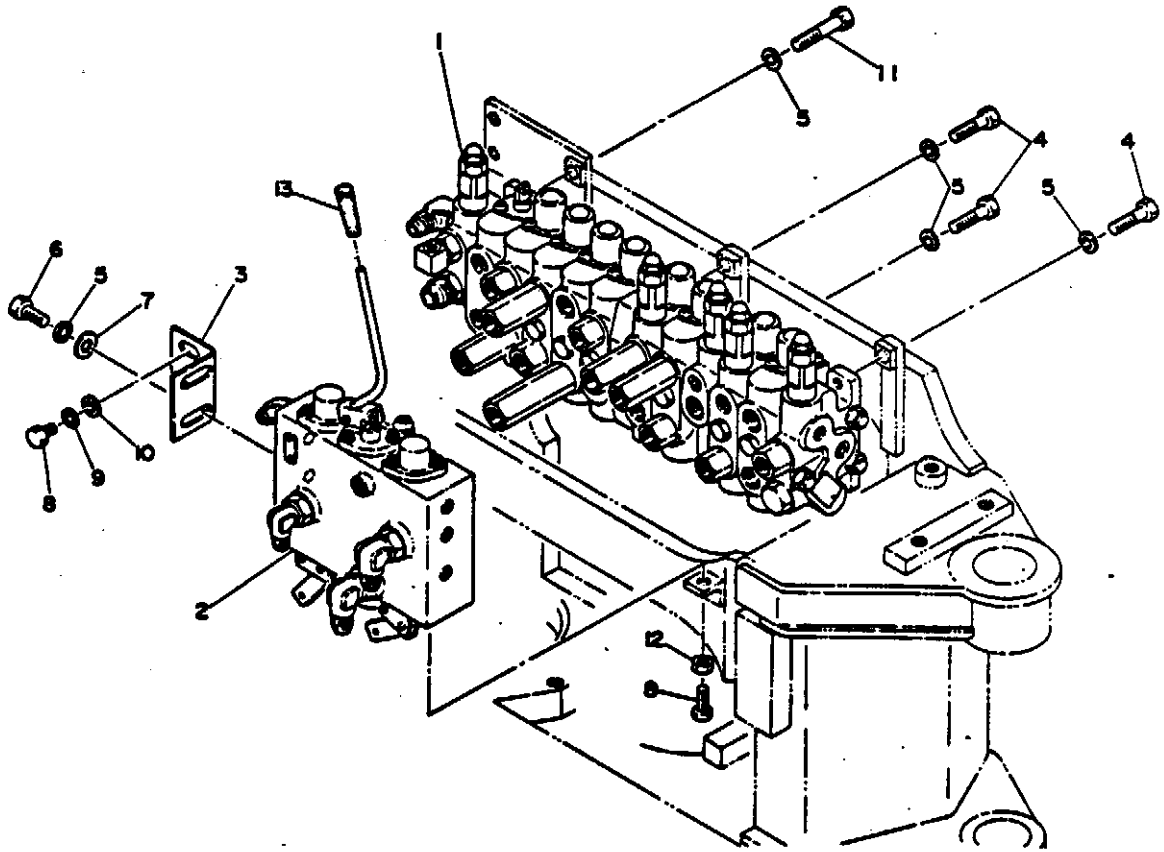


Qty	PARTS NUMBER	DESCRIPTION	Qty	REMARKS
1	19010-10700	VALVE Main Control	1	SIZE ~
	19010-11700	VALVE Main Control	1	SIZE ~
	19010-12700	VALVE Main Control	1	SIZE ~
2	19017-05000	VALVE Selector	1	
3	01440-50000	BRACKET	1	
4	11010-41025	BOLT	3	
5	11400-20010	WASHER, Spring	6	
6	11010-41025	BOLT	2	
7	00036-00003	WASHER	2	
8	11000-40025	BOLT	3	
9	11400-20000	WASHER, Spring	2	
10	00036-00252	WASHER	2	
11	11010-41000	BOLT	1	
12	11300-40000	NUT	1	

NOTE

SIZE ~  
for all except France & Sweden

FIG.21-2 VALVE MOUNTING



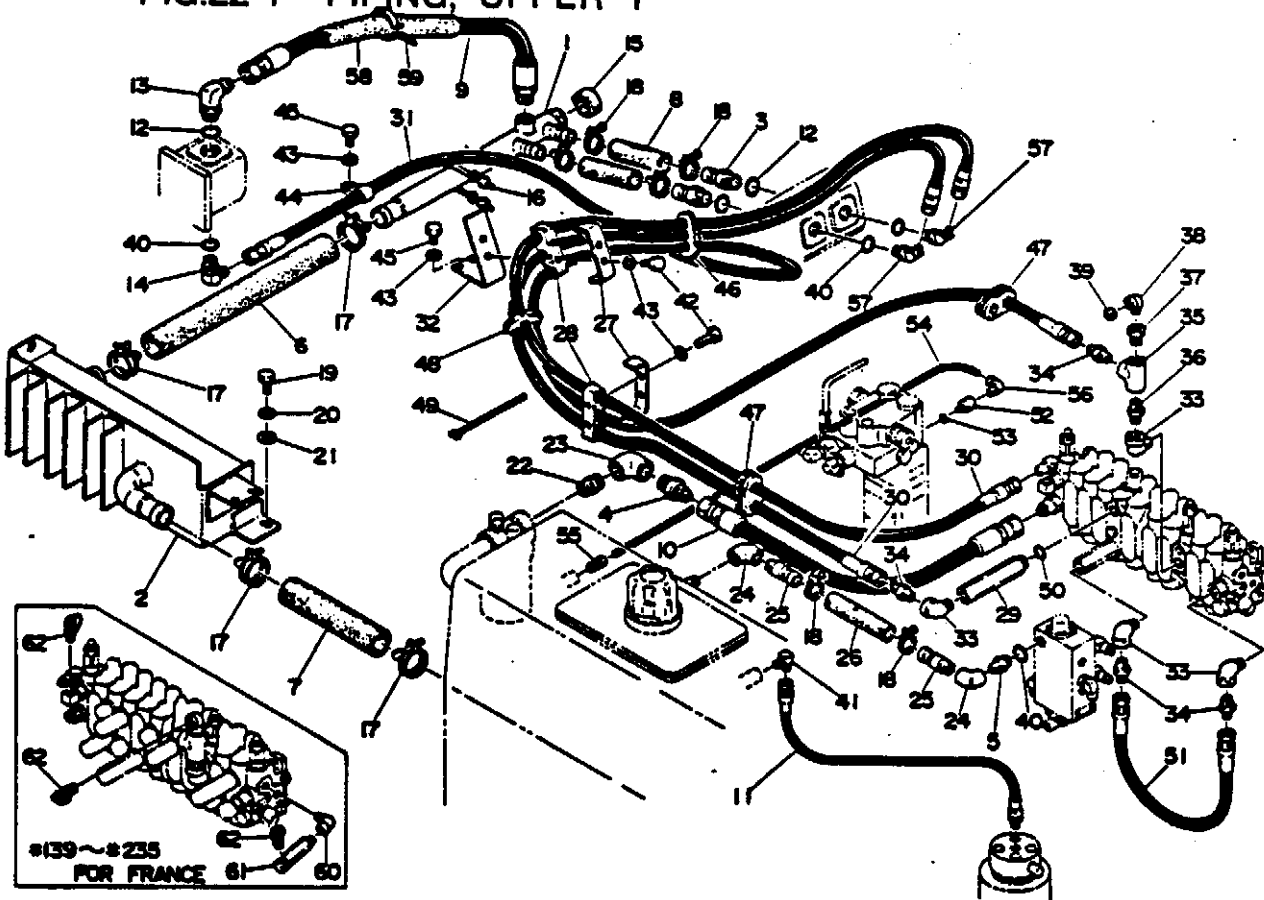
Qty	PARTS NUMBER	DESCRIPTION	Qty	REMARKS
1	19010-11700	VALVE, Main Control	1	813-025
	19010-12700	VALVE, Main Control	1	825-
2	19017-05500	VALVE, Selector	1	
3	01440-50000	BRACKET	1	
4	11010-41033	BOLT	3	
5	11400-20010	WASHER, Spring	6	
6	11010-41025	BOLT	2	
7	00030-00003	WASHER	2	
8	11000-40023	BOLT	3	
9	11400-20000	WASHER, Spring	2	
10	00030-00252	WASHER	2	
11	11010-41060	BOLT	1	
12	11300-40000	NUT	1	
13	10301-12000	GRIP	1	

NOTE

813 ~ for Pressure & Status



FIG.22-1 PIPING, UPPER 1



Qty	PARTS NUMBER	DESCRIPTION	REMARKS	Qty	PARTS NUMBER	DESCRIPTION	REMARKS
1	01470-53100	MANIFOLD Inlet	1	25	00000-00002	NIPPLE	2
2	01470-57100	SUB-TANK	1	26	15305-26030	HOSE	1
3	00072-00026	ADAPTOR	2	27	02270-71100	CLAMP	2
4	00072-00053	ADAPTOR	1	28	02270-71300	GUARD	2
5	00072-00122	ADAPTOR	1	29	00072-00112	ADAPTOR	1
6	15305-41050	HOSE	1	30	19072-12100	HOSE ASSY	2
7	15305-41024	HOSE	1	31	19072-12220	HOSE ASSY	1
8	15305-26015	HOSE	2	32	01470-56200	BRACKET	1
9	19000-19000	HOSE ASSY	1	33	15013-00004	ELBOW, 90°	4
10	19001-19055	HOSE ASSY	1	34	15110-00004	ADAPTOR	4
11	19000-00000	HOSE ASSY	1	35	15012-00004	TEE	1
12	14203-10012	O-RING	3	36	15015-00004	CONNECTOR	1
13	15152-00433	ELBOW, 90°	1	37	15016-00402	BUSHING	1
14	15152-00433	ELBOW, 90°	1	38	15013-00002	ELBOW	1
15	15002-00012	CAP	1	39	15016-10002	PLUG	1
16	15332-00012	U-BOLT ASSY	1	40	14203-10010	O-RING	4
17	15330-01055	CLAMP	4	41	15111-00002	ADAPTOR	1
18	15330-01035	CLAMP	6	42	11000-40045	BOLT	4
19	11000-41020	BOLT	5	43	11400-20000	WASHER, Spring	5
20	11400-20010	WASHER, Spring	5	44	00073-00002	CLAMP	2
21	00036-12004	WASHER	3	45	11000-40016	BOLT	4
22	15130-00010	NIPPLE	1	46	00970-22400	GUARD	1
23	15000-00010	ELBOW, 90°	1	47	00972-10300	GUARD	2
24	15000-00009	ELBOW, 90°	2	48	02572-01100	GUARD	1

NOTE 0100 ~for England, Singapore, & U.S.A.

0120 ~0220 for France

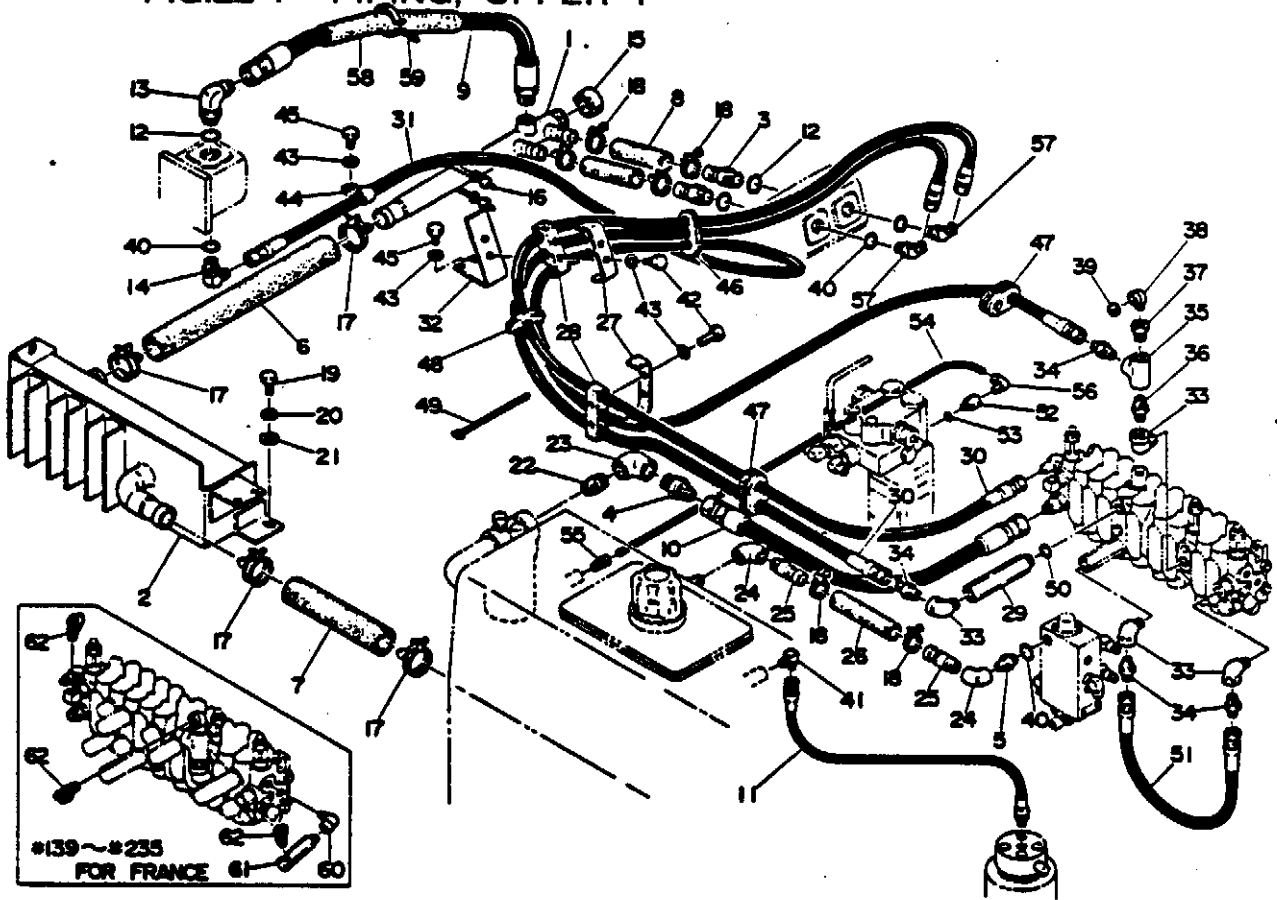
Rev. 0

NOTE 0100 ~for England, Singapore, & U.S.A.

0120 ~0220 for France

Rev. 1

FIG.22-1 PIPING, UPPER 1

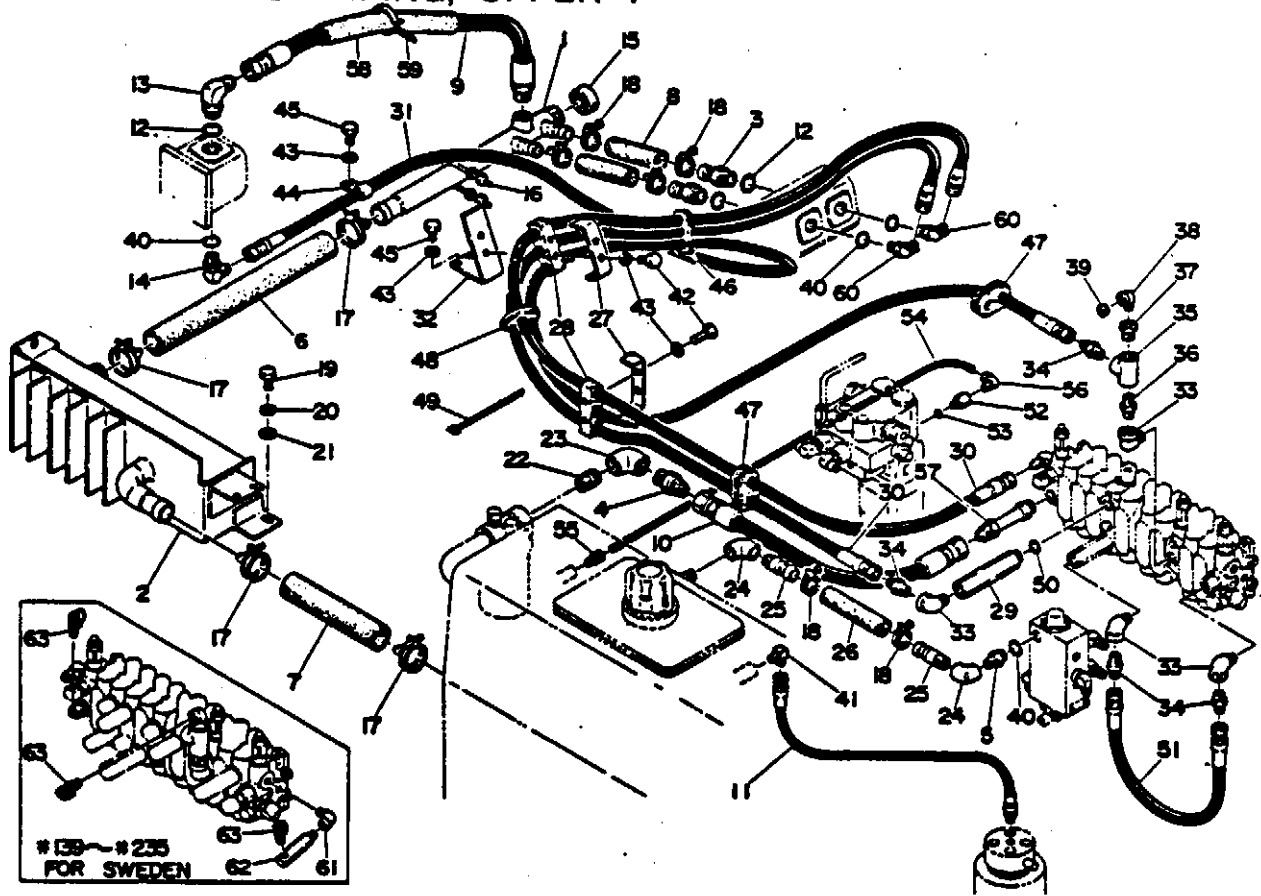


QTY	PARTS NUMBER	DESCRIPTION	QTY	REMARKS
1	18522-00003	BAND	1	
1	14203-10900	O-RING	1	
1	19002-13065	NOSE ASSY	1	
1	00970-53200	ADAPTOR	1	
1	14203-10904	O-RING	1	
1	15320-20645	TUBE	1	
1	15325-20601	CONNECTOR	1	
1	15320-20601	ELBOW 90°	1	
2	15153-01434	ELBOW 45°	2	
1	15313-35025	GUARD	1	
1	00073-00021	CLAMP	1	
1	15013-00002	ELBOW 90°	1	
1	00072-00054	ADAPTOR	1	
3	15134-00012	PORT	3	

NOTE

0100 -for England, Singapore, & U.S.A.  
 0130 -025 for France

FIG.22-2 PIPING, UPPER 1



Qty	PARTS NUMBER	DESCRIPTION	Qty	REMARKS	Qty	PARTS NUMBER	DESCRIPTION	Qty	REMARKS
1	01470-53100	MANIFOLD Inlet	1		26	15305-26030	NOSE	1	
1	01470-57100	SUB-TANK	1		27	02270-71100	CLAMP	2	
2	00072-00026	ADAPTOR	2		28	02270-71300	GUARD	2	
1	00072-00053	ADAPTOR	1		29	00072-00113	ADAPTOR	1	
1	00072-00122	ADAPTOR	1		30	19072-12100	NOSE ASSY	2	
1	15305-41050	NOSE	1		31	19072-12220	NOSE ASSY	1	
1	15305-41024	NOSE	1		32	01470-56200	BRACKET	1	
2	15305-26015	NOSE	2		33	15013-00004	ELBOW 90°	4	
1	19000-19000	NOSE ASSY	1		34	15110-00004	ADAPTOR	4	
1	19001-19001	NOSE ASSY	1		35	15012-00004	TEE	1	
1	19000-00000	NOSE ASSY	1		36	15015-00004	CONNECTOR	1	
2	14203-10912	O-RING	2		37	15016-00402	BUSHING	1	
1	15152-00533	ELBOW 90°	1		38	15013-00002	ELBOW	1	
1	15152-00433	ELBOW 90°	1		39	15010-10002	PLUG	1	
1	15008-00012	CAP	1		40	14203-10910	O-RING	4	
1	15332-00012	U-BOLT ASSY	1		41	15111-00002	ADAPTOR	1	
4	15330-01055	CLAMP	4		42	11000-40045	BOLT	4	
6	15330-01035	CLAMP	6		43	11400-20000	WASHER Spring	8	
5	11000-41020	BOLT	5		44	00073-00002	CLAMP	2	
5	11400-20010	WASHER Spring	5		45	11000-40016	BOLT	4	
5	00030-12004	WASHER	5		46	00970-22400	GUARD	1	
1	15130-00010	NIPPLE	1		47	00972-10300	GUARD	2	
1	15000-00010	ELBOW 90°	1		48	02572-01100	GUARD	1	
2	15000-00009	ELBOW 90°	2		49	16522-00405	BAND	1	
2	00092-00003	NIPPLE	2		50	14203-10908	O-RING	1	

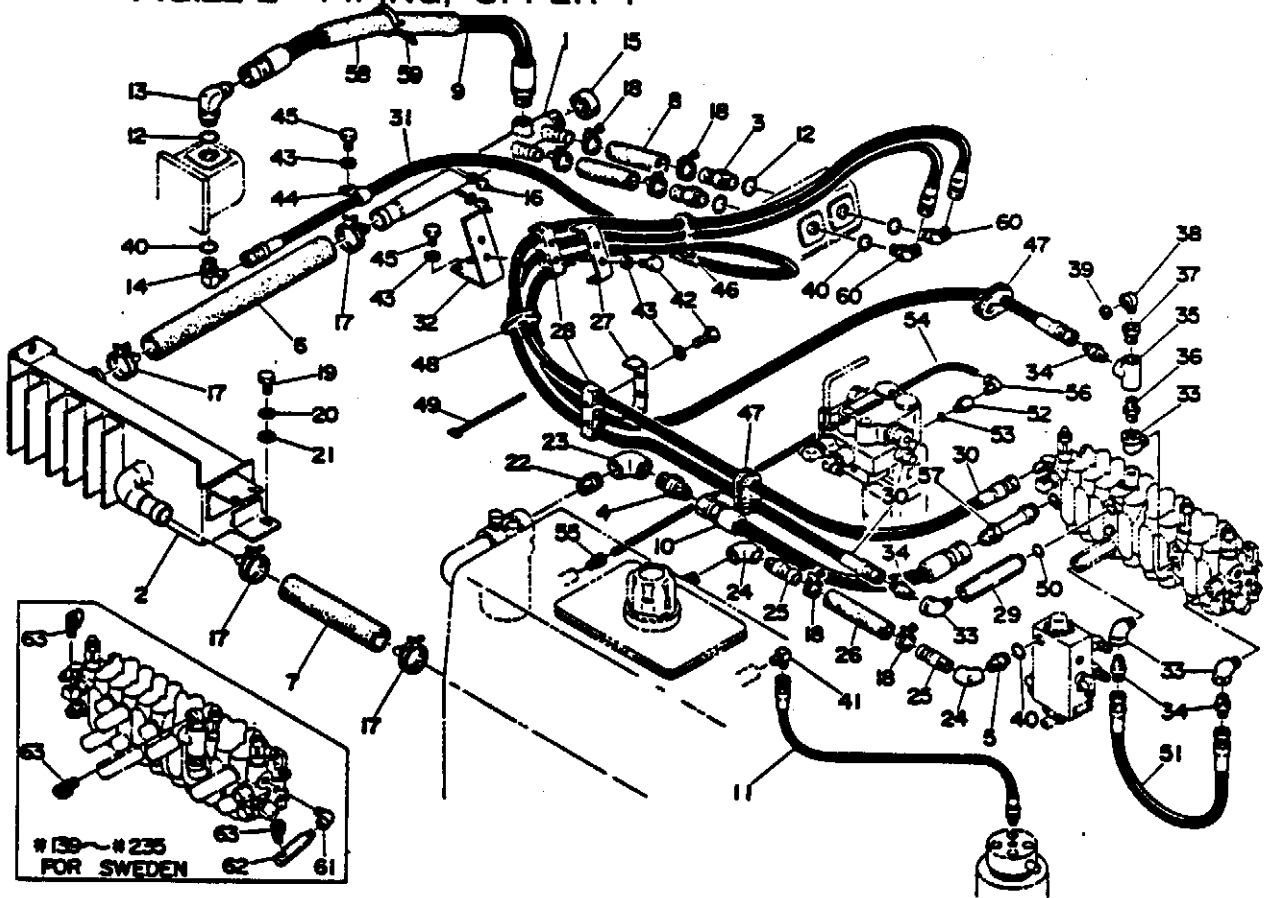
NOTE #139 - for Norway #139 - #235 for Sweden

No. C

NOTE #139 - for Norway #139 - #235 for Sweden

No. J

FIG.22-2 PIPING, UPPER 1

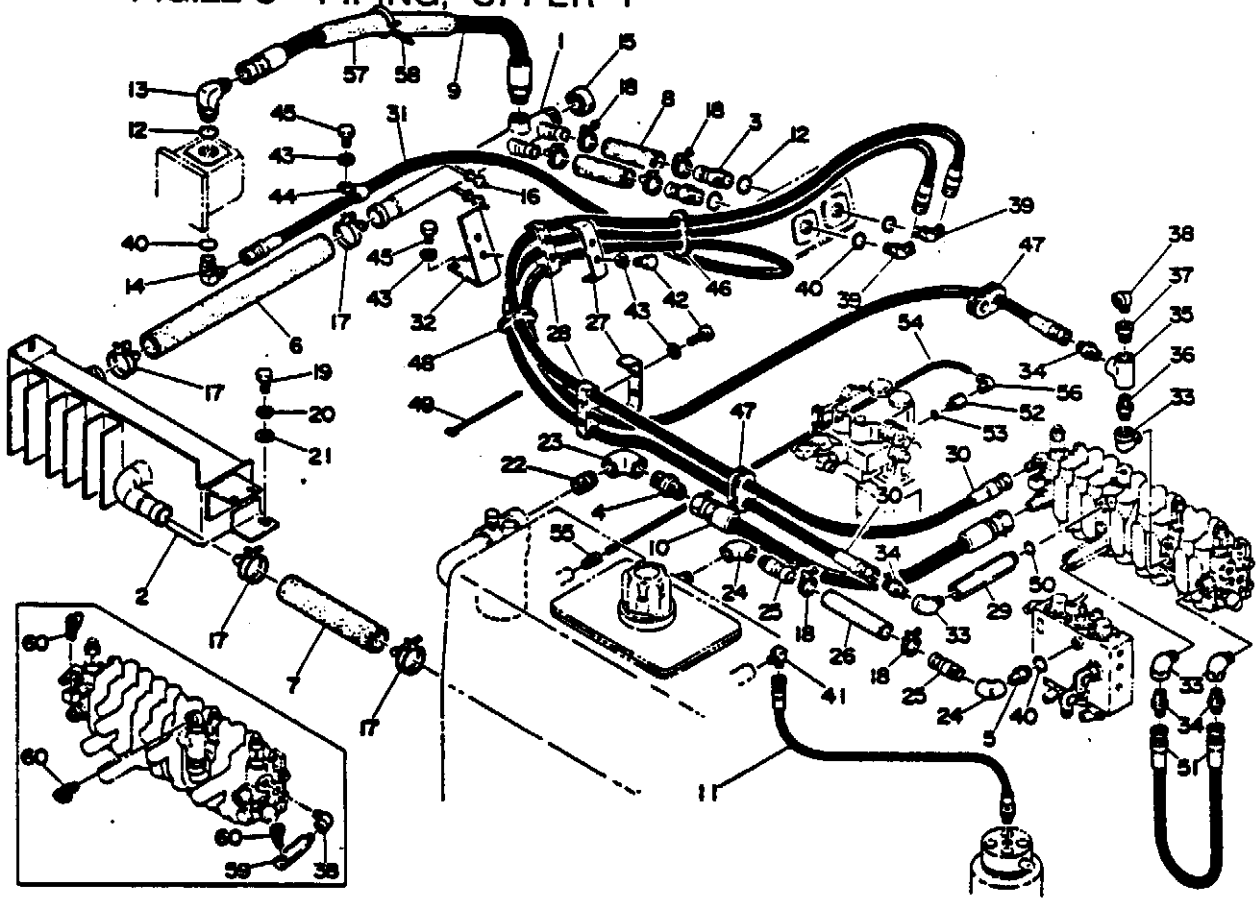


QTY	PARTS NUMBER	DESCRIPTION	QTY	REMARKS
1	19882-12865	NOSE ASSY	1	
1	88978-53288	ADAPTOR	1	
1	14283-18984	O-RING	1	
1	15328-28643	TUBE	1	
1	15325-28681	CONNECTOR	1	
1	15328-28681	ELBOW, 90°	1	
1	81478-59888	ADAPTOR	1	
1	15313-35825	GUARD	1	
1	88873-88821	CLAMP	1	
2	15153-81434	ELBOW, 45°	2	
1	15813-88882	ELBOW, 90°	1	
1	88872-88854	ADAPTOR	1	
3	15134-88812	PORT	3	

NOTE

818 - for Italy 819 - 823 for Sweden

FIG.22-3 PIPING, UPPER 1



Qty	PARTS NUMBER	DESCRIPTION	REMARKS
1	01470-53100	MANIFOLD Inlet	
2	01470-57100	SUB-TANK	
3	00072-00026	ADAPTOR	
4	00072-00053	ADAPTOR	
5	00072-00132	ADAPTOR	
6	15305-41050	HOSE	
7	15305-41024	HOSE	
8	15305-26015	HOSE	
9	19060-19060	HOSE ASSY	
10	19061-19055	HOSE ASSY	
11	19060-00060	HOSE ASSY	
12	14203-10912	O-RING	
13	15152-00533	ELBOW, 90°	
14	15152-00433	ELBOW, 90°	
15	15080-00012	CAP	
16	15332-00012	U-BOLT ASSY	
17	15330-01050	CLAMP	
18	15330-01035	CLAMP	
19	11000-41020	BOLT	
20	11400-20010	WASHER, Spring	
21	00036-12004	WASHER	
22	15130-00010	NIPPLE	
23	15080-00010	ELBOW, 90°	
24	15080-00009	ELBOW, 90°	
25	00059-00003	NIPPLE	

NOTE #25 - for France

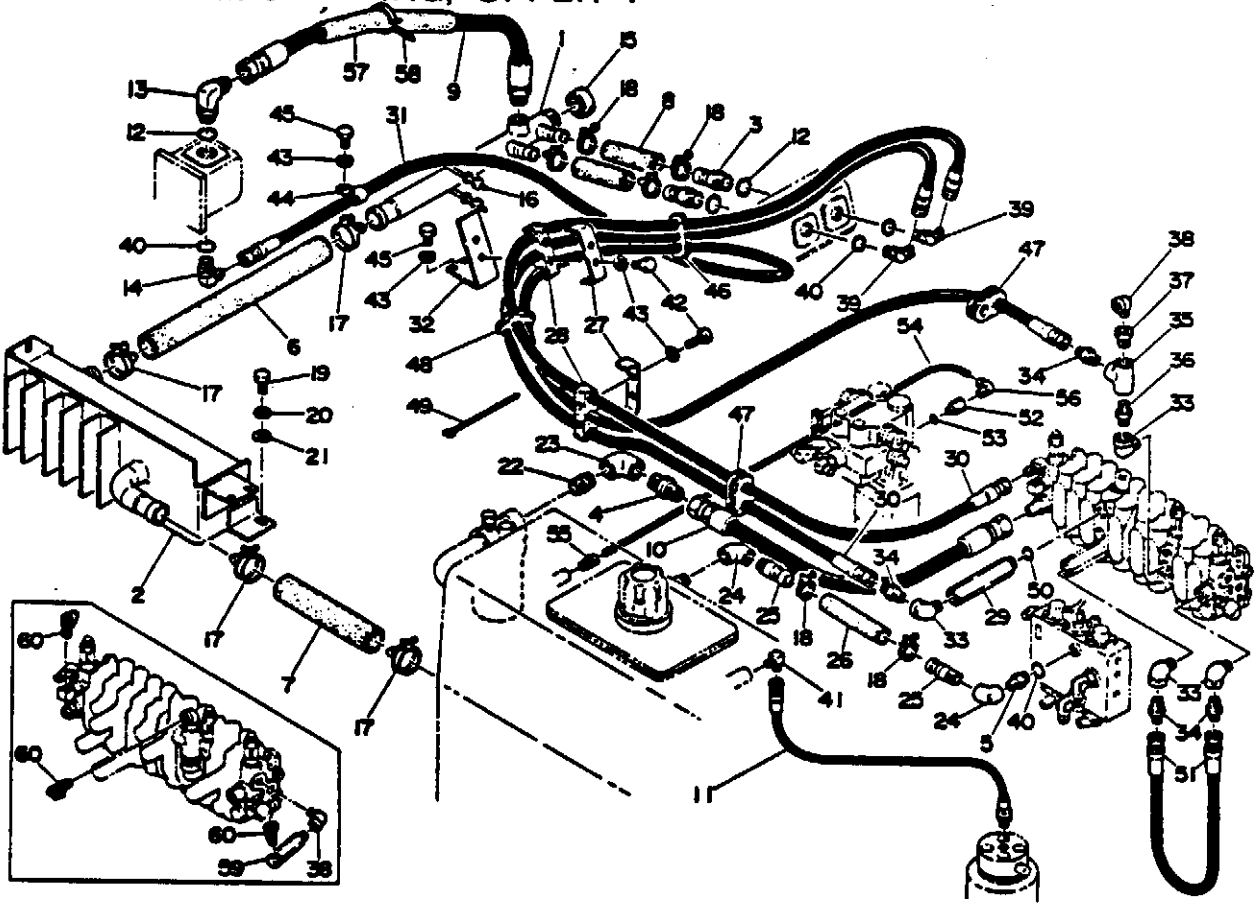
Rev. 2

Qty	PARTS NUMBER	DESCRIPTION	REMARKS
26	15305-26030	HOSE	
27	02270-71100	CLAMP	
28	02270-71300	GUARD	
29	00072-00113	ADAPTOR	
30	19072-12160	HOSE ASSY	
31	19072-12220	HOSE ASSY	
32	01470-56200	BRACKET	
33	15013-00004	ELBOW, 90°	
34	15110-00004	ADAPTOR	
35	15012-00004	TEE	
36	15015-00004	CONNECTOR	
37	15010-00402	BUSHING	
38	15013-00002	ELBOW, 90°	
39	15153-01434	ELBOW, 45°	
40	14203-10910	O-RING	
41	15111-00002	ADAPTOR	
42	11000-40845	BOLT	
43	11400-20000	WASHER, Spring	
44	00073-00002	CLAMP	
45	11000-40816	BOLT	
46	00970-22400	GUARD	
47	00972-10300	GUARD	
48	02572-01100	GUARD	
49	16522-00005	BAND	
50	14203-1090F	O-RING	

NOTE #26 - for France

Rev. 3

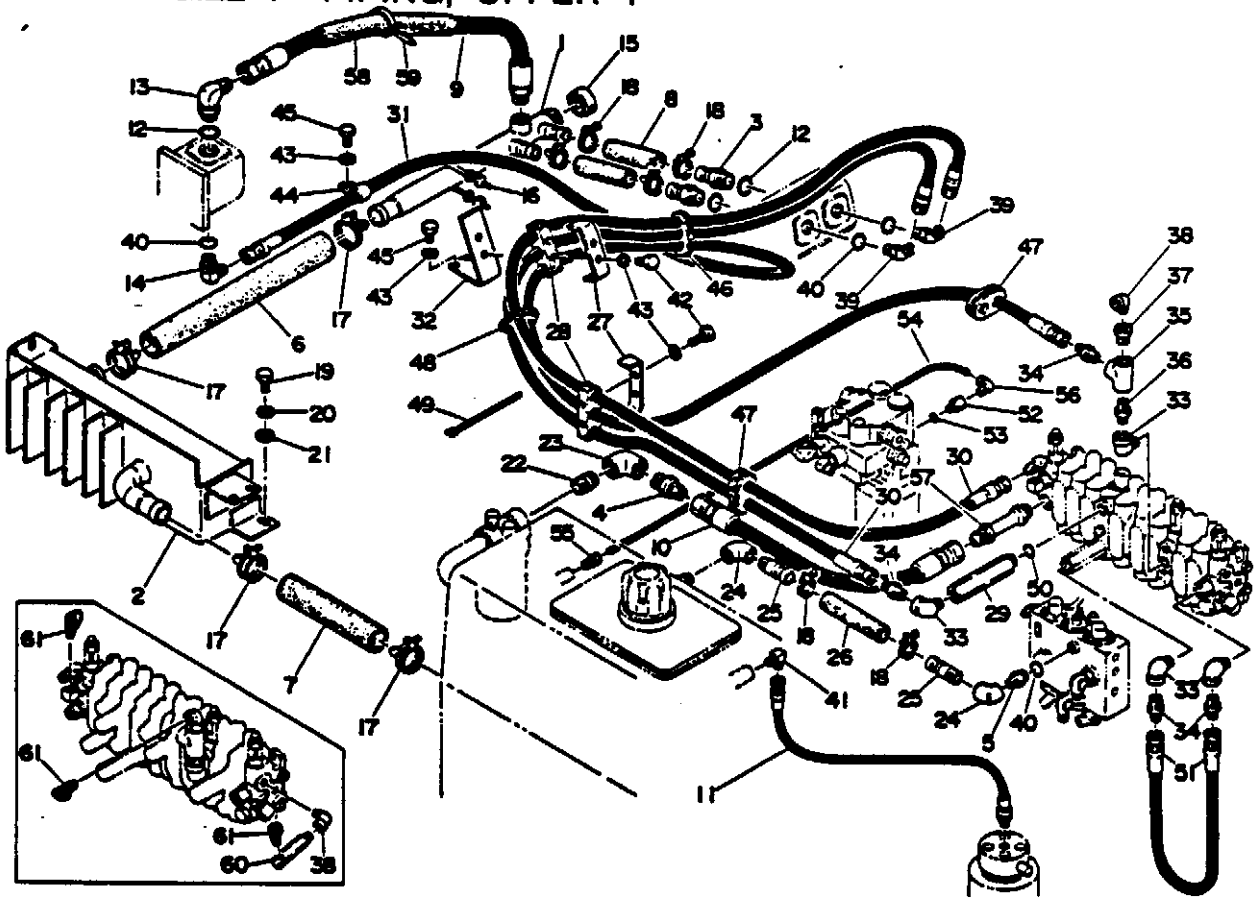
FIG.22-3 PIPING, UPPER 1



PARTS NUMBER	DESCRIPTION	QTY	REMARKS
1 19082-12068	HOSE ASSY	1	
2 00970-53200	ADAPTOR	1	
3 14203-10904	O-RING	1	
4 15320-20643	TUBE	1	
5 15325-20601	CONNECTOR	1	
6 15336-20601	ELBOW 90°	1	
7 15313-35025	GUARD	1	
8 00073-00021	CLAMP	1	
9 00072-00054	ADAPTOR	1	
10 15134-00012	PORT	3	

NOTE  
 028 - for Press

FIG.22-4 PIPING, UPPER 1



Qty	PARTS NUMBER	DESCRIPTION	REMARKS	Qty	PARTS NUMBER	DESCRIPTION	REMARKS
1	01470-53100	MANIFOLD, Inlet	1	25	15305-26030	HOSE	1
2	01470-57100	SUB-TANK	1	27	02270-71100	CLAMP	2
3	00072-00020	ADAPTOR	2	28	02270-71300	GUARD	2
4	00072-00053	ADAPTOR	1	29	00072-00113	ADAPTOR	1
5	00072-00122	ADAPTOR	1	30	19070-24100	HOSE ASSY	2
6	15305-41050	HOSE	1	31	19070-24220	HOSE ASSY	1
7	15305-41024	HOSE	1	32	01470-56200	BRACKET	1
8	15305-26015	HOSE	2	33	15013-00004	ELBOW, 90°	4
9	19000-00000	HOSE ASSY	1	34	15110-00004	ADAPTOR	4
10	19000-10040	HOSE ASSY	1	35	15012-00004	TEE	1
11	19000-02000	HOSE ASSY	1	36	15013-00004	CONNECTOR	1
12	14203-10012	O-RING	3	37	15016-00402	BUSHING	1
13	15132-00533	ELBOW, 90°	1	38	15013-00002	ELBOW	2
14	15132-00433	ELBOW, 90°	1	39	15133-01434	ELBOW, 45°	2
15	15006-00012	CAP	1	40	14203-10010	O-RING	4
16	15332-00012	U-BOLT ASSY	1	41	15111-00002	ADAPTOR	1
17	15330-01055	CLAMP	4	42	11000-40045	BOLT	4
18	15330-01035	CLAMP	6	43	11400-20000	WASHER, Spring	6
19	11000-41020	BOLT	3	44	00073-00002	CLAMP	2
20	11400-20010	WASHER, Spring	5	45	11000-40016	BOLT	4
21	00036-12004	WASHER	5	46	00970-02400	GUARD	1
22	15130-00010	NIPPLE	1	47	00972-10300	GUARD	2
23	15000-00010	ELBOW, 90°	1	48	02572-01100	GUARD	1
24	15000-00009	ELBOW, 90°	2	49	16522-00005	BAND	4
25	00009-00003	NIPPLE	2	50	14203-10008	O-RING	1

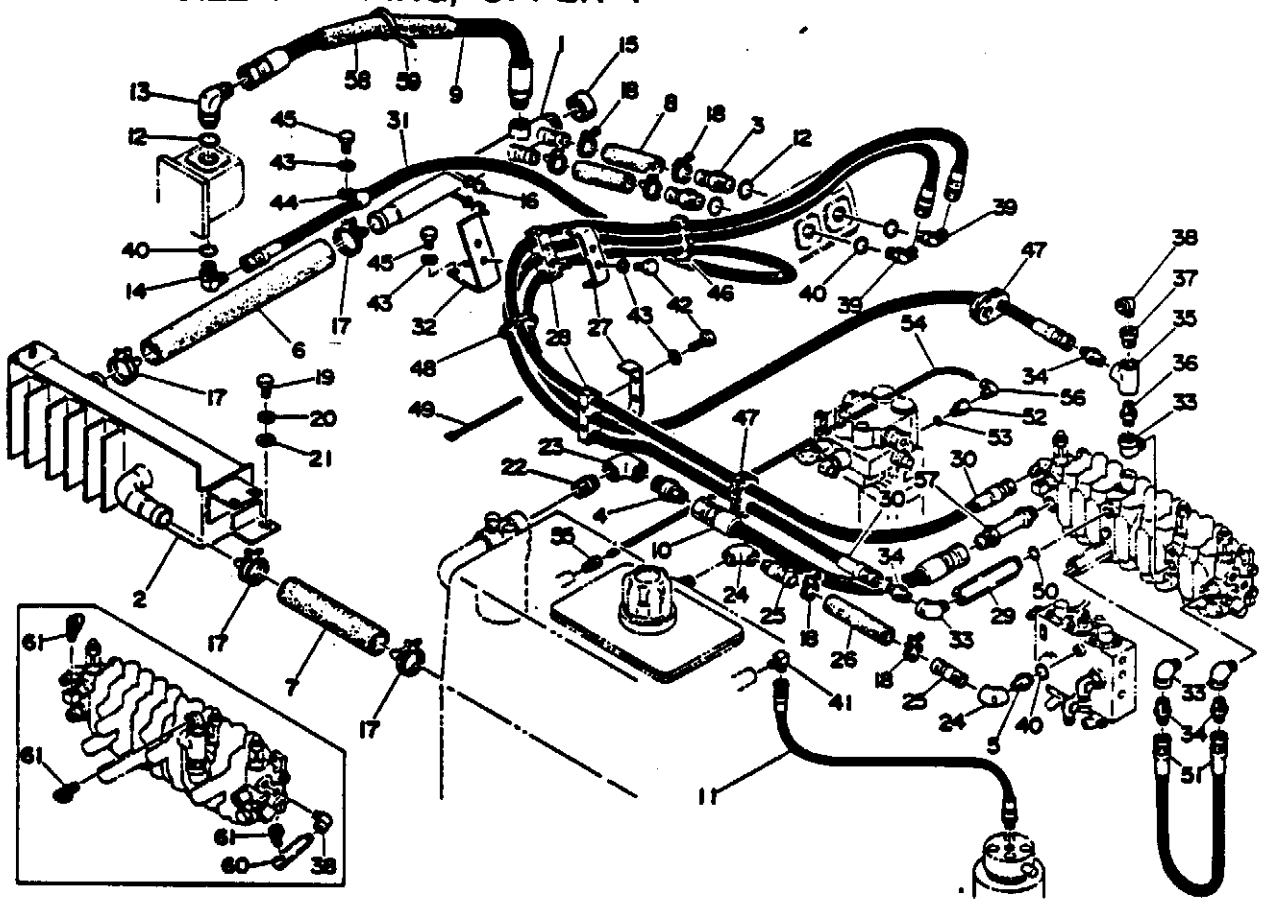
NOTE SEE - for Scales

Rev. 0

NOTE SEE - for Scales

Rev. 3

FIG.22-4 PIPING, UPPER 1



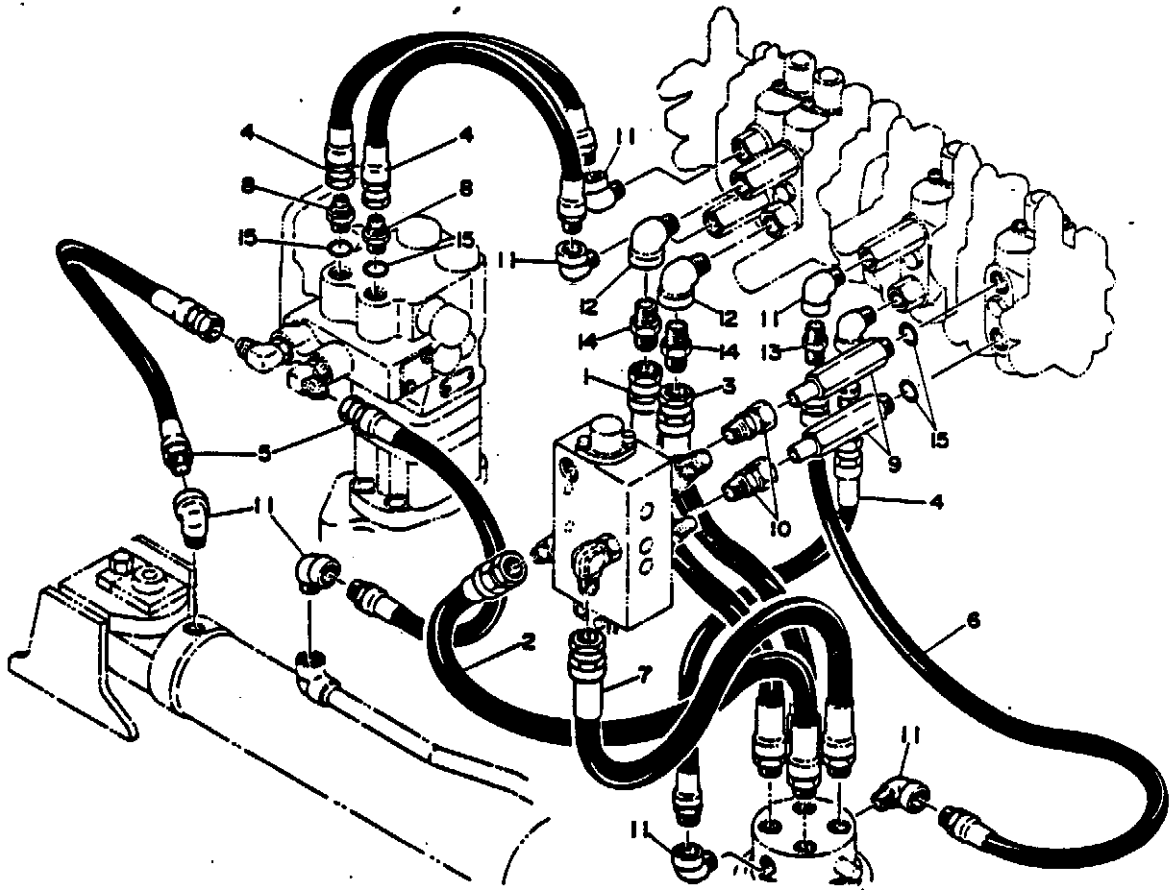
PARTS NUMBER	DESCRIPTION	QTY	REMARKS
19085-24063	NOSE ASSY	1	
88978-53288	ADAPTOR	1	
14283-18984	O-RING	1	
15326-28645	TUBE	1	
15325-28681	CONNECTOR	1	
15326-28681	ELBOW, 90°	1	
81478-59888	ADAPTOR	1	
15313-35625	GUARD	1	
88673-88821	CLAMP	1	
88872-88854	ADAPTOR	1	
15134-88812	PORT	3	

NOTE

#25 - for Smoke



FIG.23-1 PIPING, UPPER 2

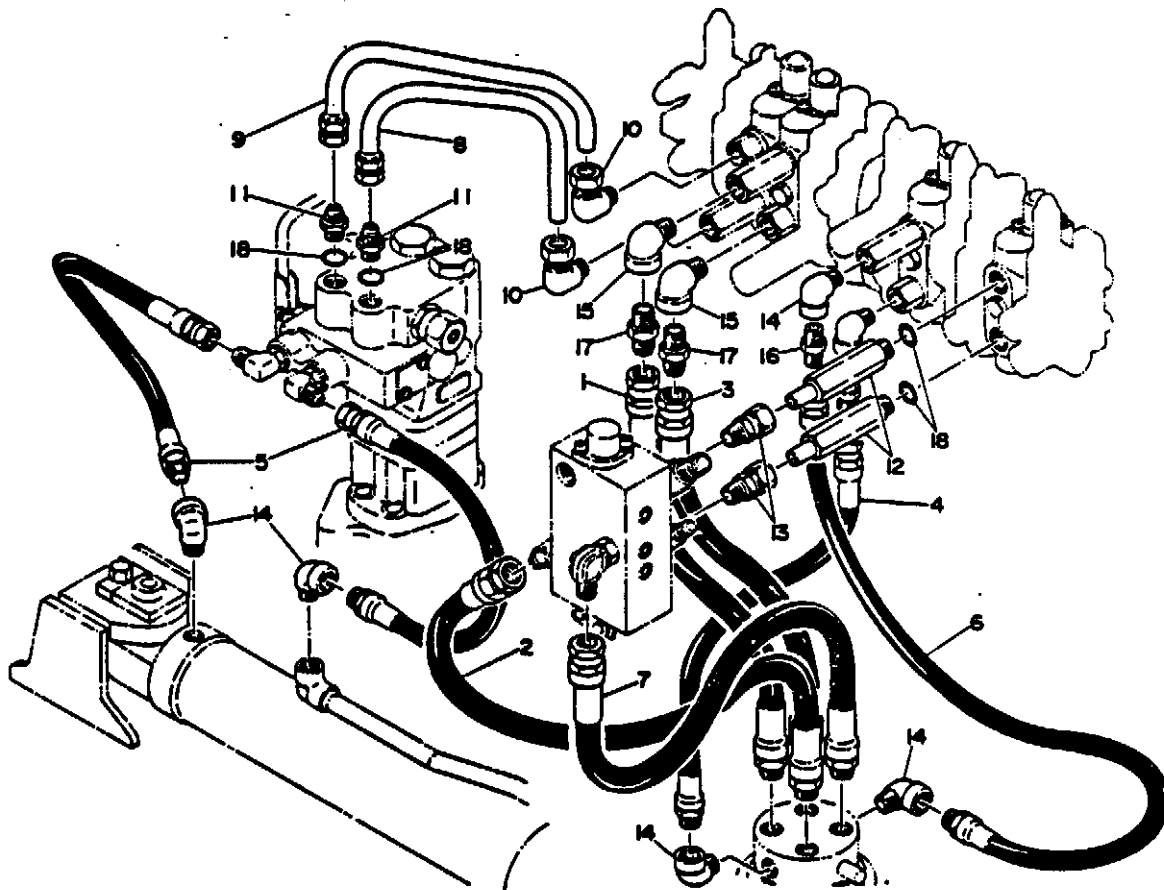


Qty	PARTS NUMBER	DESCRIPTION	Qty	REMARKS
1	19080-12045	HOSE ASSY	1	
2	19080-12060	HOSE ASSY	1	
3	19080-12040	HOSE ASSY	1	
4	19080-09040	HOSE ASSY	3	
5	19080-09045	HOSE ASSY	2	
6	19080-09065	HOSE ASSY	1	
7	19080-12065	HOSE ASSY	1	
8	00072-00040	ADAPTOR	2	
9	00072-00145	ADAPTOR	2	
10	15021-01503	ADAPTOR	2	
11	15013-00003	ELBOW 90°	8	
12	15013-00004	ELBOW 90°	2	
13	15110-00003	ADAPTOR	2	
14	15110-00004	ADAPTOR	2	
15	14203-10000	O-RING	4	

NOTE

0100 - for England, Singapore, Spain, & U.S.A.  
 0120 - 0125 for France

FIG.23-2 PIPING, UPPER 2

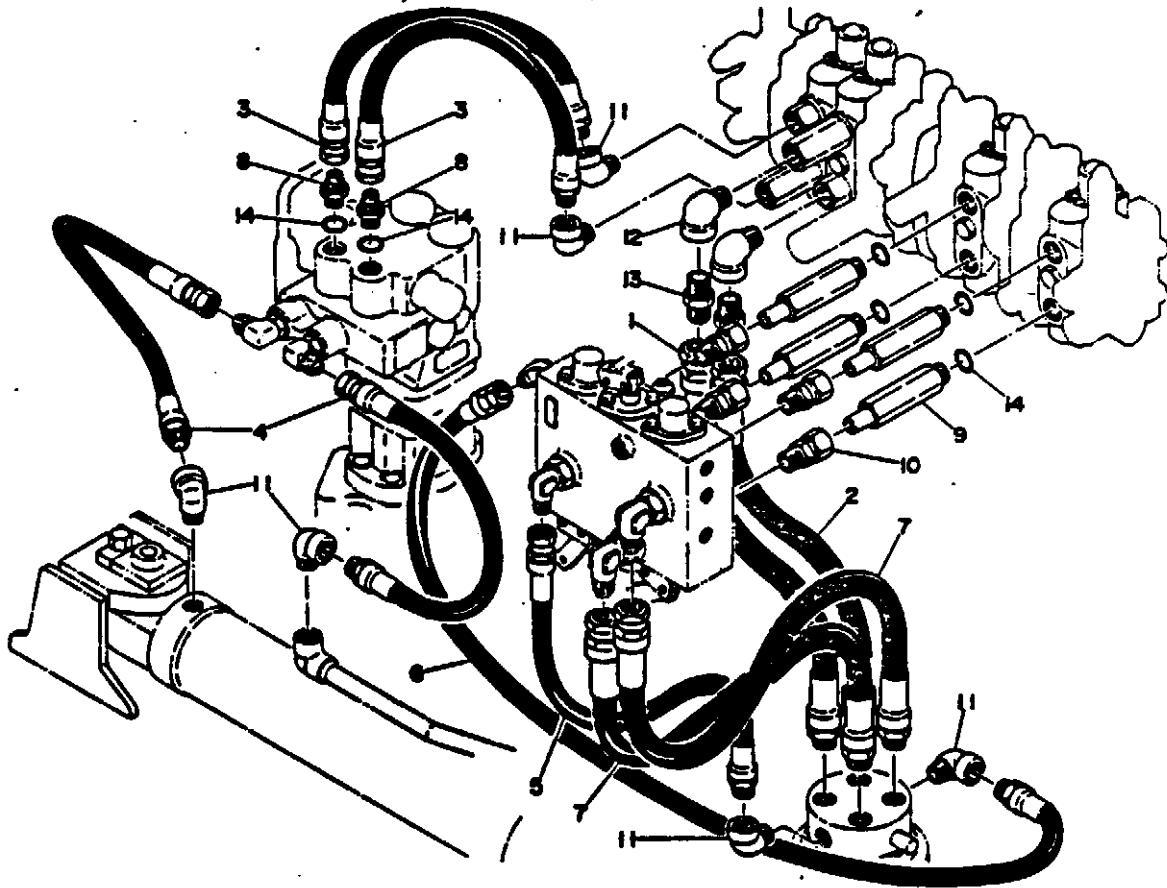


QTY	PARTS NUMBER	DESCRIPTION	QTY	REMARKS
1	19000-12043	HOSE ASSY	1	
2	19000-12060	HOSE ASSY	1	
3	19000-12040	HOSE ASSY	1	
4	19000-09040	HOSE ASSY	1	
5	19000-09043	HOSE ASSY	2	
6	19000-09065	HOSE ASSY	1	
7	19000-04065	HOSE ASSY	1	
8	01470-55000	PIPE	1	
9	01470-55700	PIPE	1	
10	15023-01503	ELBOW, 90°	2	
11	00072-00046	ADAPTOR	2	
12	00072-00145	ADAPTOR	2	
13	15021-01503	ADAPTOR	2	
14	15013-00003	ELBOW, 90°	6	
15	15013-00004	ELBOW, 90°	2	
16	15110-00003	ADAPTOR	2	
17	15110-00004	ADAPTOR	2	
18	14203-10900	O-RING	4	

NOTE

0100 - for Army  
 0120 - 020 for Sustain

FIG.23-3 PIPING, UPPER 2



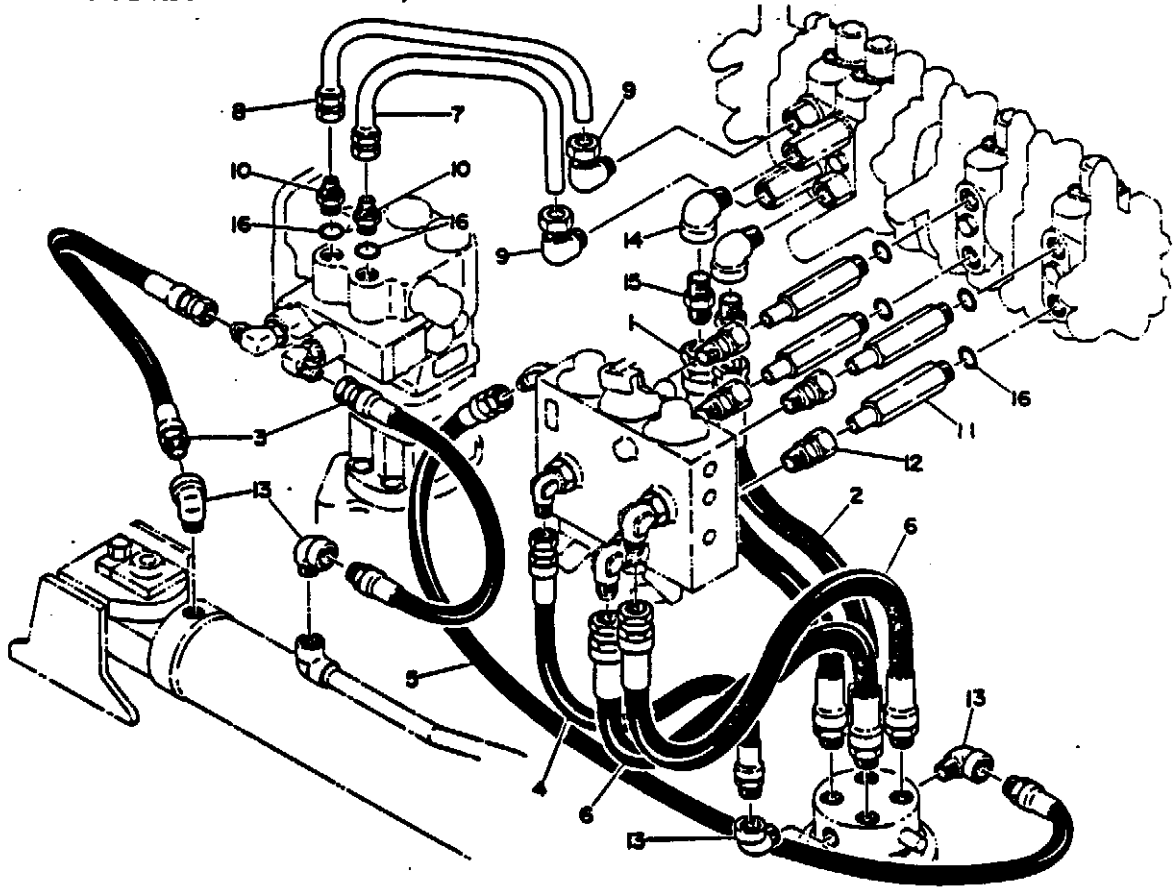
QTY	PARTS NUMBER	DESCRIPTION	REMARKS
1	19080-12043	HOSE ASSY	1
2	19080-12040	HOSE ASSY	1
2	19080-09040	HOSE ASSY	2
4	19080-09045	HOSE ASSY	2
1	19080-09055	HOSE ASSY	1
1	19080-09075	HOSE ASSY	1
2	19080-12065	HOSE ASSY	2
2	00072-00040	ADAPTOR	2
4	00072-00145	ADAPTOR	4
4	15021-01503	ADAPTOR	4
6	15013-00003	ELBOW 90°	6
2	15013-00004	ELBOW 90°	2
2	15110-00004	ADAPTOR	2
1	14203-10000	O-RING	1

NOTE

SEE - Air Frame

51

FIG.23-4 PIPING, UPPER 2

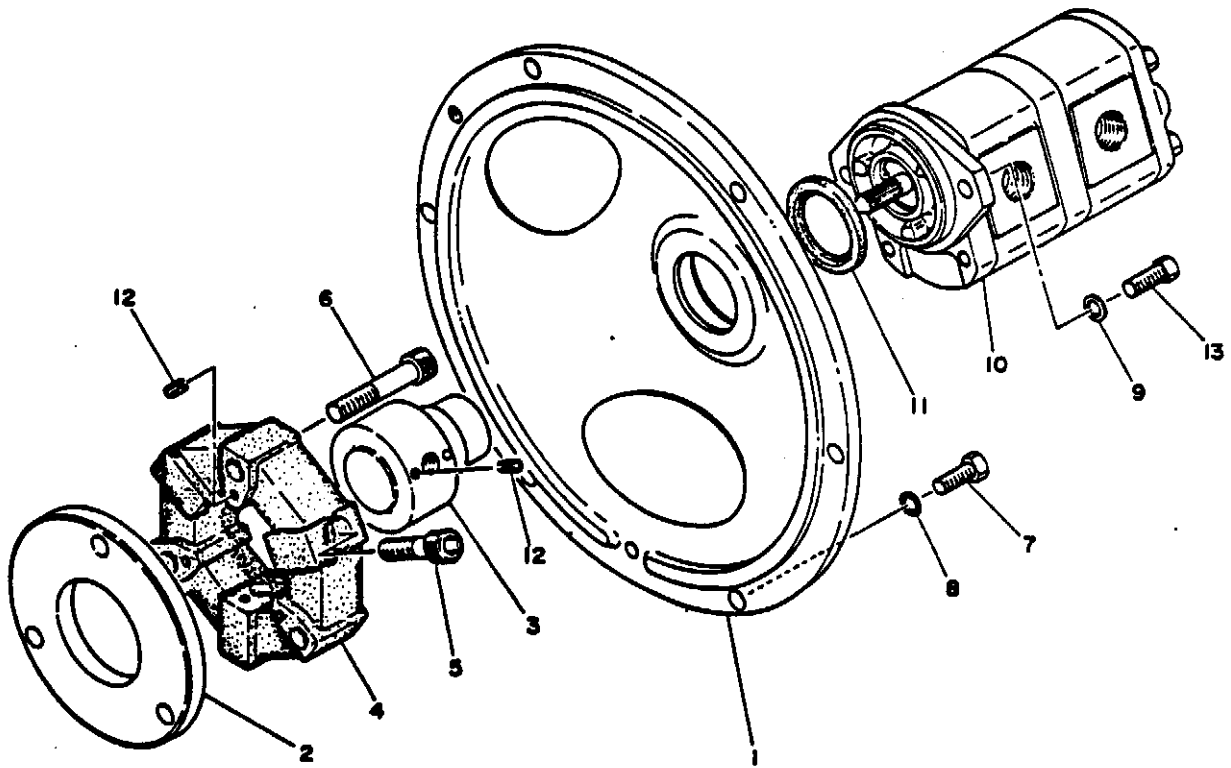


Qty	PARTS NUMBER	DESCRIPTION	Qty	REMARKS
1	19000-04045	HOSE ASSY	1	
2	19000-04040	HOSE ASSY	1	
3	19000-03045	HOSE ASSY	2	
4	19000-03055	HOSE ASSY	1	
5	19000-03075	HOSE ASSY	1	
6	19000-04075	HOSE ASSY	2	
7	01470-59600	PIPE	1	
8	01470-59700	PIPE	1	
9	15023-01503	ELBOW 90°	2	
10	00072-00946	ADAPTOR	2	
11	00072-00145	ADAPTOR	4	
12	15021-01503	ADAPTOR	4	
13	15013-00003	ELBOW 90°	4	
14	15013-00004	ELBOW 90°	2	
15	15110-00004	ADAPTOR	2	
16	14203-10000	O-RING	6	

NOTE

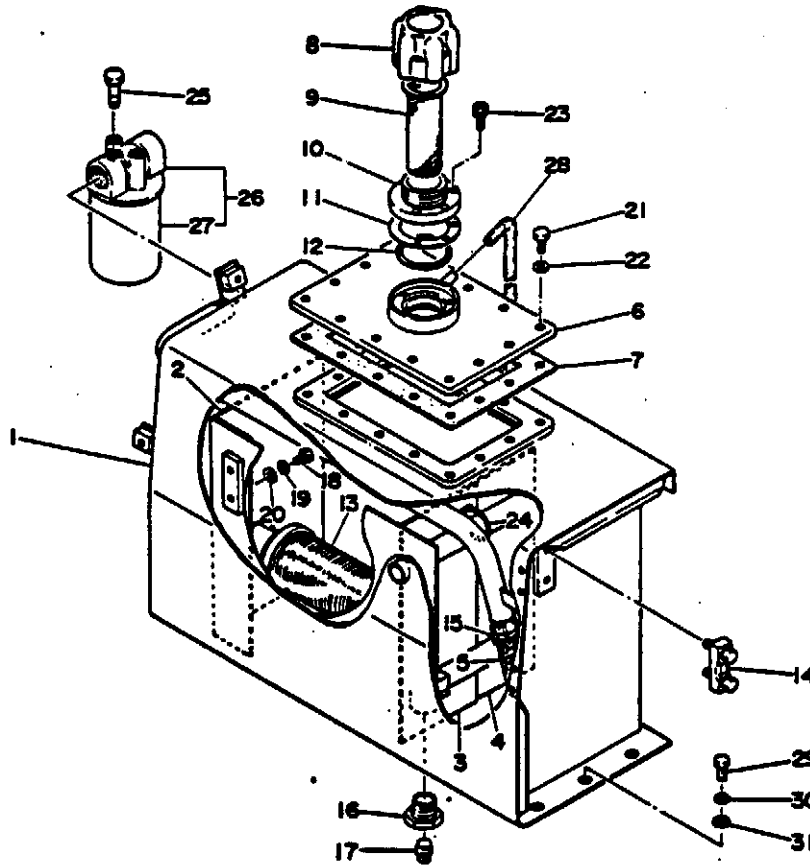
SEE - for limits

FIG.24 PUMP DRIVE



QTY	PARTS NUMBER	DESCRIPTION	QTY	REMARKS
1	01452-51100	HOUSING, Engine	1	
1	01452-51200	FLANGE	1	
1	02352-01200	COUPLING	1	
1	10020-00100	COUPLING	1	
3	11100-51250	BOLT, Socket	3	
3	11100-51205	BOLT, Socket	3	
3	11000-41025	BOLT	3	
3	11400-10010	WASHER, Spring	3	
2	11411-10010	WASHER, Plain	2	
1	19020-04100	PUMP ASSY, Male	1	0127 ~
1	14004-02302	SEAL, Oil	1	
3	12130-00510	PIN, Spring	3	
2	11030-41025	BOLT	2	

FIG.25 HYDRAULIC TANK



QTY	PARTS NUMBER	DESCRIPTION	QTY	REMARKS	QTY	PARTS NUMBER	DESCRIPTION	QTY	REMARKS
01	01480-80040	TANK ASSY. Hyd.	1		28	15322-00010	U-BOLT	1	
1	01480-58100	TANK Hyd.	1		29	15087-00001	PLUG	1	
2	01480-55300	PLATE Baffle	1		29	15510-45110	FILTER ASSY	1	
3	01480-55300	PLATE Baffle	1		27	15510-35110	CARTRIDGE	1	
4	01480-55400	PLATE Baffle	1		28	15311-14100	HOSE	1	
5	01000-05000	DIFFUSER	1		29	11000-41025	BOLT	6	
6	01300-10200	COVER	1		29	11400-10010	WASHER Spring	6	
7	01000-05200	PACKING	1		30	00036-12004	WASHER	6	
03	15520-10301	BREATHER ASSY. Air	1						
8	15520-01301	CAP	1						
9	15520-02301	STRAINER	1						
10	15520-13301	FLANGE	1						
11	15520-14301	PACING	1						
12	14204-02043	O-RING	1						
13	15500-00012	FILTER	1						
14	15530-20050	GAUGE	1						
15	15330-01030	CLAMP	1						
16	15000-01003	ADAPTOR	1						
17	15087-00003	PLUG	1						
18	11000-41025	BOLT	2						
19	11400-10010	WASHER Spring	2						
20	00036-12004	WASHER	2						
21	11000-20014	BOLT	10						
22	11411-10000	WASHER Plain	10						
23	11100-50510	BOLT Socket	4						

NOTE

SEE-

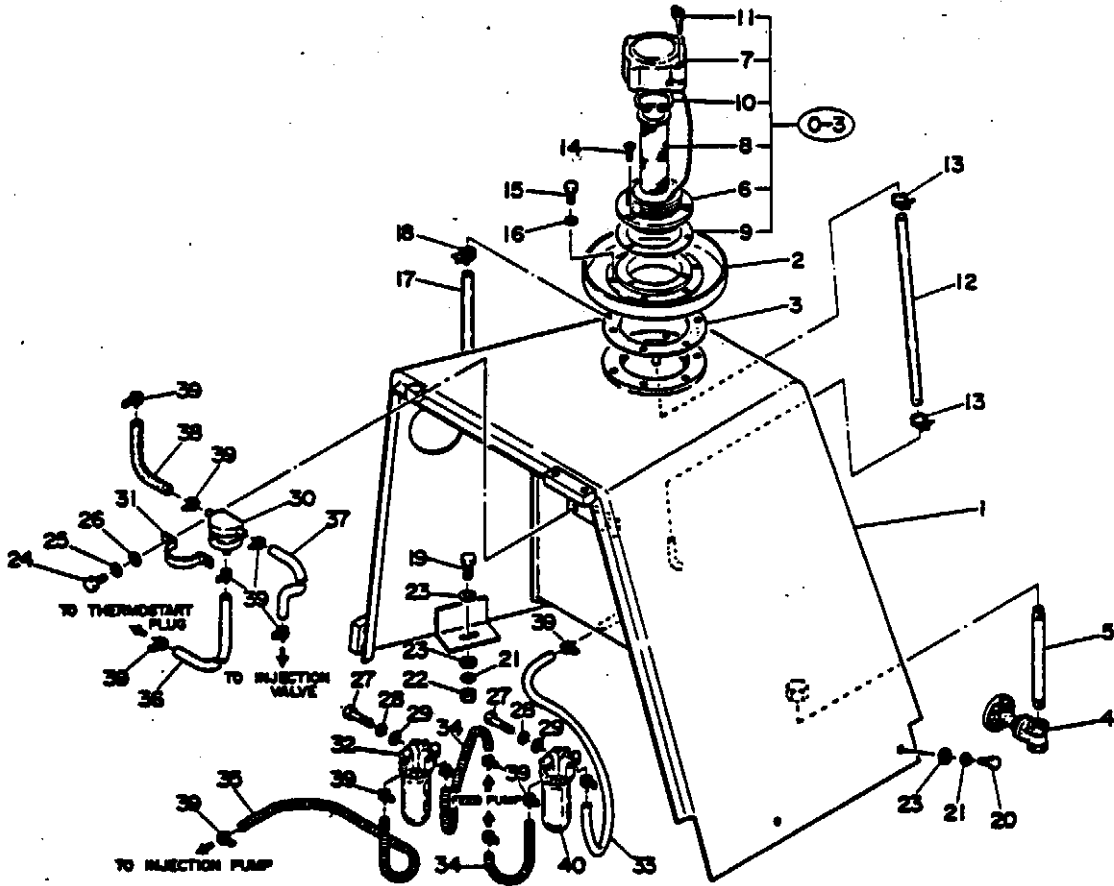
NOTE

SEE-

SEE-

SEE-

FIG.26 FUEL TANK



QTY	PARTS NUMBER	DESCRIPTION	QTY	REMARKS	QTY	PARTS NUMBER	DESCRIPTION	QTY	REMARKS
1	01401-00020	TANK ASSY. Fuel	1	NS-	2	11300-40010	NUT	1	
1	01401-00020	TANK ASSY. Fuel	1	NS-NS	2	00035-12004	WASHER	4	
1	01401-50100	*TANK, Fuel	1	NS-	2	11000-20010	BOLT	2	
1	01401-50100	*TANK, Fuel	1	NS-NS	2	11400-20000	WASHER, Spring	2	
2	02501-00200	*COVER	1		2	11411-10000	WASHER, Plain	2	
1	01001-00300	*PACKING	1		2	11000-20000	BOLT	2	
1	15200-00003	*VALVE, Gate	1		2	11400-20000	WASHER, Spring	2	
1	00001-02170	*PIPE	1		2	11411-10000	WASHER, Plain	2	
1	15521-20000	*BREATHER ASSY. Air	1		2	00000-00000	TANK Header	1	Y12720-7700
1	15521-20001	*FLANGE	1		2	00000-00000	CLAMP	1	Y12400-7700
1	15521-20002	*CAP	1		2	00000-00000	FILTER	1	Y12007-5000
1	15521-20003	*STRAINER	1		2	00000-00000	HOSE	1	Y12000-5000
1	15521-20007	*PACKING	1		2	00000-00000	HOSE	2	Y12000-5000
1	15521-20008	*RING, Snap	1		2	00000-00000	HOSE	1	Y12070-5000
1	15521-20012	*KEY	1		2	00000-00000	HOSE	1	Y12000-7710
1	15310-15005	*HOSE	1		2	00000-00000	HOSE	1	Y12400-5070
2	15330-01015	*CLAMP	2		2	00000-00000	HOSE	1	Y12000-7710
3	11200-30012	*SCREW, Flat Head	3		2	15330-01012	CLAMP	2	
5	11000-20010	*BOLT	5		2	00000-00000	SEPARATOR	1	Y12000-5700
6	11411-10000	*WASHER, Plain	6						
1	15310-14000	HOSE	1						
1	15330-01015	CLAMP	1						
1	11000-51030	BOLT	1						
2	11000-51020	BOLT	2						
3	11400-20010	WASHER, Spring	3						

NOTE 25-

25-

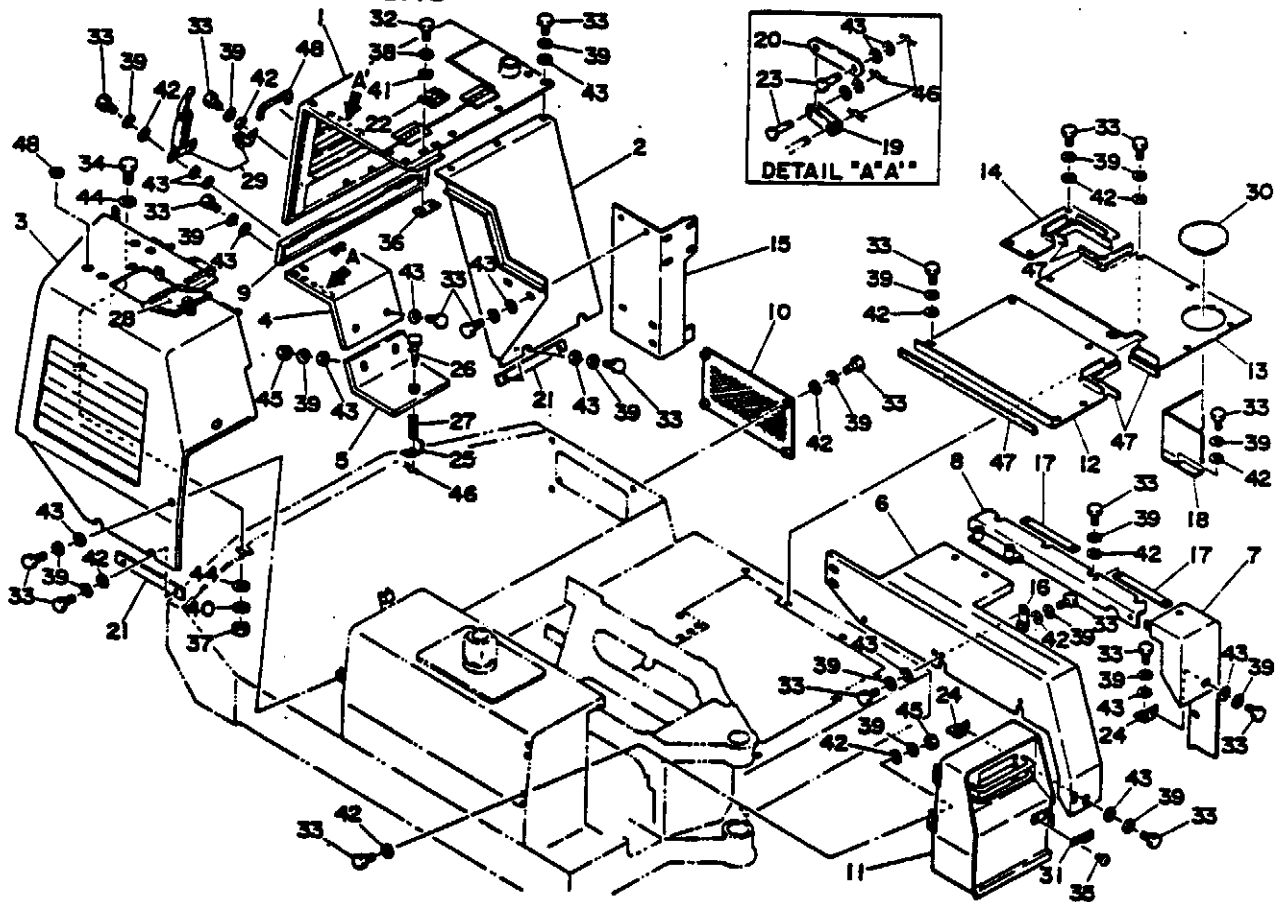
NOTE

25-

25-

6

FIG.27 COVERS

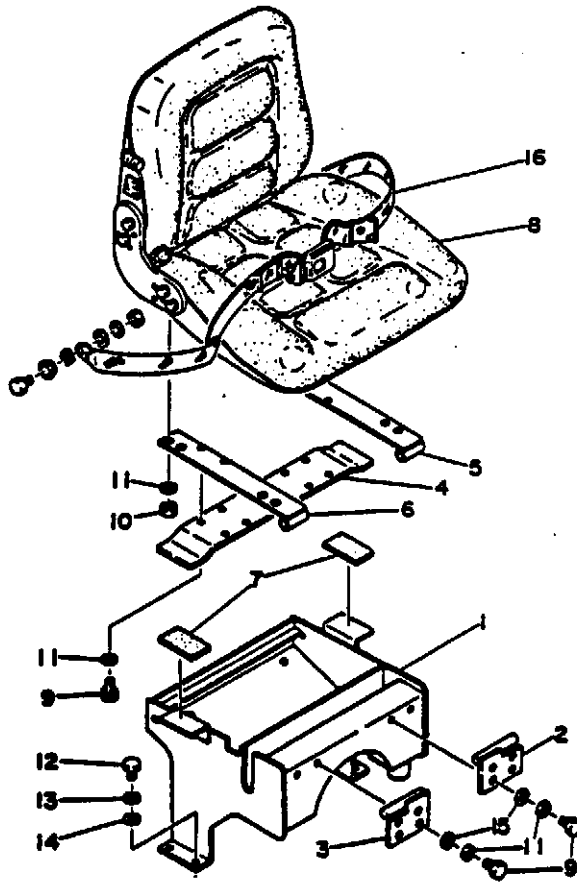


QTY	PARTS NUMBER	DESCRIPTION	REMARKS	QTY	PARTS NUMBER	DESCRIPTION	REMARKS
1	01482-65100	COVER, Engine		1	26	00682-11900	KNOB
2	01482-60200	COVER, Engine (P)		1	27	00070-00023	SPRING
3	01482-60300	COVER, Rear Side		1	28	01482-61600	PLATE, Rubber
4	01482-60400	COVER		2	29	16537-00100	CATCH, Bussel
5	01482-60500	COVER		1	30	16539-00003	COVER
6	01482-60600	COVER, Center		1	31	16533-15200	CLIP
7	01482-60700	COVER, Valve (A)		2	32	11000-4061E	BOLT
8	01482-60800	COVER, Valve (B)		2	33	11000-40820	BOLT
9	01482-60900	GUIDE, Cover		1	34	11000-41030	BOLT
10	01482-57800	PLATE, Side		2	35	11205-7051C	SCREW, Pan Head
11	01482-61100	COVER, Battery		4	36	01482-53900	PLATE
12	01482-61200	PLATE, Stage (A)		1	37	11300-40010	NUT
13	01482-61300	PLATE, Stage (B)		8	38	11400-20006	WASHER, Spring
14	01482-61400	PLATE, Stage (C)		2	39	11400-20008	WASHER, Spring
15	01482-61500	COVER, Stand		1	40	11400-20010	WASHER, Spring
16	01842-61600	BRACKET		1	41	11411-10006	WASHER, Plain
17	01842-61700	PLATE		2	42	11411-10008	WASHER, Plain
18	01842-58600	PLATE, Baffle		2	43	00036-0825C	WASHER
19	01482-55100	LINK		2	44	00036-00006	WASHER
20	01482-55200	LINK		1	45	11300-40008	NUT
21	01382-00200	PLATE		1	46	10140-20006	PIN, Soap
22	01482-58700	HINGE		1	47	10245-20000	RLBEEK
23	00040-08018	PIN		1	48	16720-81000	GROMMET
24	01482-59400	ANGLE					
25	01182-23800	CLAMP					

NOTE

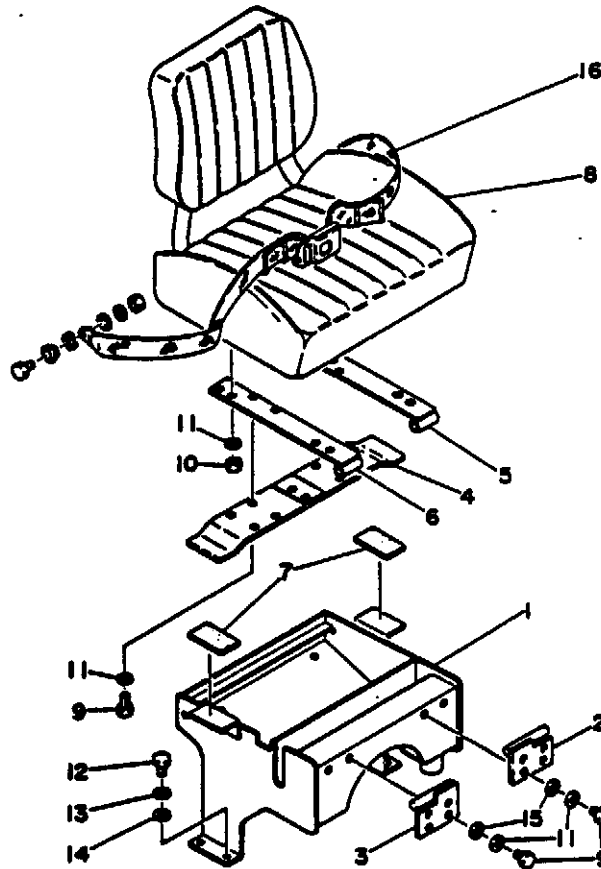


FIG.28-1 SEAT



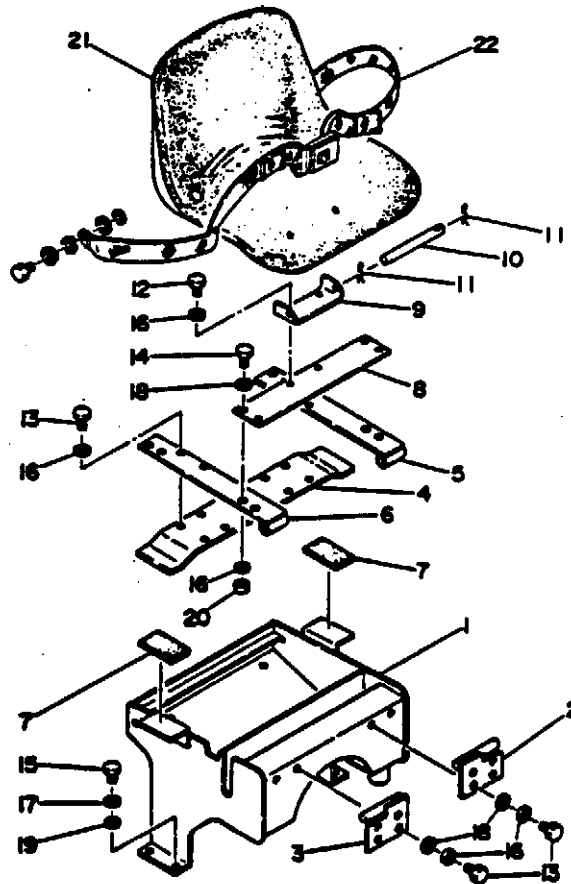
QTY	PARTS NUMBER	DESCRIPTION	QTY	REMARKS
1	01434-06100	BRACKET	1	#21-
1	01434-06200	PLATE (R. H)	1	#21-
1	01434-06300	PLATE (L. H)	1	#21-
1	01434-06400	PLATE	1	#21-
1	01434-03200	HINGE (R. H)	1	
1	01434-03300	HINGE (L. H)	1	
2	01434-03700	PLATE, Rubber	2	
1	19141-00010	SEAT	1	
8	11000-40020	BOLT	8	
4	11300-40000	NUT	4	
12	11400-20000	WASHER, Spring	12	
4	11000-41020	BOLT	4	
4	11400-20010	WASHER, Spring	4	
4	11411-10000	WASHER, Plate	4	
4	11411-10000	WASHER, Plate	4	
1	19141-00003	BELT ASSY. Seat	1	

FIG.28-2 SEAT



Qty	PARTS NUMBER	DESCRIPTION	Qty	REMARKS
1	01434-05100	BRACKET	1	#21~
2	01434-06200	PLATE (R. H)	1	#21~
3	01434-06300	PLATE (L. H)	1	#21~
4	01434-06400	PLATE	1	#21~
5	01434-03200	HINGE (R. H)	1	
6	01434-03300	HINGE (L. H)	1	
7	01434-03700	PLATE, Rubber	2	
8	19141-00003	SEAT	1	
9	11000-40820	BOLT	8	
10	11300-40000	NUT	4	
11	11400-20000	WASHER, Spring	12	
12	11000-41020	BOLT	4	
13	11400-20010	WASHER, Spring	4	
14	11411-10000	WASHER, Plain	4	
15	11411-10000	WASHER, Plain	4	
16	19141-00003	BELT ASSY, Seat	1	

FIG.28-3 SEAT

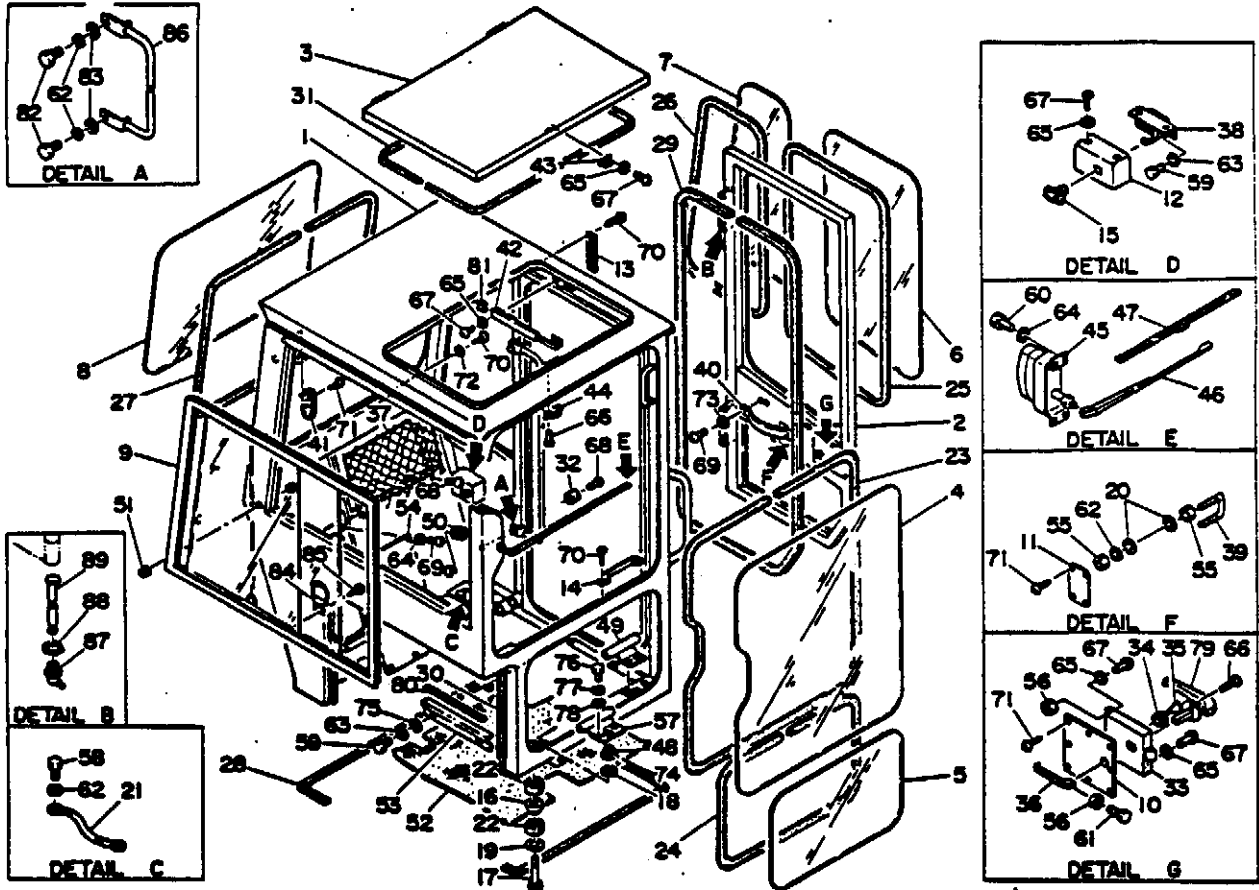


Qty	PARTS NUMBER	DESCRIPTION	Q'ty	REMARKS
	1	01434-06100 BRACKET	1	
	2	01434-06200 HINGE (R. H)	1	
	3	01434-06300 HINGE (L. H)	1	
	4	01434-06400 PLATE	1	
	5	01434-03200 PLATE (R. H)	1	
	6	01434-03300 PLATE (L. H)	1	
	7	01434-03700 PLATE, Rubber	2	
	8	01434-08100 PLATE	1	
	9	00934-10100 BRACKET	1	
	10	00934-20200 PIN	1	
	11	12140-00000 PIN, Snap	2	
	12	11000-40815 BOLT	2	
	13	11000-40820 BOLT	8	
	14	11000-40825 BOLT	4	
	15	11000-41020 BOLT	4	
	16	11400-20000 WASHER, Spring	16	
	17	11400-20010 WASHER, Spring	4	
	18	11411-10000 WASHER, Plain	8	
	19	11411-10010 WASHER, Plain	4	
	20	11300-40000 NUT	4	
	21	19141-00001 SEAT ASSY	1	
	22	19141-00003 BELT ASSY, Seat	1	

NOTE

\* 028 - for 5000

FIG.29 CABIN

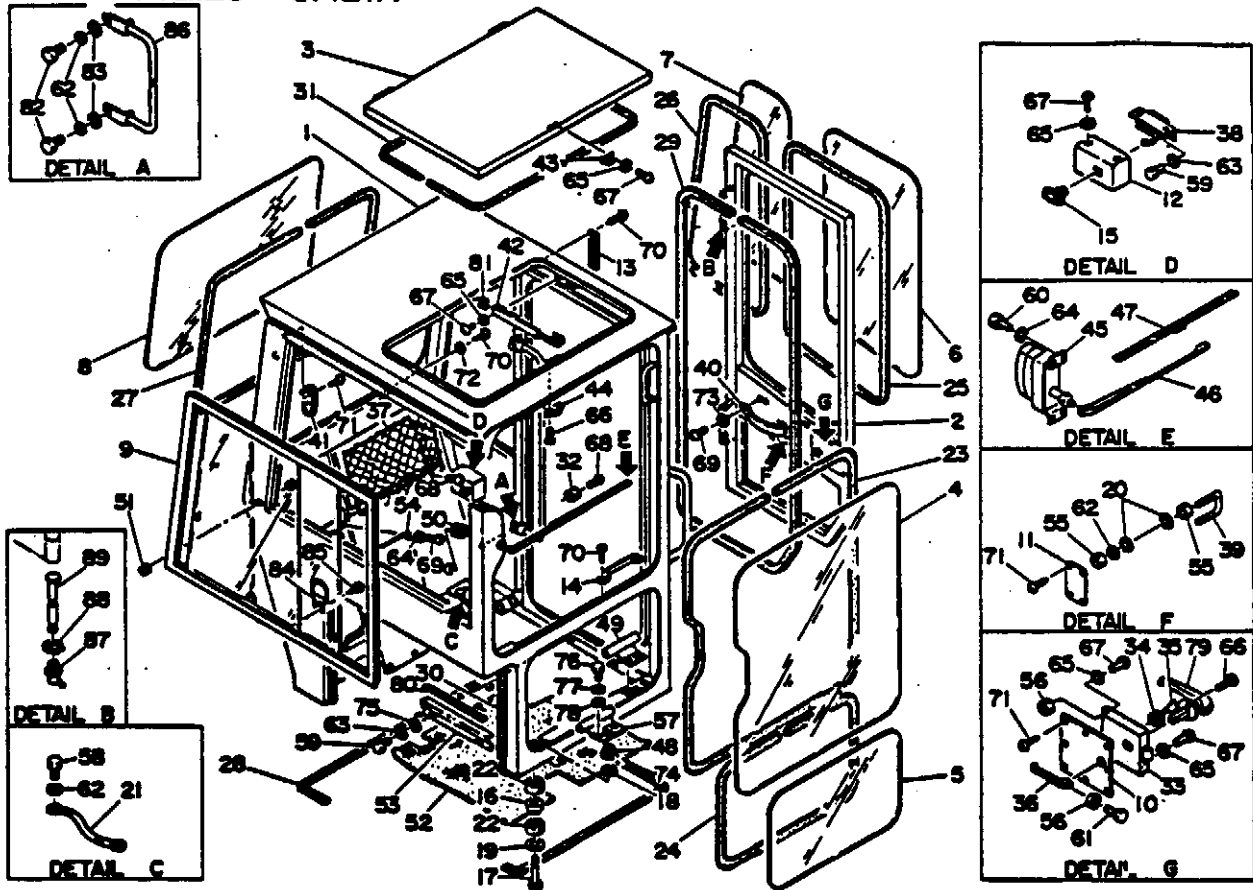


QTY	PARTS NUMBER	DESCRIPTION	QTY	REMARKS	QTY	PARTS NUMBER	DESCRIPTION	QTY	REMARKS
	81	01486-19000 CABIN ASSY	1		25	16542-52000 *N-RUBBER	1		
1	01486-19100 *CABIN	1			26	16542-52000 *N-RUBBER	1		
2	01486-15200 *DOOR	1			27	16542-52000 *N-RUBBER	1		
3	01486-15300 *COVER	1			28	16543-02000 *SPONGE	1		
4	01486-15400 *GLASS	1			29	16545-20000 *RUBBER	1		
5	01486-15500 *GLASS	1			30	16545-20000 *RUBBER	1		
6	01486-15600 *GLASS	1			31	16546-13000 *PACKING	1		
7	01486-15700 *GLASS	1			32	16521-03224 *FOOT, Rubber	2		
8	01486-15800 *GLASS	1			33	16540-00700 *LOCK Door	1		
9	01486-15900 *WIND ASSY	1			34	16540-01000 *GROMMET	1		
10	02286-32300 *COVER	1			35	16536-11311 *U-BOLT,	1		
11	02586-10300 *COVER	1			40	16536-91450 *KNOB	1		
12	01486-16000 *COVER	1			41	16536-14305 *ROOM LAMP	1		
13	01486-16100 *GALLERY	1			42	16540-00400 *STAY ASSY	2		
14	01486-16200 *AIR EXIT	2			43	16540-01700 *BRACKET	1		
15	16502-00500 *GRIP	1			44	16540-01900 *LATCH	1		
16	02285-11600 *DISTANCE	5			45	17040-46012 *MOTOR, Wiper	1		
17	02286-11800 *BOLT	5			46	17041-09400 *ARM, Wiper	1		
18	00036-18004 *WASHER	5			47	17040-00400 *BLADE, Wiper	1		
19	00030-00010 *WASHER	5			48	11320-20616 *NUT, Castle	5		
20	00036-00020 *WASHER	4			49	01486-19700 *SUPPORT	1		
21	01486-11300 *CABLE, Earth	1							
22	16510-05030 *RUBBER, Cushion	10							
23	16542-52000 *N-RUBBER	1							
24	16542-52000 *N-RUBBER	1							

NOTE 529 - In.2

NOTE 529 - In.2

FIG.29 CABIN



QTY	PARTS NUMBER	DESCRIPTION	REMARKS
2	16516-53000	*GROMMET	
2	16529-51000	*GROMMET	
1	01406-19000	*MAT. Floor	
1	01406-17700	*COVER	
1	01406-19200	*COVER	
4	11300-40010	*NUT	
3	11300-40005	*NUT	
1	01406-19500	*SUPPORT	
1	11000-41020	*BOLT	
4	11000-40015	*BOLT	
4	11000-40010	*BOLT	
1	11000-40010	*BOLT	
5	11400-20010	*WASHER Sp/Tr	820 -
4	11400-20000	*WASHER Spring	
12	11400-20005	*WASHER Spring	
14	11400-20005	*WASHER Spring	
4	11205-30512	*SCREW Flat Head	
16	11205-30512	*SCREW Pan Head	
6	11205-30520	*SCREW Pan Head	
12	11205-30620	*SCREW Pan Head	
20	11227-00510	*SCREW Tap	
14	11227-00410	*SCREW Tap	
12	16540-01400	*WASHER	
4	11411-10005	*WASHER Plain	
5	12100-00430	*PIN Cotter	

NOTE 820 - No.6

QTY	PARTS NUMBER	DESCRIPTION	REMARKS
2	11411-10000	*WASHER Plain	
4	11000-41020	*BOLT	
4	11400-20010	*WASHER Spring	
4	11411-10010	*WASHER Plain	
1	16540-00000	*HANDLE	
1	01406-19700	*SHEET	
2	01406-19000	*COVER	
2	11000-41025	*BOLT	820 -
2	00030-00003	*WASHER	820 -
2	16536-11004	*STOPPER	820 -
6	11225-00510	*SCREW Tap	820 -
1	01406-21100	*HANDLE	820 -
1	15600-01675	*WHIPPLE Grease	
1	12200-00015	*RING Snap	
1	02100-01000	*PIN	

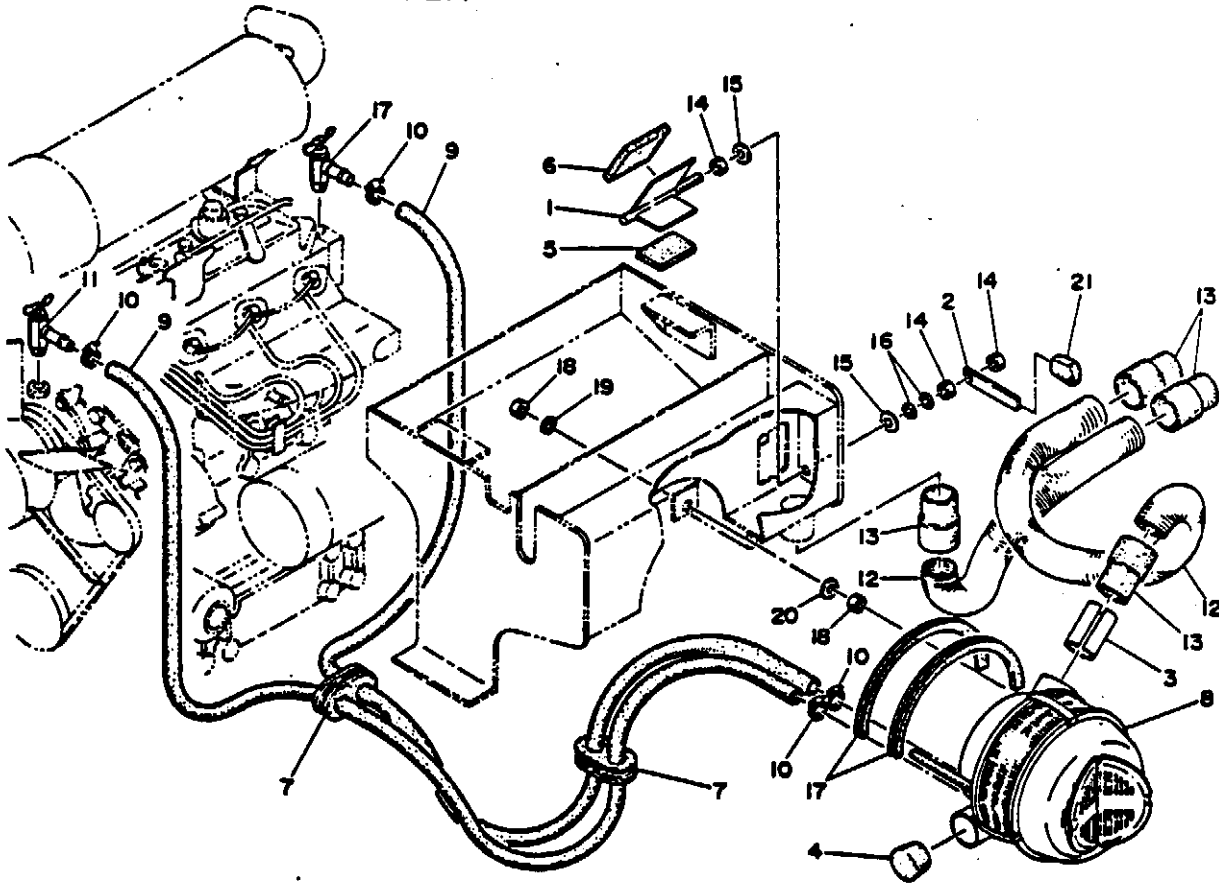
16541-00206 - latch  
16536-00520 - catch (lock)

NOTE

820 -

No.3

FIG.30-1 HEATER

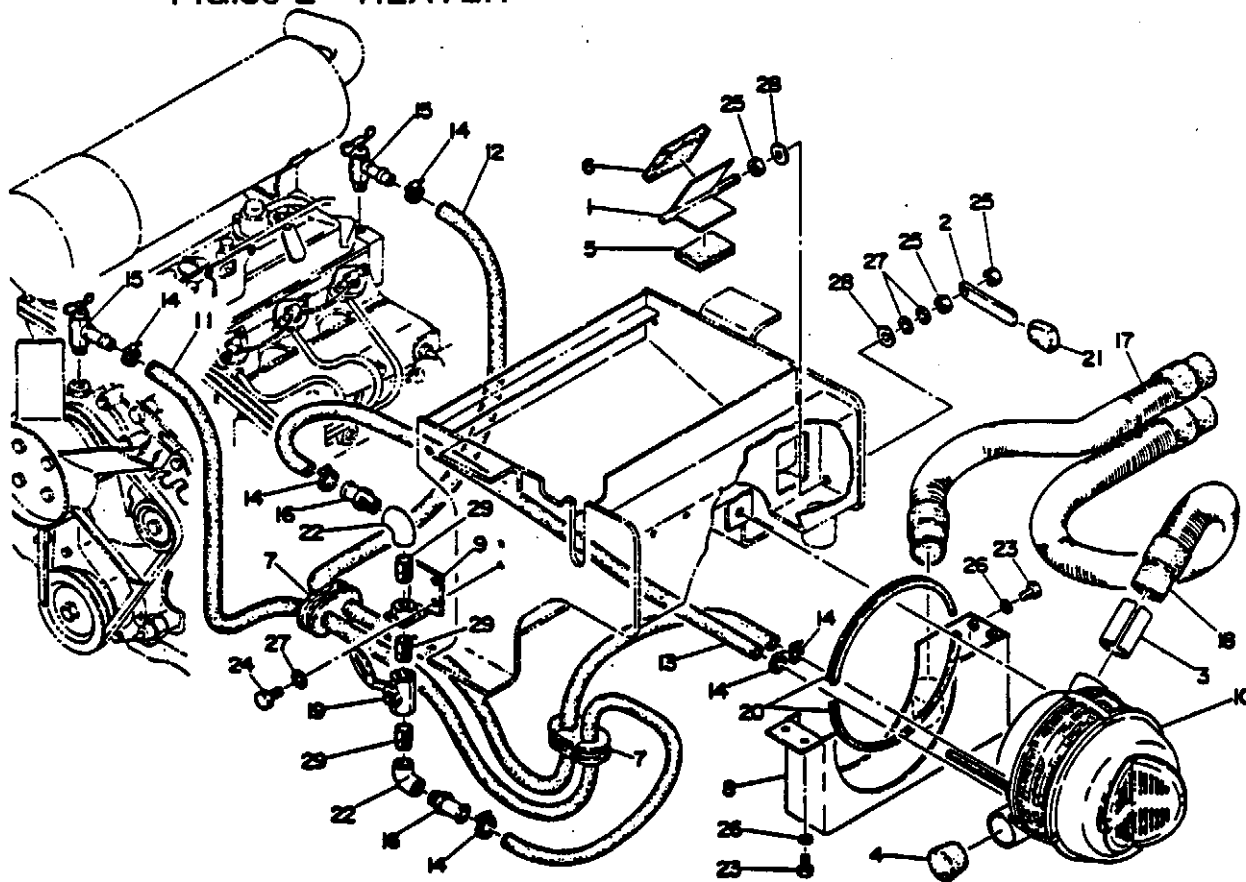


QTY	PARTS NUMBER	DESCRIPTION	QTY	REMARKS
1	01445-00100	DAMPER	1	
1	01445-00200	LEVER	1	
1	01445-00300	CONNECTOR	1	
1	01445-00400	STOPPER, Rubber	1	
1	01445-00500	SPONGE	1	
1	01445-00600	SPONGE	1	
2	00972-10300	GUARD	2	
1	19115-00100	HEATER	1	
2	19115-01500	NOSE	2	
4	19115-00300	CLAMP	4	
2	19115-00300	VALVE	2	
2	15660-30040	NOSE	2	
4	15660-00030	CUFFS	4	
3	11300-40000	NUT	3	
2	11411-10000	WASHER, Plate	2	
2	11400-20000	WASHER, Spring	2	
2	16340-13000	PACKING, Spring	2	
4	11305-40010	NUT	4	
2	11400-20010	WASHER, Spring	2	
2	00035-00020	WASHER	2	
1	16501-13440	GRIP	1	

NOTE

89-

FIG.30-2 HEATER



Qty	PARTS NUMBER	DESCRIPTION	REMARKS	Qty	PARTS NUMBER	DESCRIPTION	REMARKS
1	01445-00100	DAMPER	1	26	11400-20000	WASHER, Spring	4
2	01445-00200	LEVER	1	27	11400-20000	WASHER, Spring	4
3	01445-00300	CONNECTOR	1	28	11411-10000	WASHER, Plain	2
4	01445-00400	STOPPER, Rubber	1	29	15130-00003	NIPPLE	3
5	01445-00500	SPONGE	1				
6	01445-00600	SPONGE	1				
7	00072-10300	GUARD	2				
8	01445-01100	COVER	1				
9	01445-01200	CLAMP	1				
10	19115-00100	HEATER	1				
11	19115-11050	HOSE	1				
12	19115-11030	HOSE	1				
13	19115-01050	HOSE	1				
14	19115-00500	CLAMP	6				
15	19115-02100	VALVE	2				
16	19115-02200	ADAPTOR	2				
17	15870-03040	HOSE	1				
18	15870-03070	HOSE	1				
19	15215-00003	VALVE	1				
20	16546-13004	PACKING	2				
21	16301-13440	GRIP	1				
22	15080-00003	ELBOW, 90°	2				
23	11000-40616	BOLT	4				
24	11000-40820	BOLT	2				
25	11300-40000	NUT	3				

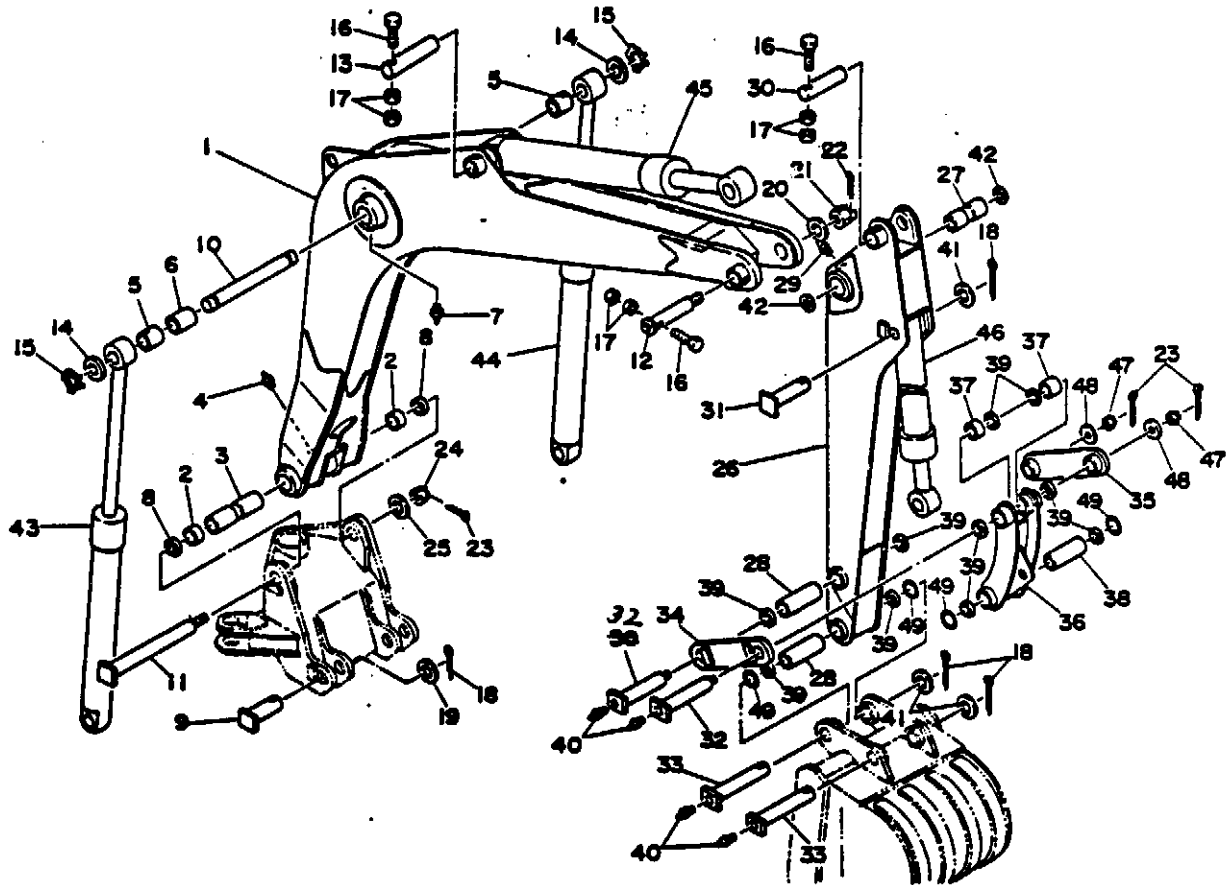
NOTE  
 826 - For Scales

NOTE 828 - For Scales

4.7

21

FIG.31 HOE



QTY	PARTS NUMBER	DESCRIPTION	QTY	REMARKS	QTY	PARTS NUMBER	DESCRIPTION	QTY	REMARKS
Q1	01460-00010	BOOM ASSY	1		20	00030-00000	WASHER	1	
1	01460-04100	BOOM	1		21	11325-20030	NUT, Castle	1	
2	00024-40040	BUSHING	2		22	12100-00055	PIN, Cotter	1	
3	00035-00000	COLLAR	1		23	12100-00050	PIN, Cotter	3	
4	15000-01075	NIPPLE, Grease	1		24	11325-20027	NUT, Castle	1	
5	00022-00007	BUSHING	2		25	00030-00010	WASHER	1	
6	00030-00051	COLLAR	1		02	01461-00000	ARM ASSY	1	
7	15000-01000	NIPPLE, Grease	2		26	01461-03100	ARM	1	
8	14322-00040	SEAL, Dust	2		27	00021-00011	BUSHING	1	
9	00010-00100	PIN	2		28	00021-00005	BUSHING	2	
10	00019-00041	PIN	1		29	15000-01000	NIPPLE, Grease	1	
11	00019-00043	PIN	1		30	00015-00014	PIN	1	
12	00019-00040	PIN	1		31	00010-25125	PIN	1	
13	00015-00020	PIN	1		32	00019-00060	PIN	2	
14	00026-00010	WASHER	2		33	00013-00002	PIN	2	
15	12220-10042	SEGER RING	2		34	01461-03200	PLATE (R. H)	1	
16	11010-41225	BOLT	3		35	01461-03300	PLATE (L. H)	1	
17	11305-40012	NUT	6		03	01461-00100	LINK ASSY, Arm	1	
18	12100-00060	PIN, Cotter	5		36	01461-04100	LINK, Arm	1	
19	00030-40000	COLLAR	4		37	00021-00006	BUSHING	2	
	00030-40001	COLLAR	4		38	00021-00005	BUSHING	1	
	00030-40002	COLLAR	4		39	14322-00035	SEAL, Dust	10	
	00030-40003	COLLAR	4		40	15000-01000	NIPPLE, Grease	4	
	00030-40004	COLLAR	4		41	00030-35000	COLLAR	4	
	00030-40005	COLLAR	4			00030-35001	COLLAR	4	

NOTE 59-

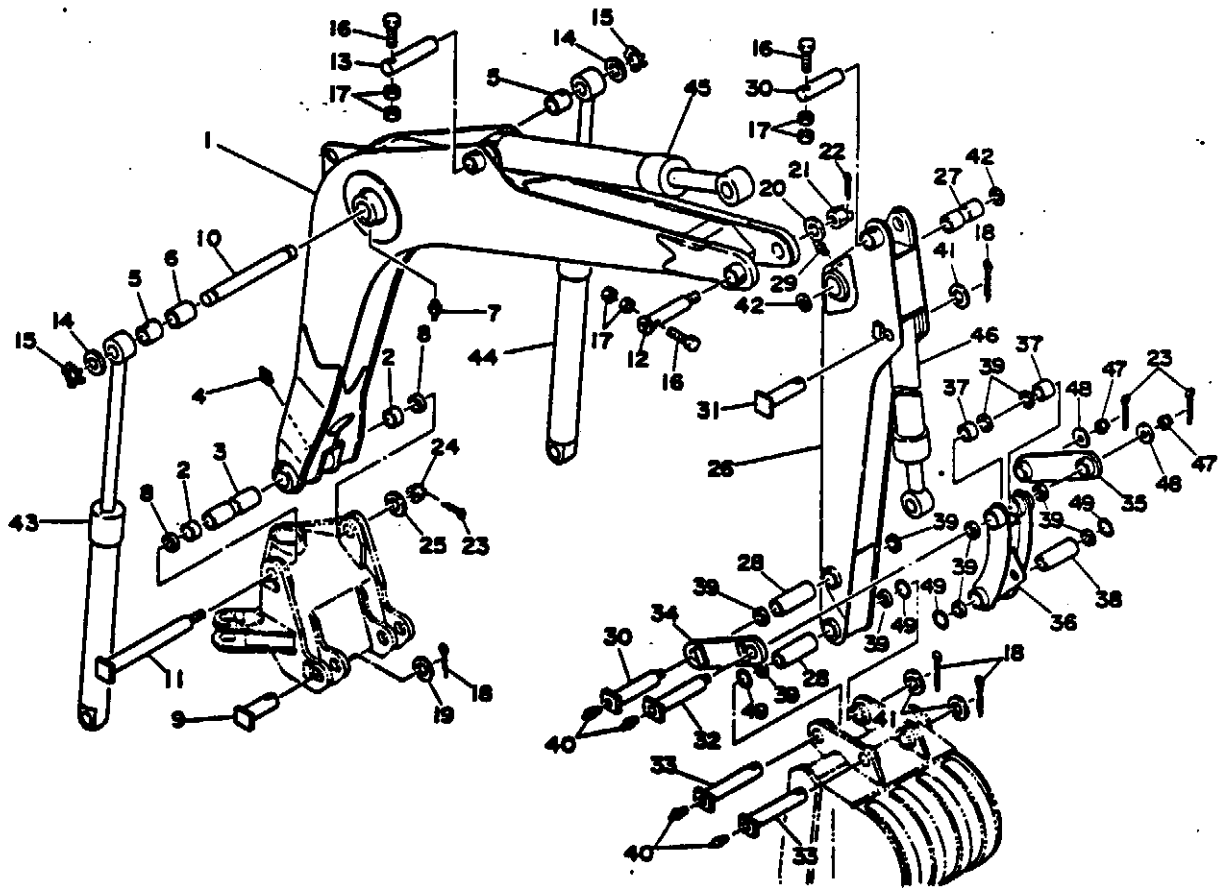
59-

NOTE 59-

59-



FIG.31 HOE

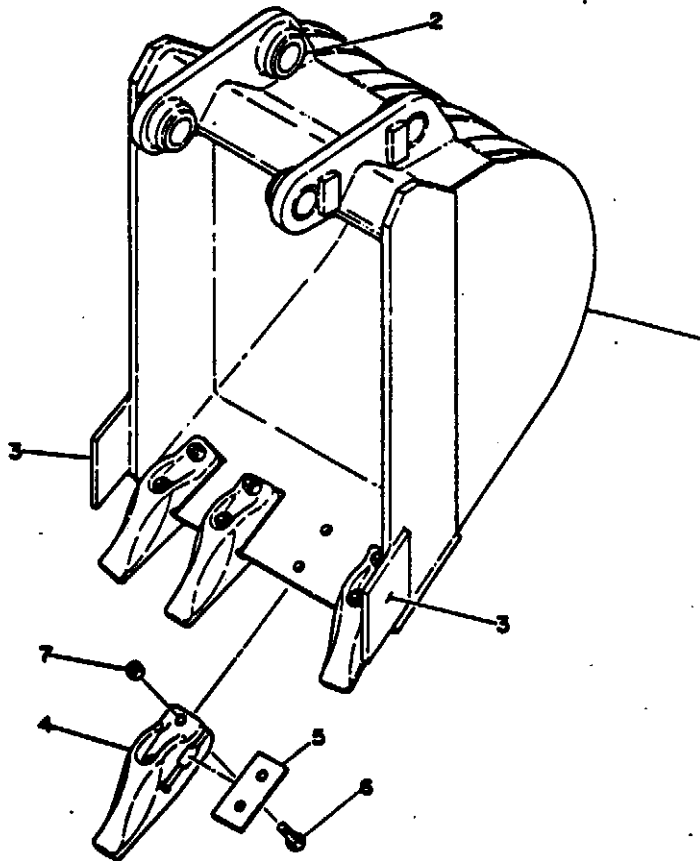


QTY	PARTS NUMBER	DESCRIPTION	REMARKS
	00030-35002	COLLAR	2
	00030-35003	COLLAR	2
	00030-35004	COLLAR	2
	00030-35005	COLLAR	2
2	14322-00045	SEAL, Dust	2
1	19000-11900	CYLINDER, Boom (L. ID)	1
1	19000-11900	CYLINDER, Boom (R. ID)	1
1	19000-12100	CYLINDER, Arm	1
1	19000-12000	CYLINDER, Bucket	1
2	11320-20024	NUT, Castle	2
2	00030-00014	WASHER	2
4	14329-00004	O-RING	4

NOTE

29-

FIG.32 BUCKET

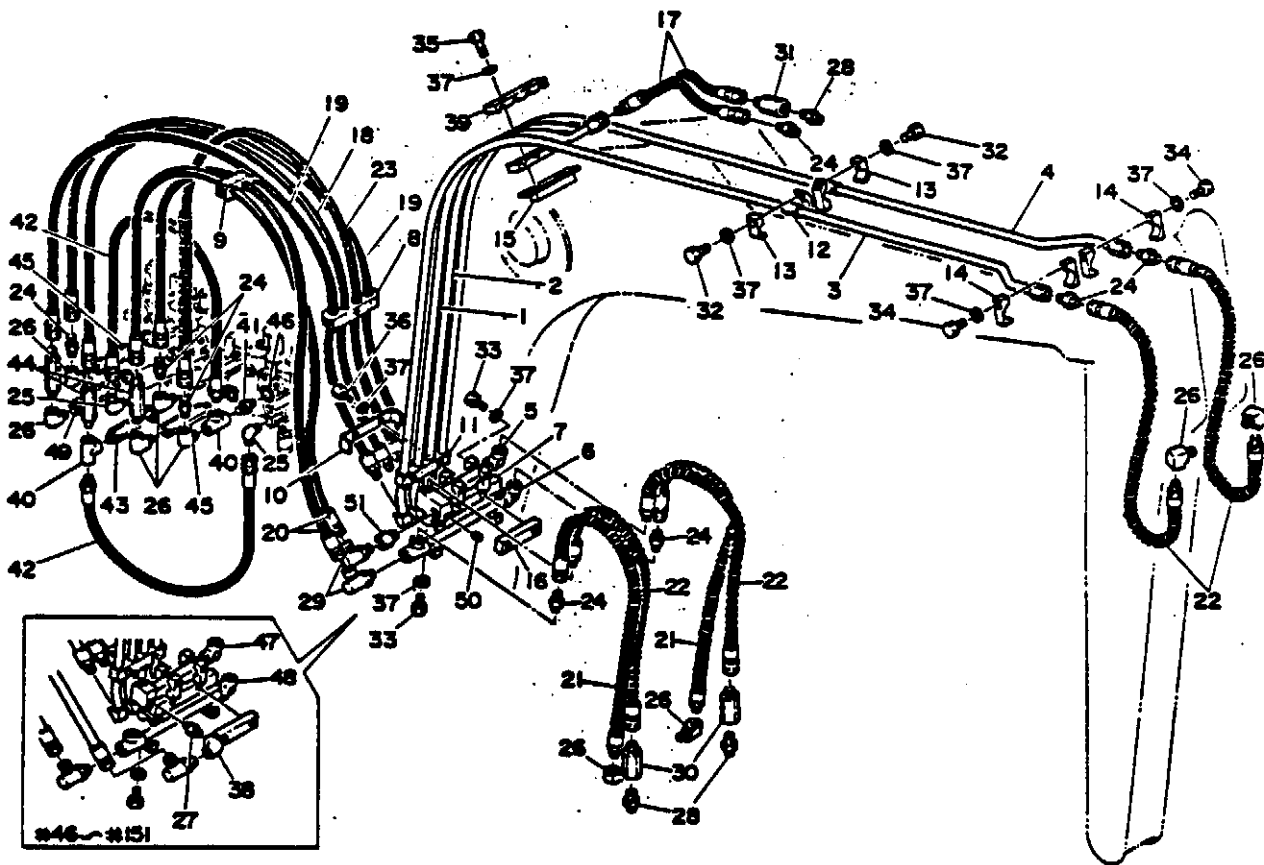


QTY	PARTS NUMBER	DESCRIPTION	QTY	REMARKS
01	01362-41300	BUCKET ASSY	1	
1	01362-42300	BUCKET	1	
2	00029-00013	BUSHING	4	
3	01362-42000	CUTTER, Side	2	
4	01362-09900	TOOTH	4	
5	01362-09801	SHIM	2	
	01362-09802	SHIM	2	
	01362-09803	SHIM	2	
6	11010-51245	BOLT	2	
7	11305-50012	NUT	1	

NOTE

SP-

FIG.33-1 PIPING, HOE 1

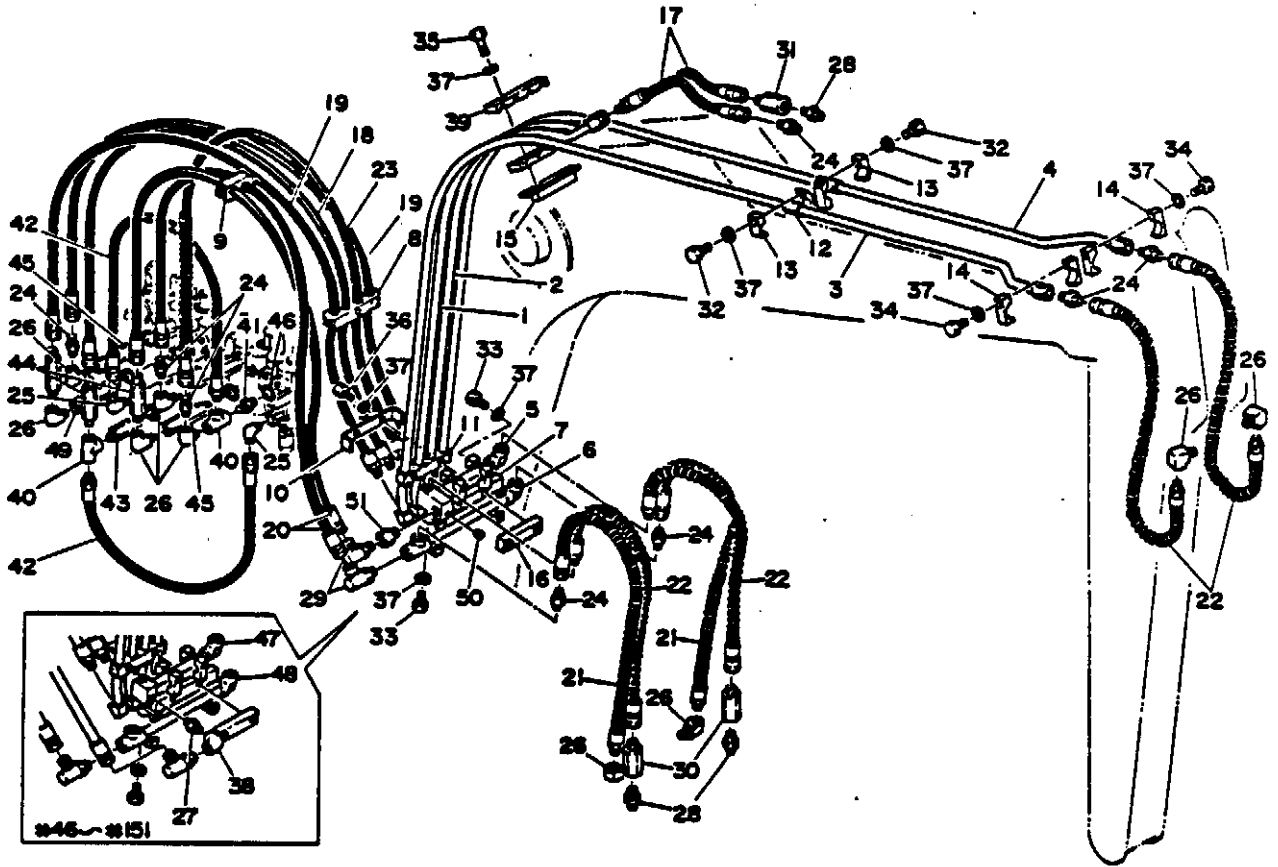


Qty	PARTS NUMBER	DESCRIPTION	REMARK	Qty	PARTS NUMBER	DESCRIPTION	REMARK
1	01473-55100	PIPE		25	15013-00003	ELBOW, 90°	9
2	01473-55900	PIPE		27	15015-00003	CONNECTOR	1 81-8121
3	01473-55200	PIPE		28	15015-00403	ADAPTOR	3
4	01473-55300	PIPE		29	15140-00103	ELBOW, Swivel	2
5	01473-58100	PIPE	SIZE-	30	19017-02000	VALVE Holding	2
6	01473-58200	PIPE	SIZE-	31	19017-02100	VALVE Holding	1
7	01473-56300	CLAMP		32	11000-40825	BOLT	2
8	01473-56400	CLAMP		33	11000-40830	BOLT	4
9	01473-56500	CLAMP		34	11000-40835	BOLT	2
10	01473-56400	CLAMP		35	11000-40840	BOLT	2
11	01473-54500	GUARD		36	11000-40835	BOLT	2
12	01473-51300	GUARD		37	11400-10008	WASHER, Spring	12
13	01473-54700	CLAMP		38	15010-00003	ELBOW, 90°	1 81-8121
14	01373-10700	CLAMP		39	01473-56700	CLAMP	1
15	01473-54800	PLATE		40	15012-00003	TEE	2
16	01300-10120	PLATE		41	00072-00101	ADAPTOR	1
17	19000-09035	HOSE ASSY		42	19000-09040	HOSE ASSY	2
18	19000-09135	HOSE ASSY		43	00072-00110	ADAPTOR	1
19	19000-09145	HOSE ASSY		44	00072-00002	ADAPTOR	3
20	19002-09120	HOSE ASSY		45	00072-00109	ADAPTOR	2
21	19001-09075	HOSE ASSY		46	14203-10900	O-RING	1 89-
22	19001-09085	HOSE ASSY		47	01473-55700	PIPE	1 81-8121
23	19004-09135	HOSE ASSY		48	01473-55200	PIPE	1 81-8121
24	15110-00003	ADAPTOR		49	00070-00134	ADAPTOR	1 89-
25	15111-00003	ELBOW, 90°		50	15018-10000	PLUG	1 817-

NOTE 81- for all except Sinter 81-8121 for Sinter Rev.2

NOTE 81- for all except Sinter 81-8121 for Sinter Rev.2

FIG.33-1 PIPING, HOE 1

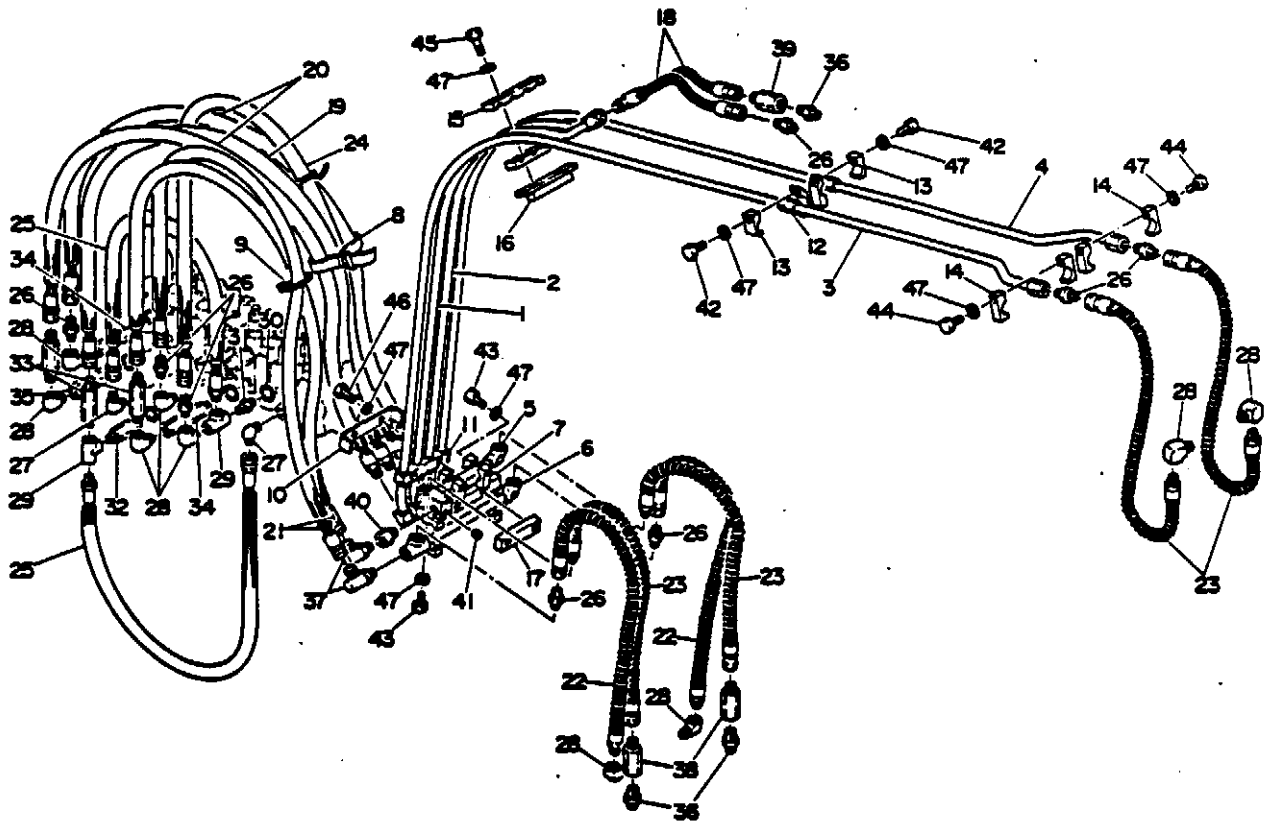


PARTS NUMBER	DESCRIPTION	Qty	REMARK
S 15619-10303	CONNECTOR	1	SEE -

NOTE

24-for all except Series .  
 24-025 for Series

FIG.33-2 PIPING, HOE 1

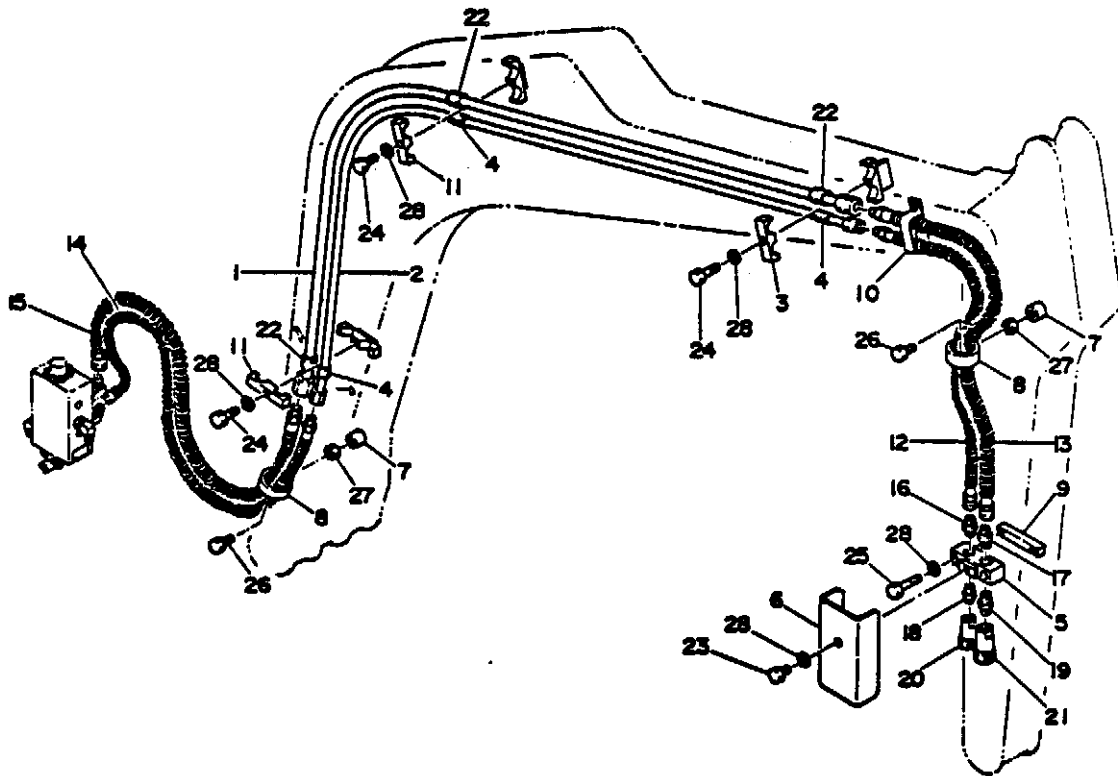


1mm	PARTS NUMBER	DESCRIPTION	QTY	REMARK	1mm	PARTS NUMBER	DESCRIPTION	QTY	REMARK
1	01473-55100	PIPE	1		28	15110-00003	ADAPTOR	8	
2	01473-55900	PIPE	1		27	15111-00003	ELBOW, 90°	2	
3	01473-55200	PIPE	1		28	15013-00003	ELBOW, 90°	9	
4	01473-55300	PIPE	1		29	15012-00003	TEE	2	
5	01473-58100	PIPE	1		30	14203-10000	O-RING	5	
6	01473-50200	PIPE	1		31	00072-00101	ADAPTOR	1	
7	01473-56300	CLAMP	1		32	00072-00112	ADAPTOR	1	
8	16522-10001	BAND	1		33	00072-00002	ADAPTOR	3	
9	16522-01005	BAND	1		34	00072-00109	ADAPTOR	2	
10	01473-54400	CLAMP	1		35	00072-00134	ADAPTOR	1	
11	01473-54500	GUARD	1		36	15015-00403	ADAPTOR	3	
12	01473-51300	GUARD	2		37	15140-10303	ELBOW	2	
13	01473-54700	CLAMP	2		38	15017-02000	VALVE, HOLDING	2	
14	01373-10700	CLAMP	2		39	15017-02100	VALVE, HOLDING	1	
15	01473-56700	CLAMP	1		40	15019-10303	ADAPTOR	1	
16	01473-54800	PLATE	1		41	15019-10000	PLUG	1	
17	01380-10120	PLATE	1		42	11000-40825	BOLT	2	
18	19089-03035	HOSE ASSY	2		43	11000-40830	BOLT	4	
19	19089-03135	HOSE ASSY	1		44	11000-40835	BOLT	2	
20	19089-03145	HOSE ASSY	2		45	11000-40840	BOLT	2	
21	19089-23120	HOSE ASSY	2		46	11000-40855	BOLT	2	
22	19088-13075	HOSE ASSY	2		47	11400-10006	WASHER, SPRING	12	
23	19088-13085	HOSE ASSY	4						
24	19089-43135	HOSE ASSY	1						
25	19089-03040	HOSE ASSY	2						

NOTE: 8250 - for Sando

NOTE: 826 - for Sando

FIG.34-1 PIPING, HOE 2



QTY	PARTS NUMBER	DESCRIPTION	REMARK
1	01473-50300	PIPE	#12~
1	01473-50100	PIPE	#1~#15
2	01473-50400	PIPE	#12~
1	01473-50200	PIPE	#1~#15
3	01473-53500	CLAMP	
4	01473-51300	GUARD	3
5	01573-24500	ADAPTOR	1
6	01573-25500	ADAPTOR	1
7	01573-25600	PIECE	2
8	02272-41100	CLAMP	2
9	01573-25200	BAR, Flat	1
10	00073-00610	CLAMP	#1~#15
11	01573-11200	CLAMP	2
12	19001-09092	HOSE ASSY	1
13	19001-12002	HOSE ASSY	1
14	19001-09105	HOSE ASSY	#12~
1	19001-09110	HOSE ASSY	#1~#15
15	19001-12110	HOSE ASSY	#12~
1	19001-12115	HOSE ASSY	#1~#15
16	15110-00003	ADAPTOR	1
17	15110-00004	ADAPTOR	1
18	15015-00003	CONNECTOR	1
19	15015-00004	CONNECTOR	1
20	15166-00003	COUPLING	1
21	15166-00004	COUPLING	1

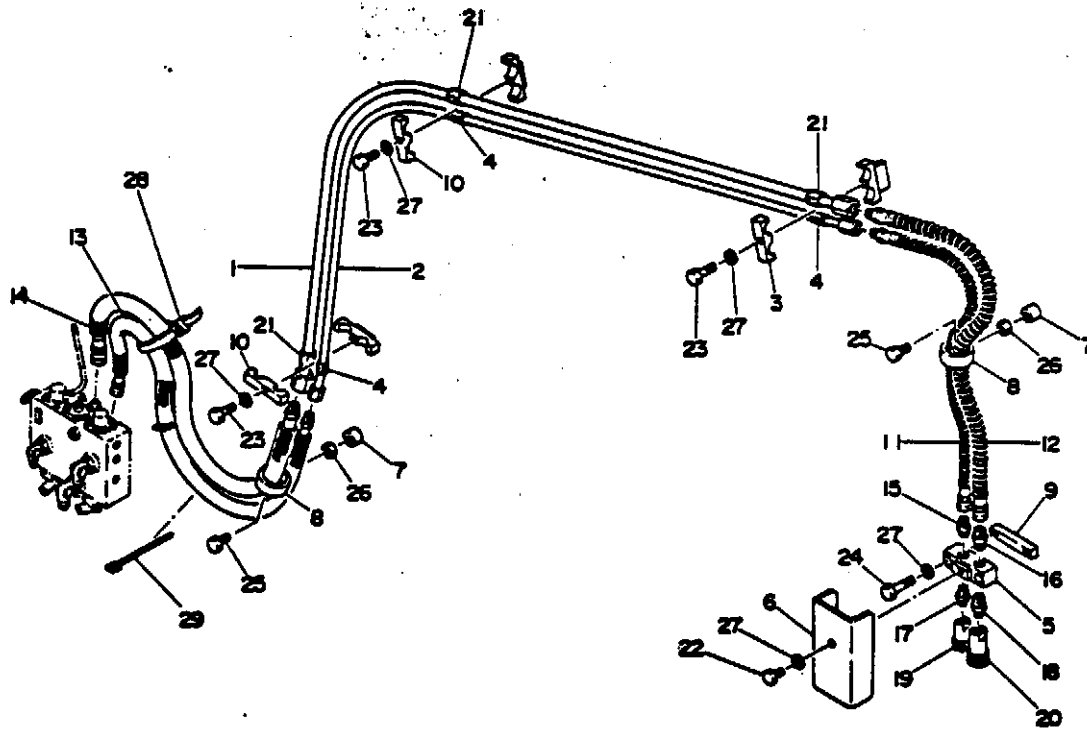
QTY	PARTS NUMBER	DESCRIPTION	REMARK
3	15314-19003	GUARD	3
1	11000-40016	BOLT	1
3	11000-40035	BOLT	3
2	11000-40045	BOLT	2
2	11000-41025	BOLT	2
2	11300-50010	NUT	2
6	11400-10000	WASHER, Spring	6

NOTE

#12~ for all except Sander  
 #1~#15 for Sander

NOTE #12~ for all except Sander #1~#15 for Sander Rev. 3

FIG.34-2 PIPING, HOE 2



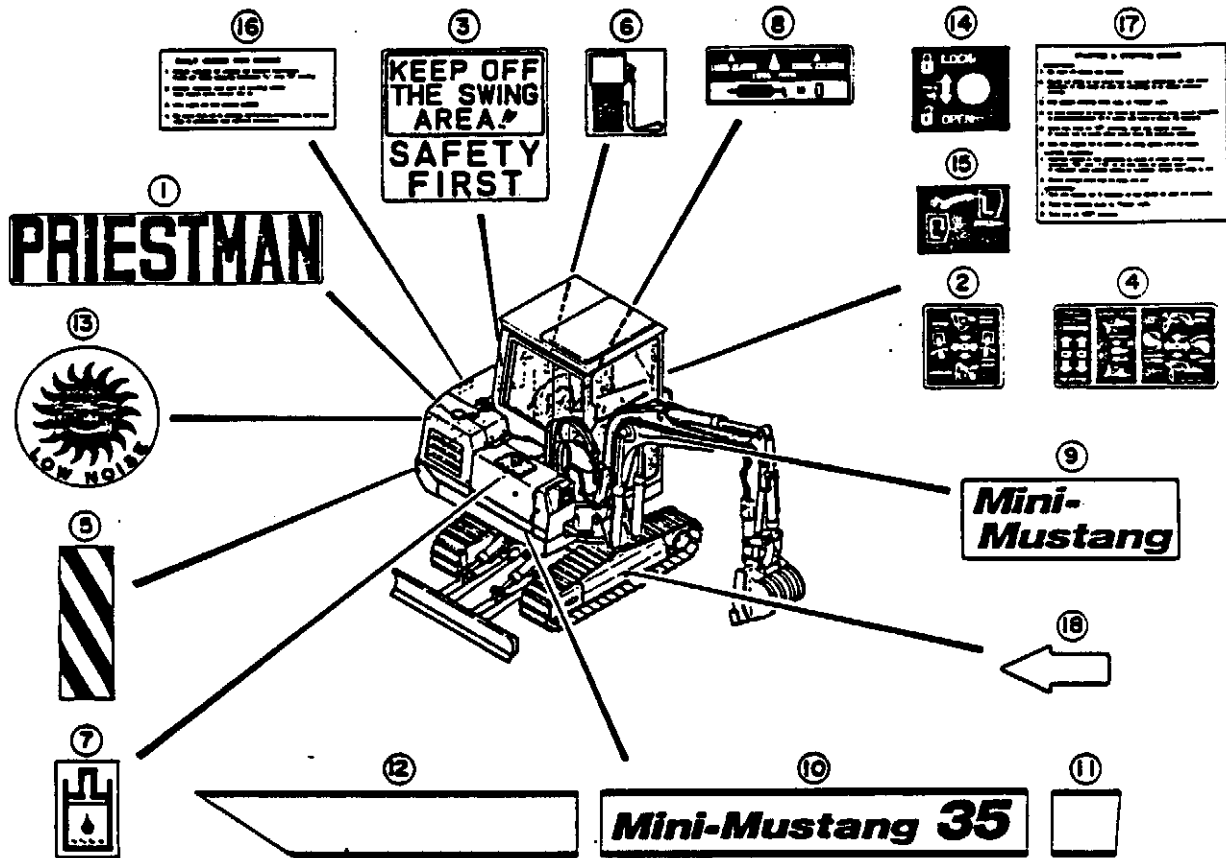
QTY	PARTS NUMBER	DESCRIPTION	REMARKS
1	01473-58300	PIPE	1
2	01473-58400	PIPE	1
3	01473-55600	CLAMP	1
4	01473-51300	GUARD	3
5	01573-24500	ADAPTOR	1
6	01573-25300	ADAPTOR	1
7	01573-25600	PIECE	2
8	02272-41100	CLAMP	2
9	01573-25200	BAR Flat	1
10	01573-11200	CLAMP	2
11	19088-13092	HOSE ASSY	1
12	19088-14092	HOSE ASSY	1
13	19089-12109	HOSE ASSY	1
14	19089-14119	HOSE ASSY	1
15	15110-00003	ADAPTOR	1
16	15110-00004	ADAPTOR	1
17	15015-00003	CONNECTOR	1
18	15015-00004	CONNECTOR	1
19	15166-00003	COUPLING	1
20	15166-00004	COUPLING	1
21	15314-19003	GUARD	3
22	11000-40816	BOLT	1
23	11000-40825	BOLT	3
24	11000-46645	BOLT	2
25	11000-41023	BOLT	2

QTY	PARTS NUMBER	DESCRIPTION	REMARKS
26	11300-40010	NUT	2
27	11400-20000	WASHER Spring	8
28	16522-10001	BAND	1
29	16522-01005	BAND	2

NOTE

SEE ~ For Details

FIG.35-1 STICKERS



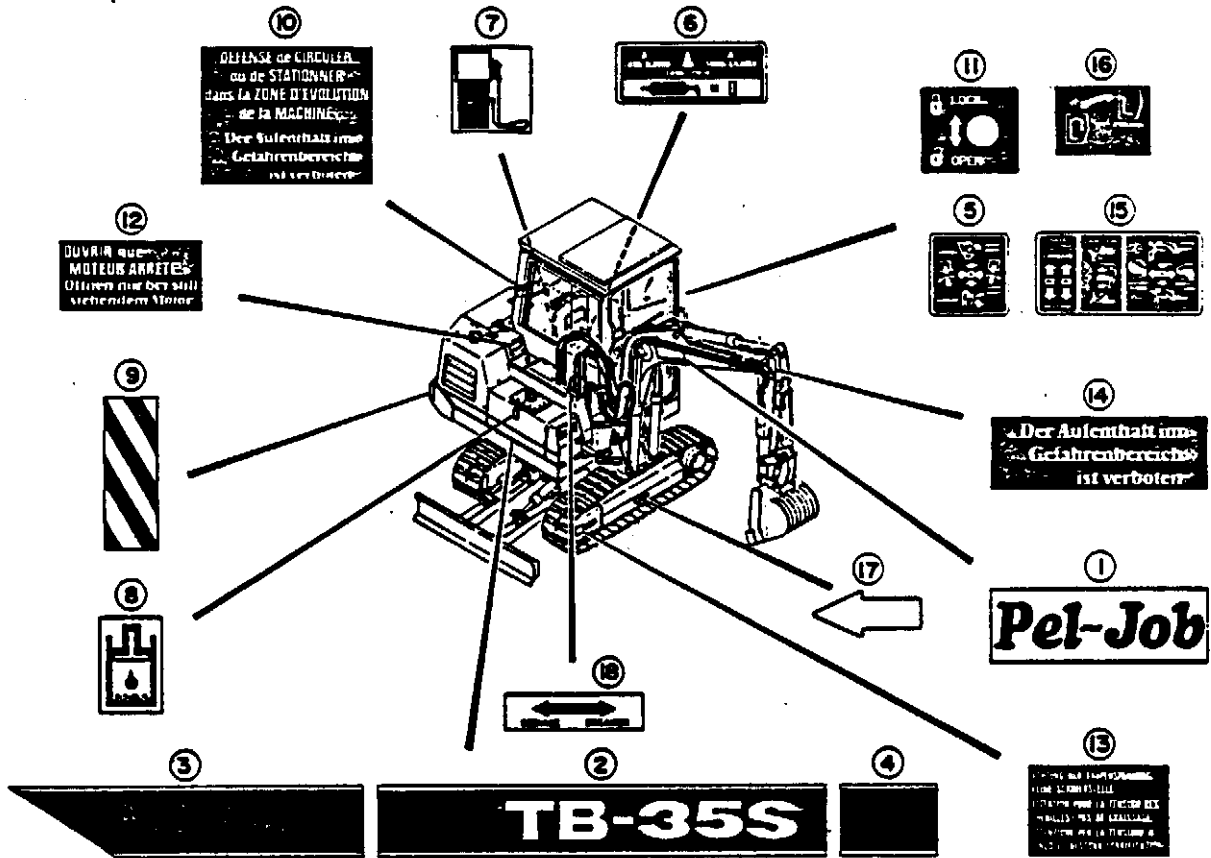
QTY	PARTS NUMBER	DESCRIPTION	QTY	REMARKS
Q1	01493-90000	STICKER SET	1	
1	01493-57600	*STICKER	1	
2	01493-58600	*STICKER	1	
3	01593-20500	*STICKER	1	
4	01493-58700	*STICKER	1	
5	02593-00500	*SYMBOL MARK	2	
6	02593-00600	*SYMBOL MARK	1	
7	02593-00700	*SYMBOL MARK	1	
8	01493-54100	*STICKER	1	
9	01493-54200	*STICKER	3	
10	01493-57100	*STICKER	1	
11	01493-57300	*STICKER	1	
12	01493-57200	*STICKER	1	
13	02293-02400	*SYMBOL MARK	1	
14	01493-37500	*STICKER	3	
15	01493-57700	*STICKER	1	
16	01493-57800	*STICKER	1	
17	01493-39800	*STICKER	1	
18	01393-02500	*STICKER	2	

NOTE

for legend. SIC ~



FIG.35-2 STICKERS

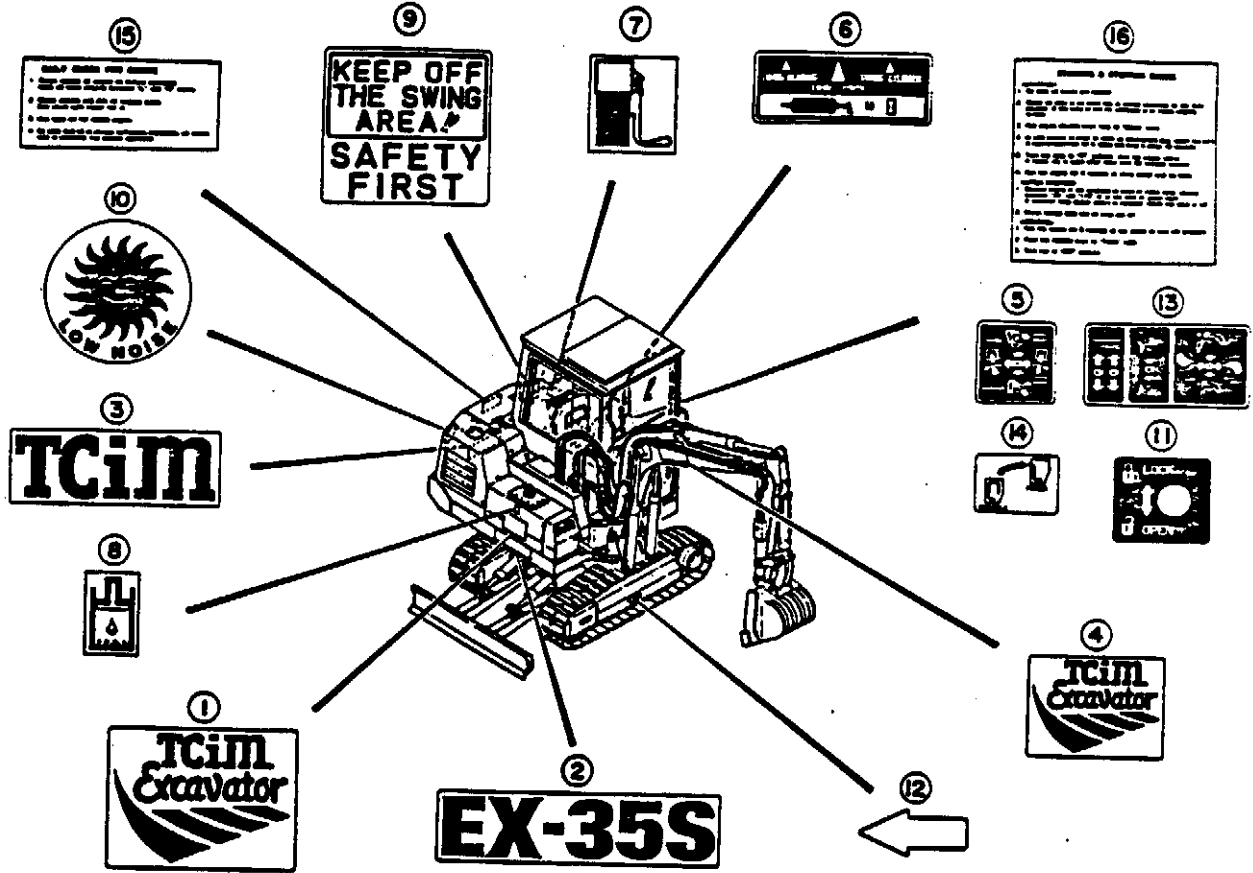


QTY	PARTS NUMBER	DESCRIPTION	QTY	REMARKS
01	01493-90010	STICKER SET	1	
1	01593-00200	*STICKER	2	
2	01493-50100	*STICKER	1	
3	01493-50200	*STICKER	1	
4	01493-50300	*STICKER	1	
5	01493-50600	*STICKER	1	
6	01493-54100	*STICKER	1	
7	02593-00600	*SYMBOL MARK	1	
8	02593-00700	*SYMBOL MARK	1	
9	02593-00500	*STICKER	2	
10	02593-00300	*STICKER	1	
11	01493-57500	*STICKER	2	
12	02593-00400	*STICKER	2	
13	01593-30100	*STICKER	2	
14	02593-01000	*STICKER	2	
15	01493-50700	*STICKER	1	
16	01493-57700	*STICKER	1	
17	01393-02500	*STICKER	2	
18	01493-03100	*STICKER	1	

NOTE

PCS - for France

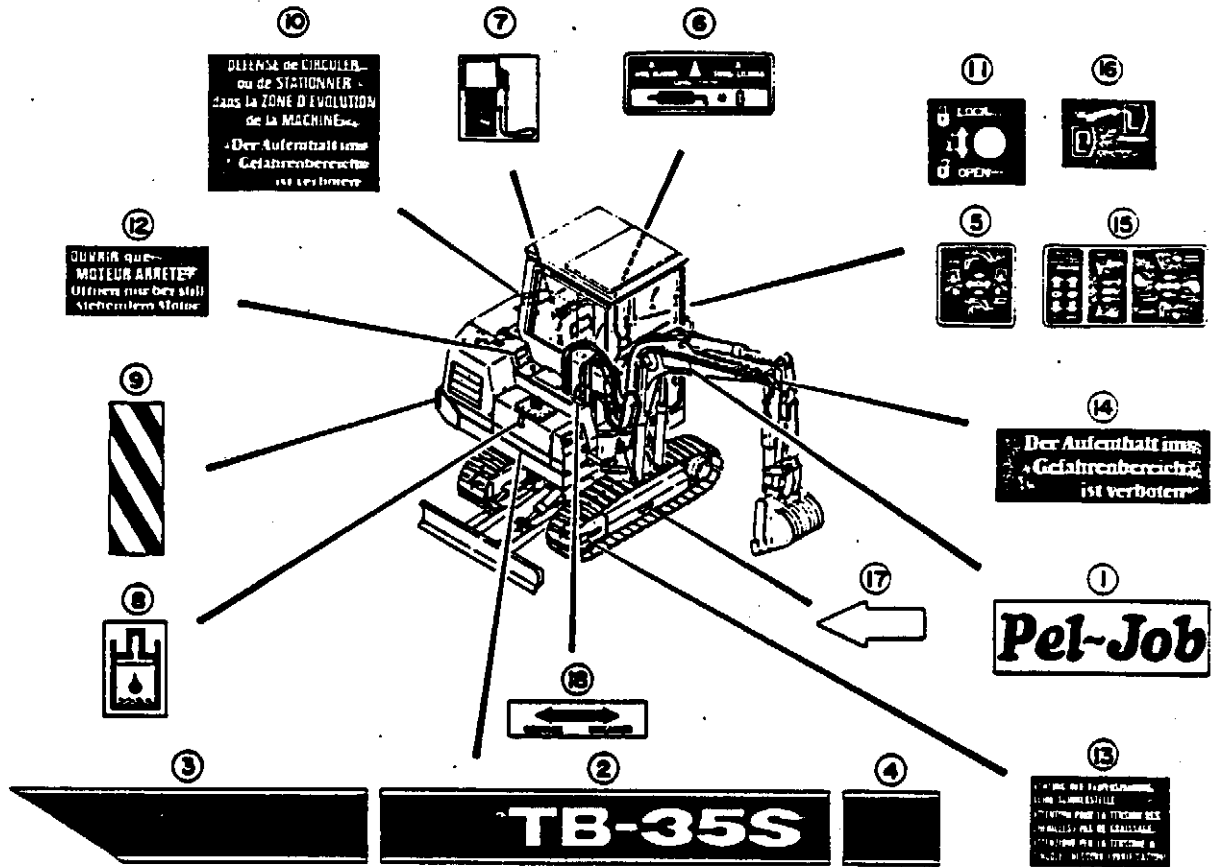
FIG.35-3 STICKERS



QTY	PARTS NUMBER	DESCRIPTION	QTY	REMARKS
01	01493-90020	STICKER SET	1	
1	01493-59100	*STICKER	2	
2	01493-59200	*STICKER	2	
3	01493-59300	*STICKER	1	
4	00693-25200	*STICKER	1	
5	01493-50600	*STICKER	1	
6	01493-54100	*STICKER	1	
7	02593-00600	*SYMBOL MARK	1	
8	02593-00700	*SYMBOL MARK	1	
9	01593-20500	*STICKER	1	
10	02293-02400	*SYMBOL MARK	1	
11	01493-57500	*STICKER	2	
12	01293-02500	*STICKER	1	
13	01493-50700	*STICKER	1	
14	01493-57700	*STICKER	1	
15	01493-57900	*STICKER	1	
16	01493-59800	*STICKER	1	

NOTE  
for Stickers

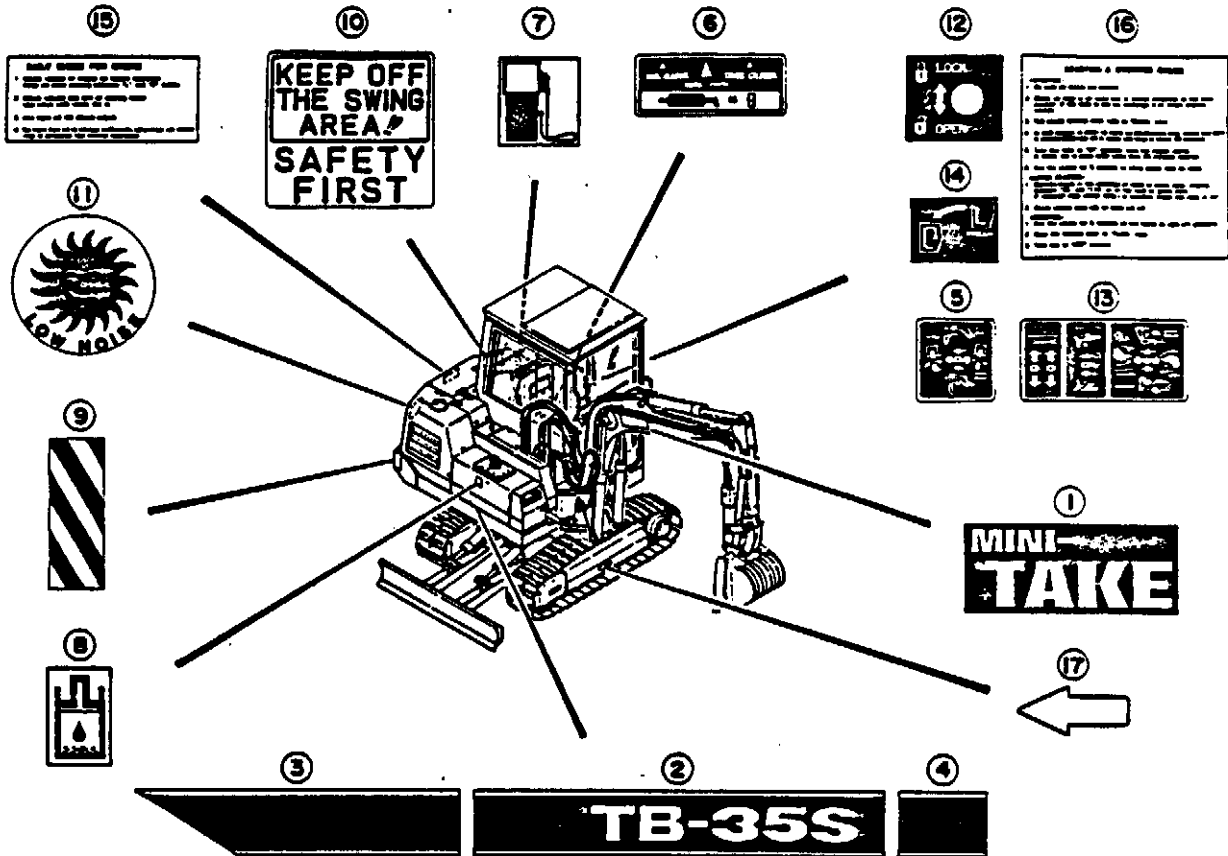
FIG.35-4 STICKERS



QTY	PARTS NUMBER	DESCRIPTION	QTY	REMARKS
01	01493-90030	STICKER SET	1	
1	01503-00200	STICKER	3	
2	01493-50100	STICKER	1	
3	01493-50200	STICKER	1	
4	01493-50300	STICKER	1	
5	01493-60700	STICKER	1	
6	01493-54100	STICKER	1	
7	02593-00600	SYMBOL MARK	1	
8	02593-00700	SYMBOL MARK	1	
9	02593-00500	STICKER	2	
10	02593-00300	STICKER	1	
11	01493-57500	STICKER	3	
12	02593-00400	STICKER	2	
13	01593-30100	STICKER	1	
14	02593-01000	STICKER	2	
15	01493-60600	STICKER	1	
16	01493-57700	STICKER	1	
17	01393-02500	STICKER	2	
18	01493-63100	STICKER	1	

NOTE  
See Spec

FIG.35-5 STICKERS

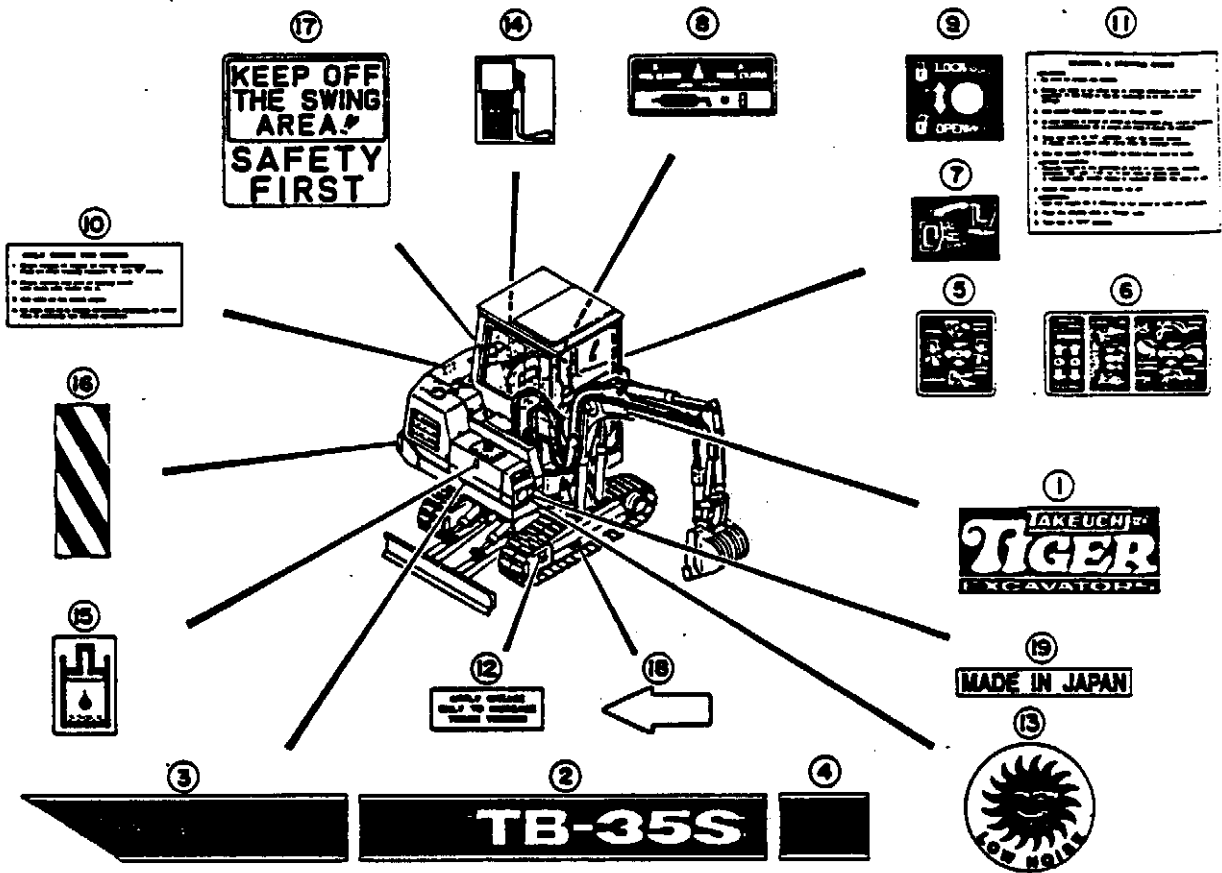


QTY	PARTS NUMBER	DESCRIPTION	REMARKS
Q-1	01493-30040	STICKER SET	1
1	00693-27200	*STICKER	4
2	01493-58100	*STICKER	1
3	01493-58200	*STICKER	1
4	01493-58300	*STICKER	1
5	01493-60700	*STICKER	1
6	01493-34100	*STICKER	1
7	02593-00600	*SYMBOL MARK	1
8	02593-00700	*SYMBOL MARK	1
9	02593-00500	*STICKER	2
10	01593-20500	*STICKER	1
11	02293-02400	*SYMBOL MARK	1
12	01493-57500	*STICKER	3
13	01493-60800	*STICKER	1
14	01493-57700	*STICKER	1
15	01493-57900	*STICKER	1
16	01493-59800	*STICKER	1
17	01393-02500	*STICKER	2

NOTE

For names

FIG.35-6 STICKERS

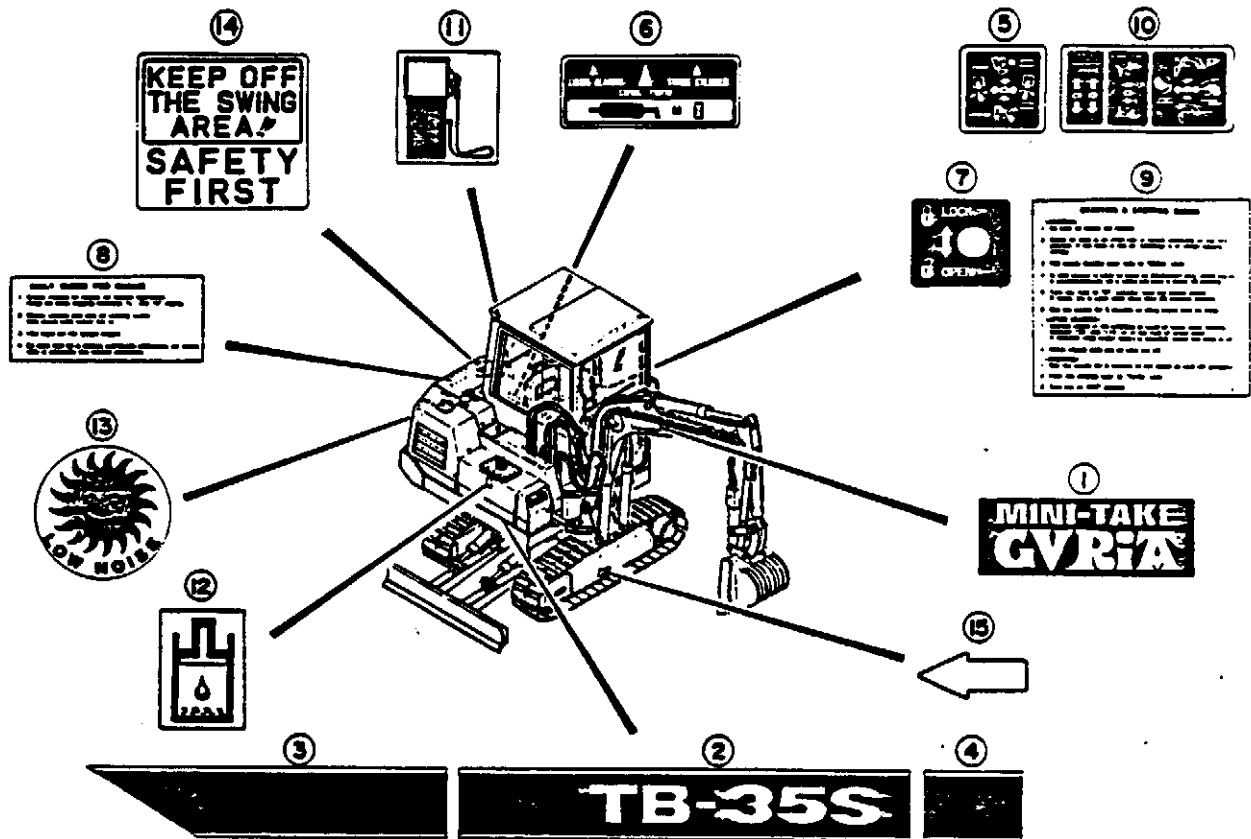


QTY	PARTS NUMBER	DESCRIPTION	QTY	REMARKS
01	01493-00050	STICKER SET	1	
1	00093-20400	*STICKER	4	
2	01493-50100	*STICKER	1	
3	01493-50200	*STICKER	1	
4	01493-50300	*STICKER	1	
5	01493-50600	*STICKER	1	
6	01493-50700	*STICKER	1	
7	01493-57700	*STICKER	1	
8	01493-54100	*STICKER	1	
9	01493-57500	*STICKER	3	
10	01493-57900	*STICKER	1	
11	01493-59000	*STICKER	1	
12	01493-62200	*STICKER	2	
13	02293-02400	*SYMBOL MARK	1	
14	02393-00600	*SYMBOL MARK	1	
15	00593-00700	*SYMBOL MARK	1	
16	02593-00500	*STICKER	2	
17	01593-20500	*STICKER	1	
18	01393-02500	*STICKER	2	
19	01493-62400	*STICKER	1	

NOTE

0100 - for U.S.A.

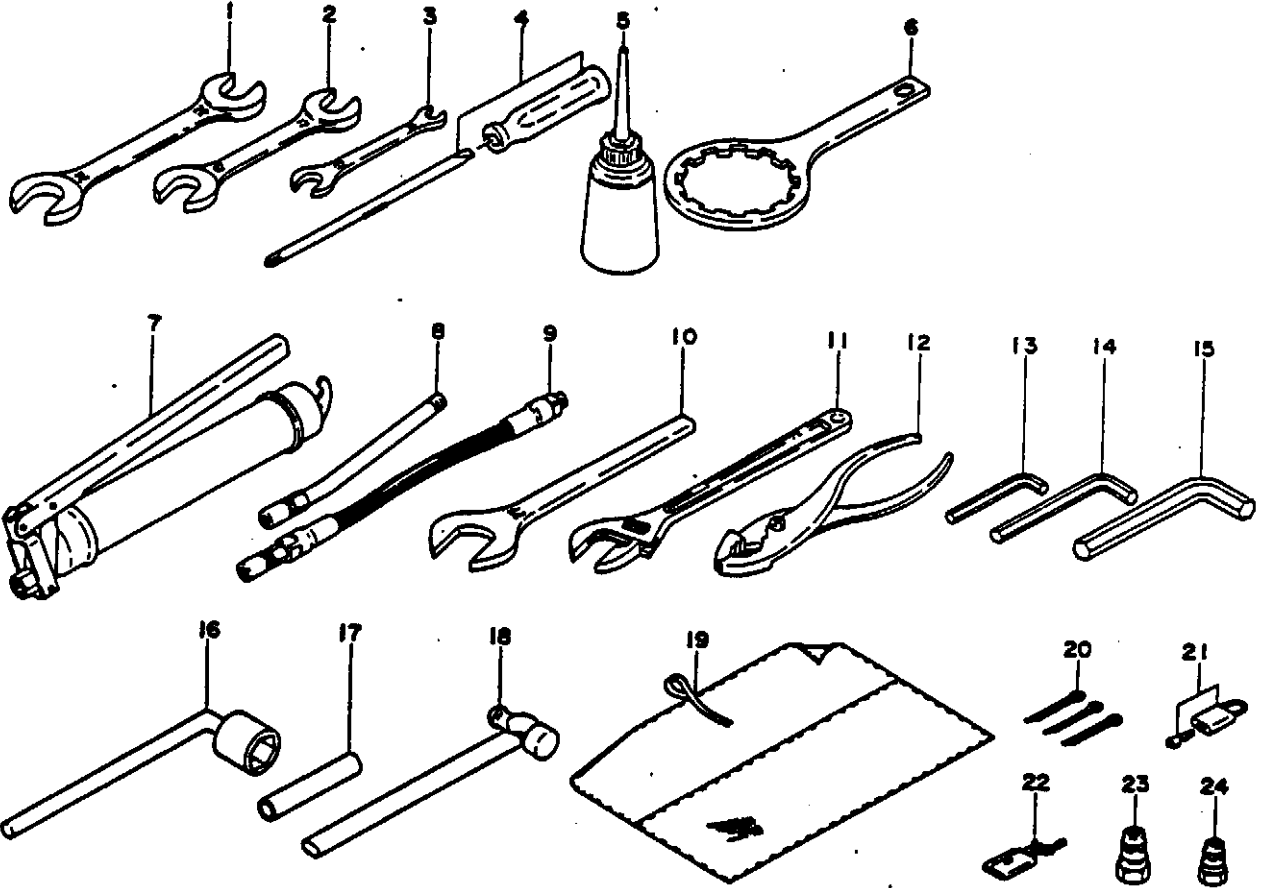
FIG.35-7 STICKERS



QTY	PARTS NUMBER	DESCRIPTION	REMARKS
01	01493-98000	STICKER SET	1
1	00693-24100	*STICKER	4
2	01493-58100	*STICKER	1
3	01493-58200	*STICKER	1
4	01493-58300	*STICKER	1
5	01493-58600	*STICKER	1
6	01493-54100	*STICKER	1
7	01493-57500	*STICKER	3
8	01493-57900	*STICKER	1
9	01493-59800	*STICKER	1
10	01493-58700	*STICKER	1
11	02593-00600	*SYMBOL MARK	1
12	02593-00700	*SYMBOL MARK	1
13	02293-02400	*SYMBOL MARK	1
14	01593-20500	*STICKER	1
15	01393-02500	*STICKER	2

NOTE  
for limits

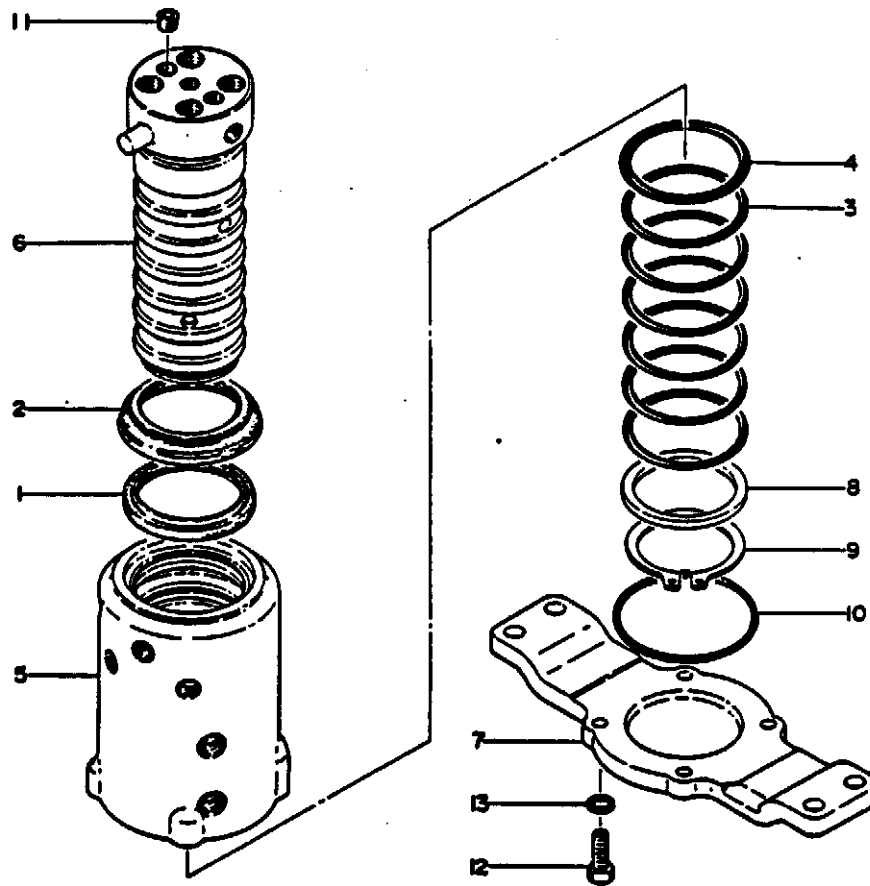
FIG.36 TOOLS



QTY	PARTS NUMBER	DESCRIPTION	REMARKS
1	61	TOOL SET, Engine	
1	1	*SPANNER	Y2B10-2200
1	2	*SPANNER	Y2B10-1700
1	3	*SPANNER	Y2B10-1000
1	4	*DRIVER	Y1600-0200
1	5	*FEEDER, Oil	Y2B10-0000
1	6	*WRENCH, Filter	Y1200-3200
1	62	TOOL SET	
1	7	*GUM, Grease	
1	8	*NOZZLE	
1	9	*HOSE	
1	10	*SPANNER	
1	11	*MONKEY WRENCH	
1	12	*PLIER	
1	13	*WRENCH, Hex	
1	14	*WRENCH, Hex	
1	15	*WRENCH, Hex	
1	16	*WRENCH, L-Type	
1	17	*PIPE	
1	18	*HAMMER	
1	19	*CASE, Tool	
3	20	*PIN, Cotter	
1	21	*LOCK, Cylinder	
1	22	*HOLDER, Key	
1	23	COUPLING	

QTY	PARTS NUMBER	DESCRIPTION	REMARKS
1	24	COUPLING	

FIG.37-1 SWIVEL JOINT



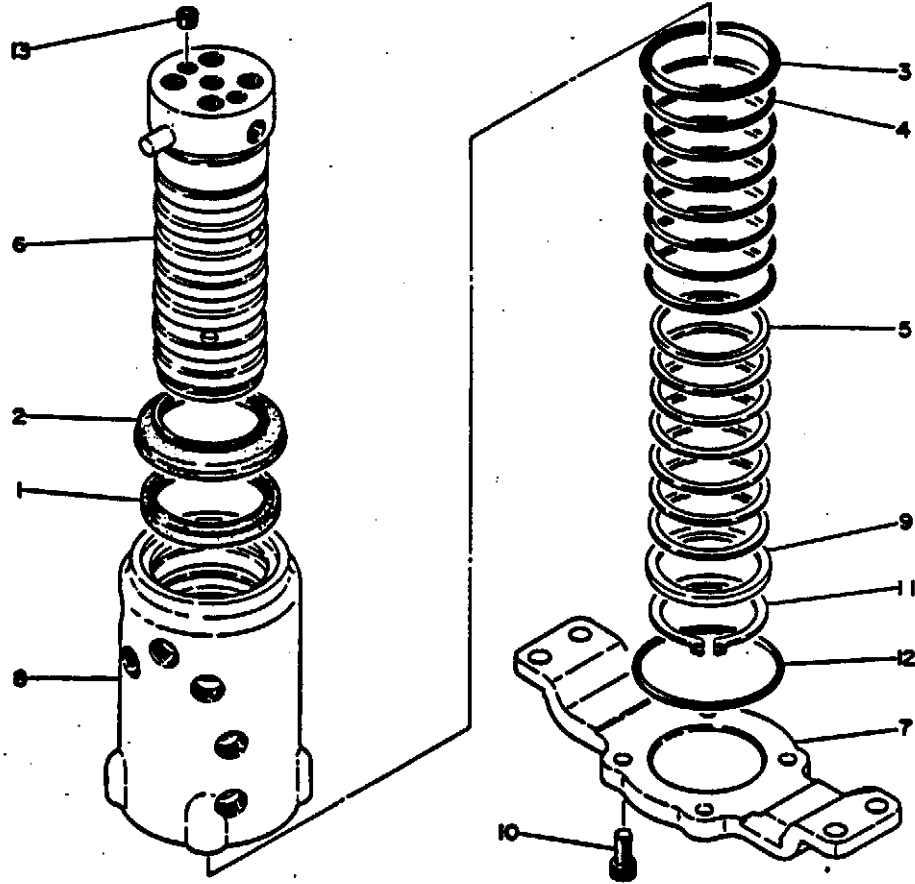
QTY	PARTS NUMBER	DESCRIPTION	QTY	REMARKS
01	19040-03300	JOINT ASSY. Swivel	1	
02	19040-02400	*KIT. Seal	1	
1	19040-00493	*SEAL. Dust	1	
2	19040-02391	*SEAL. Dust	1	
3	14201-10000	*O-RING	0	
4	14200-10000	*O-RING	1	
5	19040-01301	*HUB	1	
6	19040-02411	*SHAFT	1	
7	19040-02421	*FLANGE	1	
8	19040-00401	*SPACER	1	
9	19040-00493	*RING. Snap	1	
10	14201-11000	*O-RING	1	
11	15010-10002	*PLUG	2	
12	11000-51030	*BOLT	4	
13	11400-00010	*WASHER. Spring	4	

NOTE

END ~



FIG.37-2 SWIVEL JOINT

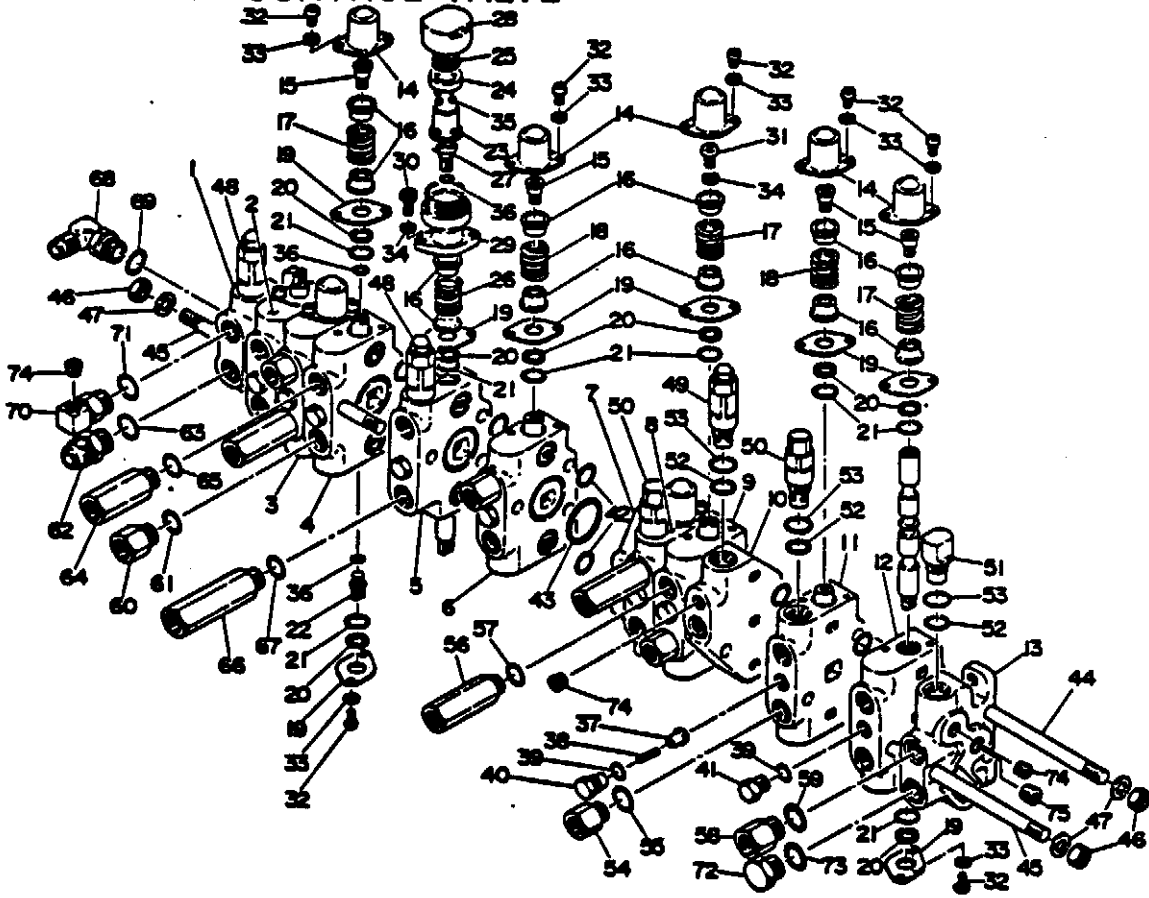


QTY	PARTS NUMBER	DESCRIPTION	REMARKS
1	19840-04100	JOINT ASSY. Swivel	1
1	19840-03999	WEIT. Seal	1
1	19840-00494	WESEAL Dust	1
1	19840-02391	WESEAL Dust	1
1	14200-10000	O-RING	1
7	14201-10050	O-RING	7
7	19840-03992	WESEAL Slipper	7
1	19840-04111	SHAPT	1
1	19840-02821	FLANGE	1
1	19840-04001	HUB	1
1	19840-00491	SPACER	1
4	11100-51028	BOLT. Socket	4
1	19840-00453	ORING Snap	1
1	14201-11000	O-RING	1
2	15010-10002	PLUG	2

NOTE

372 -

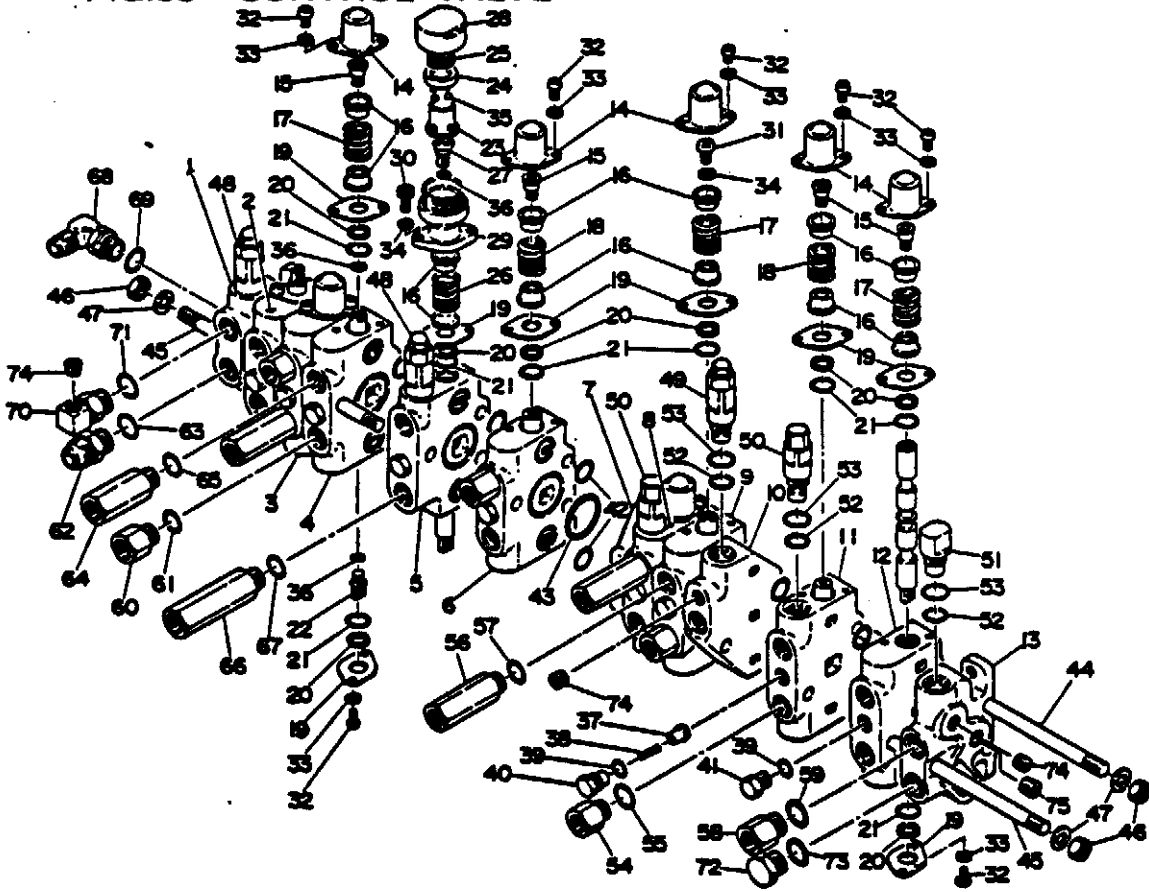
FIG.38 CONTROL VALVE



QTY	PARTS NUMBER	DESCRIPTION	QTY	REMARKS
1	19010-11700	VALVE ASSY. Control	1	8 -825
1	19010-12700	VALVE ASSY. Control	1	825 ~
1	19010-00101	HOUSING, Inlet	1	
1	19010-03214	BLOCK ASSY. Bucket	1	
1	19010-03014	BLOCK ASSY. Nm & Sing	1	
1	19010-07116	BLOCK ASSY. Trestle (L.S)	1	
1	19010-11419	BLOCK ASSY. Insulation	1	
1	19010-07210	BLOCK ASSY. Arm	1	
1	19010-06304	HOUSING, Outlet	1	
1	19010-06311	BLOCK ASSY. Boom	1	
1	19010-02313	BLOCK ASSY. Blade	1	
1	19010-02302	HOUSING, Inlet	1	
1	19010-07212	BLOCK ASSY. Arm	1	
1	19010-02517	BLOCK ASSY. Trestle (R.S)	1	
1	19010-02001	HOUSING, Inlet	1	
1	19010-00161	COVER	1	
7	19010-02531	END, Spool	7	
10	19010-00151	HOLDER, Spring	10	
6	19010-00156	SPRING	6	
2	19010-05750	SPRING	2	
10	19010-00141	HOLDER, Seal	10	
10	14212-00100	RING, Back-Up	10	
10	14200-00160	O-RING	10	
1	19010-02033	HEAD, Spool	1	
NOTE 8180 ~ for all except Frame & Saddle				
8120 ~ for Frame & Saddle				

QTY	PARTS NUMBER	DESCRIPTION	QTY	REMARKS
1	19010-00157	RETAINER	1	
1	19010-00194	RETAINER	1	
1	19010-11450	SPRING	1	
1	19010-11450	SPRING	1	8 -825
1	19010-10950	SPRING	1	825 ~
1	19010-11491	GUIDE, Detent	1	8 -825
1	19010-11491	GUIDE, Detent	1	825 ~
1	19010-00190	CAP	1	
1	19010-11493	CASE, Detent	1	
2	11100-40010	BOLT, Socket	2	
1	11205-40014	SCREW, Pan-Head	1	
3	11205-30012	SCREW, Pan-Head	3	
3	11400-20000	WASHER, Spring	3	
1	11411-20000	WASHER, Spring	1	
4	13000-10300	BALL	4	
3	14200-00070	O-RING	3	
6	19010-00166	PLUNGER, Check	6	
6	19010-00157	SPRING	6	
9	14200-10110	O-RING	9	
6	15135-00001	PLUG	6	
3	15135-00005	PLUG	3	
2	14203-10010	O-RING	2	
12	14203-10030	O-RING	12	
2	19010-06306	TIE ROD	2	
NOTE 8180 ~ for all except Frame & Saddle				
8120 ~ for Frame & Saddle				

FIG.38 CONTROL VALVE

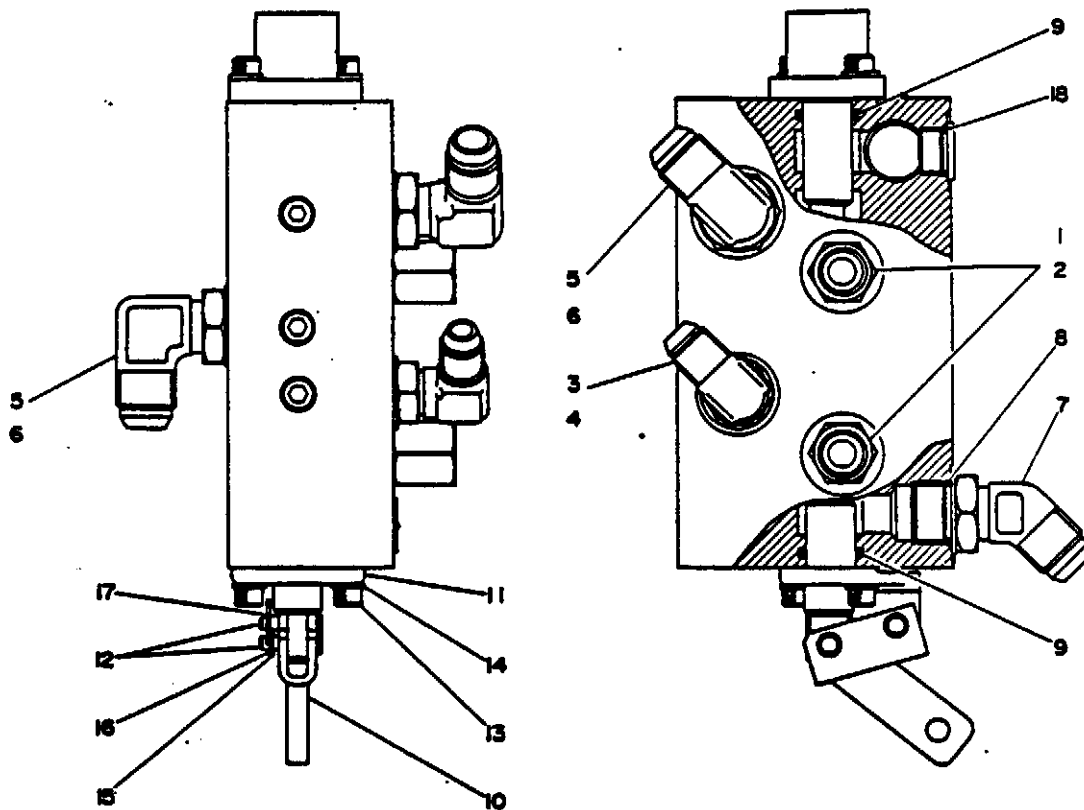


QTY	PARTS NUMBER	DESCRIPTION	QTY	REMARKS	QTY	PARTS NUMBER	DESCRIPTION	QTY	REMARKS
2	19910-06307	WTIS ROD	2		1	14203-10900	O-RING	1	
6	11207-40012	NUT	6		1	15132-00433	ELBOW 90°	1	
6	11411-10012	WASHER, Flat	6		1	14203-10910	O-RING	1	
2	19910-00063	VALVE, Relief	2	S - 025	1	15135-00006	ADAPTOR	1	
2	19910-00063	VALVE, Relief	2	025 -	1	14203-10910	O-RING	1	
1	19910-00066	VALVE, Relief	1	S - 025	1	15135-00002	PLUG	1	
1	19910-00064	VALVE, Relief	1	025 -	1	14203-10910	O-RING	1	
2	19910-00053	VALVE, Overload	2		3	15018-10002	PLUG	3	
1	15135-00004	PLUG	1		2	15018-10003	PLUG	2	
6	14200-10100	O-RING	6						
6	14200-10220	O-RING	6						
4	15131-00001	ADAPTOR	4						
1	14203-10900	O-RING	1						
3	15131-00002	ADAPTOR	3						
1	14203-10900	O-RING	1						
1	15131-00003	ADAPTOR	1						
1	14203-10910	O-RING	1						
1	15131-00008	ADAPTOR	1						
1	14203-10900	O-RING	1						
1	15131-00009	ADAPTOR	1						
1	14203-10910	O-RING	1						
1	15131-00019	ADAPTOR	1						
1	14203-10900	O-RING	1						
1	15131-00022	ADAPTOR	1						

NOTE  
 0100 - for all except Press & Seals  
 0120 - for Press & Seals  
 Item 0-1, 25, 27, 40, 41... 0100 ~ 0120 for all except Press & Seals  
 0120 ~ 0125 for Press & Seals

71

FIG.39-1 SELECTOR VALVE



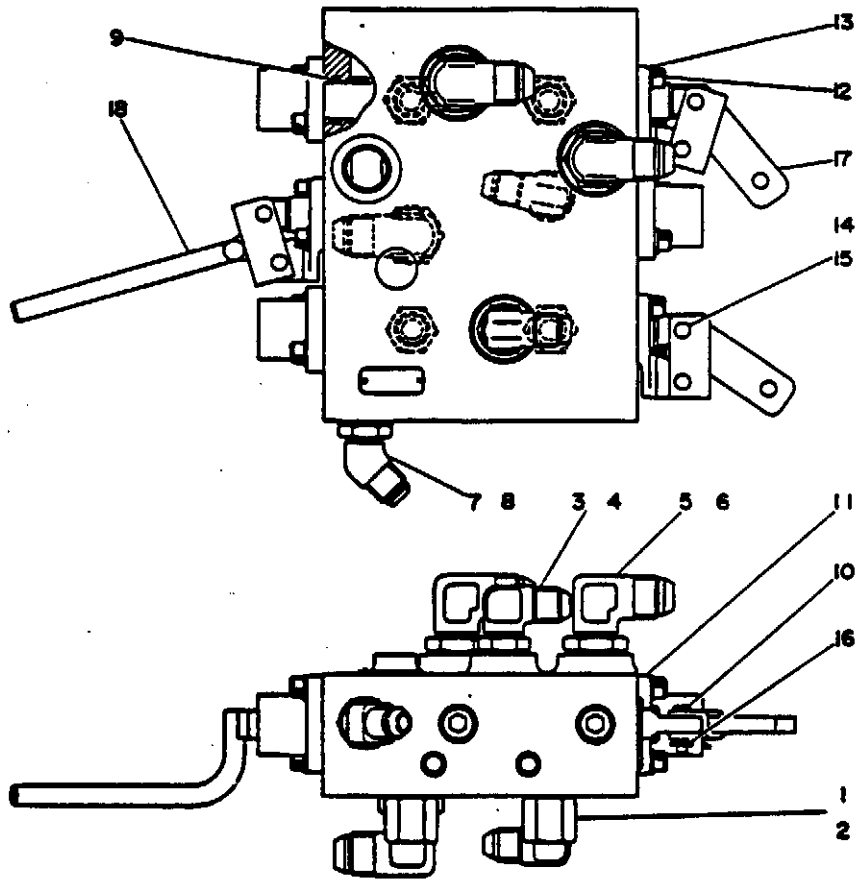
QTY	PARTS NUMBER	DESCRIPTION	QTY	REMARKS
Q1	19017-00000	VALVE Selector	1	
1	15121-00001	ADAPTOR	2	
2	14203-10908	O-RING	1	
3	15153-00333	ELBOW, 90°	1	
4	14203-10908	O-RING	1	
5	15152-00433	ELBOW, 90°	2	
6	14203-10910	O-RING	1	
7	15153-01434	ELBOW, 90°	1	
8	14203-10910	O-RING	1	
9	14200-00180	O-RING	2	
10	14330-20005	LINK Lever	1	
11	14330-20011	BRACKET	1	
12	00040-05117	PIN	2	
13	11100-40610	BOLT, Socket	2	
14	11400-20006	WASHER, Spring	2	
15	11411-10005	WASHER, Plate	1	
16	12100-01210	PIN, Split	1	
17	12140-00004	PIN, Snap	1	
18	14200-10140	O-RING	1	

NOTE

W100 ~ for all except France & Sweden

W120 ~ W220 for France & Sweden

FIG.39-2 SELECTOR VALVE

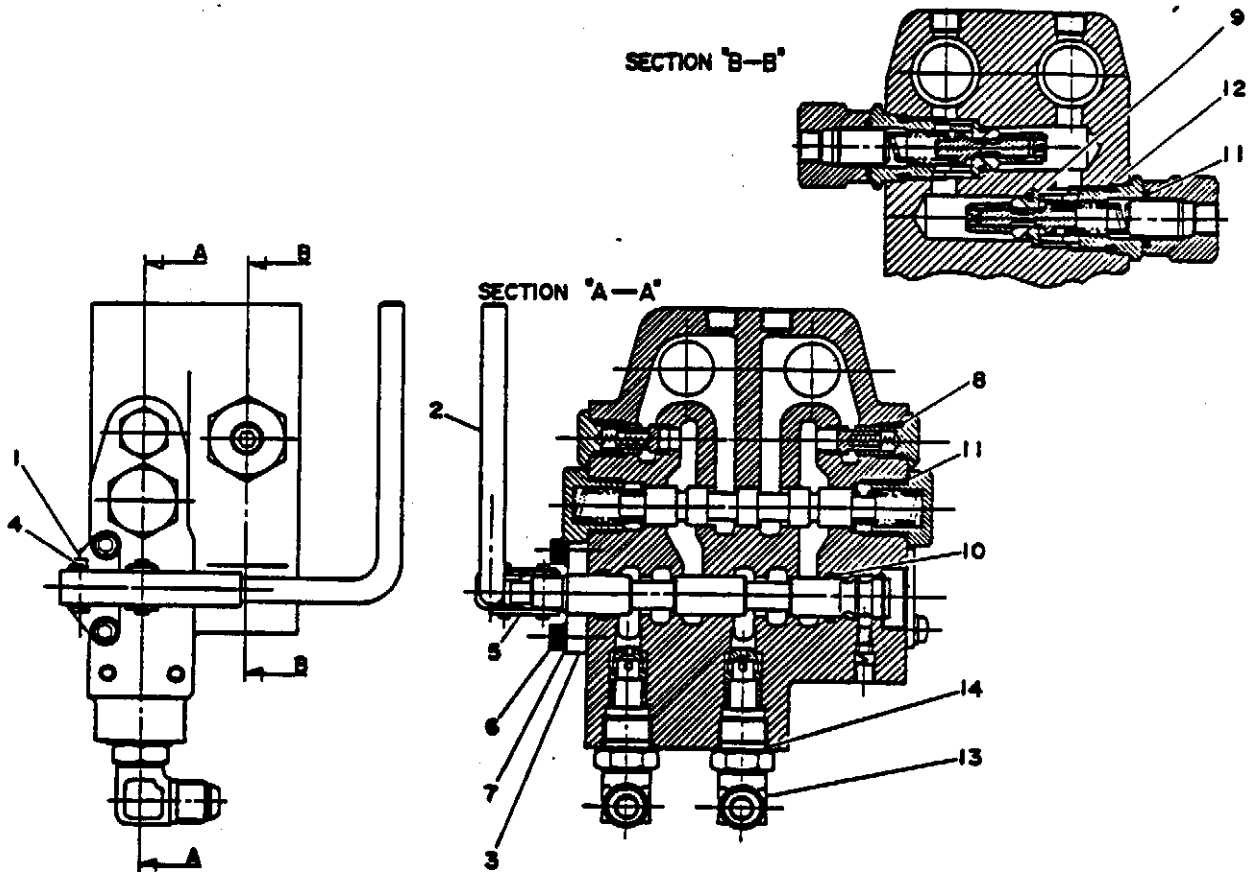


QTY	PARTS NUMBER	DESCRIPTION	QTY	REMARKS
Q1	19817-05900	VALVE, Selector	1	
1	15131-00001	*ADAPTOR	4	
2	14203-10908	*O-RING	1	
3	15152-00333	*ELBOW, 90°	2	
4	14203-10908	*O-RING	1	
5	15152-00433	*ELBOW, 90°	3	
6	14203-10910	*O-RING	1	
7	15153-01334	*ELBOW, 45°	1	
8	14203-10908	*O-RING	1	
9	14200-00100	*O-RING	6	
10	08640-05117	*PIN	6	
11	14330-20011	*BRACKET	3	
12	11100-40610	*BOLT, Socket	6	
13	11400-20000	*WASHER, Spring	6	
14	11411-10005	*WASHER, Plain	3	
15	12100-01210	*PIN, Split	3	
16	12140-00004	*PIN, Snap	3	
17	14330-30005	*LINK, Lever	2	
18	14330-10026	*LEVER	1	

NOTE

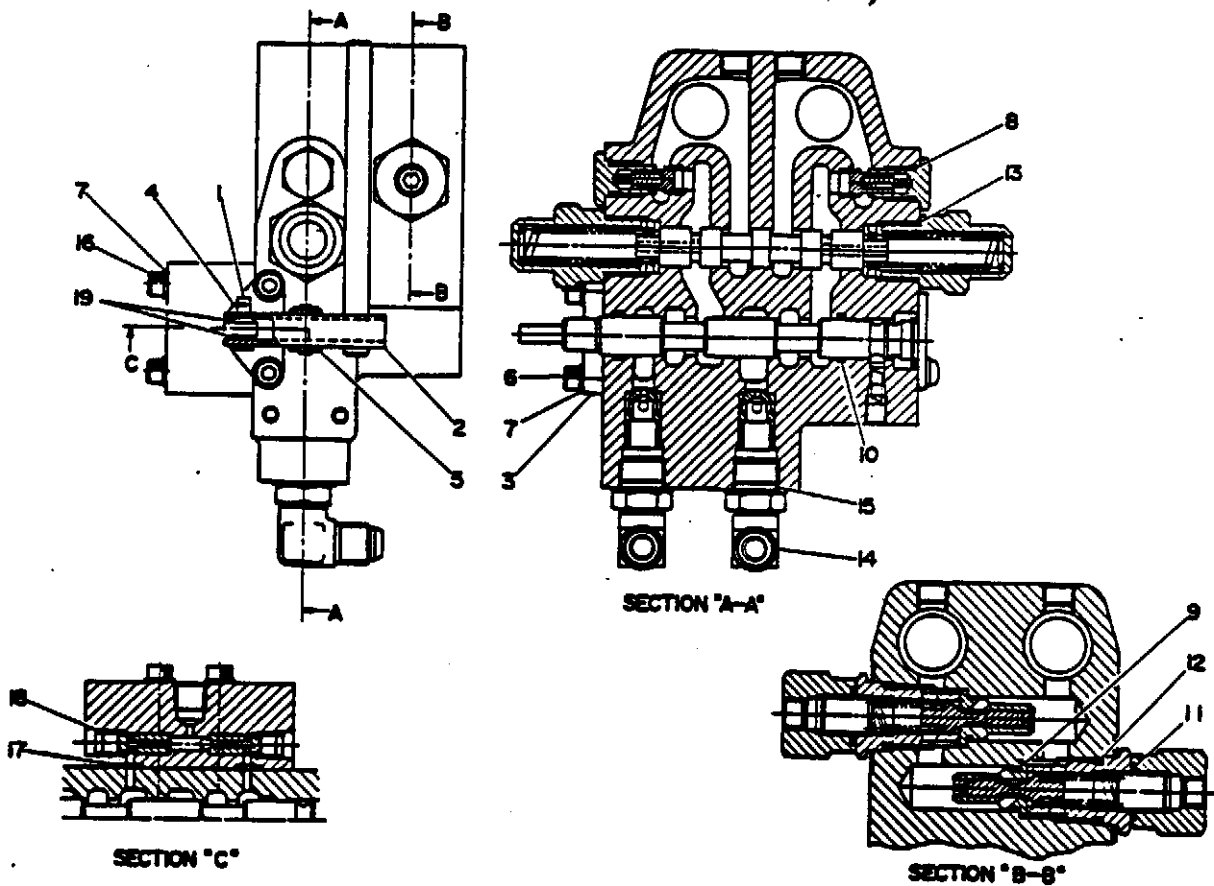
825 - for Frisco & Scales

FIG.40-1 S.&B. UALVE



QTY	PARTS NUMBER	DESCRIPTION	QTY	REMARKS
01	19017-02500	VALVE, S. B.	1	Ø21-
1	90040-05117	ØPIN	1	
2	14330-10010	ØLEVER	1	Ø21-
3	14330-20010	ØBRACKET, Lever	1	
4	12140-00004	ØPIN, Snap	1	
5	16200-50050	ØLINK, Joint	1	
6	11100-50010	ØBOLT, Socket	2	
7	11400-10000	ØWASHER, Spring	2	
8	14200-10110	ØO-RING	2	
9	14200-10140	ØO-RING	2	
10	14200-10160	ØO-RING	2	
11	14200-10200	ØO-RING	4	
12	14200-10220	ØO-RING	2	
13	15152-00333	ØELBOW, 90	2	
14	14200-10000	ØO-RING	2	

FIG.40-2 S.&B. VALVE

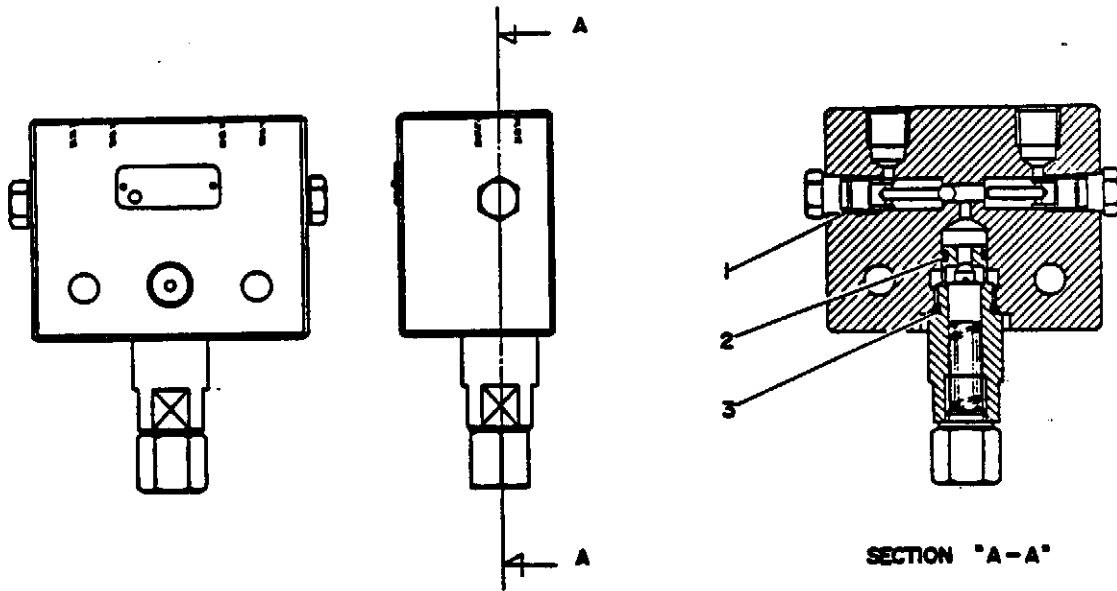


QTY	PARTS NUMBER	DESCRIPTION	QTY	REMARKS
Q1	19017-00000	VALVE, S. & B.	1	
1	00040-05117	ØPIN	1	
2	14330-10025	ØLEVER	1	
3	14330-20012	ØBRACKET	1	
4	12140-00004	ØPIN, Snap	1	
5	16200-50050	ØLINK, Joint	1	
6	11100-50010	ØBOLT, Socket	2	
7	11400-10006	ØWASHER, Spring	6	
8	14200-10110	ØO-RING	2	
9	14200-10140	ØO-RING	2	
10	14200-00160	ØO-RING	2	
11	14200-10200	ØO-RING	2	
12	14200-10221	ØO-RING	2	
13	14200-10210	ØO-RING	2	
14	15152-00333	ØELBOW, 90°	2	
15	14203-10000	ØO-RING	1	
16	11100-50045	ØBOLT, Socket	4	
17	14200-10070	ØO-RING	2	
18	14200-10080	ØO-RING	2	
19	11411-10005	ØWASHER, Plain	2	

NOTE

RTS - for Stock & Repair

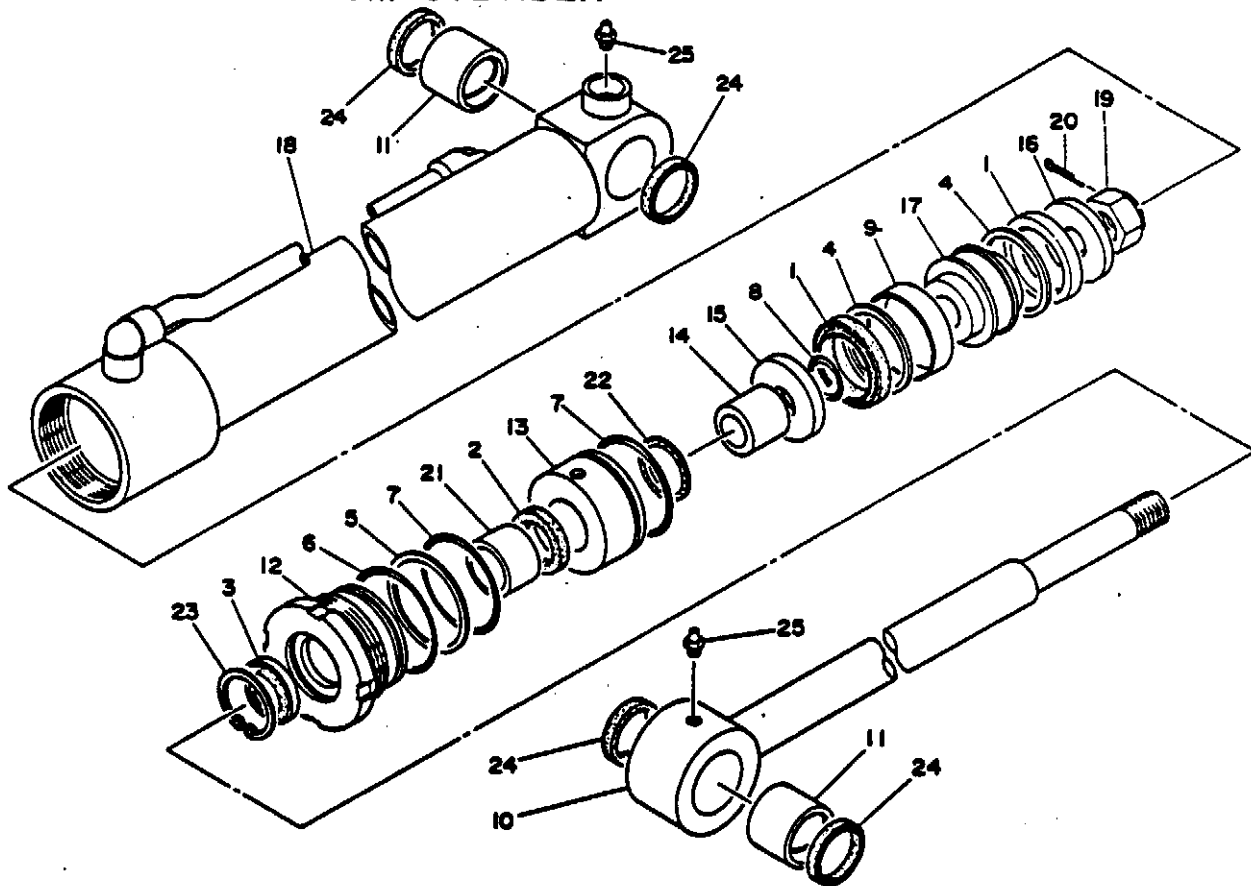
FIG.41 SHUTTLE & RELIEF VALVE



QTY	PARTS NUMBER	DESCRIPTION	QTY	REMARKS
01	19017-05200	VALVE, Shuttle & Relief	1	
1	14200-10000	O-RING	2	
2	14200-10100	O-RING	1	
3	14200-10100	O-RING	1	

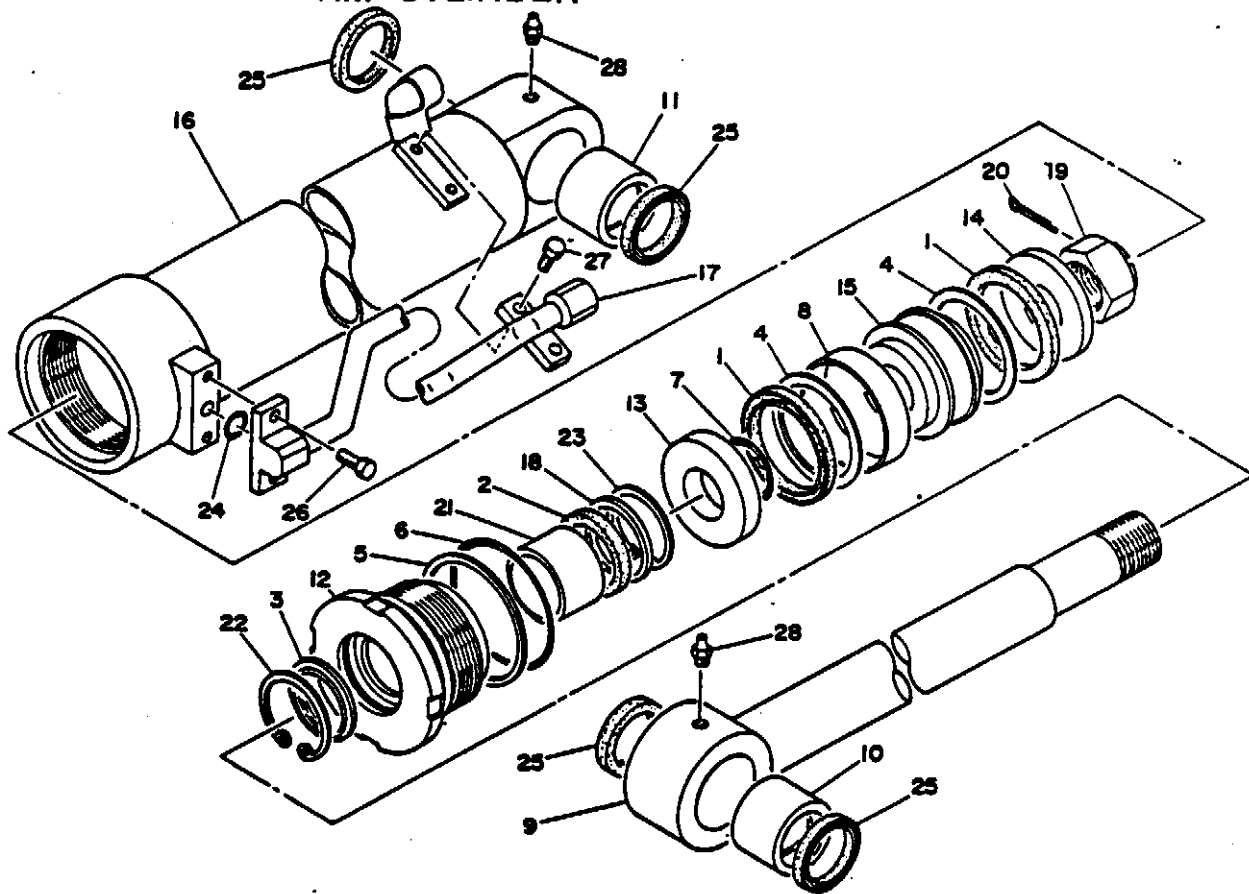


FIG.42 BOOM CYLINDER



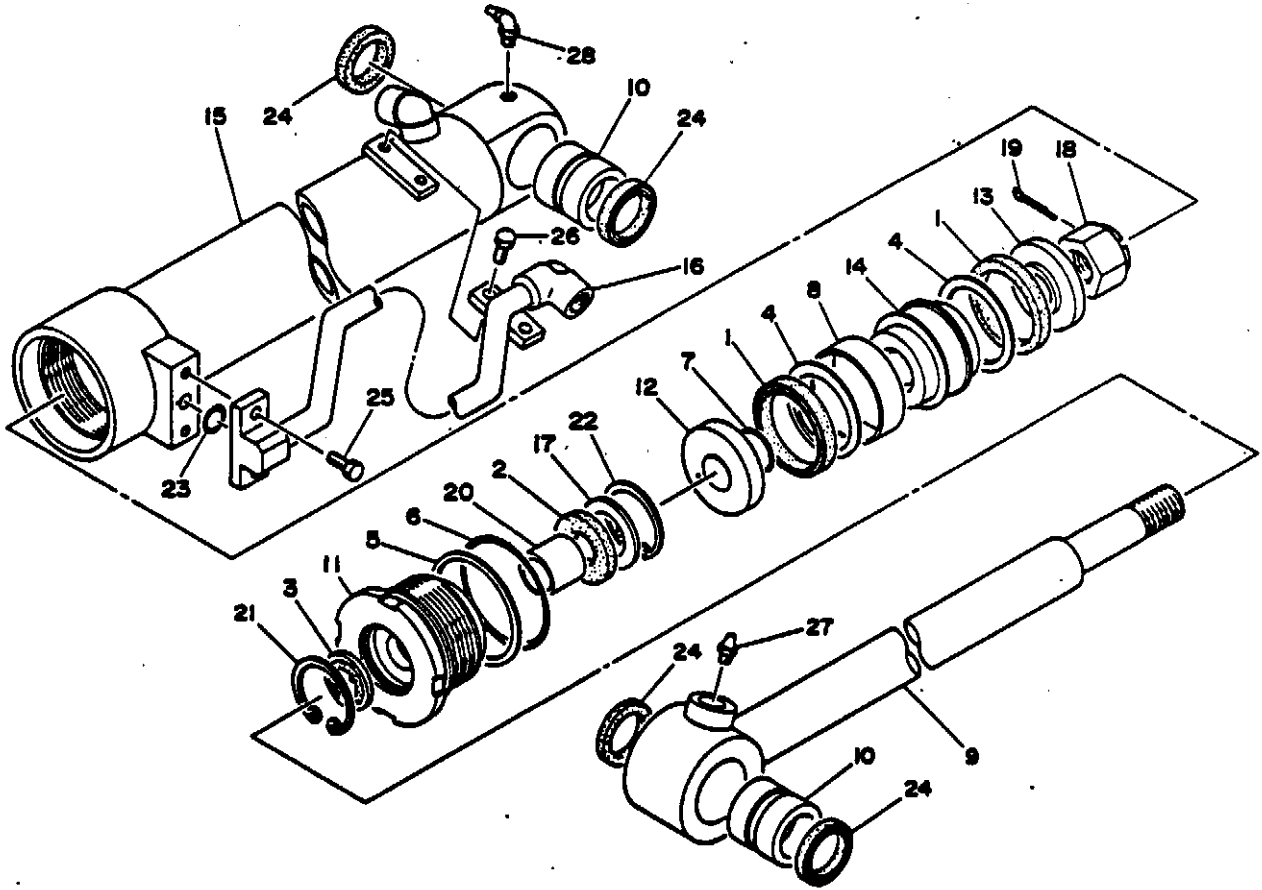
QTY	PARTS NUMBER	DESCRIPTION	QTY	REMARKS	QTY	PARTS NUMBER	DESCRIPTION	QTY	REMARKS
1	19000-11800	CYLINDER ASSY (R. H)	1		2	14300-00040	*SEAL Cushion	1	
1	19000-11800	CYLINDER ASSY (L. H)	1		2	12210-00052	*RING Snap	1	
1	19000-11899	*KIT: Seal	1		2	14322-00040	*SEAL Dust	4	
2	14100-05500	*PACKING Piston	2		2	15600-01000	*NIPPLE Grease	2	
1	14100-35500	*PACKING Rod	1						
1	14111-00035	*SEAL Dust	1						
2	14212-00700	*RING Back-up	2						
1	14211-30700	*RING Back-up	1						
1	14201-00750	*O-RING	1						
2	14201-10700	*O-RING	2						
1	14200-10240	*O-RING	1						
1	14107-00516	*RING Wear	1						
1	19000-11801	*ROD Piston	1						
2	19000-03720	*BUSHING	2						
1	19000-11803	*COVER Rod	1						
1	19000-11804	*RETAINER	1						
1	19000-11805	*CUSHION Rod	1						
1	19000-11800	*HOLDER Packing	1						
1	19000-11855	*HOLDER Packing	1						
1	19000-11806	*PISTON	1						
1	19000-11807	*TUBE (R. H)	1						
1	19000-11807	*TUBE (L. H)	1						
1	19000-00300	*NUT	1						
1	12100-00545	*PIN Cotter	1						
1	13330-03530	*BUSHING	1						

FIG.43 ARM CYLINDER



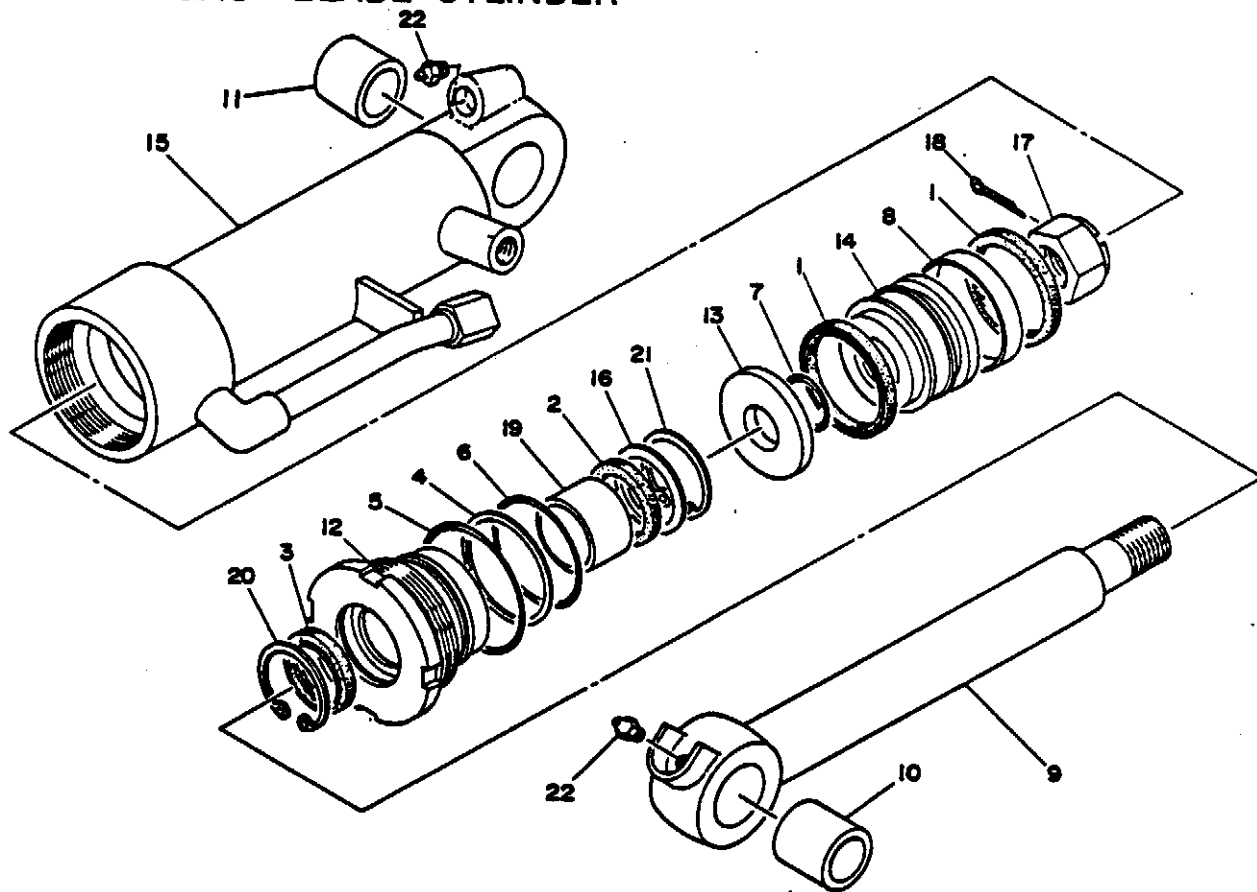
Qty	PARTS NUMBER	DESCRIPTION	REMARKS	Qty	PARTS NUMBER	DESCRIPTION	REMARKS
1	19000-12100	CYLINDER ASSY		1	21	14200-10160	O-RING
1	19000-12100	Kit, Seal		1	25	14322-00045	SEAL Dust
2	14100-03700	PACKING, Piston		2	26	11000-50020	BOLT
1	14105-50050	PACKING, Rod		2	27	11000-50015	BOLT
1	14111-00050	SEAL, Dust		2	28	15600-01000	NIPPLE, Grease
2	14212-00000	RING, Back-up					
1	14211-30950	RING, Back-up					
1	14201-10950	O-RING					
1	14200-10300	O-RING					
1	14107-00520	RING, Wear					
1	19000-12101	ROD, Piston					
1	19000-12102	BUSHING					
1	19000-12120	BUSHING					
1	19000-12103	COVER, Rod					
1	19000-12150	HOLDER, Packing					
1	19000-12155	HOLDER, Packing					
1	19000-12106	PISTON					
1	19000-12107	TUBE					
1	19000-12110	PIPE					
1	19000-12108	PACKING HOLDER, Rod					
1	19000-12109	NUT					
1	12100-00665	PIN, Collar					
1	13330-05040	BUSHING					
1	12210-00060	RING, Snap					
1	12210-00065	RING, Snap					

FIG.44 BUCKET CYLINDER



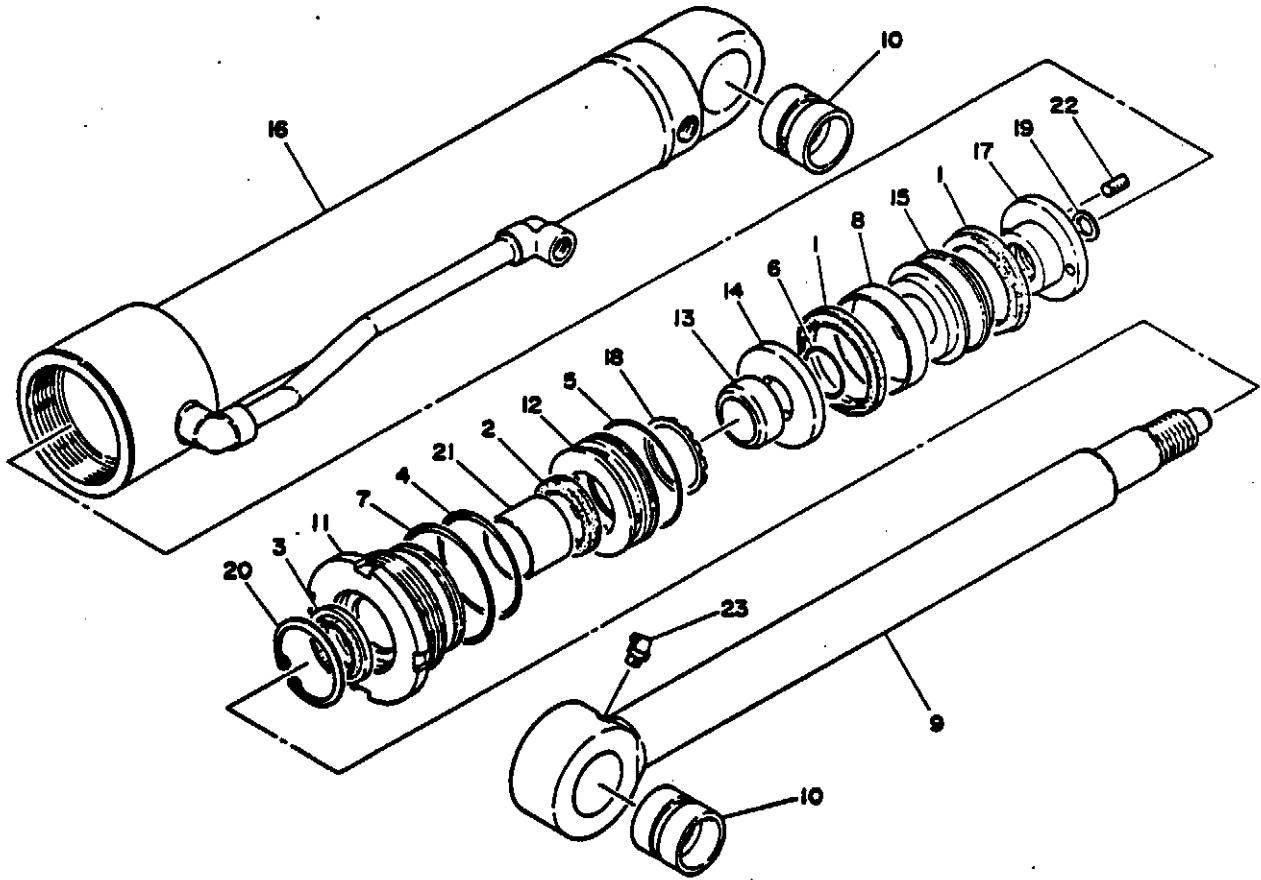
QTY	PARTS NUMBER	DESCRIPTION	QTY	REMARKS	QTY	PARTS NUMBER	DESCRIPTION	QTY	REMARKS
1	19000-12000	CYLINDER ASSY	1		4	14222-00035	SEAL Dust	4	
1	19000-05100	KIT Seal	1		2	11000-50020	BOLT	2	
2	14000-70550	PACKING Piston	2		2	11000-50015	BOLT	2	
1	14100-40550	PACKING Rod	1		1	15600-01000	NIPPLE Grease	1	
1	14111-00040	SEAL Dust	1		1	15600-01900	NIPPLE Grease	1	
2	14212-00400	RING Back-up	2						
1	14211-30600	RING Back-up	1						
1	14201-10000	O-RING	1						
1	14200-10200	O-RING	1						
1	14107-07020	RING Wear	1						
1	19000-12001	ROD Piston	1						
2	19000-12002	BUSHING	2						
1	19000-12003	COVER Rod	1						
1	19000-05150	HOLDER Packing	1						
1	19000-03155	HOLDER Packing	1						
1	19000-05100	PISTON	1						
1	19000-12007	TUBE	1						
1	19000-12010	PIPE	1						
1	19000-00500	PACKING HOLDER Rod	1						
1	19000-00509	NUT	1						
1	12100-00550	PIN Cotter	1						
1	13330-04030	BUSHING	1						
1	12210-00050	RING Snap	1						
1	12210-00055	RING Snap	1						
1	14200-10100	O-RING	1						

FIG.45 BLADE CYLINDER



QTY	PARTS NUMBER	DESCRIPTION	QTY	REMARKS	QTY	PARTS NUMBER	DESCRIPTION	QTY	REMARKS
01	19000-12400	CYLINDER ASSY (R. H)	1	#21~	2	15600-01000	WIPPLE Grease	2	
02	19000-12500	CYLINDER ASSY (L. H)	1	#21					
03	19000-12200	WKIT, Seal	1						
1	14100-70000	WU-RING	2						
2	14110-00040	WU-RING	1						
3	14111-00040	WSEAL, Dust	1						
4	14211-30700	WRING, Back-up	1						
5	14201-10700	WO-RING	1						
6	14201-10800	WO-RING	1						
7	14200-10200	WO-RING	1						
8	14107-07011	WRING, Wear	1						
9	19000-12401	WROD, Piston	1	#21~					
10	19000-02022	WBUSHING	1						
11	19000-09920	WBUSHING	1						
12	19000-12203	WCOVER, Rod	1						
13	19000-00200	WHOLDER, Packing	1						
14	19000-12206	WPISTON	1						
15	19000-12207	WTUBE (R. H)	1						
15-1	19000-12307	WTUBE (L. H)	1						
16	19000-00200	WPACKING HOLDER, Rod	1						
17	19000-12400	WNUT	1						
18	12100-00555	WPIN, Collar	1						
19	13330-04030	WBUSHING	1						
20	12210-00050	WRING, Soap	1						
21	12210-00055	WRING, Soap	1						

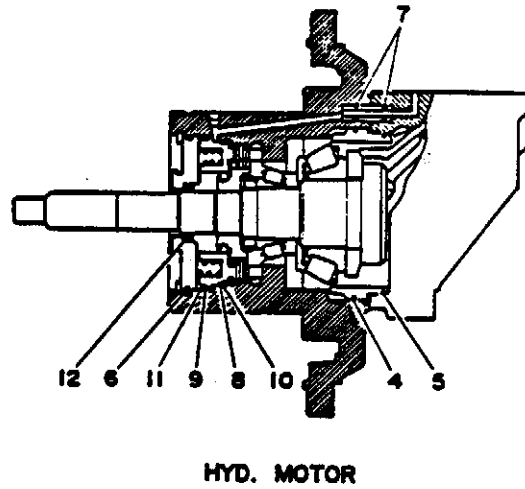
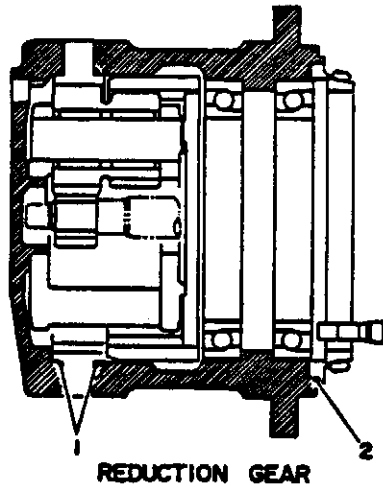
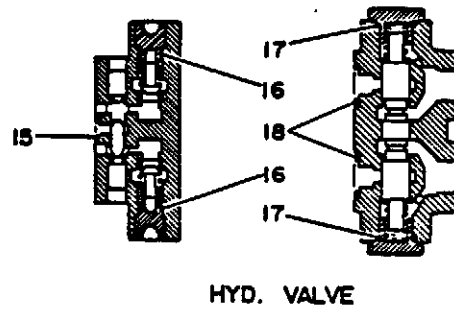
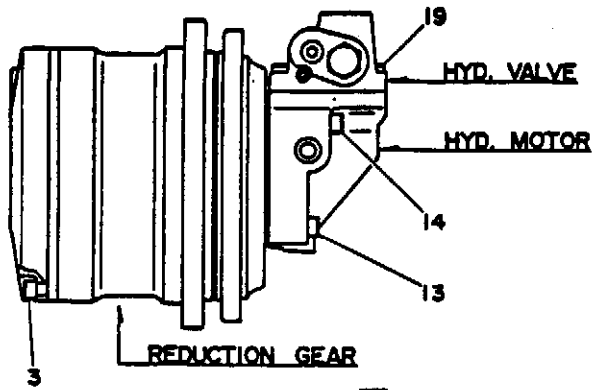
FIG.46 SWING CYLINDER



QTY	PARTS NUMBER	DESCRIPTION	QTY	REMARKS
01	19000-00100	CYLINDER ASSY	1	
02	19000-00100	*KIT, Seal	1	
1	14100-00050	*PACKING, Piston	2	
2	14110-00045	*PACKING, Rod	1	
3	14111-00045	*SEAL, Dust	1	
4	14200-10750	*O-RING	1	
5	14201-10000	*O-RING	1	
6	14201-10350	*O-RING	1	
7	14201-10900	*O-RING	1	
8	14107-00017	*RING, Wear	1	
9	19000-00101	*ROD, Piston	1	
10	19000-00102	*BUSHING	2	
11	19000-00103	*COVER, Rod	1	
12	19000-00104	*RETAINER	1	
13	19000-00105	*CUSHION, Rod	1	
14	19000-00135	*HOLDER, Packing	1	
15	19000-00106	*PISTON	1	
16	19000-00107	*TUBE	1	
17	19000-00109	*NUT	1	
18	14300-00050	*SEAL, Cushion	1	
19	14300-00020	*SEAL, Cushion	1	
20	12210-00063	*RING, Snap	1	
21	13330-04540	*BUSHING	1	
22	12210-50010	*SET, Screw	1	
23	15600-01900	*NIPPLE, Grease	1	

1909 784 8423

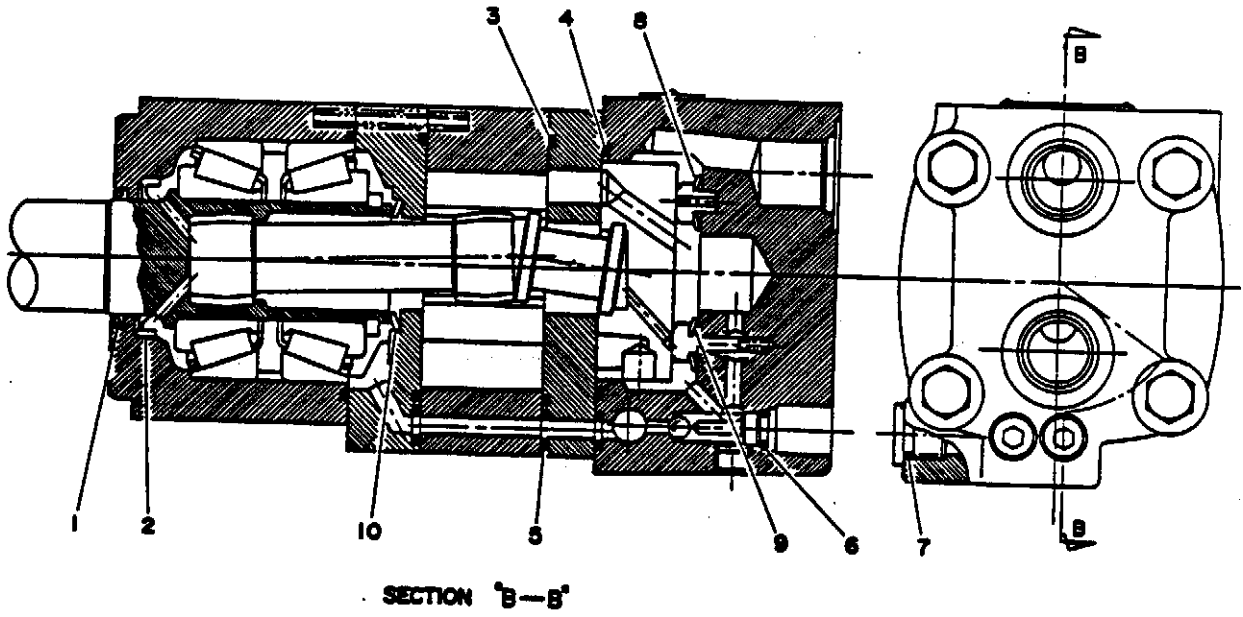
FIG.47 TRACTION MOTOR



QTY	PARTS NUMBER	DESCRIPTION	REMARKS
1	19030-03900	MOTOR ASSY	1
1	19120-00500	*REDUCTION	1
1	19120-00599	**KIT. Seal	1
2	14203-10165	***O-RING	2
1	14203-10168	***O-RING	1
2	11000-41040	**BOLT. Socket	2
1	19030-04700	*MOTOR ASSY	1
1	19030-04799	**KIT. Seal	1
1	14201-10950	***O-RING	1
1	14201-10980	***O-RING	1
1	14203-10043	***O-RING	1
2	14200-00070	***O-RING	2
1	14203-10042	***O-RING	1
1	14203-10043	***O-RING	1
1	14212-01200	**RING Back-up	1
1	14212-01300	**RING Back-up	1
1	19030-04733	***SEAL. Oil	1
2	11000-41045	**BOLT. Socket	2
2	11000-41085	**BOLT. Socket	2
1	19018-00700	*VALVE	1
1	19018-00799	**KIT. Seal	1
1	14200-10090	***O-RING	1
2	14200-10110	***O-RING	2
2	14200-10190	***O-RING	2
2	14200-10210	***O-RING	2

QTY	PARTS NUMBER	DESCRIPTION	REMARKS
1	11000-40025	*BOLT. Socket	1

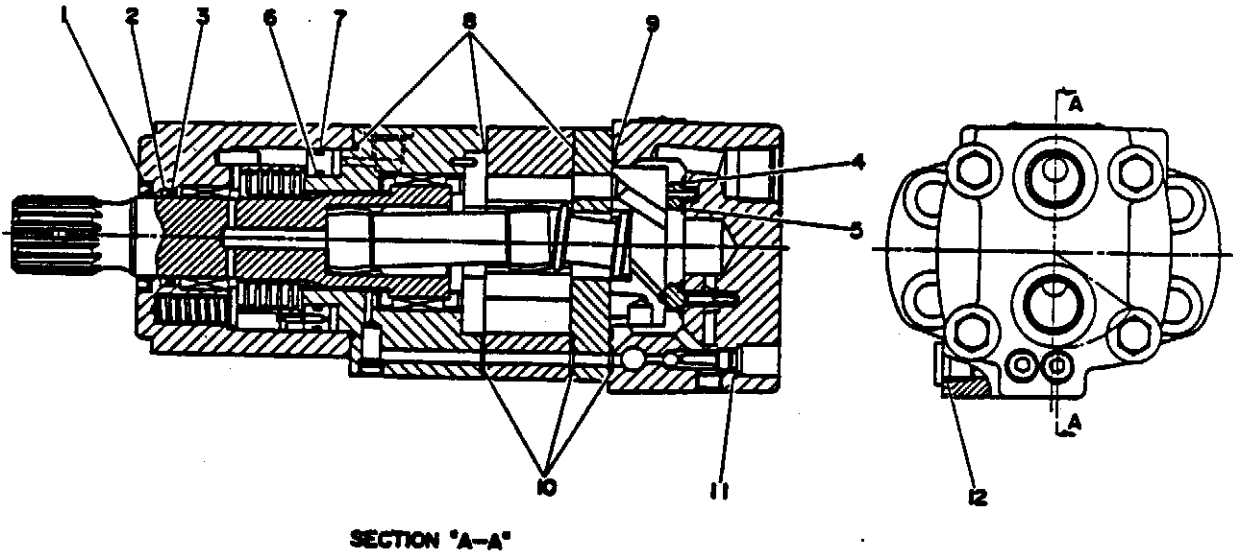
FIG.48-1 SLEW MOTOR



QTY	PARTS NUMBER	DESCRIPTION	QTY	REMARKS
01	19830-04100	MOTOR ASSY	1	
02	19830-01799	KIT. Seal	1	
1	*****	SEAL Dust	1	
2	*****	SEAL Oil	1	
3	14203-10041	O-RING	3	
4	14203-10038	O-RING	1	
5	14203-00011	O-RING	3	
6	14203-00003	O-RING	2	
7	14200-00110	O-RING	1	
8	*****	SEAL Outer	1	
9	*****	SEAL Inner	1	
10	*****	SEAL Shaft	1	

NOTE  
for all items Refer to Section

FIG.48-2 SLEW MOTOR



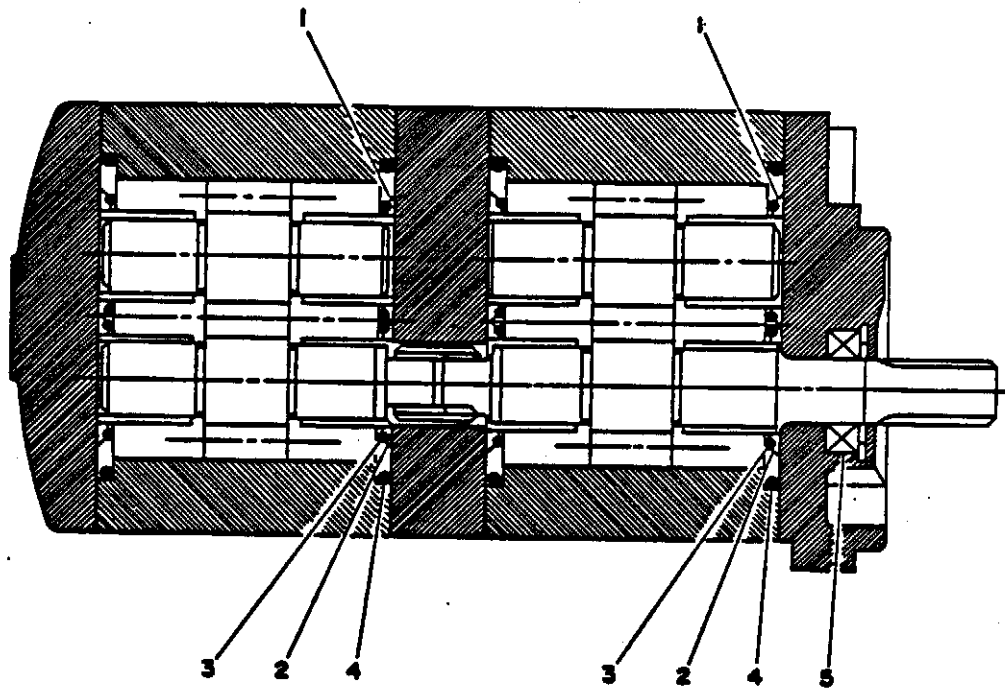
QTY	PARTS NUMBER	DESCRIPTION	QTY	REMARKS
1	19838-06886	MOTOR ASSY	1	
1	19838-05499	*KIT. Seal	1	
1	*****	*SEAL Dust	1	
1	*****	*RING Back-up	1	
1	*****	*X-RING	1	
1	*****	*SEAL Outer	1	
1	*****	*SEAL Inner	1	
1	*****	*O-RING	1	
1	*****	*O-RING	1	
2	*****	*O-RING	2	
1	*****	*O-RING	1	
3	*****	*O-RING	3	
2	*****	*O-RING	2	
1	*****	*O-RING	1	

NOTE

SITS - For Survey & Sights



FIG.49 HYDRAVIC PUMP, MAIN



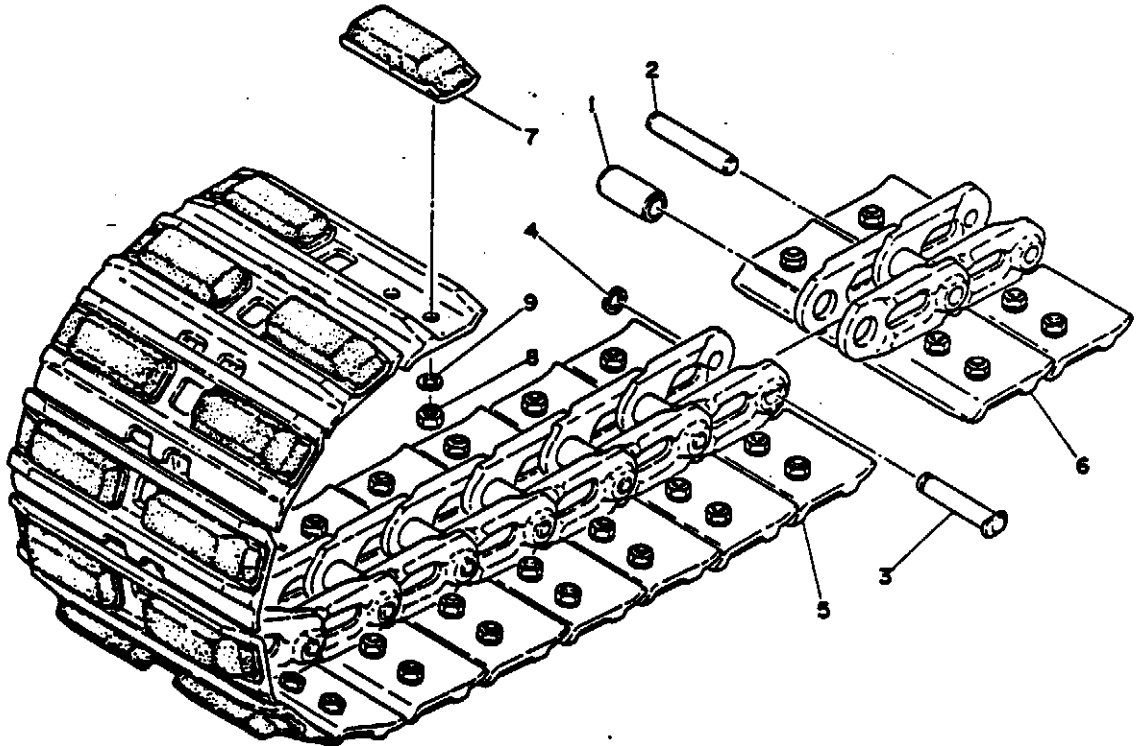
QTY	PARTS NUMBER	DESCRIPTION	QTY	REMARKS
1	19020-04100	PUMP ASSY	1	
1	19020-01199	KIT, Seal	1	
4	*****	ORING, Packing (L. ID)	4	
4	*****	ORING, Packing (L. ID)	4	
4	*****	ORSEAL, Bushing	4	
4	*****	ORSEAL, Body	4	
1	*****	ORSEAL, Oil	1	

NOTE

8137 -

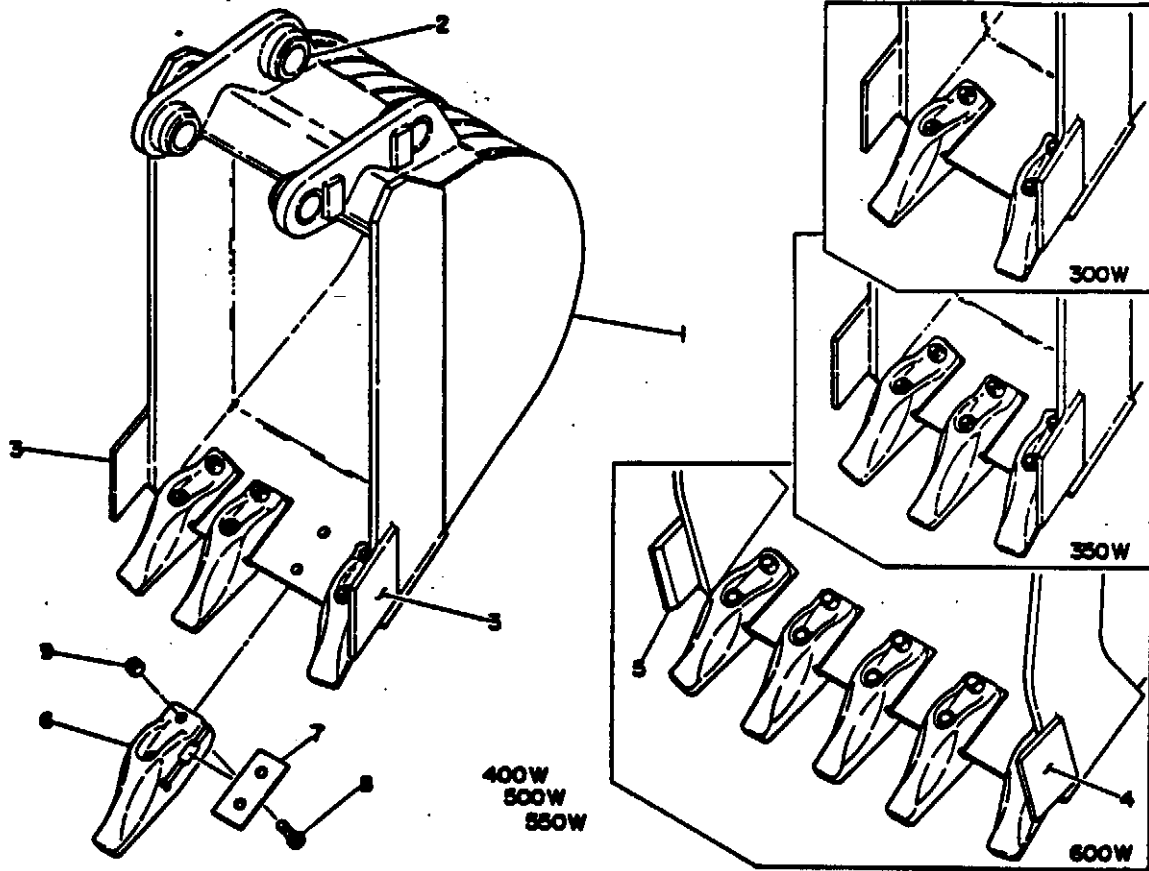


FIG.51 RUBBER SHOE



QTY	PARTS NUMBER	DESCRIPTION	QTY	REMARKS
01	19140-31100	SHOE ASSY. Track	2	
1	19140-08205	BUSHING	4	
2	19140-08209	PIN Track	4	
3	19140-14008	PIN Master	1	
4	12255-26019	SPIRO-LOX	1	
5	19140-31114	PLATE ASSY. Master	1	
6	19140-31113	PLATE ASSY	4	
7	19140-31015	SHOE Rubber	2	
8	11300-50012	NUT	24	
9	11415-00012	WASHER. Plate	24	

FIG.52 BUCKET



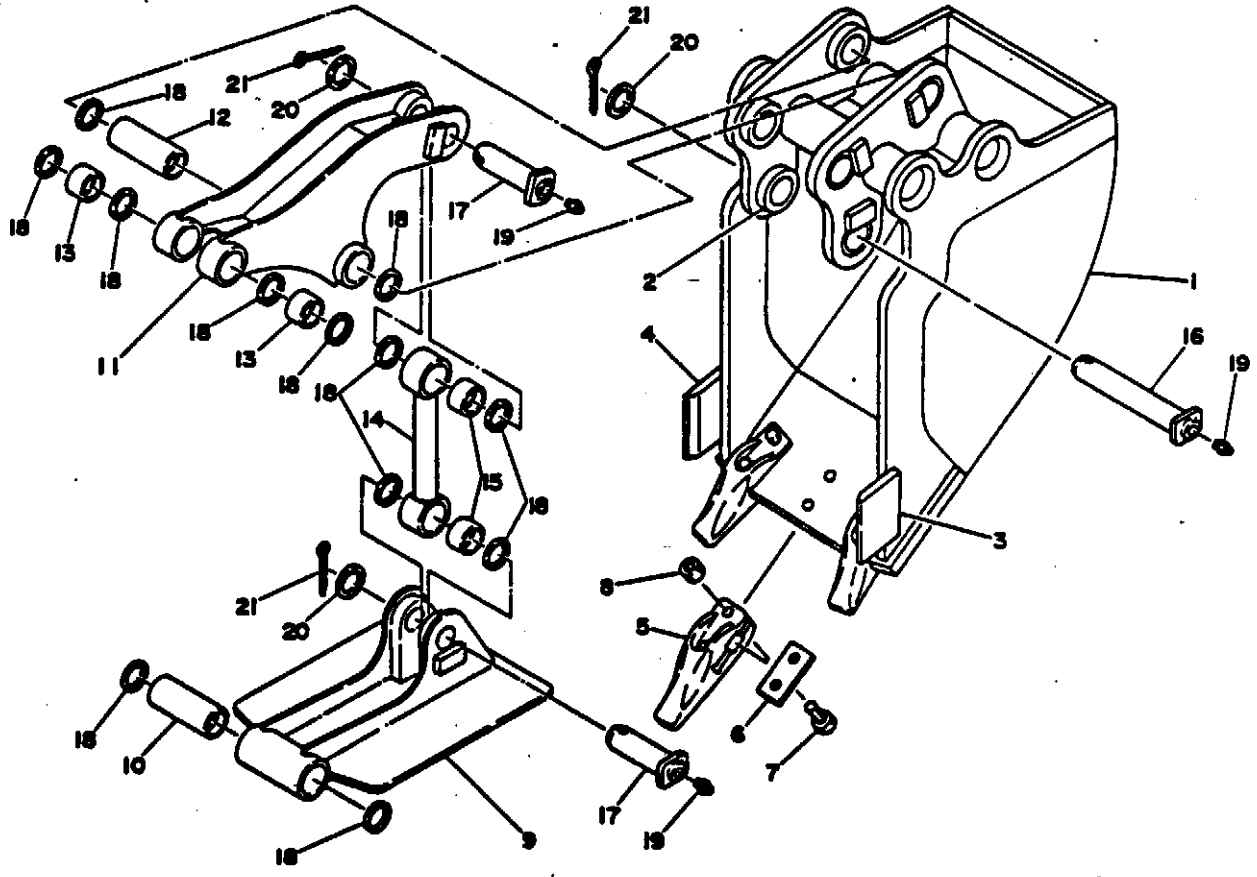
QTY	PARTS NUMBER	DESCRIPTION	REMARKS	QTY	PARTS NUMBER	DESCRIPTION	REMARKS
01	01302-41000	BUCKET ASSY	1 300	8	11010-51245	↗BOLT	8 40.00.000
	01302-41100	BUCKET ASSY	1 300		11010-51245	↗BOLT	8 000
	01302-41200	BUCKET ASSY	1 400	9	11305-50012	↗NUT	4 300
	01302-41400	BUCKET ASSY	1 300		11305-50012	↗NUT	6 300
	01302-41500	BUCKET ASSY	1 300		11305-50012	↗NUT	8 40.00.000
	01302-19000	BUCKET ASSY	1 000		11305-50012	↗NUT	10 000
1	01302-42000	↗BUCKET	1 300				
	01302-42100	↗BUCKET	1 300				
	01302-42200	↗BUCKET	1 000				
	01302-42400	↗BUCKET	1 300				
	01302-42500	↗BUCKET	1 000				
	01302-19100	↗BUCKET	1 000				
2	00020-00013	↗BUSHING	4				
3	01302-42000	↗CUTTER Side	2				
4	01102-10012	↗CUTTER Side (L. ID)	1 000 only				
5	01102-10013	↗CUTTER Side (R. ID)	1 000 only				
6	01302-09000	↗TOOTH	2 300				
	01302-09000	↗TOOTH	3 300				
	01302-09000	↗TOOTH	4 40.00.000				
	01302-09000	↗TOOTH	5 000				
7	01302-09001	↗SHIM	0				
	01302-09002	↗SHIM	0				
	01302-09003	↗SHIM	0				
8	11010-51245	↗BOLT	4 300				
	11010-51245	↗BOLT	6				

NOTE 001-

Dr.0

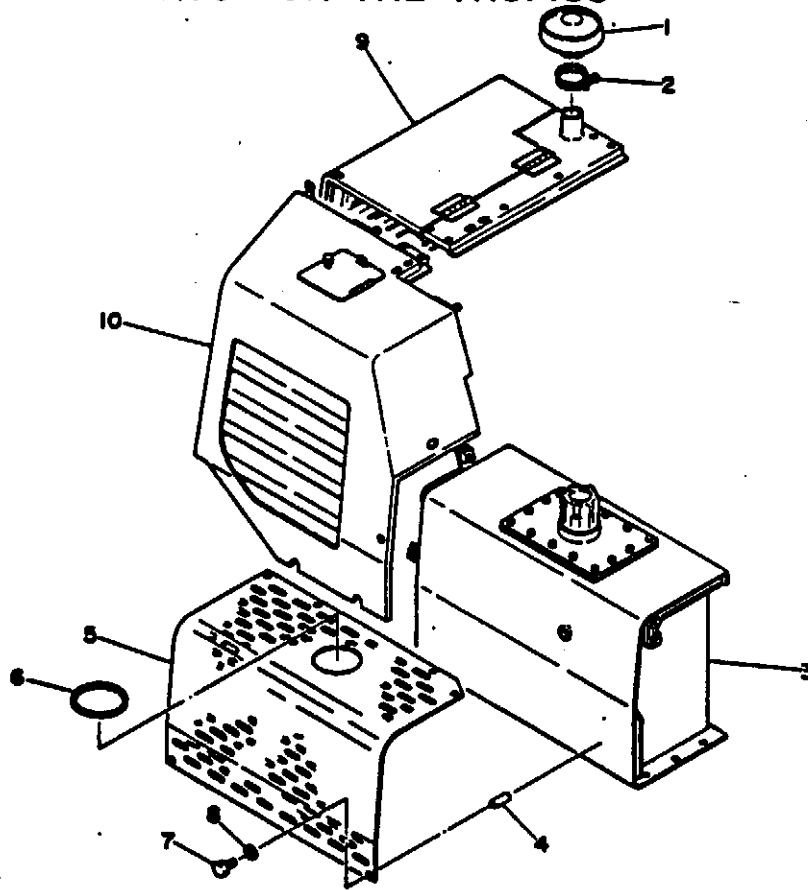
Dr.0

FIG.53 EJECTOR BUCKET



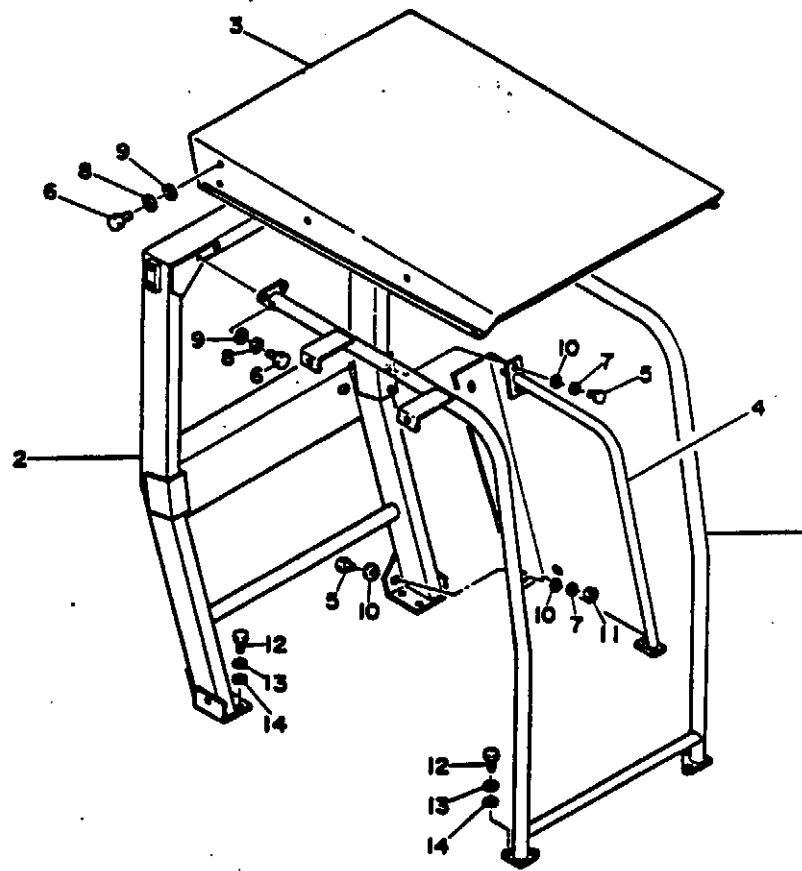
Qty	PARTS NUMBER	DESCRIPTION	REMARKS	Qty	PARTS NUMBER	DESCRIPTION	REMARKS
01	01462-00000	BUCKET ASSY. Ejector	1	12	00021-00005	BUSSHING	1
02	01462-01000	BUCKET ASSY. Ejector	1	13	00021-00006	BUSSHING	2
03	01462-02000	BUCKET ASSY. Ejector	1	04	01362-00001	LINK ASSY. Ejector	1
1	01362-25100	BUCKET	1	14	01362-25400	LINK Ejector	1
	01362-26100	BUCKET	1	15	00021-00006	BUSSHING	2
	01362-27100	BUCKET	1	16	00019-00010	PIN	1
2	00029-00003	BUSSHING	6	17	00013-35111	PIN	2
3	01102-10013	CUTTER, Side GRD	1	18	14322-00035	SEAL, Pie	12
4	01102-10013	CUTTER, Side GLD	1	19	15600-01000	WIPPLE, Groove	3
5	01362-00000	TOOTH	3	20	00030-35000	COLLAR	4
	01362-00000	TOOTH	3		00030-35001	COLLAR	4
6	01362-00001	SHIM	4		00030-35002	COLLAR	4
	01362-00002	SHIM	4		00030-35003	COLLAR	4
	01362-00003	SHIM	4		00030-35004	COLLAR	4
7	11010-51245	BOLT	6		00030-35005	COLLAR	4
8	11203-50013	NUT	6	21	12100-00000	PIN, Split	3
04	01362-00000	EJECTOR ASSY	1				
	01362-00040	EJECTOR ASSY	1				
	01362-00050	EJECTOR ASSY	1				
9	01362-25300	EJECTOR	1				
	01362-26200	EJECTOR	1				
	01362-27200	EJECTOR	1				
10	00021-00005	BUSSHING	1				
05	01462-00002	ARM ASSY. Link	1				
11	01462-00100	ARM ASSY. Link	1				

FIG.54 PARTS FOR THE TROPICS



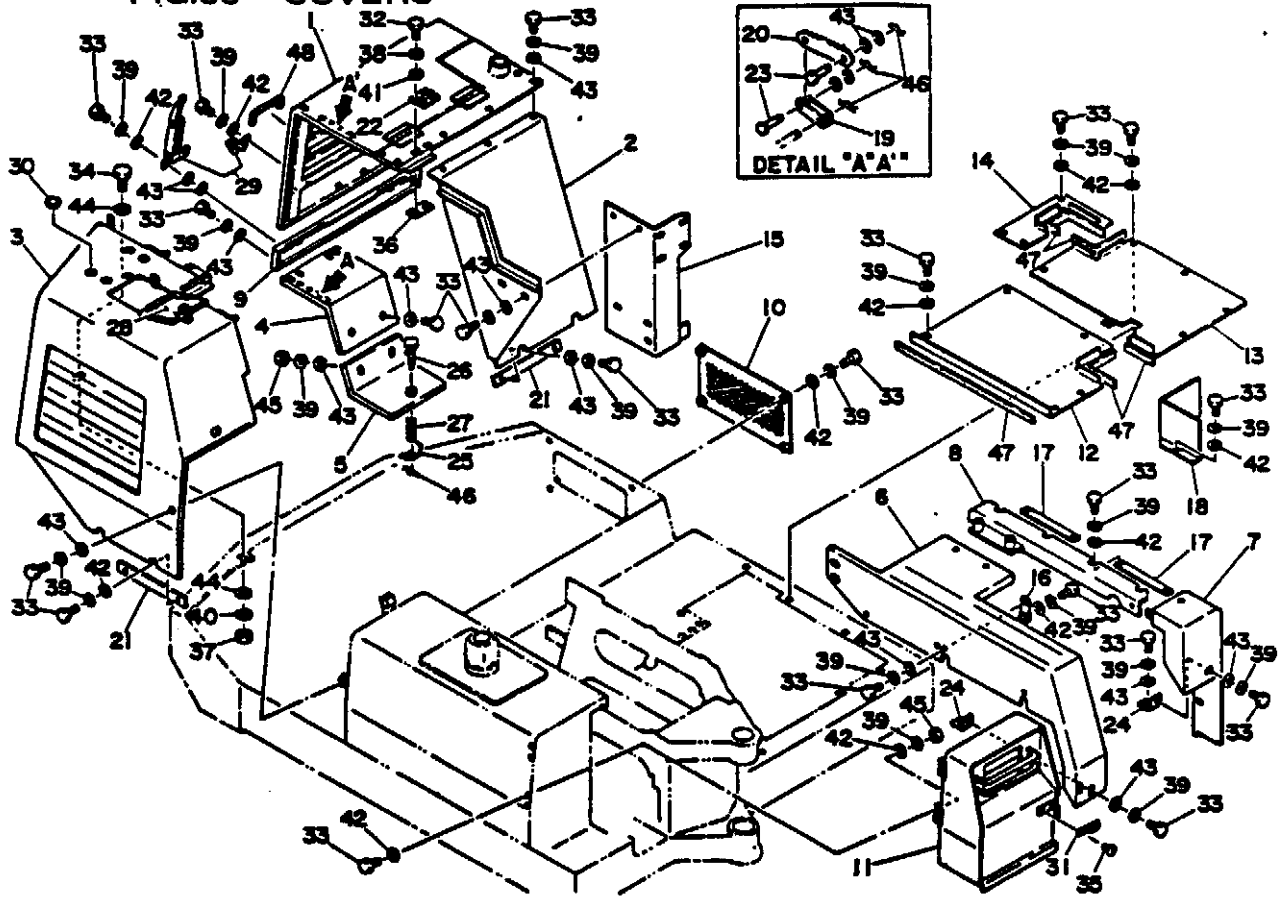
QTY	PARTS NUMBER	DESCRIPTION	QTY	REMARKS
1	*****	CAP	1	Y1232-1200
1	*****	*CLAMP	1	
01	01400-90020	TANK ASSY. Hyd.	1	
1	01400-90010	*TANK ASSY. Hyd.	1	
7	01400-56300	*BOSS	7	
1	01400-56100	COVER, Tank	1	
1	16540-00100	TRIM	1	
7	11000-40025	BOLT	7	
7	11400-10000	WASHER, Spring	7	
1	01402-04100	COVER, Engine	1	
1	01402-04200	COVER, Rear Side	1	

FIG.55 CANOPY



QTY	PARTS NUMBER	DESCRIPTION	QTY	REMARKS
1	01484-56100	GUARD, Front	1	
1	01484-56200	GUARD, Side	1	
1	01484-56300	GUARD, Roof	1	
1	01484-56400	COVER, Side	1	
7	11000-40020	BOLT	7	
12	11000-41025	BOLT	12	
7	11400-20000	WASHER, Spring	7	
12	11400-20010	WASHER, Spring	12	
12	11411-10010	WASHER, Plain	12	
9	00030-00252	WASHER	9	
2	11300-40000	NUT	2	
8	11000-41225	BOLT	8	
8	11400-20012	WASHER, Spring	8	
8	11411-10012	WASHER, Plain	8	

FIG.56 COVERS



QTY	PARTS NUMBER	DESCRIPTION	QTY	REMARKS	QTY	PARTS NUMBER	DESCRIPTION	QTY	REMARKS
1	01482-65100	COVER, Engine	1		25	00682-11900	KNOB	1	
2	01482-60200	COVER, Engine (P)	1		27	00070-00023	SPRING	1	
3	01482-60300	COVER, Rear Side	1		28	01482-61000	PLATE, Rubber	1	
4	01482-60400	COVER	1		29	16537-00100	CATCH, Beanoel	2	
5	01482-60500	COVER	1		30	16520-51200	GROMMET	5	
6	01482-60600	COVER, Center	1		31	16533-15200	CLIP	1	
7	01482-60700	COVER, Valve (A)	1		32	11000-40618	BOLT	1	
8	01482-60800	COVER, Valve (B)	1		33	11000-40820	BOLT	20	
9	01482-60900	GUIDE, Cover	1		34	11000-41030	BOLT	1	
10	01482-57000	PLATE, Side	1		35	11205-70512	SCREW, Pan Head	2	
11	01482-61100	COVER, Battery	1		36	01482-53900	PLATE	4	
12	01482-63100	PLATE, Stage (A)	1		37	11300-40010	NUT	1	
13	01482-63200	PLATE, Stage (B)	1		38	11400-20006	WASHER, Spring	5	
14	01482-63300	PLATE, Stage (C)	1		39	11400-20008	WASHER, Spring	20	
15	01482-61500	COVER, Stand	1		40	11400-20010	WASHER, Spring	1	
16	01842-61600	BRACKET	1		41	11411-10006	WASHER, Plain	8	
17	01842-61700	PLATE	2		42	11411-10005	WASHER, Plain	5	
18	01842-58600	PLATE, Baffle	1		43	00036-00250	WASHER	5	
19	01482-55100	LINK	2		44	00036-00000	WASHER	2	
20	01482-55200	LINK	2		45	11300-40008	NUT	6	
21	01382-02000	PLATE	2		46	12140-20005	PIN, Snap	1	
22	01482-58700	HINGE	2		47	16545-20000	RUBBER	6	
23	00040-00018	PIN	4						
24	01482-58400	ANGLE	2						
25	01182-23800	CLAMP	1						

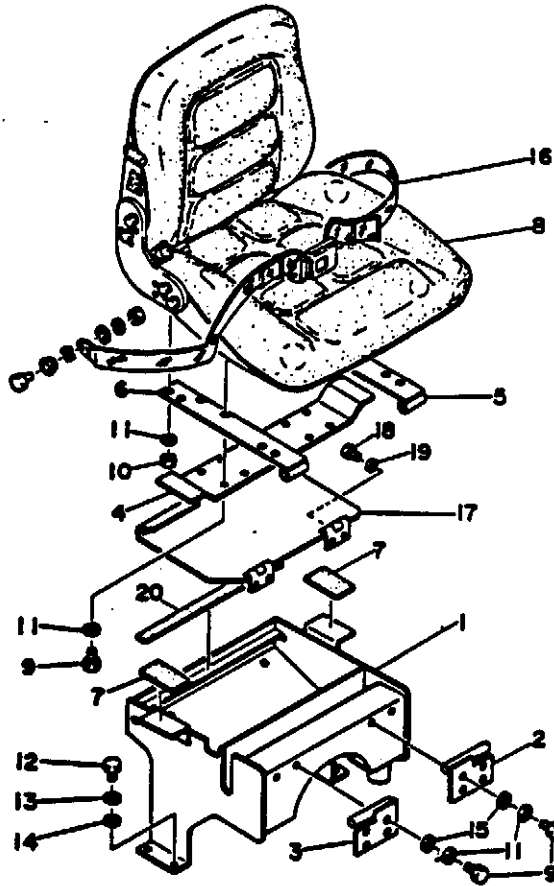
NOTE: SUB-

NOTE

#12-

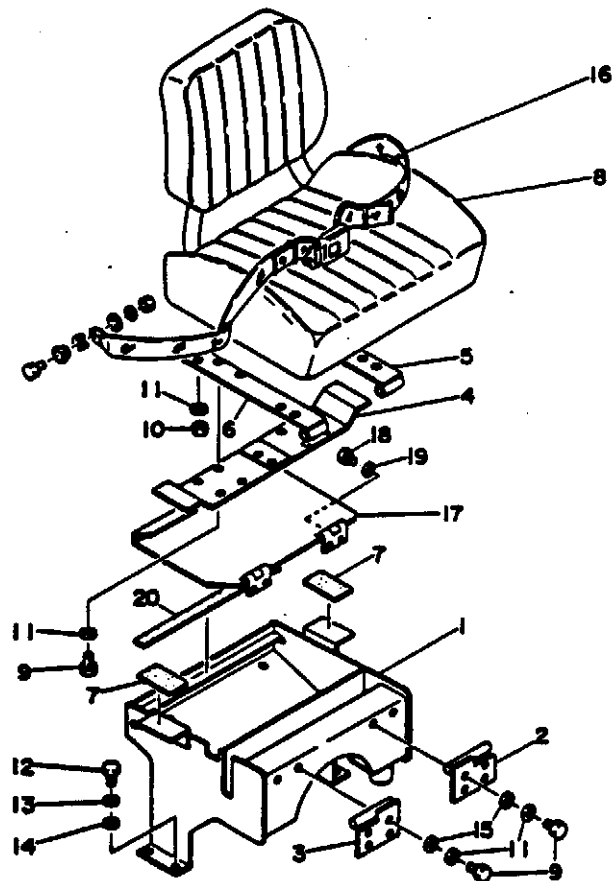


FIG.57-1 SEAT



Qty	PARTS NUMBER	DESCRIPTION	QTY	REMARKS
1	01434-06100	BRACKET	1	021-
2	01434-06200	HINGE (L. H)	1	021-
3	01434-06300	HINGE (R. H)	1	021-
4	01434-06400	PLATE	1	021-
5	01434-03200	PLATE (L. H)	1	
6	01434-03300	PLATE (R. H)	1	
7	01434-03700	PLATE, Rubber	2	
8	10141-00010	SEAT	1	
9	11000-40020	BOLT	8	
10	11300-40000	NUT	4	
11	11400-20000	WASHER, Spring	12	
12	11000-41020	BOLT	4	
13	11400-20010	WASHER, Spring	4	
14	11411-10000	WASHER, Plain	4	
15	11411-10000	WASHER, Plain	4	
16	10141-00003	BELT ASSY. Seat	1	
17	01434-06500	COVER	1	021-
18	11000-40020	BOLT	4	021-
19	11400-20000	WASHER, Spring	4	021-
20	01434-06600	PLATE, Rubber	1	021-

FIG.57-2 SEAT



QTY	PARTS NUMBER	DESCRIPTION	QTY	REMARKS
1	01434-06100	BRACKET	1	#21~
2	01434-06200	HINGE (R. H)	1	#21~
3	01434-06300	HINGE (L. H)	1	#21~
4	01434-06400	PLATE	1	#21~
5	01434-03200	PLATE (R. H)	1	
6	01434-03300	PLATE (L. H)	1	
7	01434-03700	PLATE, Rubber	2	
8	19141-00003	SEAT	1	
9	11000-40020	BOLT	8	
10	11300-40000	NUT	4	
11	11400-20000	WASHER, Spring	12	
12	11000-41020	BOLT	4	
13	11400-20010	WASHER, Spring	4	
14	11411-10000	WASHER, Plain	4	
15	11411-10000	WASHER, Plain	4	
16	19141-00003	SEAT ASSY, Seat	1	
17	01434-06500	COVER	1	#21~
18	11000-40020	BOLT	4	#21~
19	11400-20000	WASHER, Spring	4	#21~
20	01434-06600	PLATE, Rubber	1	#21~



**TAKEUCHI MFG. CO., LTD.**  
205-3, UADAIRA, SAKAKI-MACHI,  
HANISHINA-GUN, NAGANO 389-07,  
JAPAN

**TB35S**  
**ENGINE**



# 目 次 CONTENTS

塔載エンジン ENGINE		ページ
1.	シリンダブロック CYLINDER BLOCK	1
2.	ギヤケース GEARS HOUSING	4
3.	メタルドウ MAIN BEARING HOUSING	6
4.	カムシャフトワケ CAMSHAFT BEARING	8
5.	ブレザ AIR BREATHER	9
6.	ツリアゲカナグ ENGINE LIFTER	10
7.	シリンダヘッド CYLINDER HEAD	11
8.	エアクリーナ AIR CLEANER	15
9.	サイレンサ EXH. SILENCER	17
10.	カムシャフト CAMSHAFT	19
11.	クランクシャフト CRANKSHAFT	20
12.	ピストン PISTON	22
13.	コネクティングロッド CONNECTING ROD	23
14.	HOポンプクドウ HYD. OIL PUMP DRIVING	24
15.	LOポンプ LUB. OIL PUMP	26
16.	LOコシキ LUB. OIL STRAINER	27
17.	LOハイフ LUB. OIL LINES	28
18.	CWポンプ COOLING WATER PUMP	29
19.	ラジエータ RADIATOR	31
20.	CWハイフ COOLING WATER LINES	32
21.	サーモスタット THERMOSTAT	33

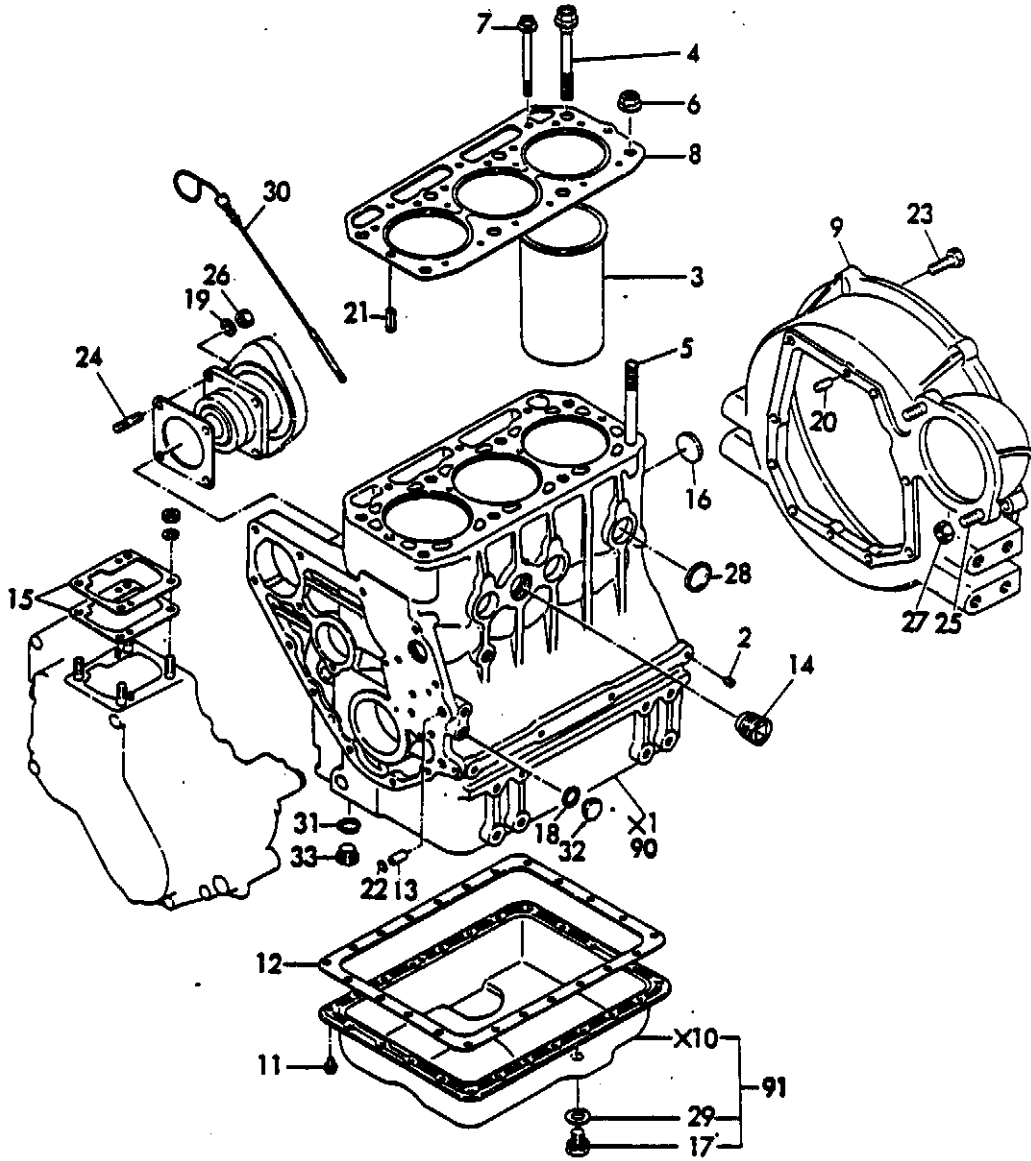
22.	FOフンシャポンプ FUEL INJECTION PUMP	34
23.	フィードポンプ FUEL FEED PUMP	37
24.	FOフンシャベン FUEL INJECTION VALVE	38
25.	FOコシキ FUEL STRAINER	39
26.	FOフンシャパイプ FUEL INJECTION PIPE	41
27.	FOパイプ FUEL LINE	42
28.	ガバナクドウ GOVERNOR	45
29.	ソウジュウソウチ REGULATOR LINKS	47
30.	デンソウヒン ELECTRIC STARTING DEVICE	49
31.	サーモスタート THERMOSTART	91
32.	スターティングモータ(インナーパーツ) STARTING MOTOR (COMPONENT PARTS)	92
33.	ACジェネレータ(インナーパーツ) AC GENERATOR (COMPONENT PARTS)	94
34.	ケイキ GAUGE	96
35.	コウグ TOOLS	97
36.	パッキンキット GASKET KIT	98





1. シリンダブロック  
CYLINDER BLOCK

D29327-01100  
D29350-34100



# シリンダブロック

## 1. CYLINDER BLOCK

D29327-01100  
D29350-34100

2

図番 Refer No.	品名 DESCRIPTION	部品番号 PART NO.	1台分個数 QTY	互換性 Inter- change- ability	備考 REMARKS
			3T84HLE-TB		
1	シリンダブロック CYLINDER BLOCK	×Refer to 90	1		129350-01012
2	チーパプラグ PTX PLUG	124060-01050	8		
3	シリンダライナ LINER, cylinder	129350-01100	3		
4	ヘッドボルト (A) BOLT (A), cylinder head	129350-01200	6		
5	ヘッドボルト (B) BOLT (B), cylinder head	124950-01210	2		
6	ナット(ヘッドボルト) NUT, cylinder head	121450-01220	2		
7	ヘッドボルト (C) BOLT, cylinder head	129350-01230	3		
8	ヘッドガスケット GASKET, cylinder head	129322-01331	1		
9	マウンティングフランジ FLANGE, mounting	121522-01600	1		
10	オイルパン SUMP, lub. oil	×Refer to 91	1		129350-01700
11	ボルト(オイルパン) BOLT, sump	121450-01710	23		
12	パッキン(オイルパン) PACKING, sump	121875-01750	1		
13	ガイド(Oリング) GUIDE, o-ring	124085-01900	2		
14	プラグ NPTF1 PLUG	121751-01921	1		
15	ファンシャジキシム COMP SHIM SET, f. injection pump	121450-01951	1		
16	ワンガタプラグ 30 PLUG	121450-01990	1		
17	ドレーンプラグ PLUG, drain	104200-55080	1		
18	パッキン(マル) 12 PACKING	23414-120000	2		
19	バネザガネ 8 SPRING WASHER	22217-080000	4		
20	ヘイコウピン 8×16 PARALLEL PIN	22312-080160	2		
21	スプリングピン 6.0A SPRING PIN	22351-060012	2		
22	Oリング 1A P 10.0 O-RING	24311-000100	2		
23	ツバボルト 10×28 BOLT	26106-100282	8		
24	ウエコミボルト 8×22 STUD BOLT	26216-080222	4		
25	ウエコミボルト(2D) 12×25 STUD BOLT	26226-120252	2		

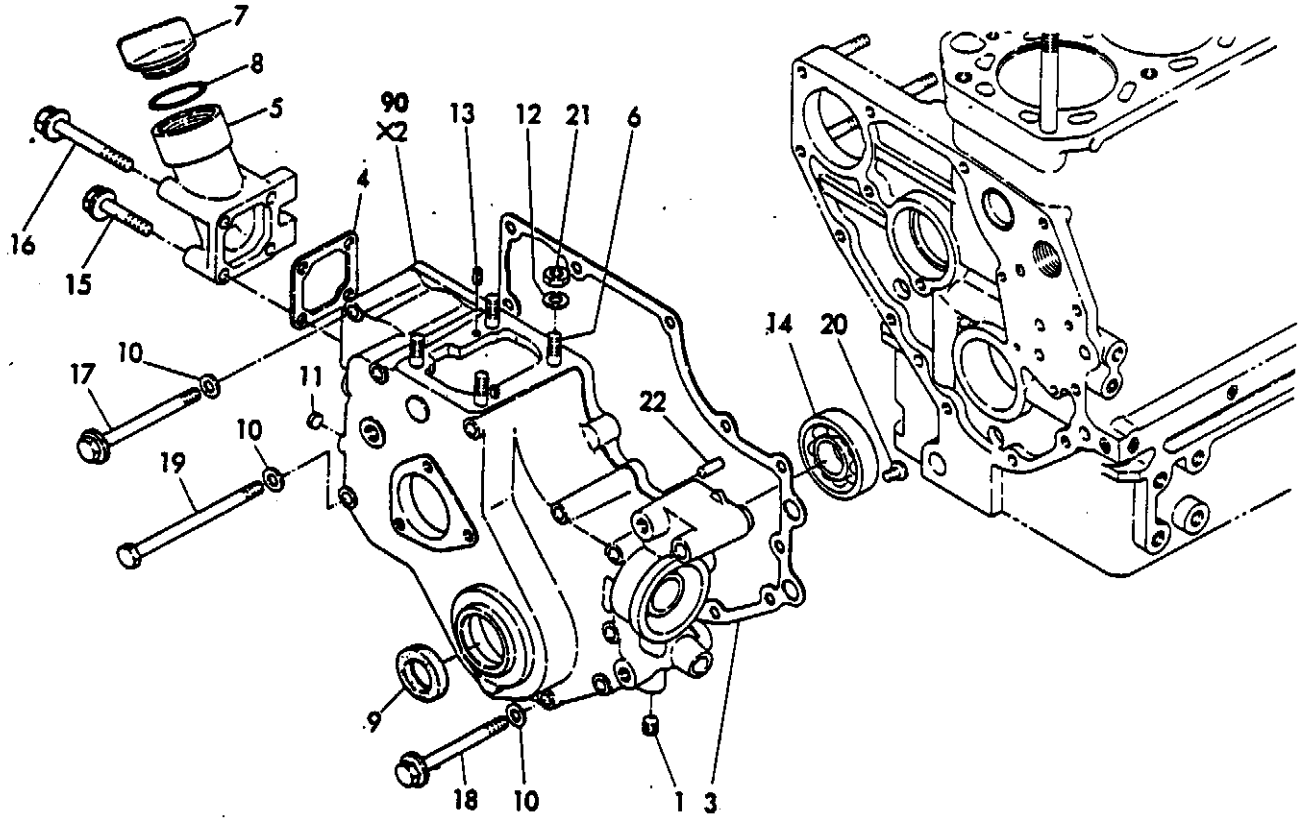
3

シリンダブロック  
1. CYLINDER BLOCK

D29327-01100  
D29350-34100

図番 Refer No.	品 名 DESCRIPTION	部 品 番 号 PART NO.	1台分個数 QTY	互 換 性  Inter- change- ability	備 考 REMARKS
			JTB4HLE-TB		
26	ナット 8 NUT	26716-080002	4		
27	ナット 12 NUT	26716-120002	2		
28	ワンガタプラグ 30 PLUG	27241-300000	6		
29	シールワッシャー 12 SEAL WASHER	43400-500450	1		
30	ケンユボウ DIPSTICK, lub. oil	129350-34800	1		
31	パッキン(コマル) 12 PACKING	23414-120016	2		
32	6カクプラグ M12 PLUG	23881-120002	2		
33	6カクプラグ M12 PLUG	23887-120002	2		
90	シリンダブロック ASS'Y BLOCK ASS'Y, cylinder	729350-01560	1		↑ 1-3, 5, 6, 12, 14, 16, 20-22 Inc. 28, P02-1-3
91	オイルパン ASS'Y SUMP ASS'Y, lub. oil	729350-01540	1		↑ Inc. 10, 17, 29





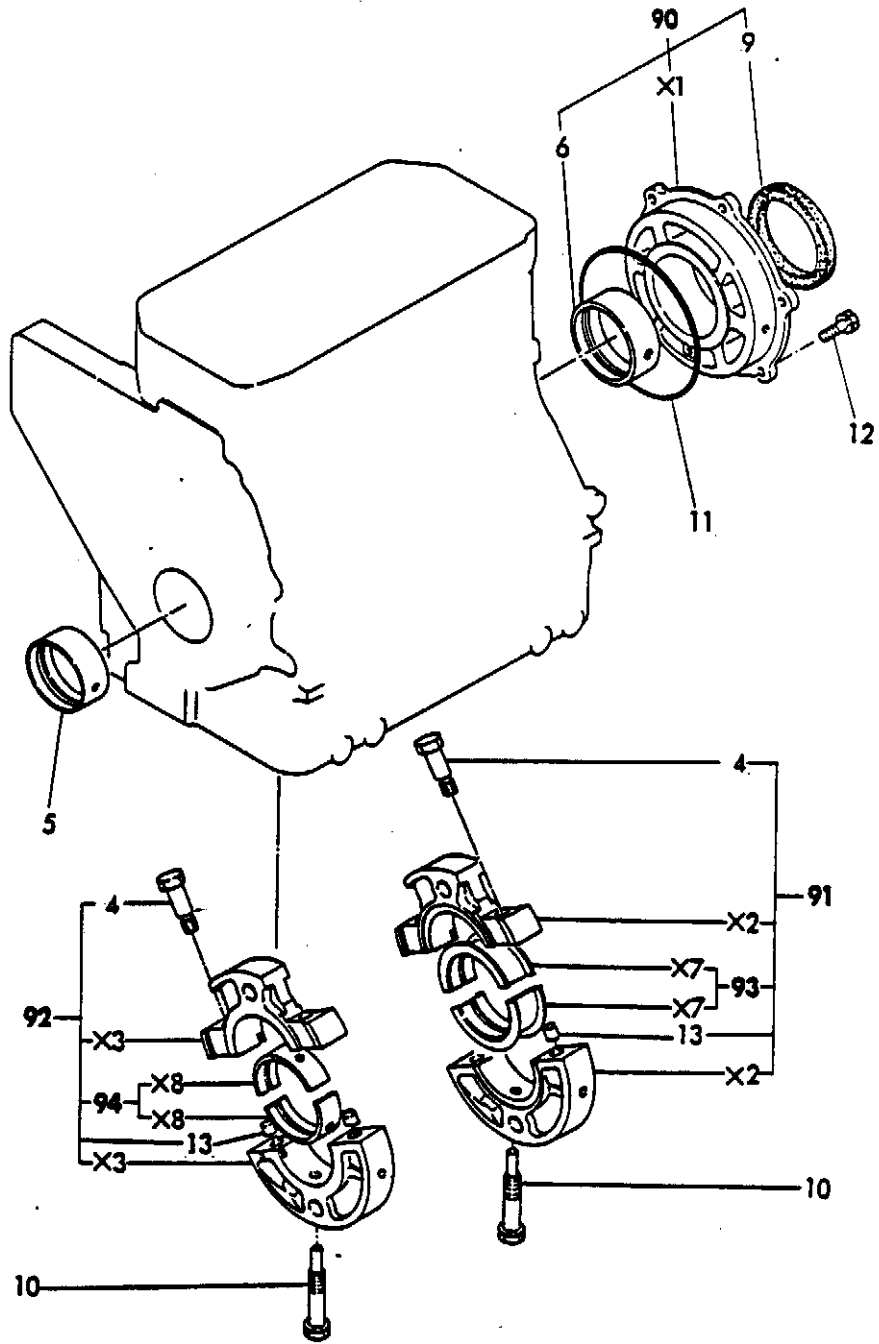
ギヤケース  
2. GEARS HOUSING

D29327-01200

5

図番 Refer No.	品 名 DESCRIPTION	部 品 番 号 PART NO.	1台分個数 QTY	互 換 性	備 考 REMARKS
			3T84HLE-TB	gear change shday	
1	チーバプラグ PT用 PLUG	124060-01050	1		
2	ギヤケース HOUSING, gears	×Refer to 90	1		129301-01502
3	パッキン(ギヤケース) PACKING, housing	121575-01510	1		
4	パッキン(ソクフタ) PACKING, cover	121450-01531	1		
5	ソクフタ(ホユコウフランジ) COVER, side	129327-01550	1		
6	ウエコミボルト 8×22 シーメック STUD	121450-01560	4		
7	フタ(ホユコウ) CAP, lub. oil feed	124160-01751	1		
8	Oリング(ホユコウ) O-RING, cap	121420-01760	1		
9	オイルシール(ギヤケース) OIL SEAL, housing	121450-01801	1		
10	ヒラザガネ(コマル) 8 WASHER	22117-080000	12		
11	ウチコミプラグ 11.6×12 PLUG	121085-01890	1		
12	バネザガネ 8 SPRING WASHER	22217-080000	4		
13	スプリングピン 40AW×10 SPRING PIN	22351-040010	2		
14	ボールベアリング 6305 BALL BEARING	24101-063050	1		
15	ツバボルト 6×40 BOLT	26106-060402	2		
16	ツバボルト 6×65 BOLT	26106-060652	2		
17	ツバボルト 8×75 BOLT	26106-080752	2		
18	ツバボルト 8×85 BOLT	26106-080852	7		
19	6カクボルト 8×115 BOLT	26116-081152	3		
20	バインドスクリュー 8×10 SCREW	26587-080102	1		
21	ナット 8 NUT	26716-080002	4		
22	ヘイコウピン 8×16 PARALLEL PIN	22312-080160	1		
90	ギヤケース ASS'Y HOUSING ASSY, gears	729327-01610	1		inv. 1, 2, 6, 11-13, 21

メタルドウ  
3. MAIN BEARING HOUSING

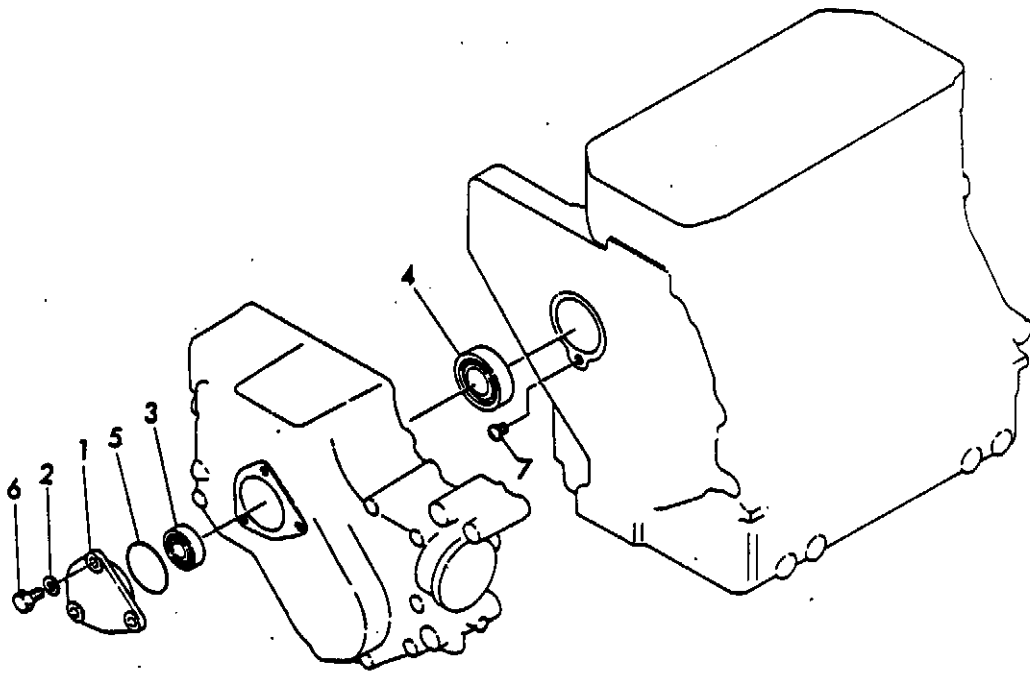




メタルドウ  
3. MAIN BEARING HOUSING

図番 Refer No.	品名 DESCRIPTION	部品番号 PART NO.	1台分個数 QTY	互換性 Inter- change- ability	備考 REMARKS
			3TB4HLE-TB		
1	メタルドウ HOUSING, main bearing	×Refer to 90	1		121550-02010
2	センターメタルドウ 1 HOUSING (1), main bearing, center	×Refer to 91	1		129350-02021
3	センターメタルドウ 2 HOUSING (2), main bearing, center	×Refer to 92	1		129350-02031
4	ボルト (センターメタルドウ) BOLT, housing	129350-02070	4		
5	メインメタル MAIN BEARING	129350-02100	1		129350-02310
6	メインメタル MAIN BEARING	121550-02110	1		121550-02320
7	センターメインメタル 1 MAIN BEARING (1), center	×Refer to 93	2		129350-02120 129350-02330
8	センターメインメタル 2 MAIN BEARING (2), center	×Refer to 94	2		129350-02130 129350-02350
9	オイルシール (メタルドウ) OIL SEAL, housing	121551-02220	1		
10	セットボルト (センターメタル) SET BOLT	121550-02300	2		
11	Oリング 1A S135.0 O-RING	24341-001350	1		
12	ボルト (SW) 8×20 BOLT	26013-080202	6		
13	パイプノック (センターメタルドウ) PIPE KNOCK, main bearing	129350-02050	4		
14	ボルト (センターメタルドウ) BOLT, housing	121250-02070	4		OM
90	メタルドウASS'Y HOUSING ASS'Y, main bearing	721550-02500	1		① Inc. 1, 4, 9
91	センターメタルドウ(1)ASS'Y HOUSING (1) ASS'Y, main bearing	729350-02611	1		② Inc. 3, 4, 7, 13
92	センターメタルドウ(2)ASS'Y HOUSING (2) ASS'Y, main bearing	729350-02621	1		③ Inc. 3, 4, 8, 13
93	センターメインメタル(1)ASS'Y MAIN BEARING (1) ASS'Y	729350-02800	1		④ Inc. 7
94	センターメインメタル(2)ASS'Y MAIN BEARING (2) ASS'Y	729350-02810	1		⑤ Inc. 6

カムシャフトウケ  
4. CAMSHAFT BEARING

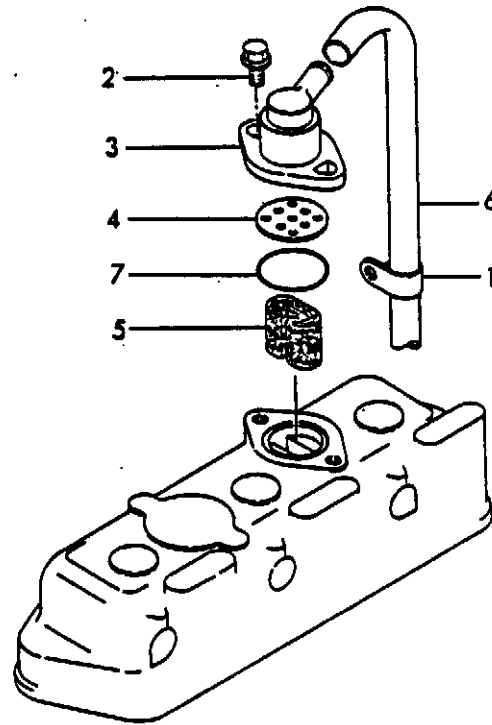


図番 Refer No.	品 名 DESCRIPTION	部品番号 PART NO.	1台分個数 QTY	互換性 Inter change ability	備 考 REMARKS
			JT84HLE-TB		
1	ハウジング(ボールベアリング) HOUSING, bearing	129301-02801	1		
2	パッキン (マル) 8 PACKING	23414-080000	3		
3	ボールベアリング 6202 BALL BEARING	24101-062024	1		
4	ボールベアリング 6205 BALL BEARING	24101-062054	1		
5	Oリング 1A S46.0 O-RING	24341-000460	1		
6	ボルト BOLT	121456-91981	3		
7	バインドスクリュ 8×10 SCREW	28587-080102	1		

ブレザ  
5. AIR BREATHER

D21027-03101

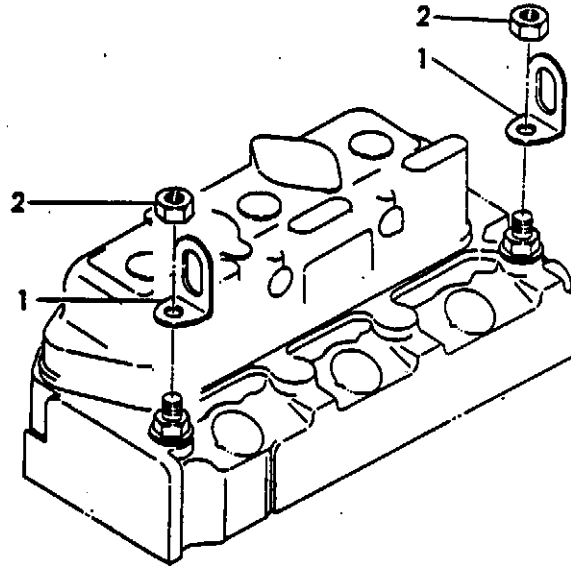
9



図番 Refer No.	品名 DESCRIPTION	部品番号 PART NO.	1 内分個数 QTY	互換性 Inter- changeability	備考 REMARKS
			JTMHLE-TB		
1	クランプ (ブレザパイプ) CLAMP, pipe	124160-01650	1		
2	ツバボルト 8×16 BOLT	26106-080162	2		
3	ブレザホントイ A BODY (A), breather	121450-03012	1		
4	ブレザホントイ B BODY (B), breather	121450-03020	1		
5	バッフル (ブレザ) BAFFLE, breather	121450-03030	1		
6	ビニールパイプ 13×650 PIPE	23065-130650	1		
7	Oリング 1A S40.0 O-RING	24341-000400	1		

## 6. ツリアゲカナグ ENGINE LIFTER

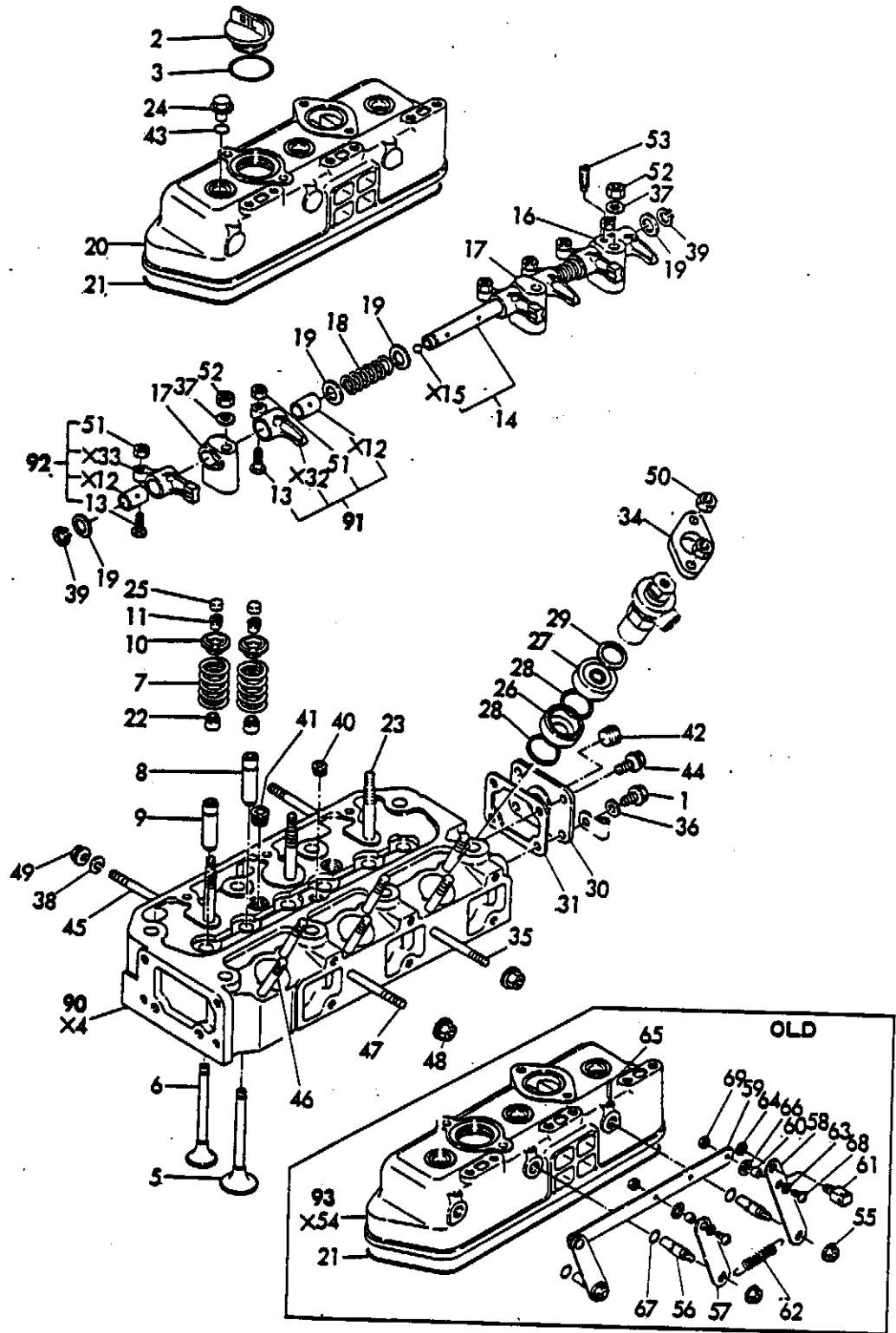
D24936-07300



図番 Refer No.	品 名 DESCRIPTION	部 品 番 号 PART NO.	1台分個数 QTY	互 換 性 <small>Inter- change- ability</small>	備 考 REMARKS
			JTBHLE-TB		
1	ツリアゲカナグ A LIFTER (A), engine	121575-07230	2		
2	トメナット(ツリアゲカナグ) LOCK NUT	129305-07950	2		



7. シリンダヘッド  
CYLINDER HEAD



シリンダヘッド  
7. CYLINDER HEAD

D29327-11100

12

図番 Refer No.	品 名 DESCRIPTION	部 品 番 号 PART NO.	1 台分個数 QTY	互 換 性  Inter- change- ability	備 考 REMARKS
			3T84HLE-TB		
1	6 カクボルト(ツバツキ) 8×14 BOLT	26106-080122	2		
2	フタ(ホユコウ) CAP. lub. oil-feed	124160-01751	1		
3	Oリング(ホユコウ) O-RING, cap	121420-01760	1		
4	シリンダヘッド HEAD, cylinder	× Refer to 90	1		129354-11011
5	キューキベン VALVE, suction	129350-11100	3		
6	ハイキベン VALVE, exhaust	129350-11110	3		
7	ベンバネ SPRING, valve	104511-11120	6		
8	ベンアンナイ(キューキ) GUIDE, suc. valve	124450-11161	3		
9	ベンアンナイ(ハイキ) GUIDE, exh. valve	124450-11171	3		
10	オサエ(ベンバネ) RETAINER, valve spring	103338-11180	6		
11	トメ(ベンバネ) COTTER, valve spring	103338-11190	6		
12	ブッシュ(ベンワン) BUSH, arm	× Refer to 91,92	6		129350-11230
13	アジャスタ(ベンスキマ) SCREW, valve clearance	101158-11230	6		
14	ベンワンジク COMP SHAFT W/STEEL BALL, valve support	129350-11240	1		Fig. 15
15	コウキューウ 11/32 STEEL BALL	× Refer to 14	2		24190-110001
16	サポート A(ベンワン) SUPPORT (A), valve rocker arm	121450-11260	1		
17	サポート B(ベンワン) SUPPORT (B), valve rocker arm	121450-11270	2		
18	スプリング(ベンワンジク) SPRING, shaft	121550-11280	2		
19	ワガネ(ベンワンジク) WASHER, shaft	121550-11290	6		
20	ボンネット BONNET	129301-11300	1		
21	ハッキン(ボンネット) PACKING, bonnet	129350-11310	1		
22	バルブステムシール SEAL, valve stem	124460-11340	6		
23	ウエコミボルト(サポート) STUD BOLT, support	105225-11350	3		
24	トッチ(ボンネット) CAP NUT, bonnet	124160-11360	3		
25	キャップ(ベン) RETAINER, valve top	104511-11370	6		

図番 Ref/A K	品名 DESCRIPTION	部品番号 PART NO.	1台分個数 QTY	互換性	備 考 REMARKS
			3T84HLE-TB	Inter- change- ability	
26	アンチチャンバ (F) CHAMBER, front	129301-11400	3		
27	アンチチャンバ (R) CHAMBER, rear	129350-11410	3		
28	パッキン(アンチチャンバ) PACKING, chamber	101704-11450	6		
29	アロテクタ(アンチチャンバ) INSULATOR, heat	103854-11490	3		
30	ソクフタ(シリンダヘッド) COVER, side	129301-11670	1		
31	パッキン(ソクフタ) PACKING, cover	121450-11680	1		
32	キユウキベンワン ARM, suc. valve rocker	× Refer to 91	3		129350-11710
33	ハイキベンワン ARM, exh. valve rocker	× Refer to 92	3		129350-11730
34	オサエ(ファンシャベン) FLANGE, f.l. valve	101147-11900	3		
35	ウエコミボルト 8×80 STUD BOLT	26216-080802	1		
36	ヒラザガネ(コマル) 8 WASHER	22137-080000	1		
37	ヒラザガネ(コマル) 10 WASHER	22137-100000	3		
38	スプリングワッシャ 8 SPRING WASHER	22217-080000	1		
39	トメワC(ジク) 14 CIRCLIP	22242-000140	2		
40	チーバプラグ PT⅓ PLUG	23871-020000	1		
41	チーバプラグ PT⅓ PLUG	23871-030000	2		
42	チーバプラグ PT⅓ PLUG	23871-030000	1		
43	Oリング 1A P 12.0 O-RING	24311-000120	3		
44	ツバボルト 8×12 BOLT	26106-080122	2		
45	ウエコミボルト 8×65 STUD BOLT	26216-080652	2		
46	ウエコミボルト 8×65 STUD BOLT	26216-080652	6		
47	ウエコミボルト 8×80 STUD BOLT	26216-080802	1		
48	ツバツキナット 8 NUT	26366-080002	2		
49	ツバツキナット 8 NUT	26366-080002	2		
50	ナット 8 NUT	121465-11950	6		



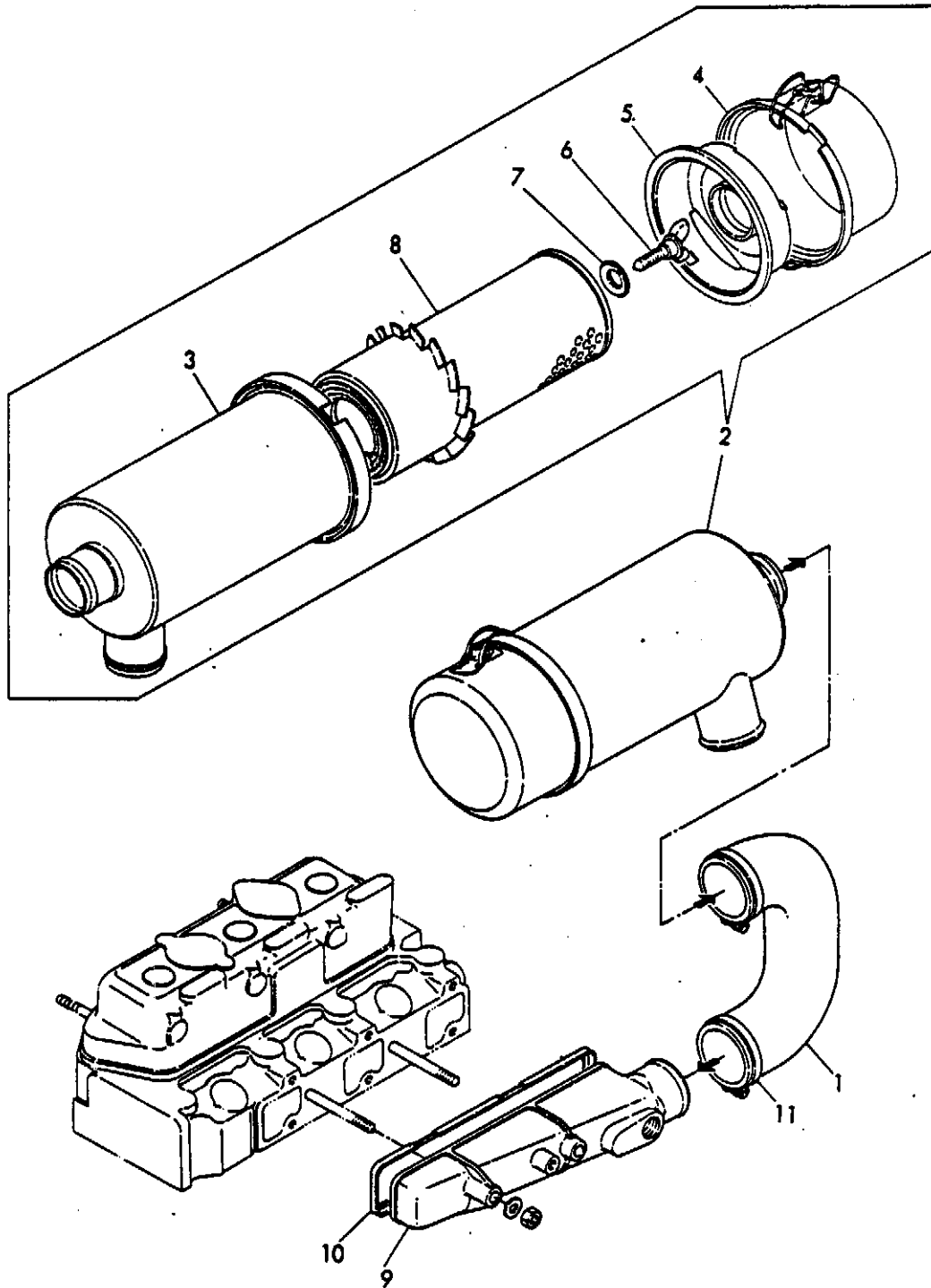
シリンダヘッド  
 7. CYLINDER HEAD

14

図番 Refer No.	品 名 DESCRIPTION	部 品 番 号 PART NO.	1 台分個数 QTY	互 換 性  Inter- change- ability	備 考 REMARKS
			JTB4HLE-TB		
51	トメナット 8 LOCK NUT	26756-080002	6		
52	トメナット(ホン) 10 LOCK NUT	26696-100000	3		
53	トメネジ(ボウ) 8×10 SCREW	26921-080102	1		
54	ボンネット BONNET	× Refer to 93	1		129350-11300
55	フランジナット 6 NUT	160260-01800	3		
56	シャフト(デコンプ) SHAFT, decomp.	121450-03610	3		
57	レバー B(デコンプ) LEVER (B), decomp	121462-03740	2		
58	レバー(デコンプ) LEVER, decomp	129350-03740	1		
59	レンケツカナダ CONNECTING PLATE	129350-03760	1		
60	カラー(レンケツカナダ) COLLAR	121450-03770	3		
61	シメツケカナダ(インナワイヤ) CONNECTOR, wire	121250-03783	1		
62	モドシバネ(レギュレータ) SPRING, lever	104104-67300	1		
63	ヒラザガネ(コマル) 5 WASHER	22117-050000	3		
64	トメワ E 6 E-CLIP	22272-000060	1		
65	ヘイコウピン 3×18 PARALLEL PIN	22312-030180	3		
66	パッキン(マル) 8 PACKING	23418-080000	3		
67	Oリング 1A P 7.0 O-RING	24311-000070	3		
68	スクリュ 5×12 SCREW	26557-050122	3		
69	トメナット 5 LOCK NUT	26756-050002	3		
90	シリンダヘッド ASS'Y HEAD ASS'Y, cylinder	729327-11700	1		注 4-11, 22, 23, 25, 26, inc. 40, 41, 45, 46, 48, 49
91	キューキベンワン ASS'Y ARM ASS'Y (SUC.), valve rocker	729350-11650	3		注 12, 13, 32, 51
92	ハイキベンワン ASS'Y ARM ASS'Y (EXH.), valve rocker	729350-11660	3		注 12, 13, 32, 51
93	ボンネット ASS'Y BONNET ASS'Y	729350-11520	1		旧 注 2, 3, 21, 54-69

エアークリーナ  
8. AIR CLEANER

D29327-12100



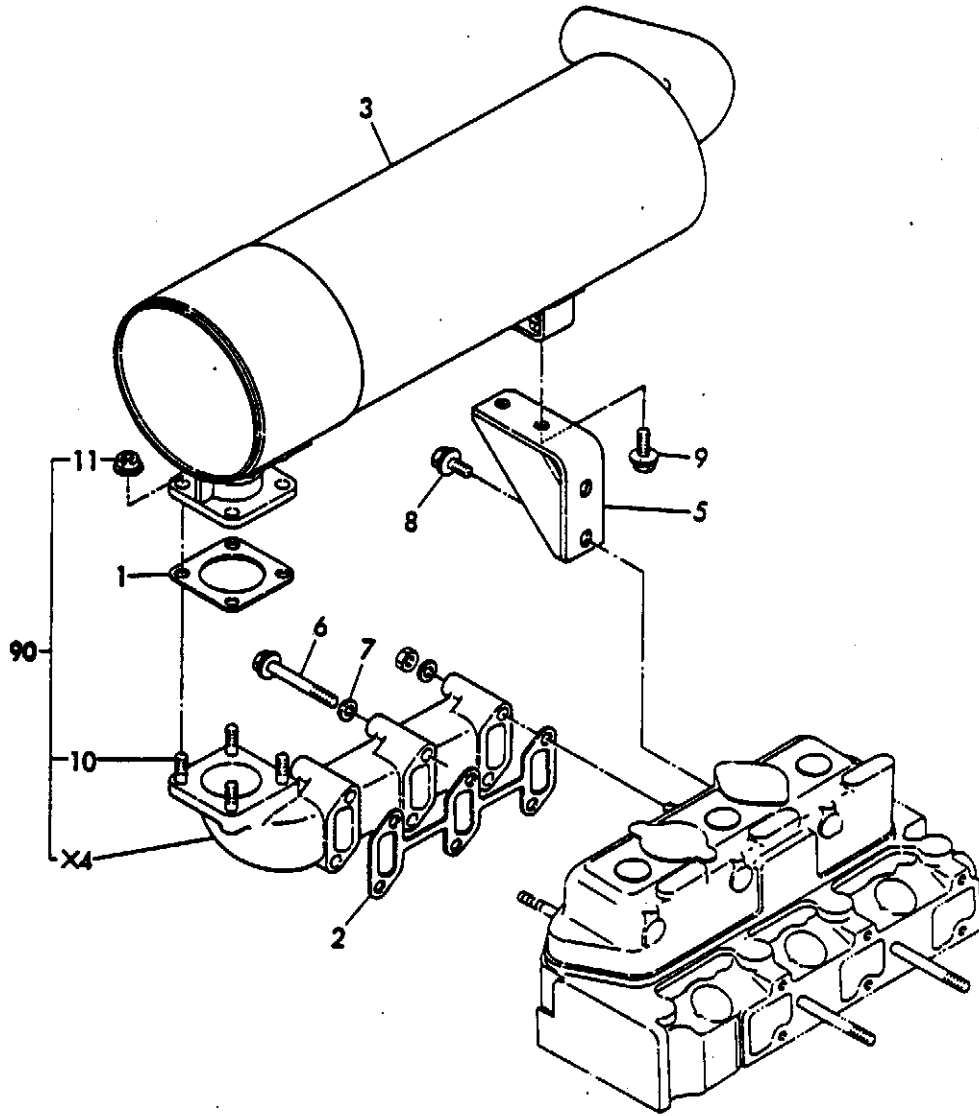
8. エアークリーナ  
AIR CLEANER

D29327-12100

16

図番 Refer No.	品 名 DESCRIPTION	部 品 番 号 PART NO.	1台分個数 QTY	互 換 性  <small>(see change sheet)</small>	備 考 REMARKS
			3T84HLE-TB		
1	キューキカン PIPE, air intake	129327-12210	1		
2	エアークリーナ COMP CLEANER ASS'Y, air	121252-12500	1		ホ 3-8
3	ケースシクミ CASE	121252-12520	1		
4	ダストパンシクミ DUST PAN	121120-12530	1		
5	バッフルシクミ BAFFLE	121120-12540	1		
6	ウイングボルト WING BOLT	121120-12560	1		
7	シールワッシャ SEAL WASHER	121120-12570	1		
8	エレメント ELEMENT	121120-12900	1		
9	キューキマニホールド MANIFOLD, air intake	171063-12700	1		
10	パッキン(マニホールド) PACKING, manifold	129350-12710	1		
11	ホースクリップ 60 CLAMP	23000-060000	2		

サイレンサ  
9. EXH. SILENCER

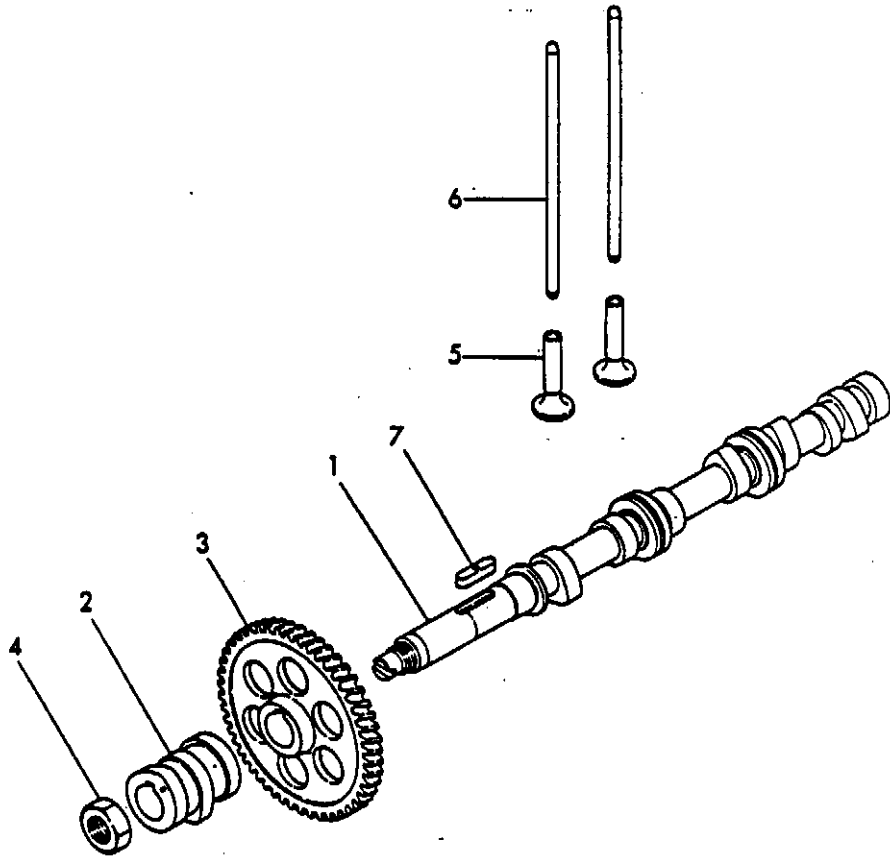


サイレンサ  
9. EXH. SILENCER

D29327-13100

18

図番 Refer No.	品名 DESCRIPTION	部品番号 PART NO.	1台分個数 QTY	互換性 Inter- change ability	備考 REMARKS
			3T84HLE-TB		
1	ガスケット(サイレンサ) GASKET, silencer	121450-13200	1		
2	ガスケット(マニホールド) GASKET, manifold	129350-13250	1		
3	サイレンサ SILENCER	129327-13500	1		
4	ハイキマニホールド MANIFOLD, exh.	×Refer to 90	1		129327-13510
5	ステー(サイレンサ) STAY, silencer	129327-13650	1		
6	ボルト(SW) 8×65 BOLT	121465-13652	4		
7	バネワッシャー 8 SPRING WASHER	22217-080000	4		
8	ツバボルト 8×14 BOLT	26106-080142	2		
9	ツバボルト 8×18 BOLT	26106-080182	2		
10	ウエコミボルト 8×22 STUD BOLT	26216-080222	4		
11	ツバツキナット 8 NUT	26366-080002	4		
90	ハイキマニホールド ASS'Y MANIFOLD ASS'Y, exh.	729327-13500	1		inc. 4.8.10.11

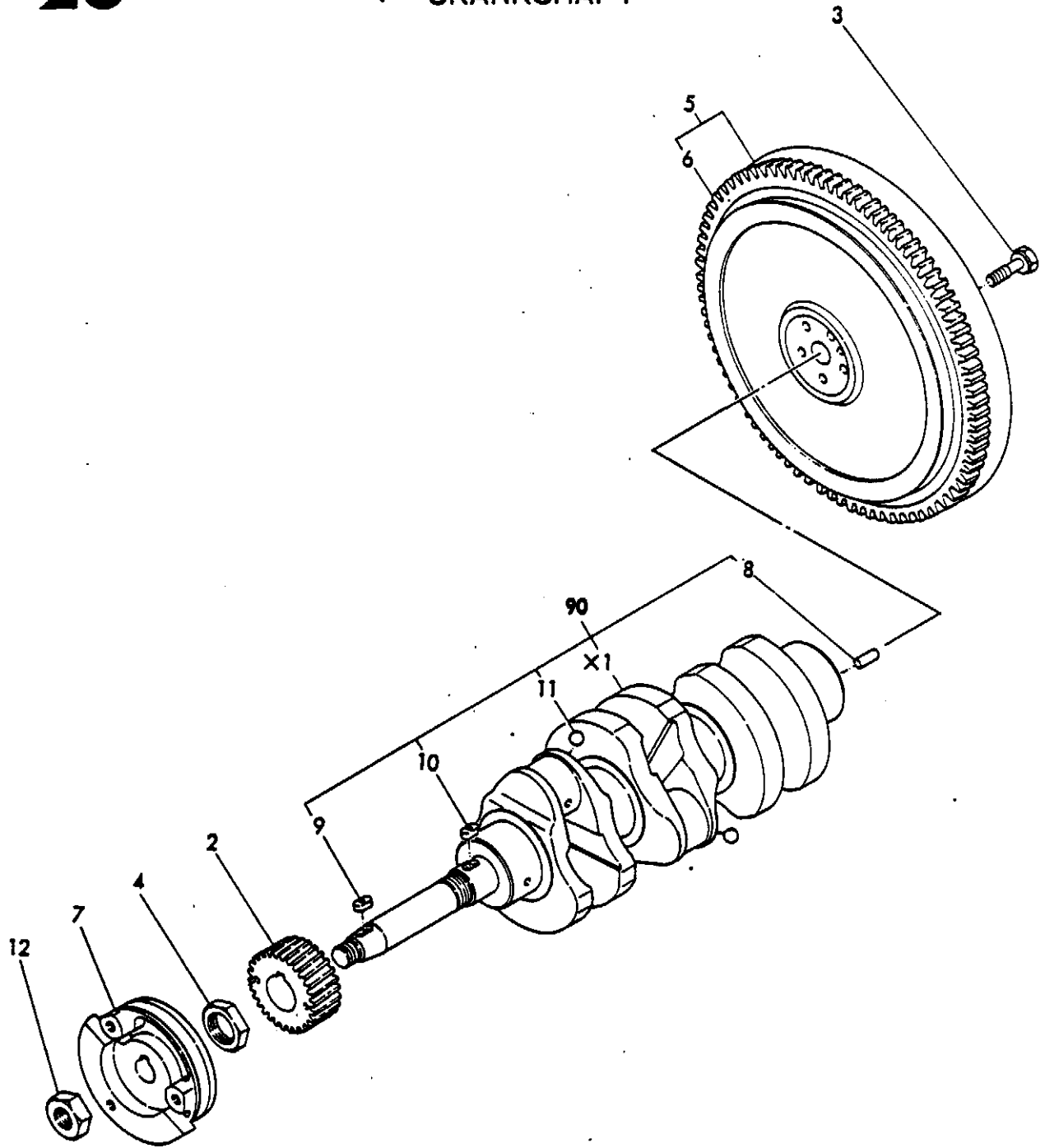


図番 Refer No.	品名 DESCRIPTION	部品番号 PART NO.	1台分個数 QTY	互換性 Inter- change- ability	備考 REMARKS
			3T34HLE-TB		
1	カムシャフト CAMSHAFT	129350-14010	1		
2	FOカム CAM, Ll. pump	121450-14090	1		
3	カムギヤ GEAR, camshaft	121023-14100	1		
4	ナット (カムギヤ) NUT, gear	121450-14120	1		
5	タペット TAPPET	104200-14200	6		
6	プッシュロッド ROD, push	129350-14400	6		
7	フェザーキー FEATHER KEY	22512-070300	1		



11. クランクシャフト  
CRANKSHAFT

D29327-21100





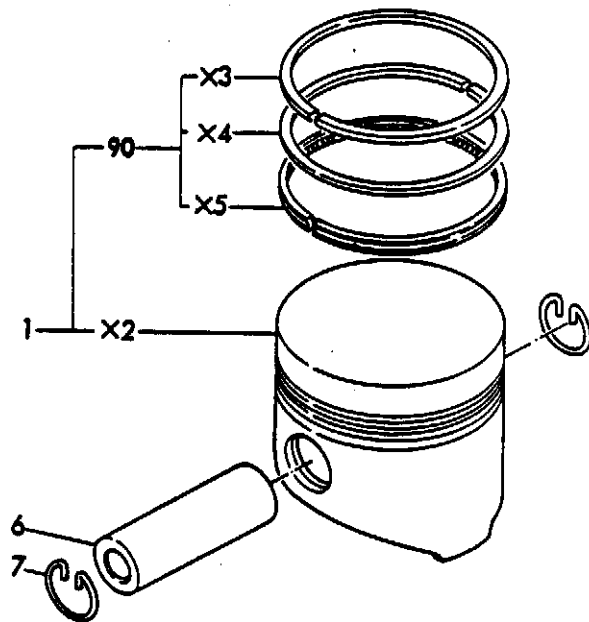
クランクシャフト  
11. CRANKSHAFT

D29327-21100

21

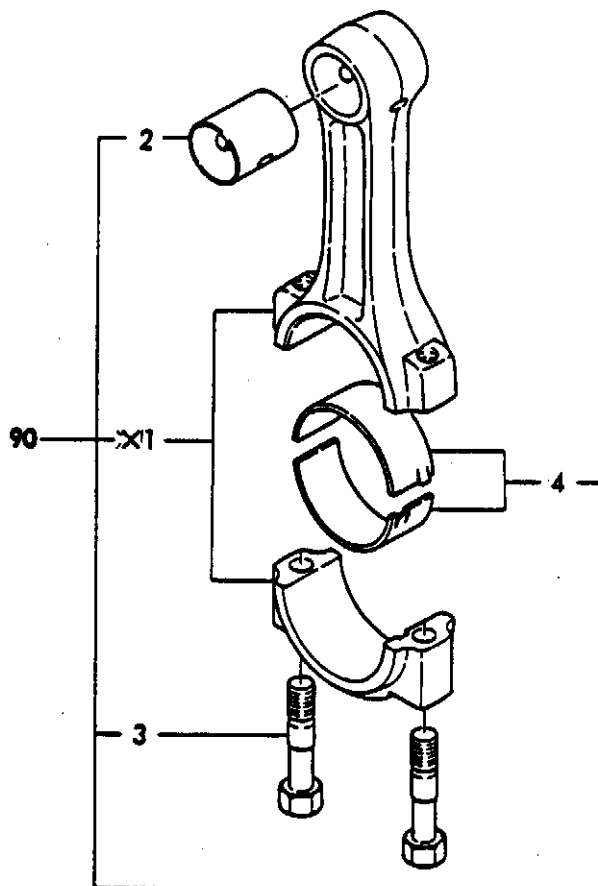
図番 Refer No.	品名 DESCRIPTION	部品番号 PART NO.	1台分個数 QTY	互換性 Inter- change- ability	備考 REMARKS
			3T84HLE-TB		
1	クランクシャフト CRANKSHAFT	×Refer to 90	1		129350-21010
2	クランクギヤ GEAR, crankshaft	121023-21200	1		
3	ボルト(フライホイール) BOLT, flywheel	105225-21500	5		
4	ナット 28(クランクギヤ) NUT, gear	121450-21541	1		
5	フライホイール COMP FLYWHEEL W/RING GEAR	171020-21590	1		Fig. 6
6	リングギヤ GEAR, ring	129350-21600	1		
7	Vプーリ(クランクシャフト) V-PULLEY, crankshaft	129335-21650	1		
8	ヘイコウピン 8×16 PARALLEL PIN	22312-080160	1		
9	フェザーキー 7×18 FEATHER KEY	22512-070180	1		
10	フェザーキー 7×18 FEATHER KEY	22512-070180	1		
11	コウキユフ ⅜ STEEL BALL	24190-080001	3		
12	トメナット(ホン) 18 LOCK NUT	26776-180002	1		
90	クランクシャフト ASS'Y CRANKSHAFT ASS'Y	729350-21700	1		Fig. 1.0-11

12. ピストン  
PISTON



図番 Refer No.	品 名 DESCRIPTION	部品番号 PART NO.	1 内分数量 QTY	互換性 Inter- change- ability	備 考 REMARKS
			3T84HLE-TB		
1	ピストン COMP PISTON W/RING	129367-22090	3		
2	ピストン PISTON	×Refer to 1	3		129367-22020
3	ピストンリング (1) RING No.1	×Refer to 90	3		129350-22110
4	ピストンリング (2) RING No.2	×Refer to 90	3		129350-22100
5	オイルリング RING, oil control	×Refer to 90	3		121252-22200
6	ピストンピン PIN, piston	103338-22300	3		
7	サークリップ (ピン) CIRCLIP, piston pin	103338-22400	6		
90	ピストンリングシクミ RING SET, piston	729350-22500	3		Fig. 3-5

13. コネクティングロッド  
CONNECTING ROD



図番 Refer No.	品名 DESCRIPTION	部品番号 PART NO.	1台分個数 QTY	互換性 Inter- change- ability	備考 REMARKS
			JTMHLE-TB		
1	コネクティングロッド ROD, connecting	×Refer to 90	3		129350-23100
2	ピストンピンメタル BUSH, piston pin	129350-23100	3		
3	ロッドボルト BOLT, connecting rod	104500-23201	6		
4	クランクピンメタル BEARING, crank pin	124060-23300	6		
90	コネクティングロッドシム ROD ASS'Y, connecting	729350-23100	3		図. 1-4

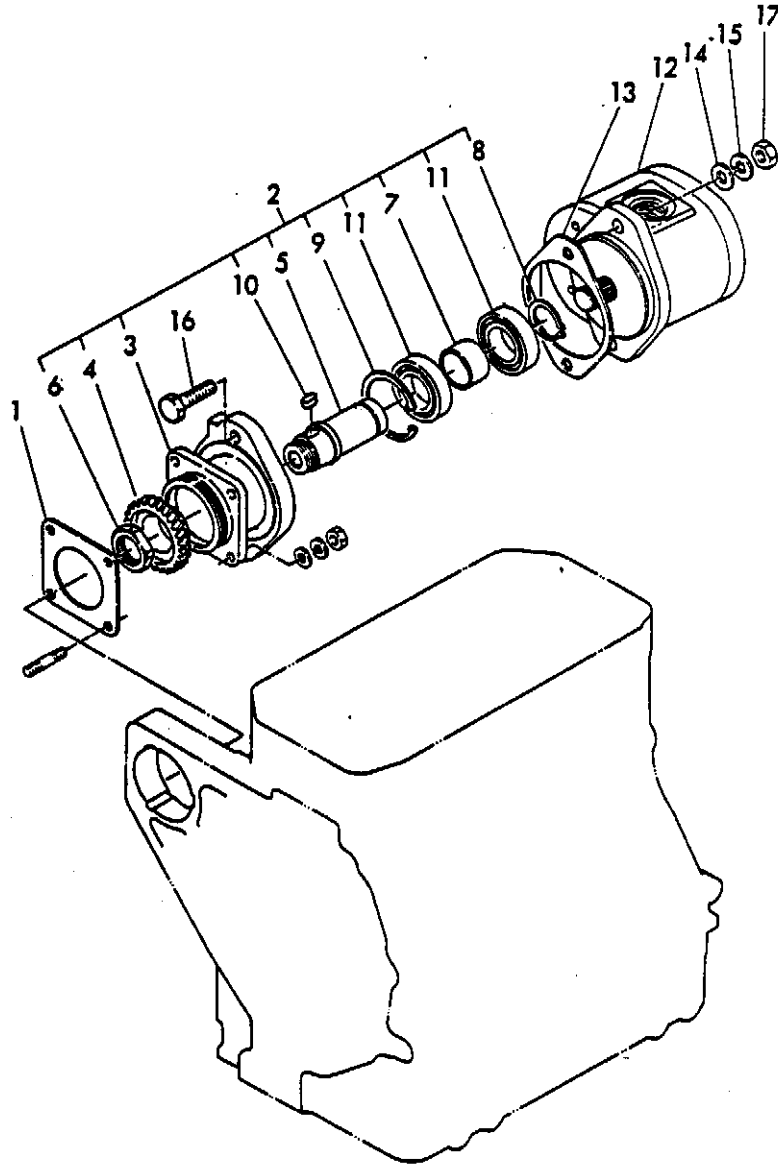
(0.25)

724064-23610

3

HOポンプクドウ  
14. HYD. OIL PUMP DRIVING

D29327 28100



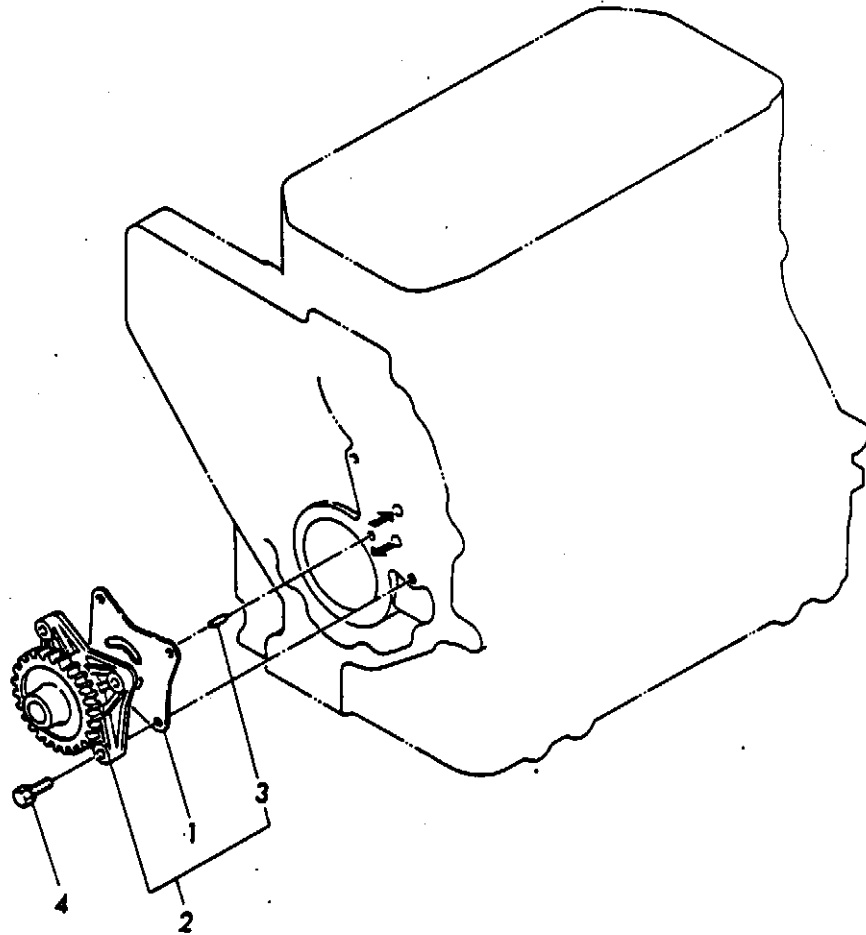
HOポンプクドウ  
14. HYD. OIL PUMP DRIVING

D29327-26100

25

図番 Refer No.	品名 DESCRIPTION	部品番号 PART NO.	1台分個数 QTY	互換性 Inter- change- ability	備考 REMARKS
			JTB4HLE-TB		
1	パッキン(HOポンプ) PACKING, bracket	124240-01882	1		
2	HOポンプクドウ COMP GEAR UNIT, pump driving	121023-26000	1		↑ inc. 3-11
3	トリツケダイ(HOポンプ) BRACKET, pump	121023-26050	1		
4	ギヤ(HOポンプクドウ) GEAR	121023-26200	1		
5	シャフト(HOポンプクドウ) SHAFT	121023-26401	1		
6	トメナット LOCK NUT	121023-26410	1		
7	スペーサ(タマジクウケ) SPACER, bearing	121023-26420	1		
8	トメワC(ジク) 29 CIRCLIP	22242-000290	1		
9	トメワC(アナ) 55 CIRCLIP	22252-000550	1		
10	フェザーキー 7×12 FEATHER KEY	22512-070120	1		
11	ボールベアリング 6006ZZ BALL BEARING	24107-060064	2		
12	HOポンプ(11.9CC) PUMP, hyd. oil	129327-26010	1		カヤノ(製)(KR14-12C) →ダイアビル機部品(307002-3160)
13	パッキン(HOポンプ) PACKING, pump	121023-26060	1		
14	ヒラザガネ(コマル) 10 WASHER	22117-100000	2		
15	バネザガネ 10 SPRING WASHER	22217-100000	2		
16	6カクボルト 10×40 BOLT	26206-100402	2		
17	ナット 10 NUT	26706-100002	2		

## 15. L.Oポンプ LUB. OIL PUMP

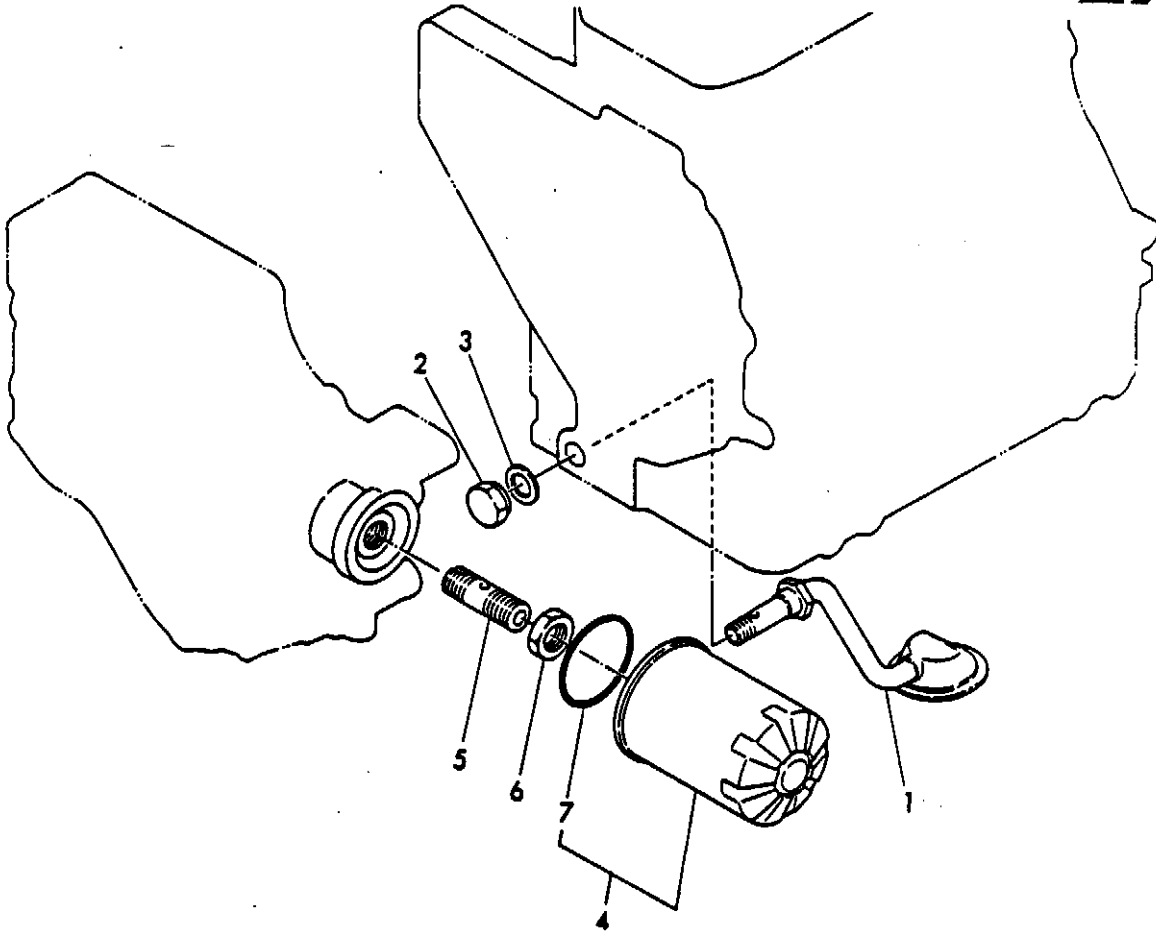


図番 Refer No.	品 名 DESCRIPTION	部品番号 PART NO.	1台分個数 QTY	互換性 Inter- change- ability	備 考 REMARKS
			3T84HLE-TB		
1	パッキン (ポンプフタ) PACKING, pump cover	121450-32021	1		
2	L.Oポンプ COMP PUMP ASS'Y. lub. oil	129350 32090	1		Fig. 3
3	ヘイコワピン PARALLEL PIN	121450-32050	1		
4	ボルト (SW) 6×22 BOLT	26013-060222	3		

16. LOコシキ  
LUB. OIL STRAINER

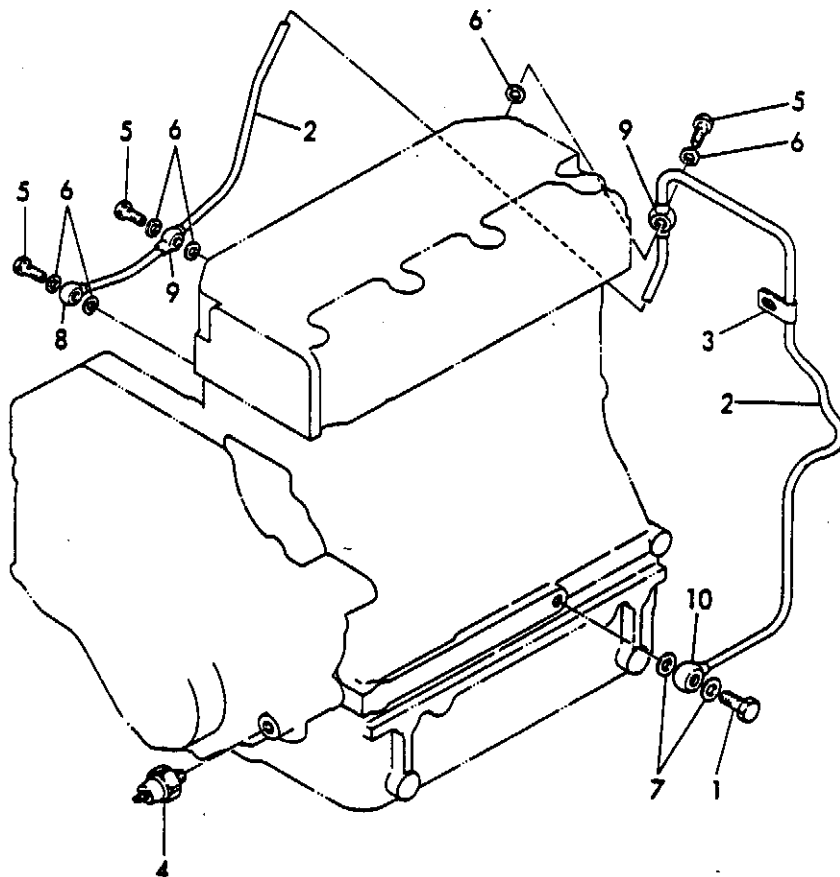
D29350-35100

27



図番 Refer No.	品名 DESCRIPTION	部品番号 PART NO.	1 内分個数 QTY	代 換 性  Inter- change- ability	備 考  REMARKS
			3784HL-TB		
1	キユフニユウカン COMP (LO) PIPE COMP. inlet	129350-35090	1		
2	フクロナット PF⅓ CAP NUT	121550-35100	1		
3	パッキン (マル) 18 PACKING	121550-35110	1		
4	オイルフィルタ STRAINER. lub. oil	124550-35110	1		図 7
5	LOチョウアツベン COMP VALVE COMP. control	124085-35300	1		
6	トメナット 20 (LOチョウアツベン) LOCK NUT	124085-35350	1		
7	Oリング O-RING	124450-35110	1		

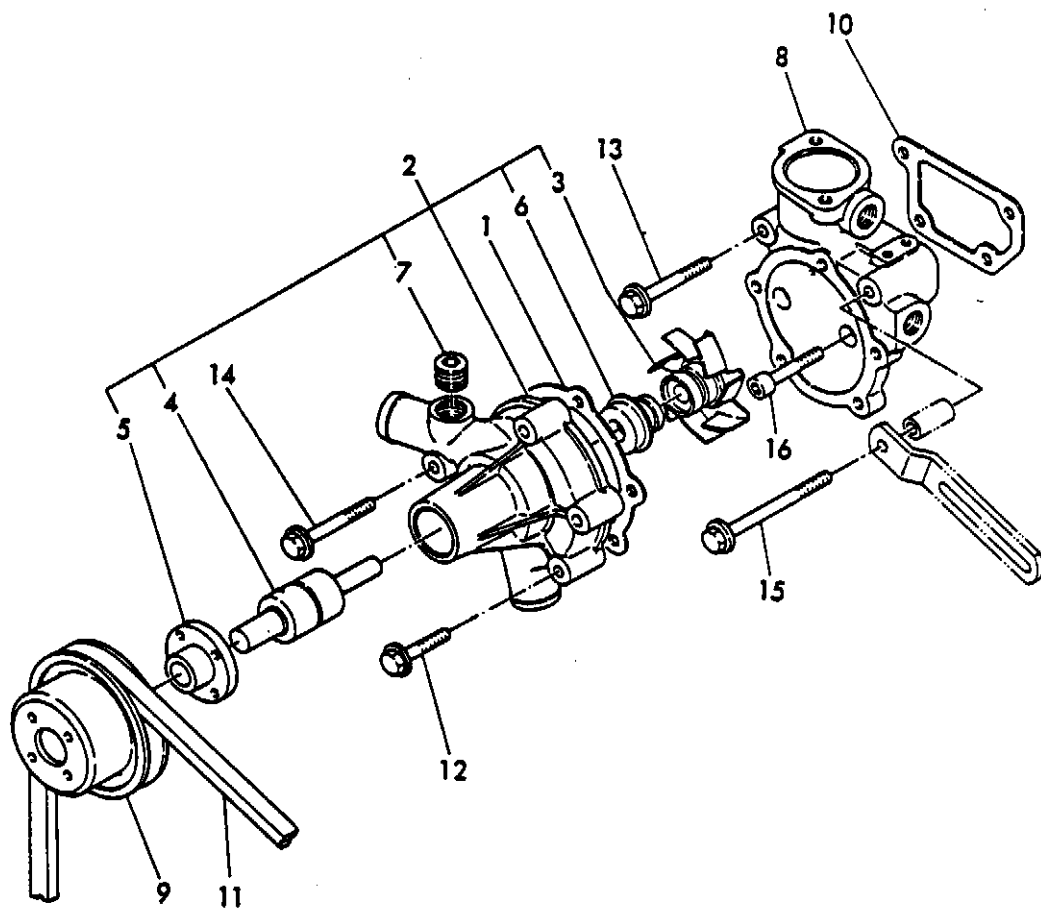
## 17. LOパイプ LUB. OIL LINES



図番 Refer No.	品名 DESCRIPTION	部品番号 PART NO.	1台分個数 QTY	互換性 Inter-changeability	備考 REMARKS
			JTB4HLE-TB		
1	カンツギテボルト 10 BOLT, pipe joint	124160-39140	1		
2	LOパイプ COMP PIPE, lub. oil	129350-39200	1		Fig. 8-10
3	フレドメ (LOパイプ) RETAINER	124450-39240	1		
4	ユアツスイッチ (0.5KG) SENDER, oil pressure	124160-39450	1		
5	カンツギテボルト 8 BOLT, pipe joint	124550-59820	3		
6	パッキン (マル) 8 PACKING	23414-080000	6		
7	パッキン (マル) 10 PACKING	23414-100000	2		
8	カンツギテ (カタクテ) 8 JOINT	103288-39170	1		
9	カンツギテ (リョウクテ) 8 JOINT	124450-39180	2		
10	カンツギテ (カタクテ) 10 JOINT	124160-39540	1		





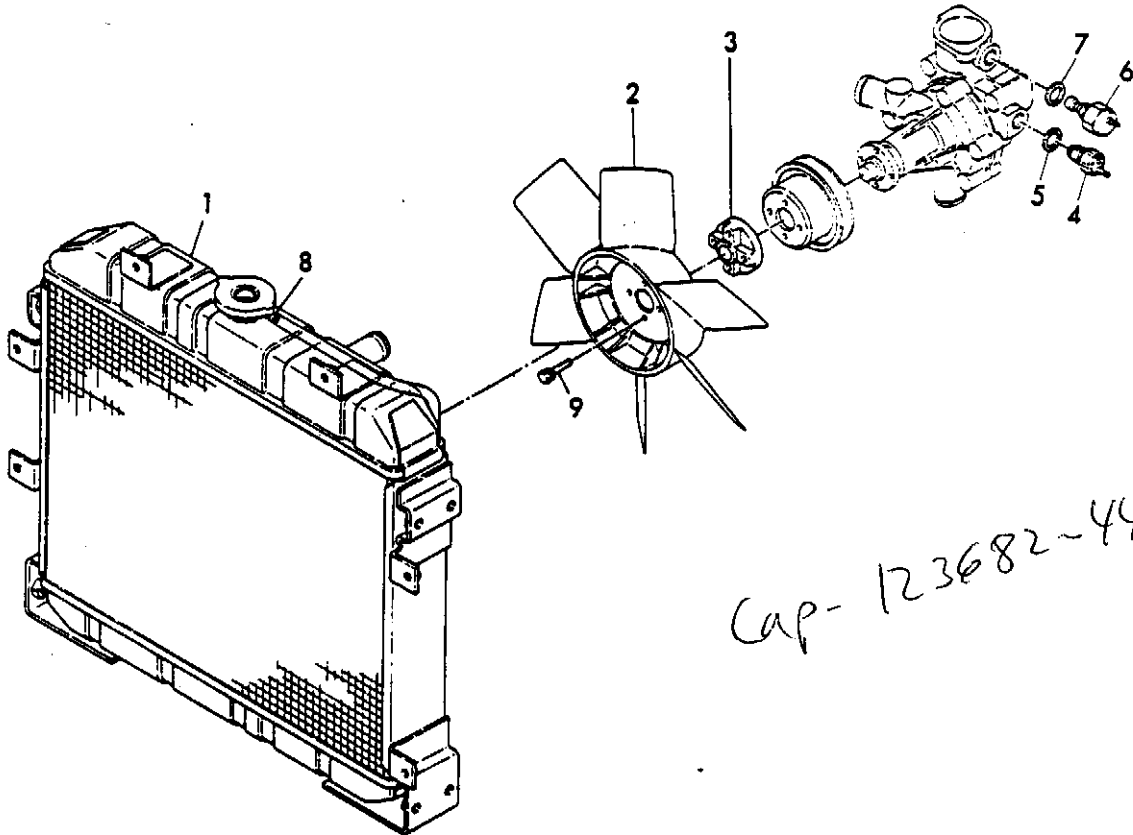


CWポンプ  
18. COOLING WATER PUMP

D29327-42100

30

図番 Refer No.	品名 DESCRIPTION	部品番号 PART NO.	1台分個数 QTY	互換性 Inter- change- ability	備考 REMARKS
			3T84HLE-TB		
1	パッキン(CWポンプホンタイ) PACKING. pump body	129327-42051	1		
2	CWポンプホンタイ COMP PUMP ASS'Y. cooling water	129327-42100	1		図 3-7
3	インペラ IMPELLER	121252-42200	1		
4	シャフトベアリング SHAFT. o.w. pump	121252-42240	1		
5	フランジ(プーリ) FLANGE. v-pully	121252-42260	1		
6	メカニカルシール SEAL. mechanical	121450-42310	1		
7	テーパプラグ PT PLUG	23871-030000	1		
8	トリツケダイ(CWポンプ) BRACKET. c.w. pump	129327-42120	1		
9	Vプーリ(CWポンプ) V-PULLY. c.w. pump	129335-42250	1		
10	パッキン(トリツケダイ) PACKING. bracket	121450-44410	1		
11	Vベルト(A:35インチ) V-BELT (A:35inch)	171022-44960	1		
12	ツバボルト 8×40 BOLT	26106-080402	4		
13	ツバボルト 8×60 BOLT	26106-080602	1		
14	ツバボルト 8×60 BOLT	26106-080602	1		
15	ツバボルト 8×90 BOLT	26106-080902	1		
16	6カクアナボルト 8×45 BOLT	26450-080452	2		



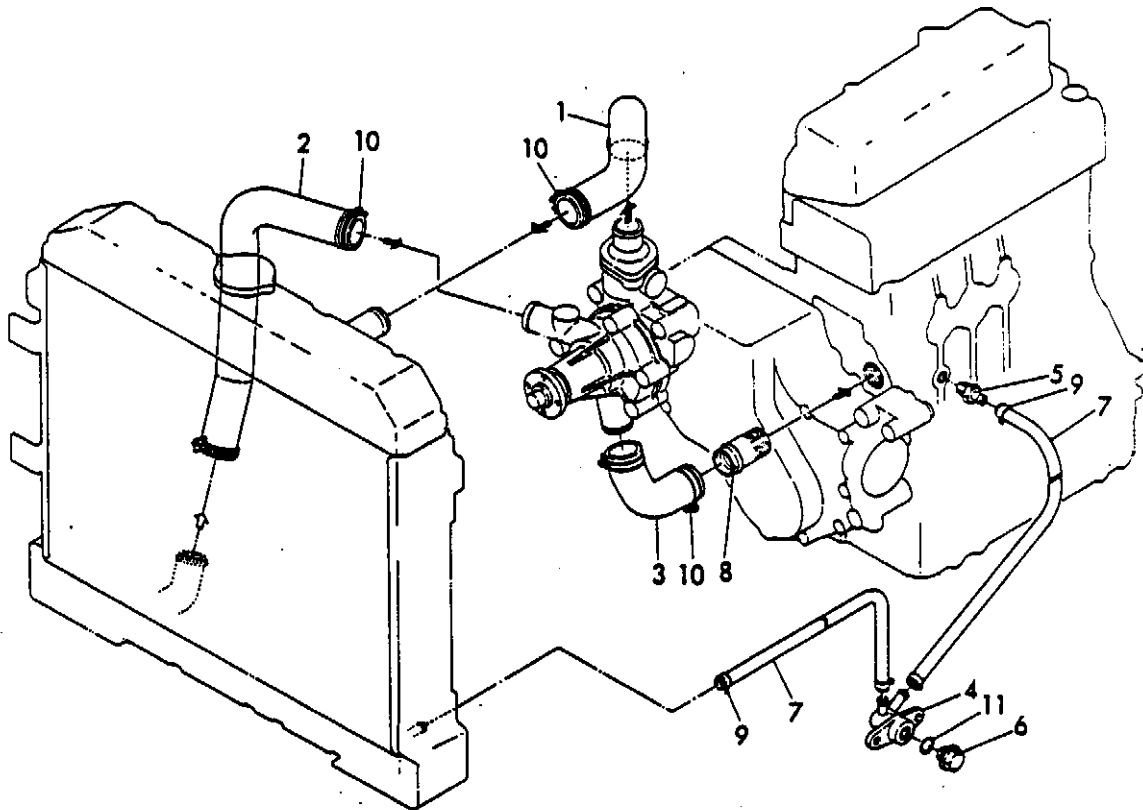
Cap-123682-44210

図番 Refer No.	品名 DESCRIPTION	部品番号 PART NO.	1台分個数 QTY	互換性 Inter change ability	備考 REMARKS
			JTB4HLE-TB		
1	ラジエータ RADIATOR	129327-44501	1		
2	ファン FAN, radiator	129327-44740	1		
3	スペーサ (ファン) SPACER, fan	121267-44760	1		
4	サーモスイッチ SENDER, c.w. temp	121250-44901	1		
5	パッキン (マル) 16 PACKING	124465-44950	1		
6	スイオンケンシュツキ SENDER, c.w. temp	124250-49351	1		
7	パッキン (スイオンケンシュツキ) PACKING	124250-49360	1		
8	クランプ (プレザバイブ) CLAMP	124160-01650	1		
9	ボルト (ヒラ、バネ) 6×35 BOLT	26014-060352	4		

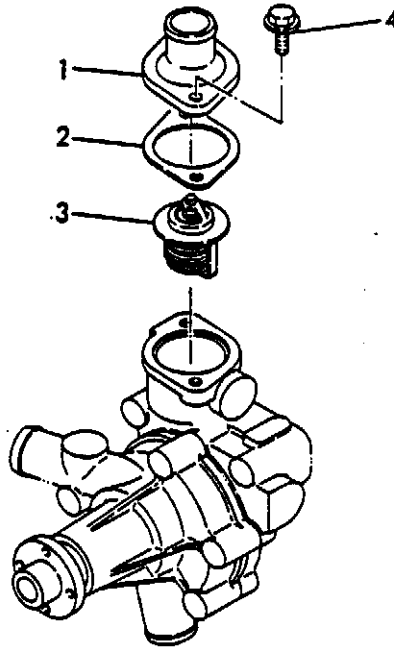
CWパイプ  
20. COOLING WATER LINES

D29327-49100

32



図番 Refer. No.	品名 DESCRIPTION	部品番号 PART NO.	1台分組数 QTY	互換性 Inter- change- ability	備考 REMARKS
			3T84HLE-TB		
1.	CWパイプ (A) PIPE (cyl. head→radiator)	129327-49010	1		
2.	CWパイプ (B) PIPE (radiator→c.w. pump)	129327-49020	1		
3.	CWパイプ (C) PIPE (c.w. pump→cyl. block)	129301-49030	1		
4.	サンボウコックホンタイ BODY, 3-way cock	121450-49100	1		
5.	ツギテ(ミズスキパイプ) JOINT, c.w. pipe	121550-49111	1		
6.	プラグ(ミズスキ) PLUG, drain	121250-49121	1		
7.	ミズスキパイプ (A) PIPE (A), drain	124722-49150	2		
8.	ツギテ(CWパイプ) JOINT, c.w. pipe	124160-49480	1		
9.	ホースクリップ(マル) 12 CLAMP	124766-59050	4		
10.	ホースバンド 38 CLAMP	23010-038000	6		
11.	Oリング 1A P 16.0 O-RING	24311-000160	1		

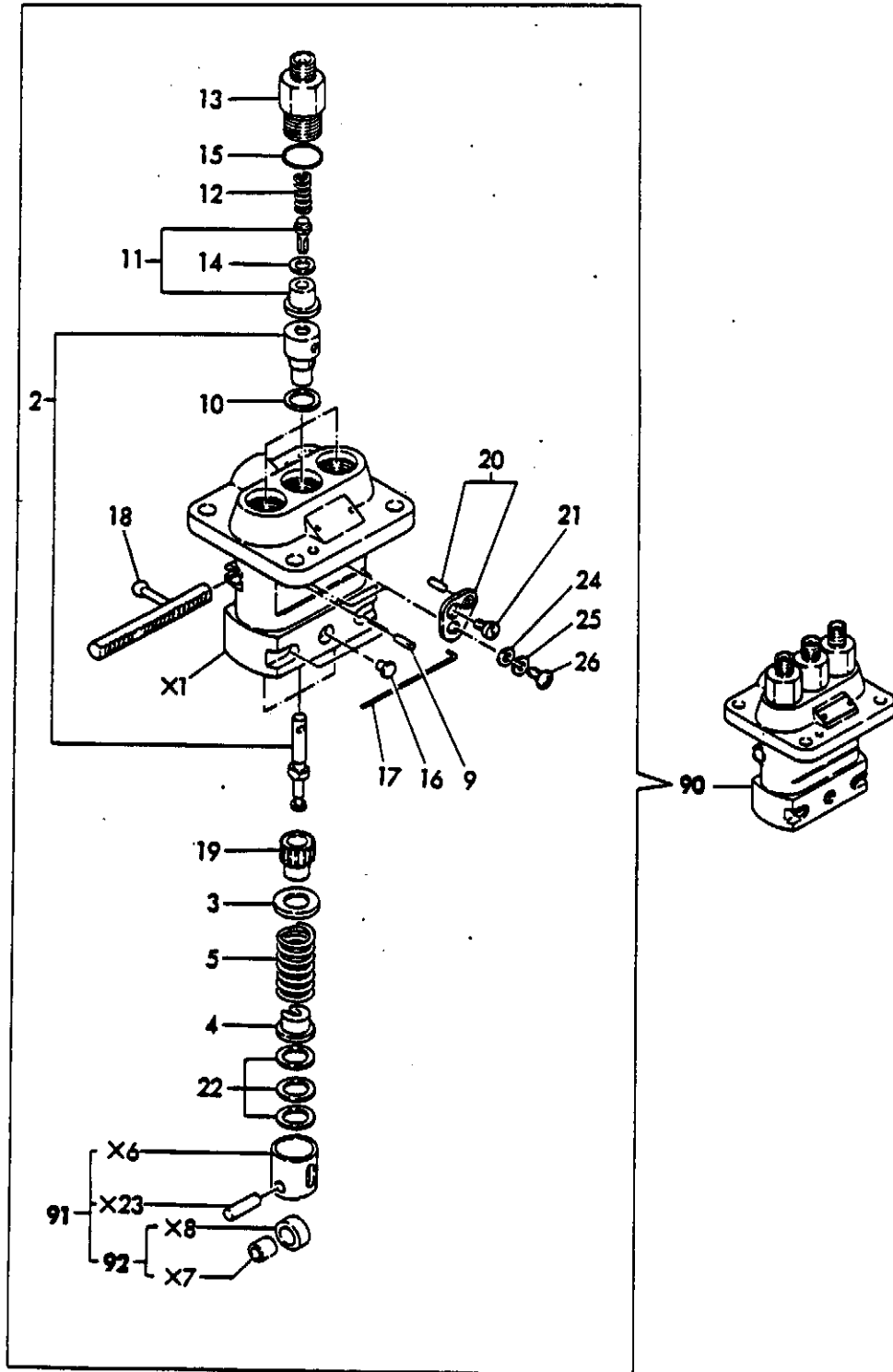


図番 Refer No.	品 名 DESCRIPTION	部 品 番 号 PART NO.	1台分個数 QTY	互 換 性  Inter- change- ability	備 考 REMARKS
			JT34HLE-TB		
1	カバー(サーモスタット) COVER, thermostat	129350-49530	1		
2	パッキン(サーモスタットカバー) PACKING, cover	129350-49540	1		
3	サーモスタット 71 THERMOSTAT	129350-49800	1		
4	ツバボルト 8×18 BOLT	26106-080182	2		



## 22. FOファンシャポンプ FUEL INJECTION PUMP

D21550-51100





22. FOポンシャポンプ  
FUEL-INJECTION PUMP

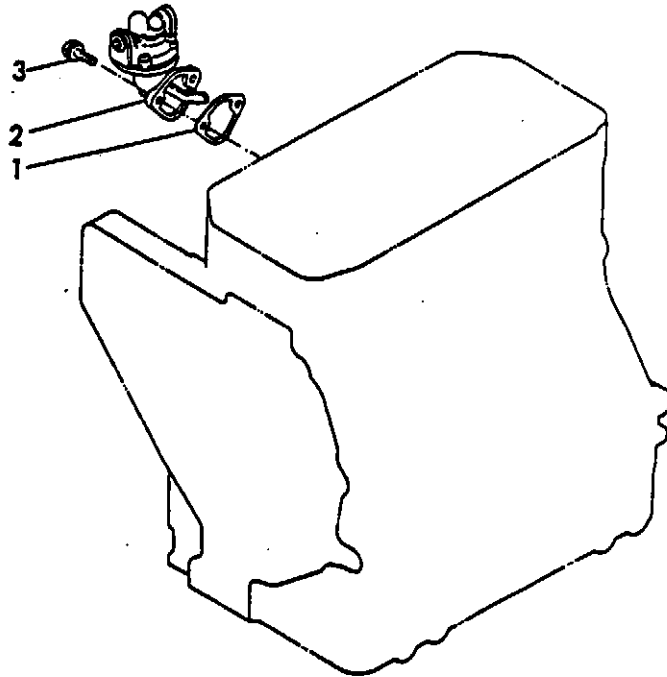
図番 Refer No.	品名 DESCRIPTION	部品番号 PART NO.	1台分個数 QTY	互換性	備考 REMARKS
			3T34HLE-TB	Inter- change ability	
1	ホントイ (FOポンシャP) BODY, f.i. pump	×Refer to 90	1		121450-51010
2	フランジバレル COMP PLUNGER W/BARREL	121550-51100	3		
3	バネウケA (フランジヤ) RETAINER (A)	174307-51170	3		
4	バネウケB (フランジヤ) RETAINER (B)	174307-51181	3		
5	バネ (フランジヤ) SPRING, plunger	124950-51190	3		
6	フランジヤガイド GUIDE, plunger	×Refer to 91	3		124550-51200
7	ローラ (ウチガワタベット) ROLLER, inside	×Refer to 92	3		111100-51210
8	ローラ (ソトガワタベット) ROLLER, outside	×Refer to 92	3		111100-51220
9	ピン (フランジヤバレル) STOPPER	103854-51251	1		
10	パッキン (バレル) PACKING, barrel	124950-51270	3		
11	デリベリバルブ COMP VALVE W/SEAT, delivery	124060-51300	3		
12	バネ (デリベリバルブ) SPRING, delivery valve	124550-51320	3		
13	ホルダー (デリベリ) HOLDER, valve	124550-51341	3		
14	パッキン (デリベリ) PACKING, delivery valve	124550-51350	3		
15	Oリング (デリベリ) O-RING	124550-51370	3		
16	ガイドピース STOPPER	124950-51450	3		
17	ピン (ガイドマフリドメ) PIN	121150-51460	1		
18	ラック COMP RACK ASS'Y	121450-51500	1		
19	ピニオン PINION	124950-51510	3		
20	FOチョウセイパン COMP SHIM KIT	124950-51640	2		
21	チョウセイネジ (プレート) SCREW, shim	103854-51660	2		
22	シム (フランジヤ) COMP SHIM COMP.	174307-51700	3		
23	ピン (タベットローラ) PIN	×Refer to 91	3		174100-54120
24	ワッシャ 5 WASHER	22117-050000	2		
25	スプリングワッシャ 5 SPRING WASHER	22217-050000	2		

36

FOファンシャポンプ  
22. FUEL INJECTION PUMP

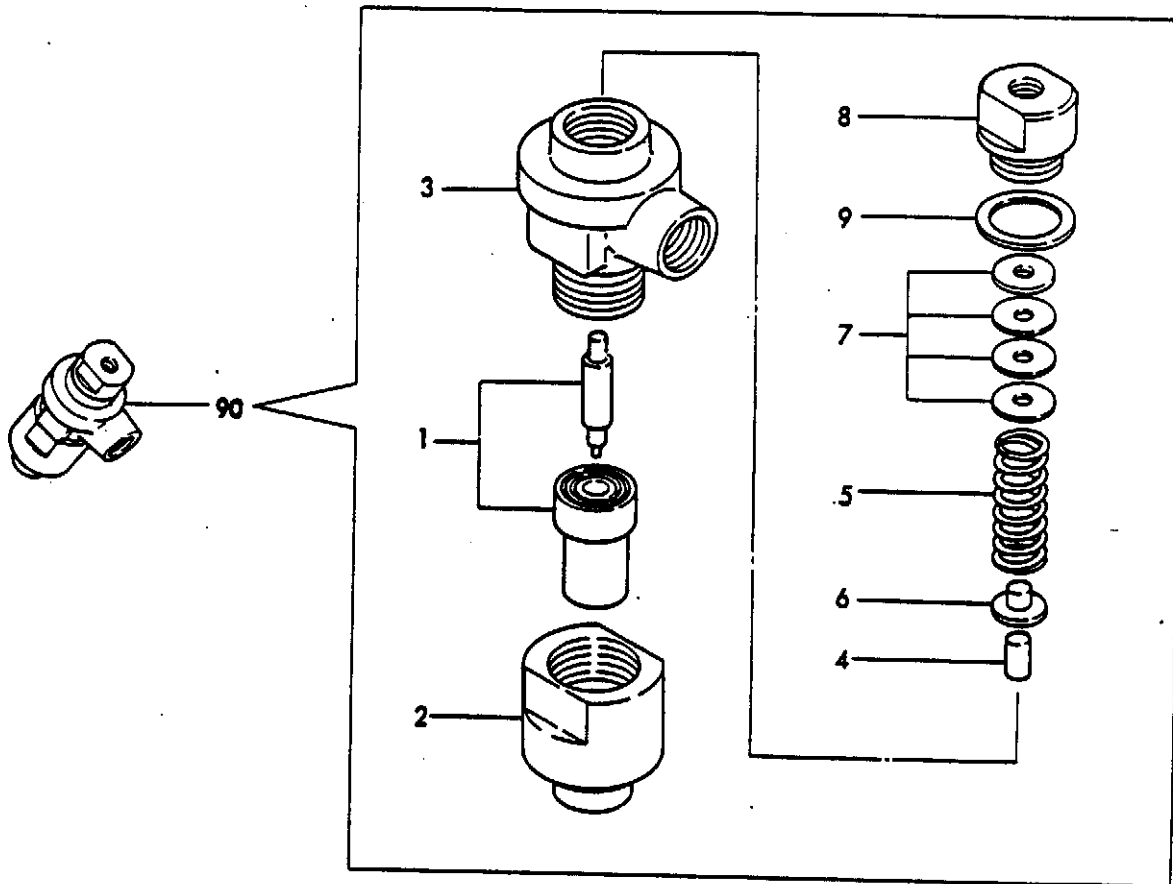
図番 Refer No.	品名 DESCRIPTION	部品番号 PART NO.	1台分個数 QTY	互換性 Inter- change- ability	備考 REMARKS
			3TB4HLE-TB		
26	バインドスクリュー 5×10 BIND SCREW	26587-050102	2		
90	FOファンシャポンプ ASS'Y PUMP ASS'Y. fuel injection	721550-51700	1		☆ inc. 1-26
91	プランジャガイド ASS'Y GUIDE ASS'Y. plunger	724550-51520	3		☆ inc. 6-8.23
92	ローラ (プランジャガイド) ROLLER SET	711100-51540	3		☆ inc. 7.8

フィードポンプ  
23. FUEL FEED PUMP



図番 Refer No.	品名 DESCRIPTION	部品番号 PART NO.	1台分個数 QTY	互換性 Inter- change- ability	備考 REMARKS
			3TMHLE-TB		
1	パッキン(フィードポンプ) PACKING, feed pump	121520-01850	1		
2	フィードポンプ PUMP, fuel feed	121256-52020	1		
3	ボルト(ヒラ+バネ) 6 BOLT	26014-060182	2		

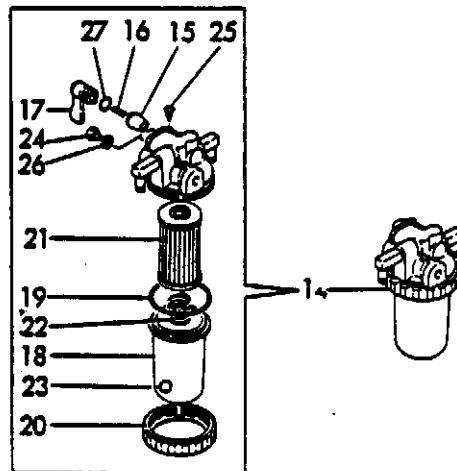
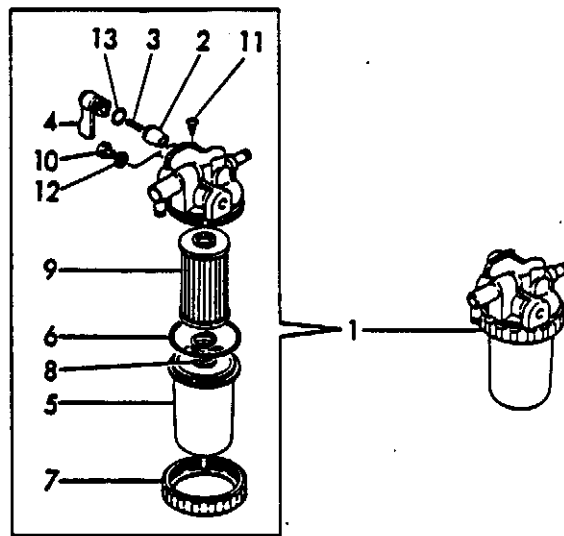
## 24. FOフンシャベン FUEL INJECTION VALVE



図番 Refer No.	品名 DESCRIPTION	部品番号 PART NO.	1 内分数量 QTY	凡 換 性 異 種 取 替 可 能 性	備 考 REMARKS
			JTBHLE-TB		
1	ノズル COMP VALVE W/CASE	124770-53000	3		
2	ケースナット HOLDER, valve	104500-53080	3		
3	FOフンシャベン本体 BODY, fuel injection valve	103854-53100	3		
4	インタスピンドル SPINDLE, inter	113200-53110	3		
5	ノズルスプリング SPRING, valve	103854-53120	3		
6	ウケ (スプリング) RETAINER, spring	113200-53120	3		
7	チョウセイシム COMP SHIM SET	110250-53150	3		
8	オサエ (ノズルスプリング) HOLDER, spring	103854-53180	3		
9	パッキン (オサエ) PACKING, holder	172100-53200	3		
90	FOフンシャベンASS'Y VALVE ASS'Y, fuel injection	704571-53100	3		2 In. 1-8



25. FOコシキ  
FUEL STRAINER

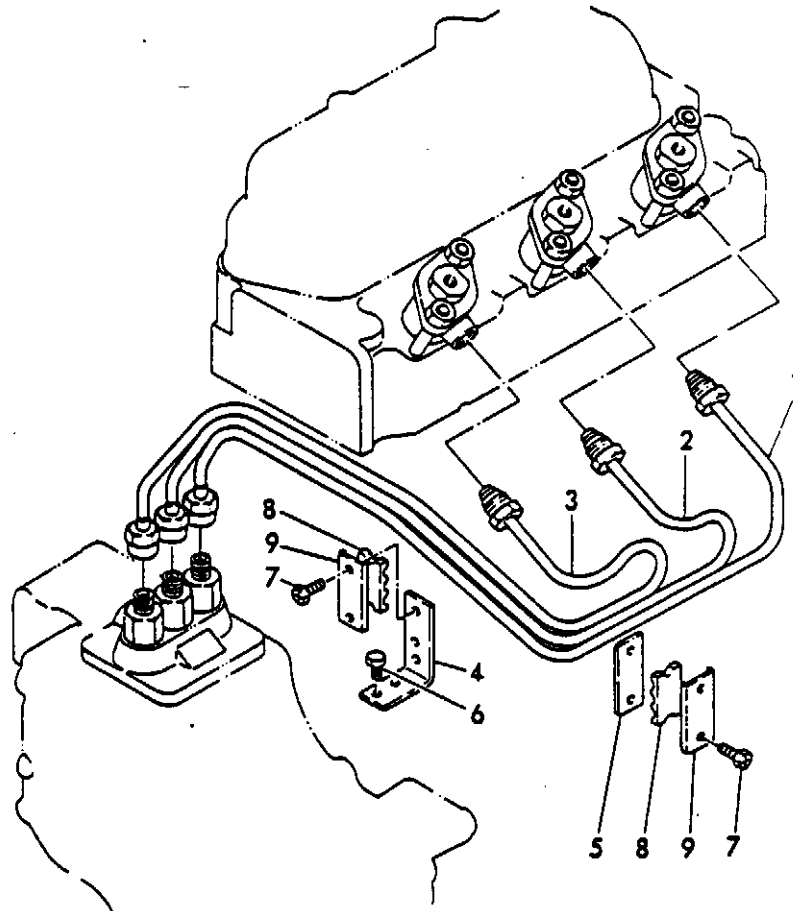


25. FOコシキ  
FUEL STRAINER

D29327-55100

40

図番 Refer No.	品名 DESCRIPTION	部品番号 PART NO.	1台分個数 QTY	互換性 Inter- change- ability	備考 REMARKS
			JT84HLE-TB		
1	FOコシキ COMP STRAINER ASS'Y. fuel	129327-55600	1		Fig. 2-13
2	テーパバルブ VALVE, taper	104200-55321	1		
3	スプリング(テーパバルブ) SPRING, valve	104200-55330	1		
4	ハンドル(FOコック) HANDLE, cock	104200-55341	1		
5	オオイ(FOコシキ) BOWL, element	124550-55510	1		
6	Oリング(オオイ) O-RING	102103-55520	1		
7	リテーニングリング RETAINER, bowl	110250-55610	1		
8	スプリング(エレメント) SPRING, element	121250-55620	1		
9	エレメント(FOコシキ) ELEMENT, strainer.	124550-55700	1		
10	6 カクプラグ 6 (エアースキ) PLUG	101720-55750	2		
11	ラウンドスクリュ 4(FOコックハンドル) SCREW	104200-55750	1		
12	パッキン(マル) 6 PACKING	23418-060000	2		
13	Oリング 1A P10.0A O-RING	24311-240100	1		
14	ウォーターセパレータ COMP WATER SEPARATER ASS'Y	129335-55700	1		Fig. 15-27
15	テーパバルブ VALVE, taper	104200-55321	1		
16	スプリング(テーパバルブ) SPRING	104200-55330	1		
17	ハンドル(FOコック) HANDLE	104200-55341	1		
18	オオイ(FOコシキ) BOWL	124064-55510	1		
19	Oリング(オオイ) O-RING	102103-55520	1		
20	リテーニングリング RETAINER, bowl	110250-55610	1		
21	スクリーン(30メッシュ) SCREEN	121257-55710	1		
22	スプリング(スクリーン) SPRING	121257-55720	1		
23	フロート、スイイ FLOAT	121257-55730	5		
24	6 カクプラグ 6 (エアースキ) PLUG	101720-55750	2		
25	ナベコネジ 4(FOコックハンドル) SCREW	104200-55750	1		
26	パッキン(マル) 6 PACKING	23418-060000	2		
27	Oリング 1A P10.0 O-RING	24311-240100	1		

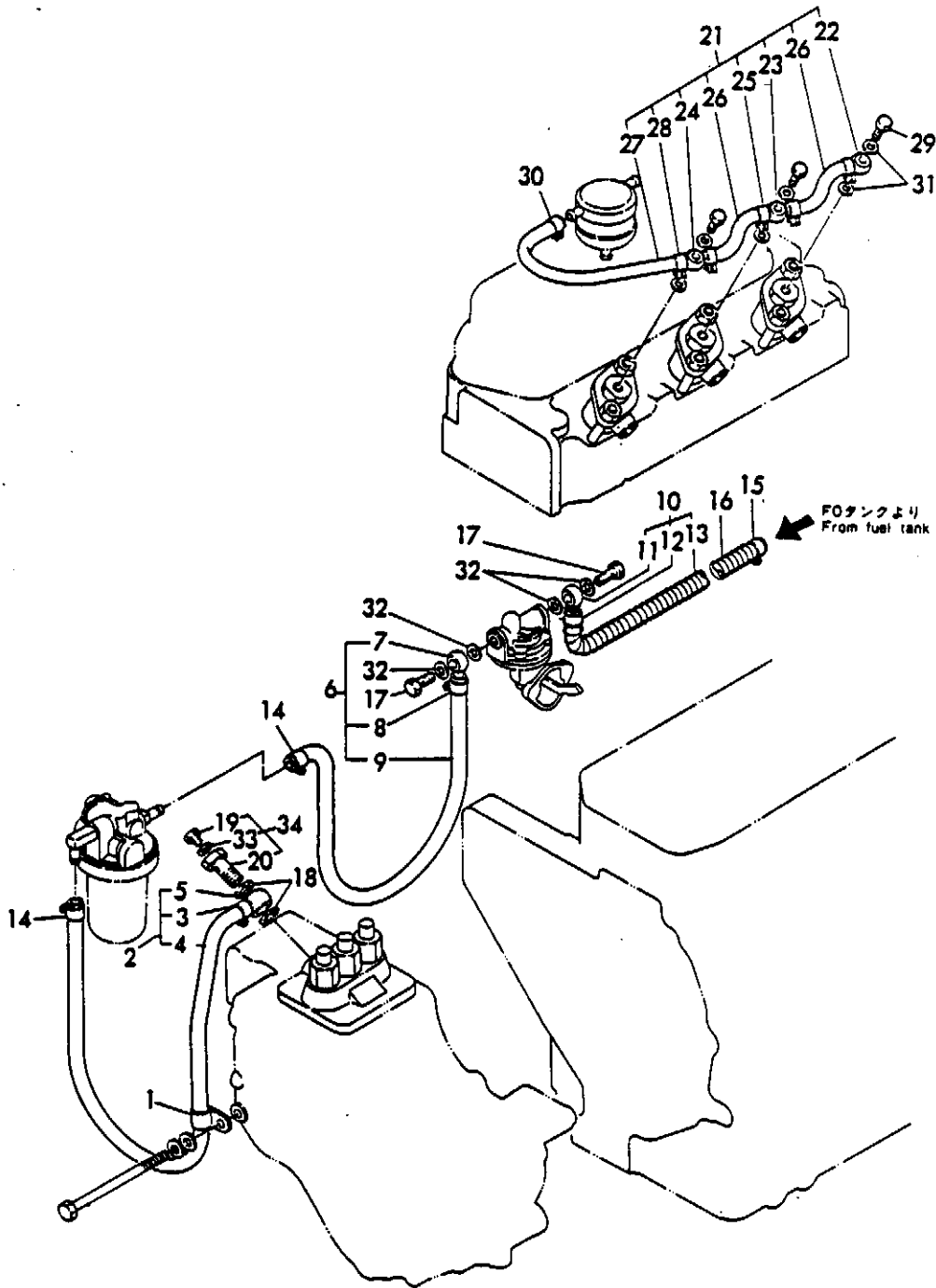


図番 Refer No.	品名 DESCRIPTION	部品番号 PART NO.	1台分個数 QTY	互換性 Inter- change- ability	備考 REMARKS
			JTMHLE-TB		
1	FOファンシャパイプ COMP (No.1) PIPE (No.1), fuel injection	129350-59810	1		
2	FOファンシャパイプ COMP (No.2) PIPE (No.2), fuel injection	129350-59820	1		
3	FOファンシャパイプ COMP (No.3) PIPE (No.3), fuel injection	129350-59830	1		
4	フレドメダイ A BRACKET (A), pipe	121450-59850	1		
5	フレドメダイ B RETAINER	121250-59860	1		
6	ボルト 6×10 BOLT	26116-060102	2		
7	ボルト (ジュウジアナ) BOLT	121465-59950	4		
8	フレドメ PAD	123325-59100	2		
9	カバー (フレドメ) RETAINER	123325-59110	2		





27. FOパイプ  
FUEL LINE



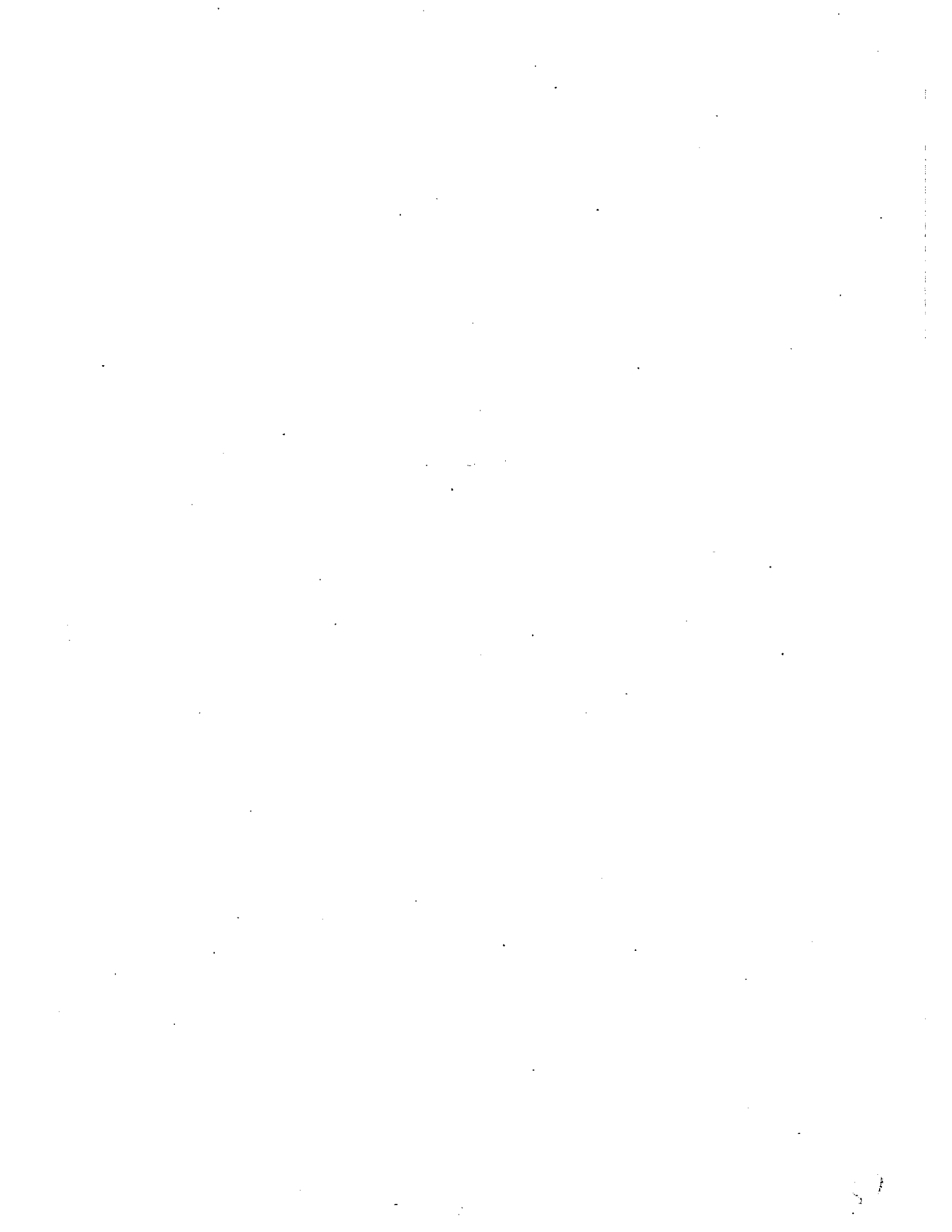
27. FOパイプ  
FUEL LINE

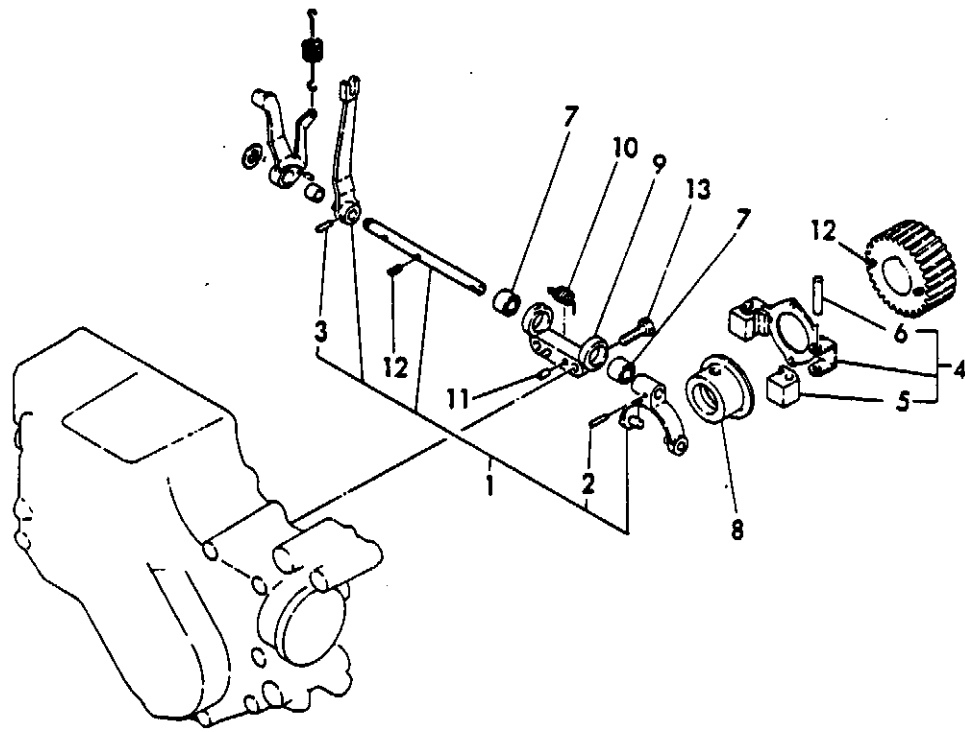
D29327-59200

43

図番 Refer No.	品 名 DESCRIPTION	部 品 番 号 PART NO.	1台分個数 QTY	互換性 Inter- change ability	備 考 REMARKS
			3T84HLE-TB:		
1	クランプ CLAMP	124160-01650	1		
2	FOパイプ COMP PIPE ASS'Y (strainer-feed pump)	124732-59011	1		☆ Inc. 3-5
3	ホースクリップ(マル) 12 CLAMP	124766-59050	1		
4	FOパイプ(L=1000) PIPE, fuel	124732-59080	1		
5	カンツギテ(カタクナ) 12 JOINT, pipe	101304-59020	1		
6	FOパイプ COMP PIPE ASS'Y (feed pump-strainer)	129301-59020	1		☆ Inc. 7-9
7	カンツギテ(カタクナ) 8 JOINT, pipe	104264-59030	1		
8	ホースクリップ(マル) 12 CLAMP	124766-59050	1		
9	FOパイプ(D12×L850) PIPE, fuel	121137-59090	1		
10	FOパイプ COMP PIPE ASS'Y (fuel tank-feed pump)	121022-59030	1		☆ Inc. 11-13
11	カンツギテ(カタクナ) 8 JOINT, pipe	104264-59030	1		
12	ホースクリップ(マル) 12 CLAMP	124766-59050	1		
13	FOパイプ(L=1350) PIPE, fuel	121522-59080	1		
14	ホースクリップ(マル) 12 CLAMP	124766-59050	2		
15	ホースクリップ(マル) 12 CLAMP	124766-59050	1		
16	ホゴバネ(L=1350) SPRING, pipe	121522-59060	1		
17	カンツギテボルト 8 BOLT, pipe joint	105582-59150	2		
18	パッキン(マル) 12 PACKING	104200-59170	2		
19	6 カクフラグ 6 (エアースキ) PLUG	124060-59380	1		
20	カンツギテボルト 12(エアースキアナツキ) BOLT, pipe joint	103854-59201	1		
21	FOパイプモドシ COMP PIPE ASS'Y, fuel return	129327-59500	1		☆ Inc. 21-24
22	カンツギテ(カタクナ) JOINT, pipe	124450-59030	1		
23	カンツギテ(リョウクナ) 8 JOINT, pipe	121750-59090	1		
24	カンツギテ(リョウクナ) 8 JOINT, pipe	124550-59090	1		
25	ホースクリップ(マル) 8 CLAMP	124066-59100	4		

図番 Refer No.	品 名 DESCRIPTION	部 品 番 号 PART NO.	1台分個数 QTY	互 換 性  Inter- change- able	備 考 REMARKS
			3T84HLE-TB		
26	FOパイプモドシ PIPE (valve~valve)	129350-59550	2		
27	FOパイプモドシ(L=1400) PIPE (valve~tank)	121492-59570	1		
28	ホースクリップ(マル) 10 CLAMP	124060-77680	1		
29	カンツギナボルト 8 BOLT, pipe joint	101147-59810	3		
30	ホースクリップ(マル) 10 CLAMP	124060-77680	1		
31	パッキン(コマル) 8 PACKING	23414-080012	6		
32	パッキン(コマル) 8 PACKING	23414-080012	4		
33	シールワッシャー 6S SEAL WASHER	43400-500390	1		
34	カンツギナボルト 12 COMP BOLT, pipe joint	103854-59191	1		19.20.33





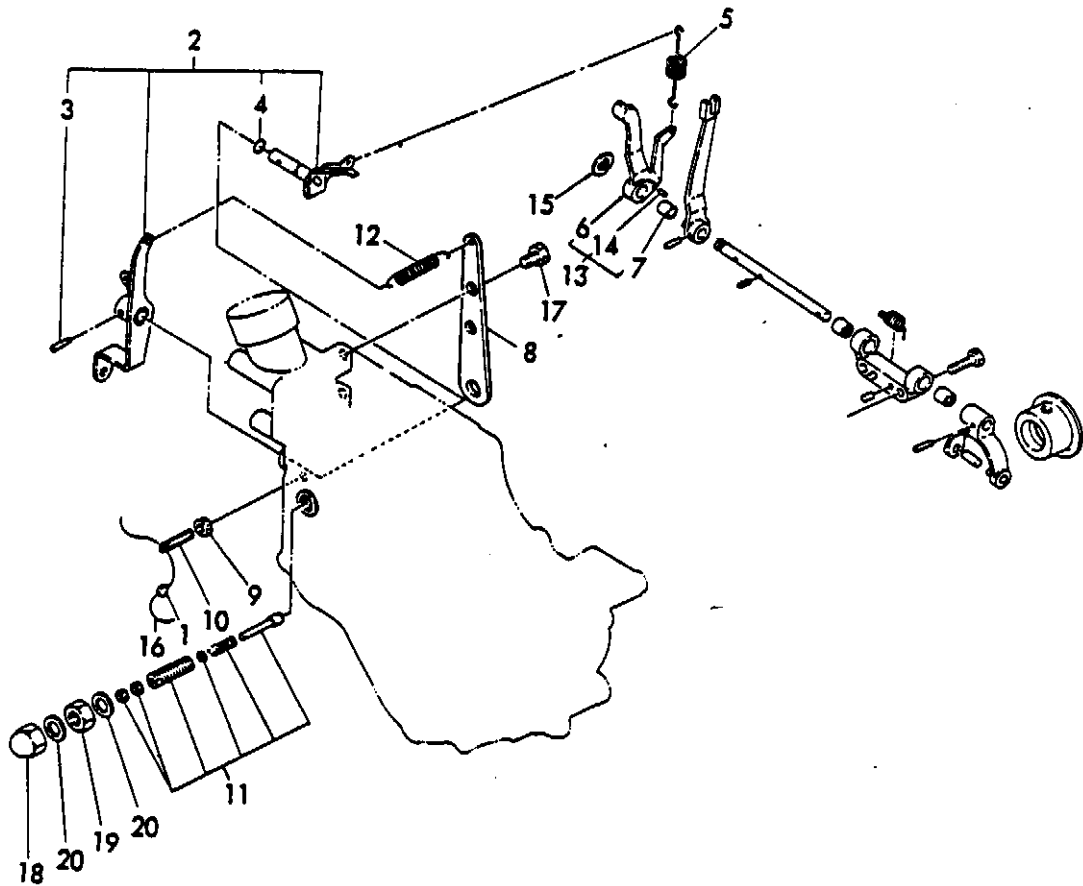
ガバナクドウ  
28. GOVERNOR

D29350-61100

46

図番 Refer No.	品 名 DESCRIPTION	部 品 番 号 PART NO.	1 台分個数 QTY	互 換 性	備 考 REMARKS
			JTB4HLE-TB	Inter change- ability	
1	ガバナレバー COMP LEVER ASS'Y. governor	121450-61001	1		↑ inc. 3.3
2	テーパピン 3×18 TAPER PIN	22322-030180	1		
3	テーパピン 3×18 TAPER PIN	22322-030180	1		
4	ガバナウエイト COMP SUPPORT ASS'Y. governor weight	121450-61101	1		↑ inc. 3.6
5	ガバナウエイト WEIGHT, governor	104200-61200	2		
6	ピン(ガバナウエイト) PIN, weight	172200-61220	2		
7	ニードルベアリング 8 NEEDLE BEARING	121520-61520	2		
8	ガバナスリーブ SLEEVE, governor	129350-61600	1		
9	サポート(レバーシャフト) SUPPORT, lever shaft	121520-61620	1		
10	スプリング(モドシレバー) SPRING, lever	121450-61631	1		
11	ヘイコウピン 4×8 PARALLEL PIN	22312-040080	2		
12	スプリングピン 30AW×10 SPRING PIN	22351-030010	1		
13	ツバボルト 6×22 BOLT	26106-060222	2		

ソウジュウソウチ  
29. REGULATOR LINKS



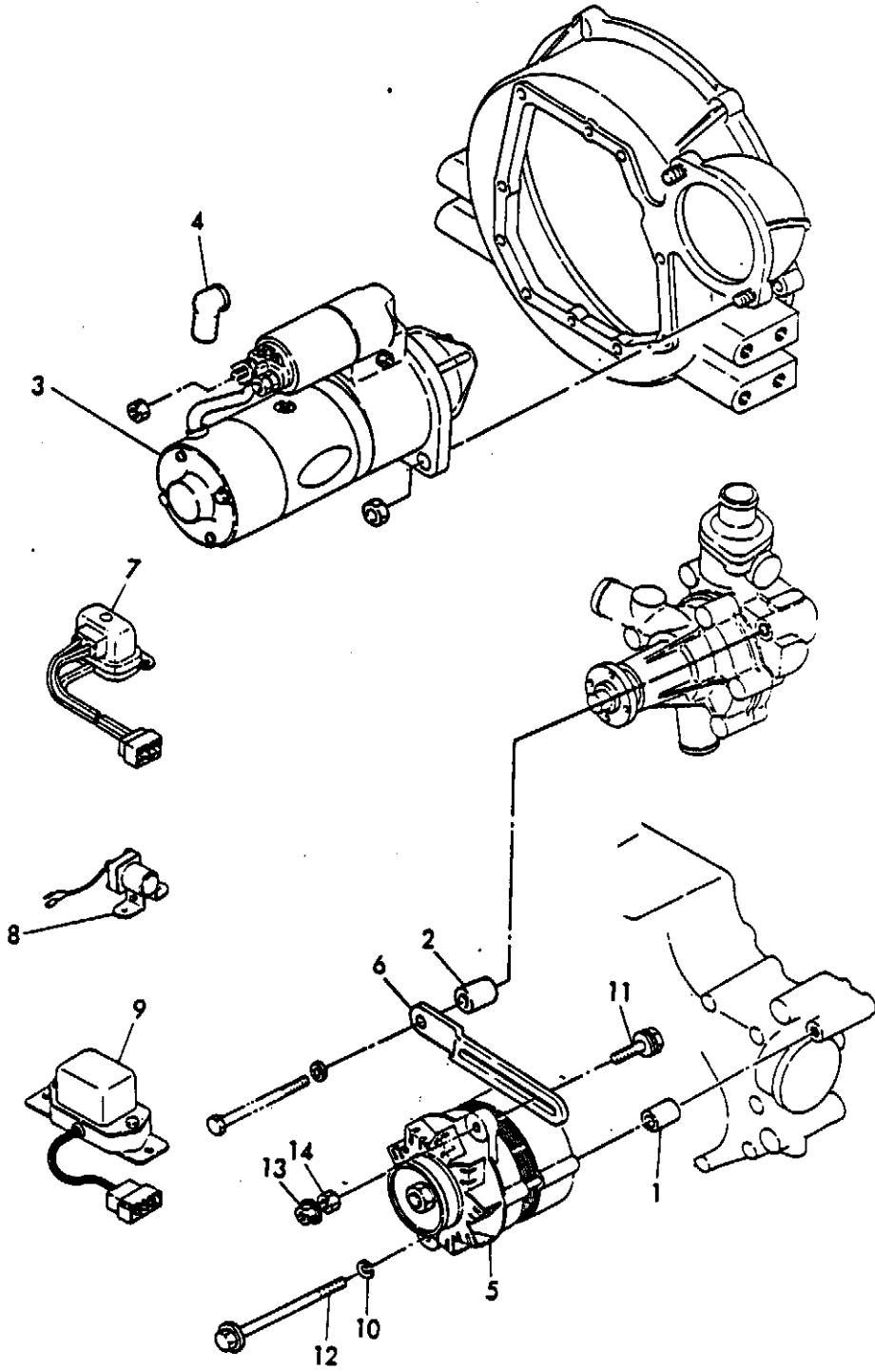


ソウジュウソウチ  
29. REGULATOR LINKS

D29327-66100

48

図番 Refer No.	品 名 DESCRIPTION	部 品 番 号 PART NO.	1台分個数 QTY	互換性 Inter- change- ability	備 考 REMARKS
			JT84HLE-TB		
1	フウインヨウナマリ READ	135210-61090	1		
2	レギュレータハンドル COMP HANDLE ASS'Y. regulator	129327-66000	1		Fig. 3.4
3	テーパピン 3×20 TAPER PIN	22322-030200	1		
4	Oリング 1A P 7.0 O-RING	24311-000070	1		
5	レギュータスプリング SPRING. regulator	129350-66010	1		
6	レバー(フンシャセイゲン) LEVER. control	121450-66161	1		
7	ブッシュ(ガバナシャフト) BUSH. shaft	121450-66170	1		
8	サポート(アクセルワイヤ) SUPPORT. wire	129327-66200	1		
9	ナット 6(ツヅリアナツキ) NUT	124550-66370	1		
10	アジャスタ(RPM) SCREW. adjusting	121454-66420	1		
11	FOリミッタ COMP CONTROLLER ASS'Y. injection	121473-66550	1		
12	モドシバネ SPRING. return	104104-67300	1		
13	フンシャセイゲンレバー COMP LEVER. control	121450-66180	1		Fig. 6.7.14
14	ヘイコウピン 3×8 PARALLEL PIN	22312-030080	1		
15	トメワE 6 CIRCLIP	22272-000060	1		
16	ツヅリセン 0.6 WIRE	22451-060000	1		
17	ツバボルト 8×10 BOLT	26116-080102	2		
18	フクロナット(タカホン) 12 CAP NUT	26687-120002	1		
19	トメナット(ホン) 12 NUT	26776-120002	1		
20	シールワッシャ 12 SEAL WASHER	43400-500450	2		



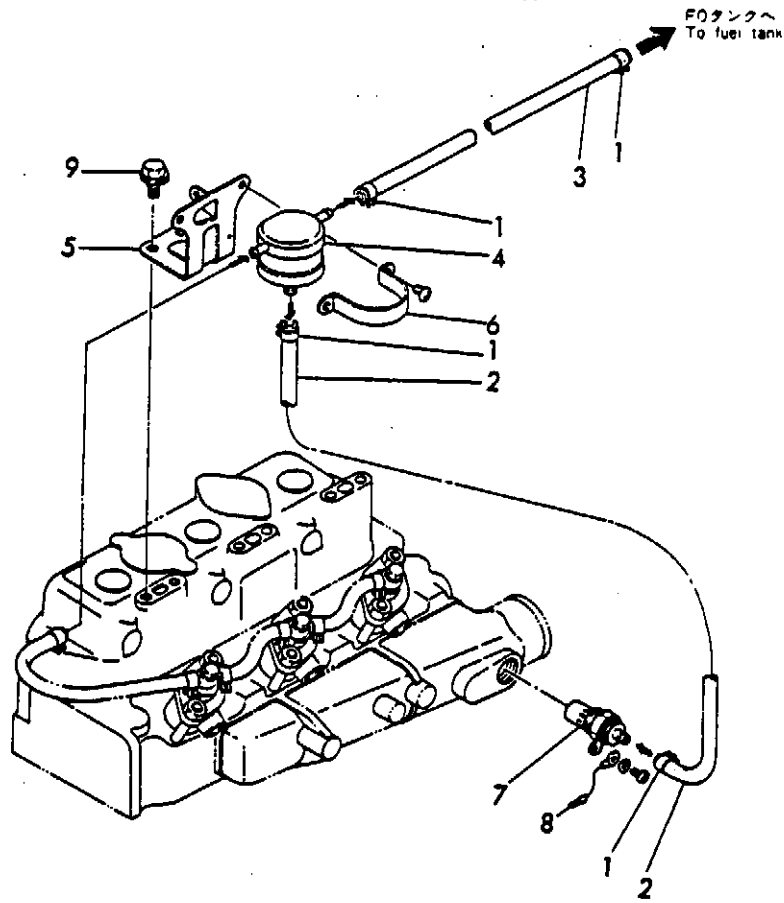
デンソウヒン  
30. ELECTRIC STARTING DEVICE

D29327-77100

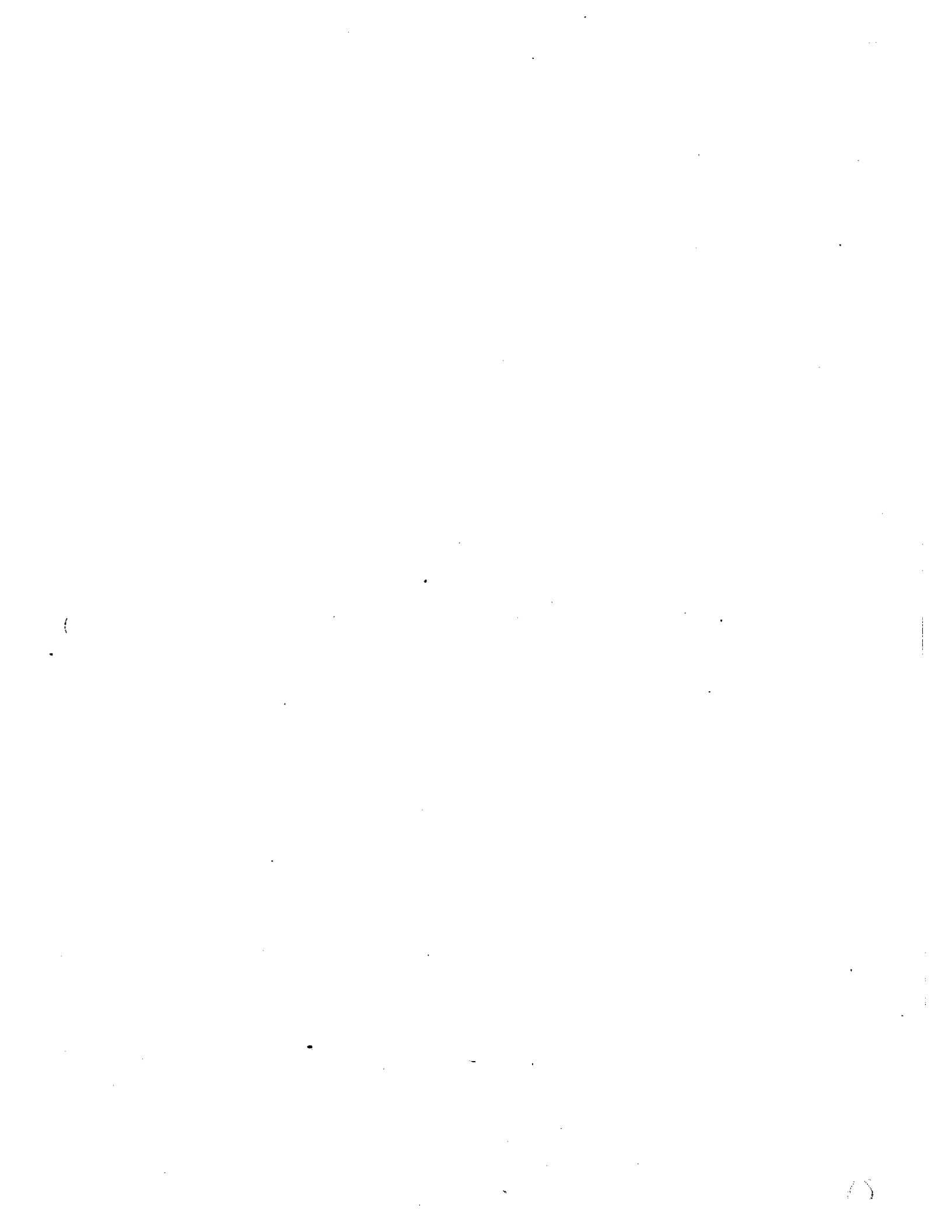
50

図番 Refer No.	品 名 DESCRIPTION	部 品 番 号 PART NO.	1台分個数 QTY	互換性 Inter- change- ability	備 考 REMARKS
			JTB4HLE-TB		
1	ディスタンスピース SPACER	124950-55900	1		
2	ディスタンスピース SPACER	124950-55900	1		
3	スターティングモータ STARTER	124250-77012	1		
4	カバー(ST:Bターミナル) CAP. B-terminal	124550-77030	1		
5	ACジェネレータ GENERATOR	121492-77200	1		
6	アジャスタ(ベルト) ADJUSTER. bolt	121521-77330	1		
7	セーフティリレー SAFETY RELAY	121492-77100	1		
8	ソレノイドスイッチ SOLENOID SWITCH	121737-77110	1		
9	レギュレータ REGULATOR	124550-77710	1		
10	バネワッシャー 8 SPRING WASHER	22217-080000	1		
11	ボルト(ヒラ+バネ) M8×35 BOLT	26014-080352	1		
12	ツバボルト M8×120 BOLT	26106-081202	1		
13	ツバツキナット M8 NUT	26366-080002	1		
14	ナット M8 NUT	26716-080002	1		

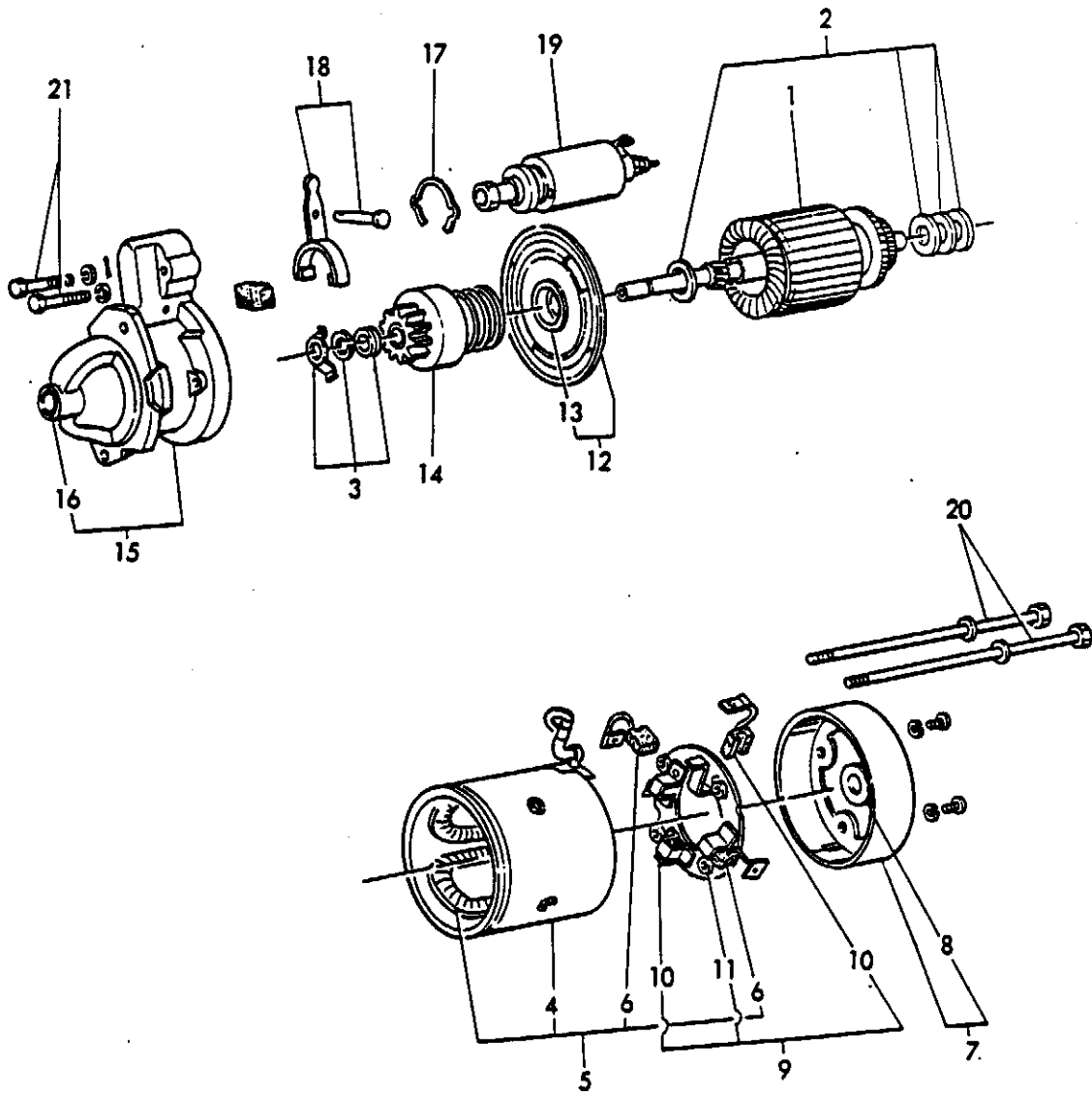
サーモスタート  
31. THERMOSTART



図番 Refer No.	品名 DESCRIPTION	部品番号 PART NO.	1台分個数 QTY	互換性 Inter change ability	備考 REMARKS
			JT84HLE-TB		
1	ホースクリップ (マル) 10 CLAMP	124060-77680	4		
2	FO-T(D11×L1500) PIPE, fuel	129334-77710	1		
3	FO-T(D11×L1500) PIPE, fuel return	129334-77710	1		
4	ヘッダタンク TANK, header	121750-77800	1		
5	カナブ A (タンク) BRACKET, header tank	121550-77810	1		
6	カナブ B (タンク) BRACKET, header tank	124460-77820	1		
7	サーモスタートプラグ PLUG, thermostart	121023-77910	1		
8	ホジョワイヤ (サーモスタート) WIRE	121120-77920	1		
9	ツバボルト 8×12 BOLT	26106-080122	2		



## スターティングモータ(インナーパーツ) 32. STARTING MOTOR (COMPONENT PARTS)

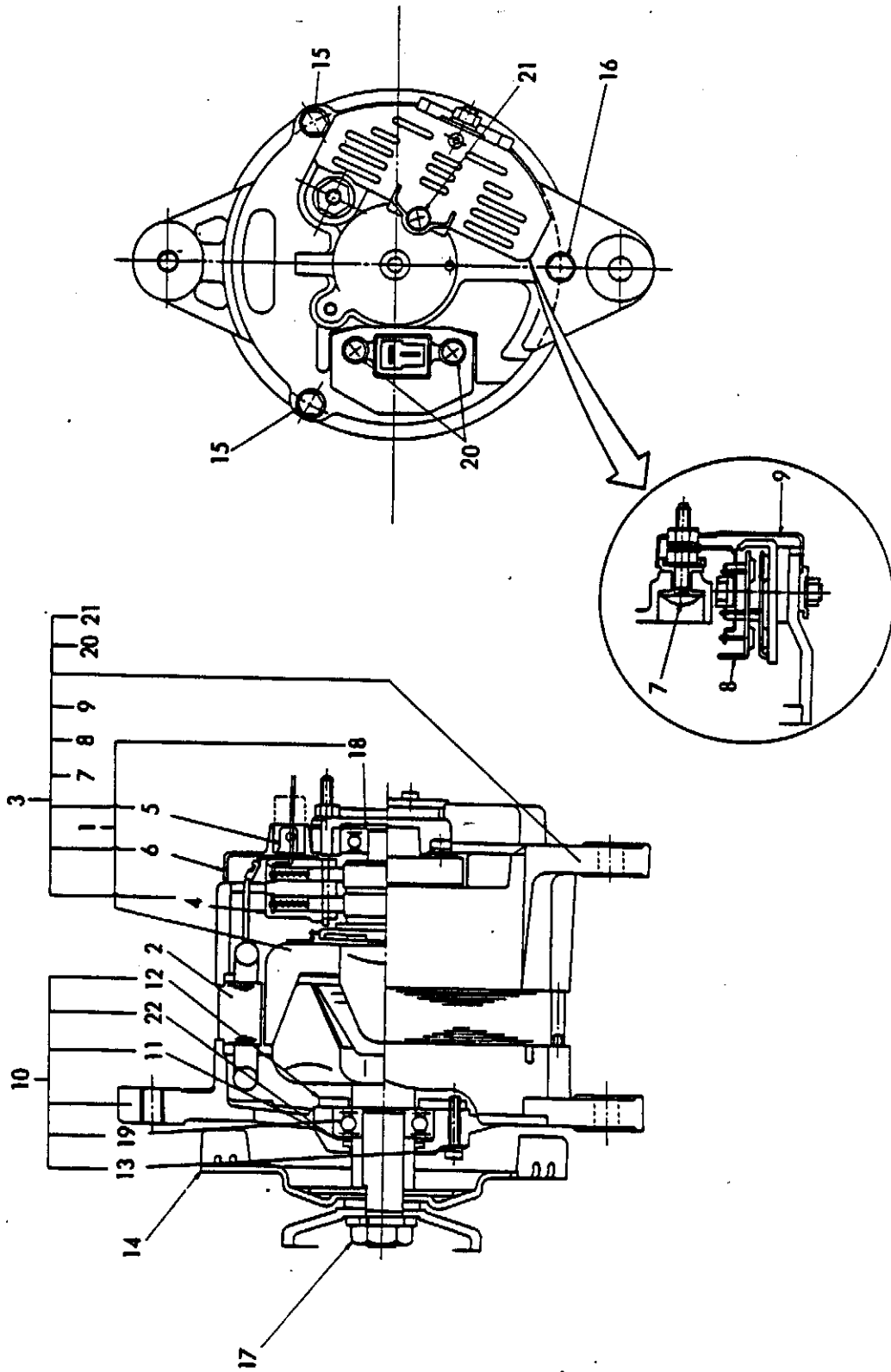


スターティングモータ(インナーパーツ)  
32 STARTING MOTOR (COMPONENT PARTS)

53

図番 Refer No.	品 名 DESCRIPTION	部 品 番 号 PART NO.	1 台分個数 QTY	互 換 性	備 考 REMARKS
			3T84HLE-TB	Inter- change- ability	
	スターティングモータ仕組 STARTING MOTOR ASS'Y	124250-77012	1		
1	アーマチャ ASS'Y ARMATURE ASS'Y	X-21207100	1		
2	スラストワッシャキット THRUST WASHER KIT	X-21201115	1		
3	ピニオンストップバセット PINION STOPPER SET	X-21201110	1		
4	ポールコアスクリュー SCREW, pole core	X-12142215	4		
5	フィールドコイル ASS'Y FIELD COIL ASS'Y	X-21204259	1		☆ inc. 4,6
6	ブラシ (+) BRUSH	X-21209311	2		
7	リヤカバー ASS'Y REAR COVER ASS'Y	X-22501300	1		
8	リヤカバーベアリングメタル BEARING METAL	X-21204302	1		☆ inc. 8
9	ブラシホルダー ASS'Y BRUSH HOLDER ASS'Y	X-21205310	1		☆ inc. 10,11
10	ブラシ (-) BRUSH	X-21207312	2		
11	ブラシスプリング BRUSH SPRING	X-21201313	4		
12	センターベアリング ASS'Y CENTER BEARING ASS'Y	X-21205400	1		☆ inc. 13
13	センターベアリングメタル BEARING METAL center	X-21204401	1		
14	ピニオン ASS'Y PINION ASS'Y	X-212045001	1		
15	ギヤケース ASS'Y GEAR CASE ASS'Y	X-21205650	1		☆ inc. 16
16	ギヤケースベアリングメタル BEARING METAL gear	X-21202601	1		
17	ダストカバーセット DUST COVER SET	X-21202602	1		
18	シフトレバーセット SHIFT LEVER SET	X-21201605	1		
19	マグネットスイッチ ASS'Y MAGNET SWITCH ASS'Y	X-212037002	1		
20	スルーボルト THROUGH BOLT	X-21204810	2		
21	トリツケボルト SET BOLT	X-21145866	2		

## 33. ACジェネレータ(インナーパーツ) AC GENERATOR (COMPONENT PARTS)

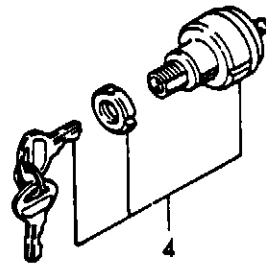
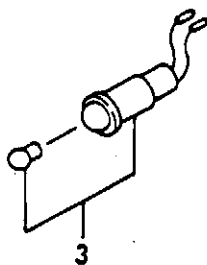
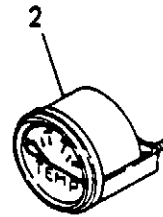
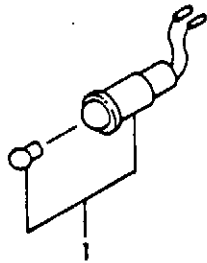




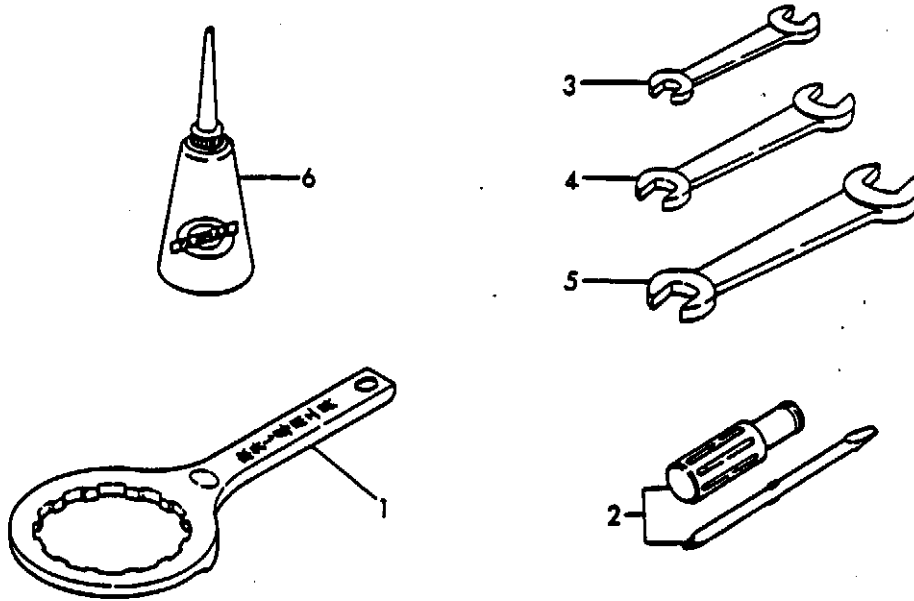
33. ACジェネレータ(インナーパーツ)  
AC GENERATOR (COMPONENT PARTS)

55

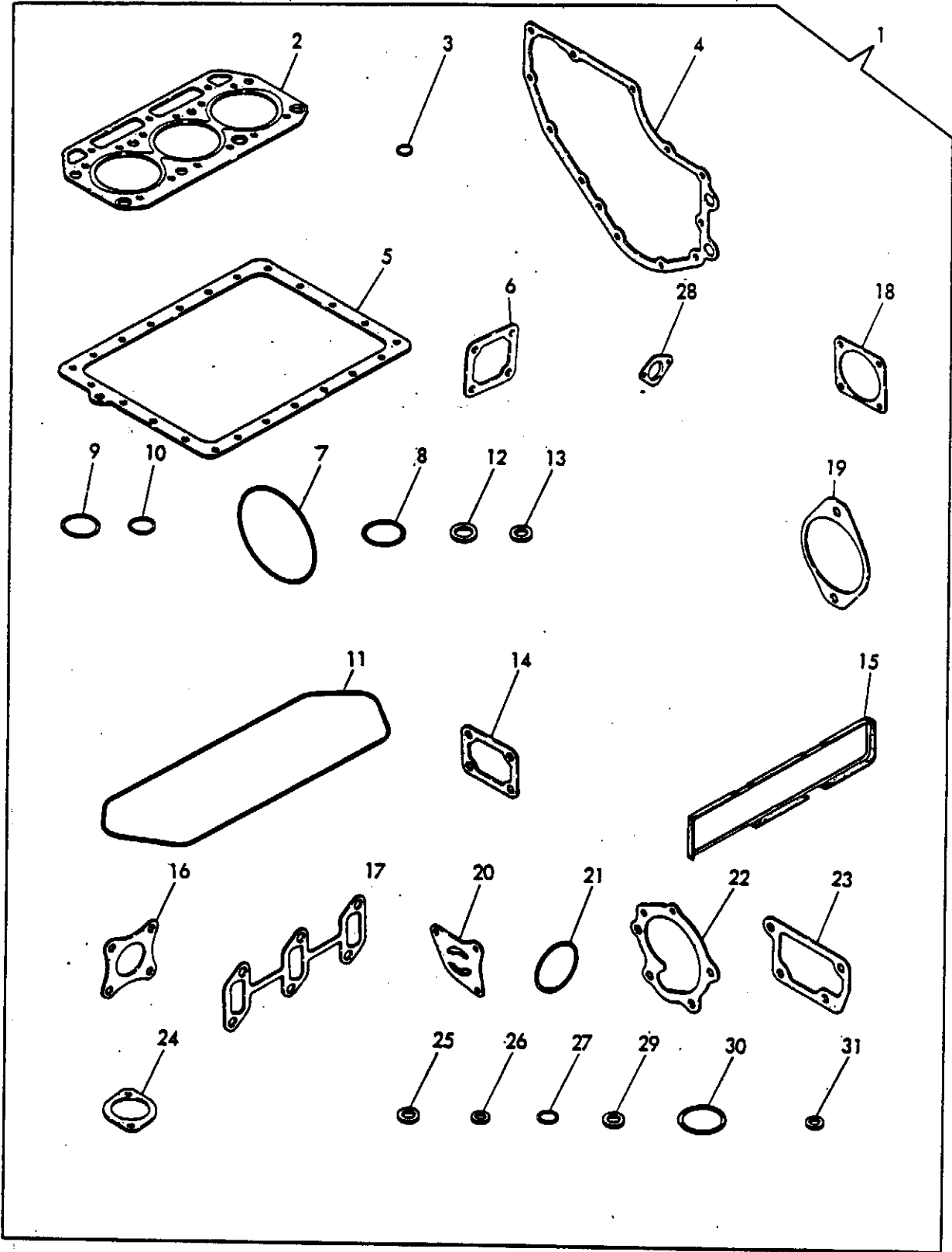
図番 Refer No.	品名 DESCRIPTION	部品番号 PART NO.	1台分個数 QTY	互換性 Interchangeability	備考 REMARKS
			3T84HLE-TB		
	ACジェネレータ AC GENERATOR	121492-77200	1		LT135-94(11.2) 12V-35A
1	ロータ仕組 ROTOR ASS'Y	X-LT135N1100	1		Inc. 18
2	スタータ仕組 STARTOR ASS'Y	X-L135N2200	1		
3	リヤカバー仕組 COVER ASS'Y, rear	X-L135N1300	1		Inc. 4-9, 20, 21
4	ブラシ仕組 BRUSH ASS'Y	X-L135N1301	1		
5	Nターミナル N-TERMINAL	X-L135N1302	1		
6	ブラシカバー COVER, brush	X-L135N1303	1		
7	ターミナルボルト仕組 BOLT ASS'Y, terminal	X-L1255310A	1		
8	ダイオード仕組 DIODE ASS'Y	X-L1258320	1		
9	カバー(ダイオード) COVER	X-L1256338	1		
10	フロントカバー仕組 COVER ASS'Y, front	X-L1255400	1		Inc. 11, 12, 13, 19, 22
11	バックインリテーナ RETAINER, packing	X-L1151403	1		
12	ベアリングリテーナ RETAINER, bearing	X-L1307404Y	1		
13	ネジ M4×20 SCREW	26557-040202	3		
14	プーリ仕組 PULLEY ASS'Y	X-L1151552	1		
15	スルーボルト BOLT, through	X-L1251801	2		
16	スルーボルト BOLT, through	X-L1251802	1		
17	プーリナット仕組 NUT ASS'Y, pulley	X-B444001A	1		
18	玉軸受 BALL BEARING	X-6201SD	1		
19	玉軸受 BALL BEARING	X-6202SD	1		
20	ネジ M4×20 SCREW	26557-040202	2		
21	ネジ M4×8 SCREW	26557-040082	1		
22	バックイン PACKING	X-L1151402	1		



図番 Refer No.	品名 DESCRIPTION	部品番号 PART NO.	1 内分個数 QTY	互換性 Inter- change- table	備 考 REMARKS
			3T84H-LTB		
1	パイロットランプ(CHG) PILOT LAMP	124732-77720	1		
2	スイオンケイ THERMOMETER	124732-77850	1		
3	パイロットランプ(LO) PILOT LAMP	124732-77970	1		
4	スタートスイッチ COMP START SWITCH	933110-00100	1		



図番 Refer No.	品名 DESCRIPTION	部品番号 PART NO.	1台分数量 QTY	互換性 Inter- change- ability	備考 REMARKS
			3T84H-LTB		
1	LOコシキトリハズシヨウグ TOOLS	124550-35350	1		
2	ドライバー(サシカエシキ) SCREW DRIVER	104200-92350	1		
3	スパナ 10×13 SPANNER	28110-100130	1		
4	スパナ 17×19 SPANNER	28110-170190	1		
5	スパナ 22×24 SPANNER	28110-220240	1		
6	アブラサシ OIL FEEDER	28210-000140	1		



36. パッキンキット  
GASKET KIT

59

図番 Refer No.	品名 DESCRIPTION	部品番号 PART NO.	1台分個数 QTY	互換性 Inter- change- ability	備考 REMARKS
			3T84HLE-TB		
1	パッキンキット GASKET KIT	729327-92600	1		全 2-31
2	ヘッドガスケット GASKET, cyl. head	129322-01331	1		
3	Oリング 1A P10 O-RING	24311-000100	2		
4	パッキン(ギヤケース) PACKING	121575-01510	1		
5	パッキン(オイルパン) PACKING	121575-01750	1		
6	パッキン(ソクフタ) PACKING	121450-01531	1		
7	Oリング 1A S135 O-RING	24341-001350	1		
8	Oリング 1A S46 O-RING	24341-000460	1		
9	Oリング 1A S40 O-RING	24341-000400	1		
10	Oリング(ホユコウ) O-RING	121420-01760	1		
11	パッキン(ボンネット) PACKING	129350-11310	1		
12	パッキン(アンチチャンバ) PACKING	101704-11450	6		
13	プロテクタ(アンチチャンバ) INSULATOR, heat	103854-11490	3		
14	パッキン(シリンダヘッドソクフタ) PACKING	121450-11680	1		
15	パッキン(マニホールド) PACKING	129350-12710	1		
16	ガスケット(サイレンサ) GASKET	121450-13200	1		
17	ガスケット(マニホールド) GASKET	129350-13250	1		
18	パッキン(HOポンプ) PACKING	124240-01882	1		
19	パッキン(HOポンプ) PACKING	124950-26021	1		
20	パッキン(ポンプフタ) PACKING, pump cover	121450-32021	1		
21	Oリング O-RING	124450-35110	1		
22	パッキン(CWポンプホンタイ) PACKING, pump body	129327-42051	1		
23	パッキン(トリツケダイ) PACKING, bracket	121450-44410	1		
24	パッキン(サーモスタットカバー) PACKING, cover	129350-49540	1		
25	パッキン(バレル) PACKING	124950-51270	3		

60

36. パッキンキット  
GASKET KIT

図番 Refer No.	品名 DESCRIPTION	部品番号 PART NO.	1台分個数 QTY	互換性 Inter- change- ability	備考 REMARKS
			3T84HLE-TB		
26	パッキン(ダリベリ) PACKING	124550-51350	3		
27	Oリング O-RING	124550-51370	3		
28	パッキン(フィードポンプ) PACKING	121520-01850	1		
29	パッキン(オサエ) PACKING	172100-53200	3		
30	Oリング(オオイ) O-RING	102103-55520	1		
31	シールワッシャー 12 SEAL WASHER	43400-500450	2		