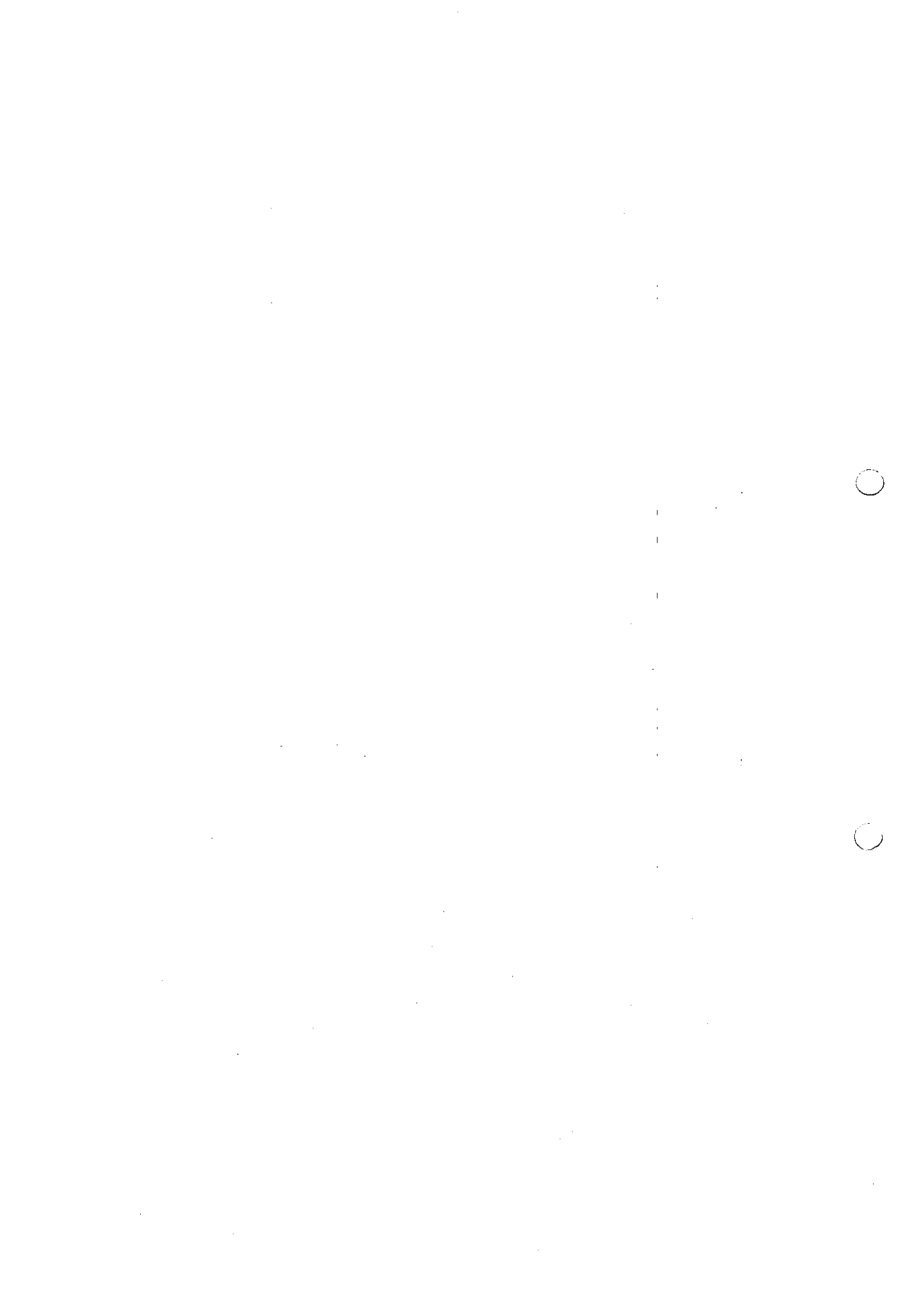


TB21
BODY PARTS CATALOG

TAKEUCHI MFG. Co., LTD.
PUB. 1



Group Name	Figure
Lower Frame (Steel)-----	1
Track -----	2
Track Roller (steel) -----	3
Front Idler (steel) -----	4
Lower Machine (rubber track) (Includes track roller & front idler)-----	5
Blade -----	6
Travel Motor "w/sprocket" (steel) -----	7
Piping Lower -----	8
Slewing Device -----	9
Main Frame -----	10
Travel Lever -----	11
Control Lever (left) -----	12
Control Lever (right) -----	13
Swing Pedal -----	14
Control Lever (blade) -----	15
Engine & Accessories -----	16
Control Panel -----	17
Electrical -----	18
Grease Piping -----	19
Valve & Accessories -----	20
Selector Valve & Accessories -----	21
Piping (upper I) -----	22
Piping (upper II) -----	23
Piping (upper III) -----	24
Hydraulic Pump & Drive -----	25
Hydraulic Tank -----	26
Fuel Tank -----	27
Bonnet Relations -----	28
Seat -----	29
Canopy -----	30
Boom & Arm -----	31
Bucket -----	32
Hyd. Oil Piping (Boom & Arm)-----	33
Hyd. Oil Piping (Aux.) -----	34
Decals -----	35
Tools -----	36
Swivel Joint -----	37

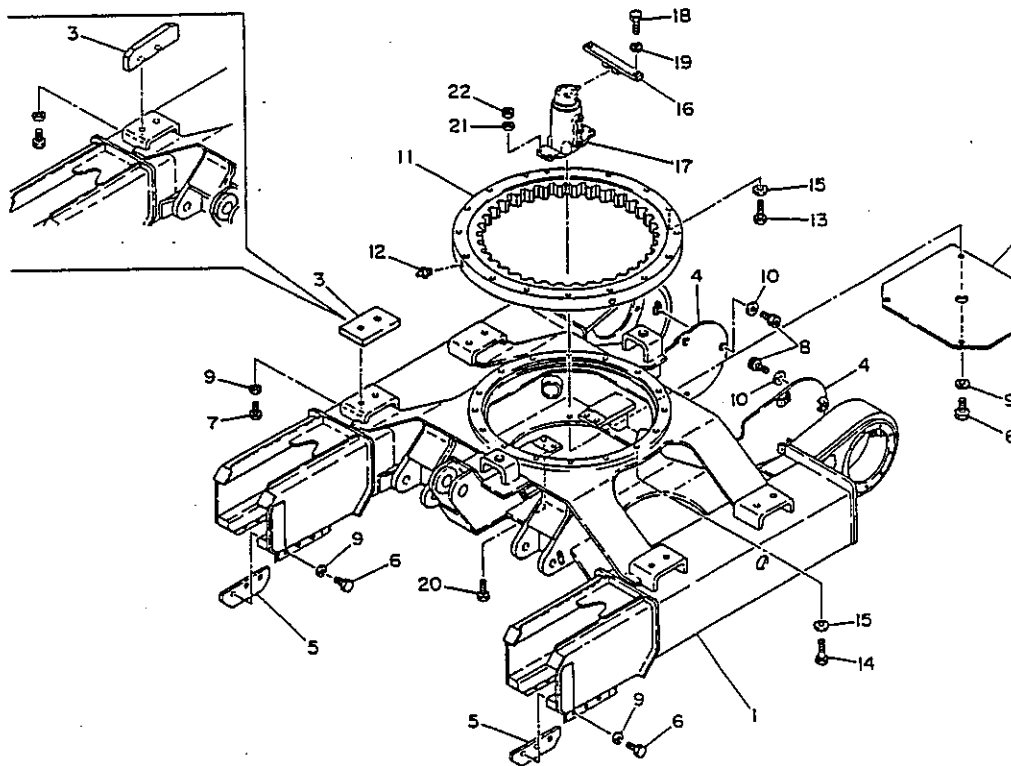


Group Name	Figure
Control Valve I -----	38
Control Valve II -----	39
Selector Valve -----	40
Counter Balance & Brake Valve -----	41
Cylinder "Main Boom" -----	42
Cylinder "Arm" -----	43
Cylinder "Bucket" -----	44
Cylinder "Blade" -----	45
Cylinder "Swing" -----	46
Reduction "Assy" -----	47
Hydraulic Pump "Main" -----	48
Track "Assy" (Wide Shoe) (Steel) -----	49



LOWER FRAME

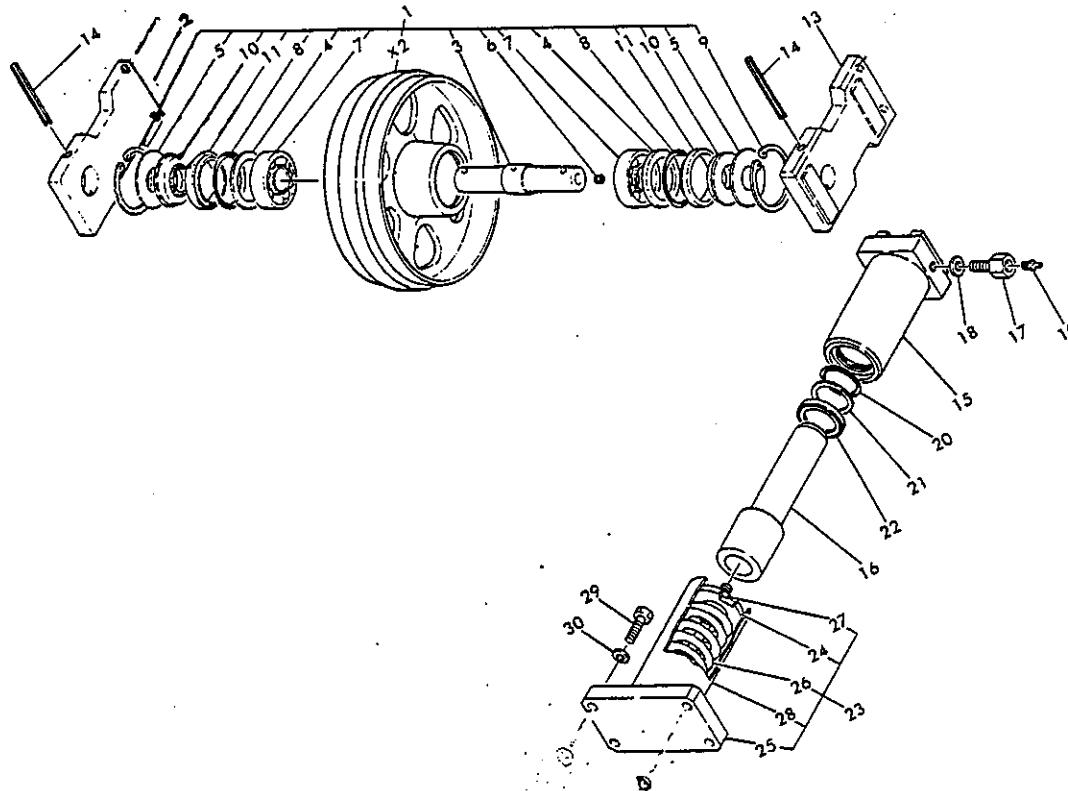
Figure 1



ITEM	PARTS NUMBER	DESCRIPTION	QTY.	CHANGE	SERIAL #	REMARKS
1	00910-30100	Frame	1			Steel Crawler Belt
	00910-31100	Frame	1			Rubber Crawler Belt
2	01010-13000	Cover	1			
3	00910-23300	Slide	4			Steel Crawler Belt
	00910-26800	Slide	4			Rubber Crawler Belt
4	01010-15100	Cover	2			
5	00910-27100	Guide	4			Steel Crawler Belt
6	11000-51020	Bolt	16			Steel Crawler Belt
	11000-51020	Bolt	4			Rubber Crawler Belt
7	11000-51025	Bolt	8			
8	11100-41020	Bolt, Socket	6			
9	11400-20010	Washer, Spring	24			Steel Crawler Belt
	11400-20010	Washer, Spring	12			Rubber Crawler Belt
10	11415-40010	Washer	6			
11	19130-02800	Bearing, Slew	1			
12	15600-11006	Nipple, Grease	4			
13	11010-51260	Bolt	16			
14	11000-51250	Bolt	16			
15	11415-40012	Washer	32			
16	00921-33100	Stopper	1			
17	19040-03800	Joint, Swivel	1			
18	11010-51225	Bolt	2			
19	11400-10012	Washer, Spring	2			
20	11000-40835	Bolt	4			
21	11400-10008	Washer, Spring	4			
22	11300-40008	Nut	4			

FRONT IDLER

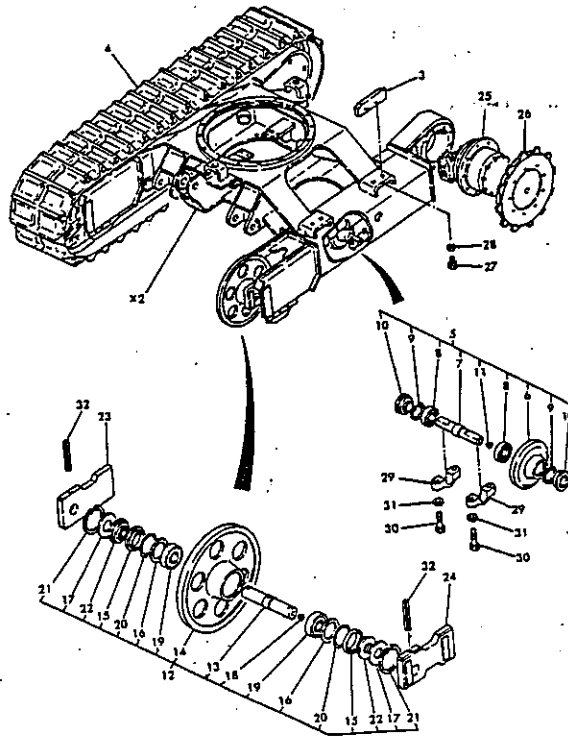
Figure 4



ITEM	PARTS NUMBER	DESCRIPTION	QTY.	CHANGE	SERIAL #	REMARKS
1	01414-90000	Idler Assy, Front	2			
2	01414-00100	Idler, Front	2			
3	01414-00200	Shaft, Idler	2			
4	01614-16300	Washer	4			
5	00036-36002	Washer	4			
6	15018-10001	Plug PT 1/8	2			
7	13000-06307	Bearing	4			
8	14200-10700	O-Ring 1B P 70	4			
9	12210-00080	Snap Ring	4			
10	14312-03562	Seal	4			
11	01614-15600	Collar	4			
12	00914-04100	Bearing Block (R)	2			
13	00914-04200	Bearing Block (L)	2			
14	12131-01010	Pin, Spring 10X10	4			
15	02615-01100	Cylinder	2			
16	02615-01200	Piston	2			
17	15413-01601	Valve, Check	2			
18	15412-01616	Gasket	2			
19	15600-01000	Nipple, Grease	2			
20	14200-00500	O-Ring 1B P 50	2			
21	14210-20500	Ring, Backup	2			
22	14004-02835	Seal, Oil	2			
23	00915-90000	Cushion Assy	2			
24	00915-00100	Seat, Spring	2			
25	00915-02100	Rod	2			
26	01615-06100	Spring	2			
27	11305-20016	Nut M16	4			

LOWER MACHINE (RUBBER TRACK)

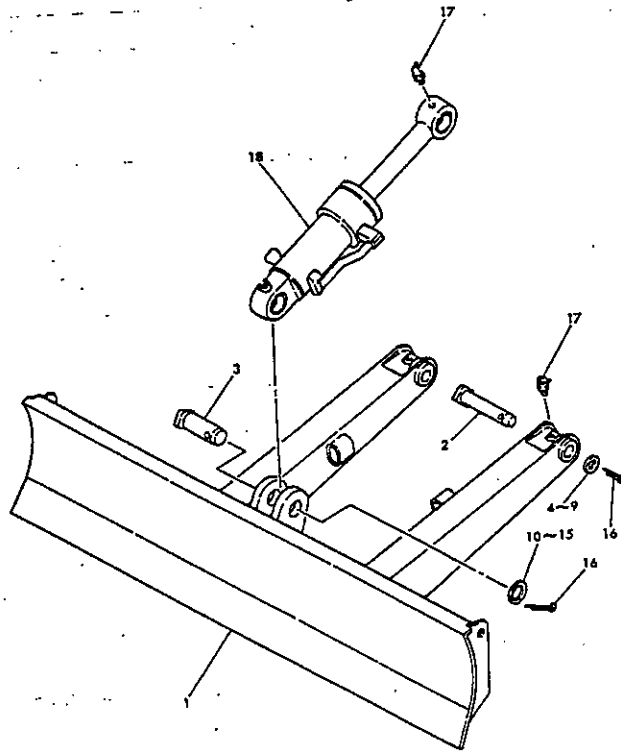
Figure 5



ITEM	PARTS NUMBER	DESCRIPTION	QTY.	CHANGE	SERIAL #	REMARKS
1	00910-90001	Roller Crawler, Assy	1			
2	00910-31100	Frame, Lower	1			
3	00910-26800	Slide, Shoe	4			
4	19140-27000	Crawler, Rubber	2			
5	00913-90000	Roller Assy, Track	8			
6	00913-03300	Roller Track	8			
7	00913-02200	Shaft	8			
8	13000-06006	Bearing	16			
9	12210-00055	Snap Ring	16			
10	14312-03055	Seal	16			
11	15018-10001	Plug PT 1/8	8			
12	00914-90014	Idler Assy, Front	2			
13	01314-20200	Shaft	2			
14	00814-00100	Idler, Front	2			
15	01614-15600	Collar	4			
16	01614-16300	Washer	4			
17	00036-36002	Washer	4			
18	15018-10001	Plug PT 1/8	2			
19	13000-06307	Bearing	4			
20	14200-00700	O-Ring P70-1A	4			
21	12210-00080	Snap Ring	4			
22	14312-03562	Seal	4			
23	00914-03100	Block (R), Bearing	2			
24	00914-03200	Block (L), Bearing	2			
25	19030-06700	Motor, Driving	2			
26	00916-35100	Sprocket	2			
27	26116-100252	Bolt M10 X25 Plated	8			

BLADE

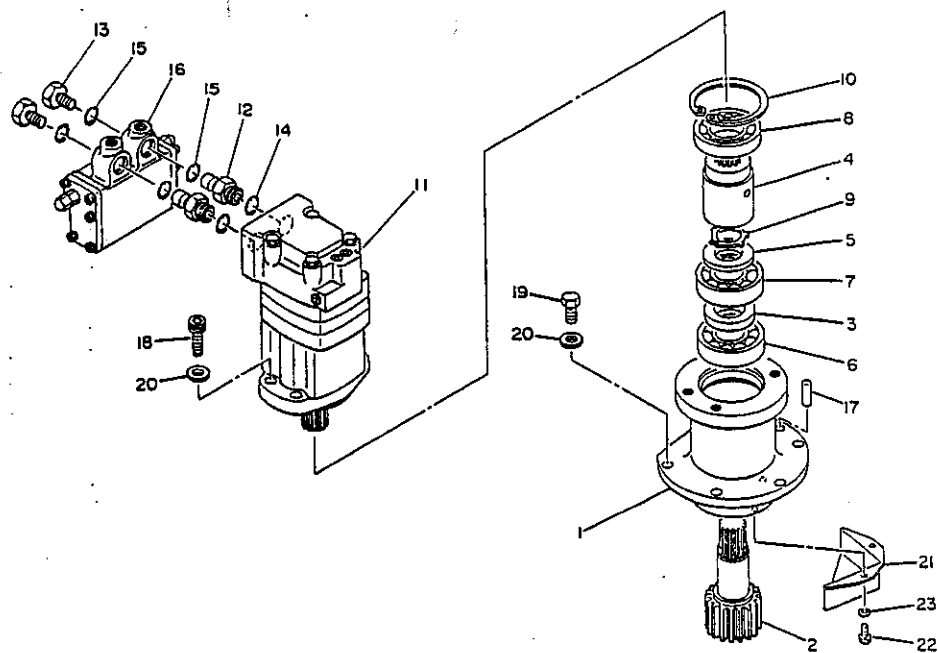
Figure 6



ITEM	PARTS NUMBER	DESCRIPTION	QTY.	CHANGE	SERIAL #	REMARKS
1	00963-25100	Blade	1			
2	00010-30144	Pin	2			
3	00010-40106	Pin	2			
4	00030-30000	Collar, Pin 1T 30	1			
5	00030-30001	Collar, Pin 1.6T 30	1			
6	00030-30002	Collar, Pin 2.3T 30	1			
7	00030-30003	Collar, Pin 3.2T 30	1			
8	00030-30004	Collar, Pin 4T 30	1			
9	00030-30005	Collar, Pin 5T 30	1			
10	00030-40000	Collar, Pin 1.T 40	1			
11	00030-40001	Collar, Pin 1.6T 40	1			
12	00030-40002	Collar, Pin 2.3T 40	1			
13	00030-40003	Collar, Pin 3.2T 40	1			
14	00030-40004	Collar, Pin 4T 40	1			
15	00030-40005	Collar, Pin 5T 40	1			
16	12100-00850	Cotter Pin	4			
17	15600-01675	Nipple PT 1/8	2			
18	19000-15100	Cylinder	1			

SLEWING DEVICE

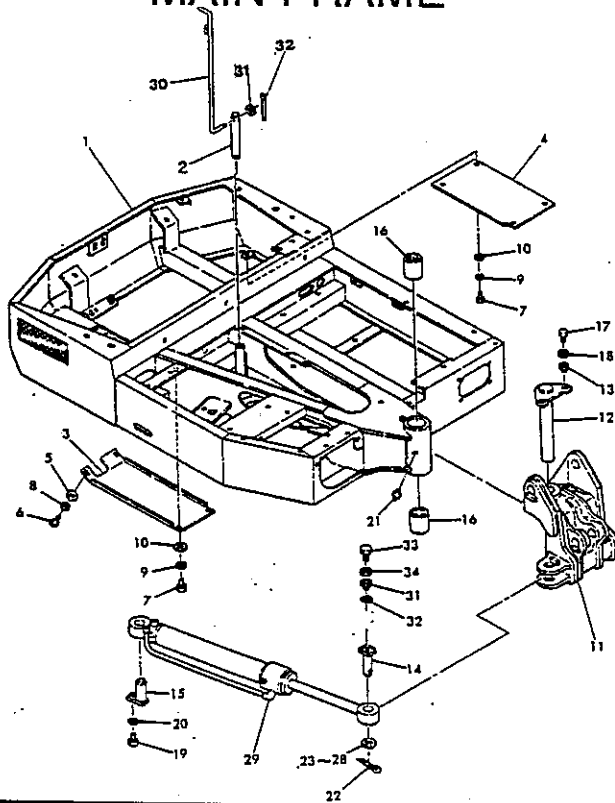
Figure 9



ITEM	PARTS NUMBER	DESCRIPTION	QTY.	CHANGE	SERIAL #	REMARKS
0-1	00923-90020	Gear Box Assy.	1			
1	00923-33200	Case	1			
2	00923-10200	Pinion	1			
3	00030-36010	Collar	1			
4	00923-10400	Gear	1			
5	00036-35505	Collar	1			
6	13003-06307	Bearing	1			
7	13000-06307	Bearing	1			
8	13000-06010	Bearing	1			
9	12220-16034	Seeger Ring	1			
10	12210-00080	Ring, Snap	1			
11	19030-04400	Motor Assy.	1			
12	00072-00088	Fitting	2			
13	00072-00087	Plug	2			
14	14203-10910	O-Ring	2			
15	14200-10200	O-Ring	4			
16	19017-08500	Valve Assy., Brake	1			
17	12120-01030	Pin	1			
18	11110-51235	Bolt, Socket	4			
19	11010-51225	Bolt	5			
20	11415-40012	Washer	9			
21	00923-31200	Cover	1			
22	11000-40614	Bolt	2			
23	11400-20006	Washer, Spring	2			

MAIN FRAME

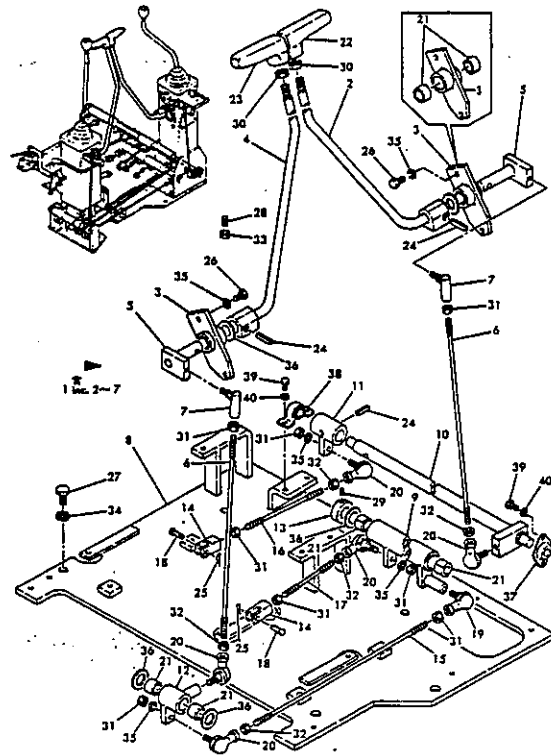
Figure 10



ITEM	PARTS NUMBER	DESCRIPTION	QTY.	CHANGE	SERIAL #	REMARKS
1	00930-64100	Main Frame	1			
2	00922-14000	Lock Pin	1			
3	00982-73300	Under Cover	1			
4	00982-77900	Under Cover	1			
5	11416-10100	Washer	2			
6	11000-41020	Bolt	2			
7	11000-41020	Bolt	4			
8	11400-20010	Spring Washer	2			
9	11400-20010	Spring Washer	4			
10	11411-10010	Washer	4			
11	00931-47100	Bracket, Boom	1			
12	00019-00059	Shaft	1			
13	00931-11300	Washer	2			
14	00019-00122	Pin, Cyl. Rod	1			
15	00019-00123	Pin, Cyl. Rod	1			
16	00023-55070	Bushing	2			
17	11000-51235	Bolt M12X35	2			
18	11400-00012	Spring Washer M12	2			
19	11000-51020	Bolt M10X20	1			
20	11400-00010	Spring Washer M10	1			
21	15600-01000	Nipple	1			
22	12100-00855	Collar Pin	1			
23	00030-40000	Collar, Pin T1	1			
24	00030-40001	Collar, Pin T1.6	1			
25	00030-40002	Collar, Pin T2.3	1			
26	00030-40003	Collar, Pin T3.2	1			
27	00030-40004	Collar, Pin T4	1			

TRAVEL LEVER

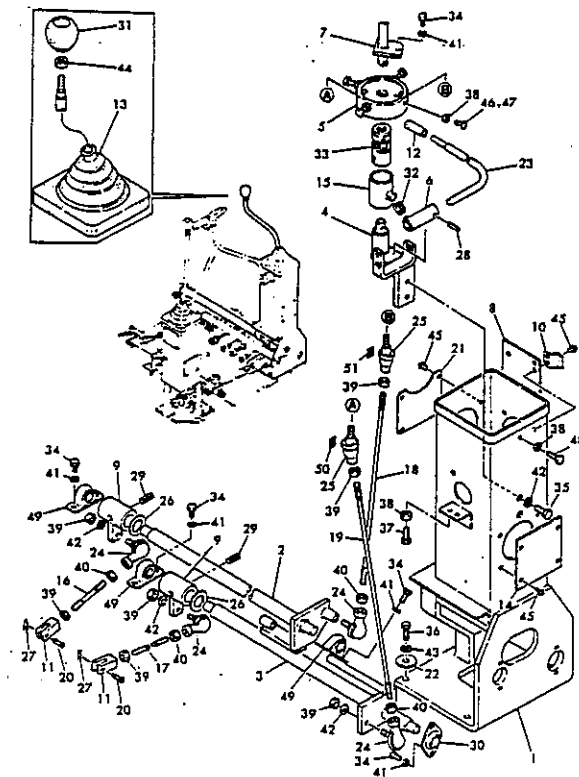
Figure 11



ITEM	PARTS NUMBER	DESCRIPTION	QTY.	CHANGE	SERIAL #	REMARKS
1	00932-97100	Plate	1			
2	00932-97300	Lever	1			
3	00932-97400	Lever	1			
4	00932-97500	Lever	1			
5	00932-97600	Lever	1			
6	00932-98100	Lever	1			
7	03032-04300	Lever (RH)	1			
8	03037-04600	Lever (LH)	1			
9	00832-66700	Lever	1			
10	01632-09400	Stopper	2			
11	00932-96000	Spacer	1			
12	00030-00034	Washer	1			
13	00036-00034	Washer	3			
14	08502-34100	Washer	1			
15	00932-70900	Rod, Yoke	2			
16	00040-05117	Pin, Lever	2			
17	00036-00025	Washer	5			
18	12200-00020	Ring, Snap	4			
19	12140-00005	Pin, Snap	2			
20	11210-40830	Set-Screw	2			
21	11210-40630	Set-Screw	6			
22	13400-00080	End, Rod	6			
23	13320-02022	Mini-Pillow	1			
24	13320-52022	Mini-Pillow	2			
25	11210-50808	Set-Screw	2			
26	12130-00830	Pin, Spring	2			
27	13330-02015	Bushing	5			

CONTROL LEVER (OPERATION) LEFT

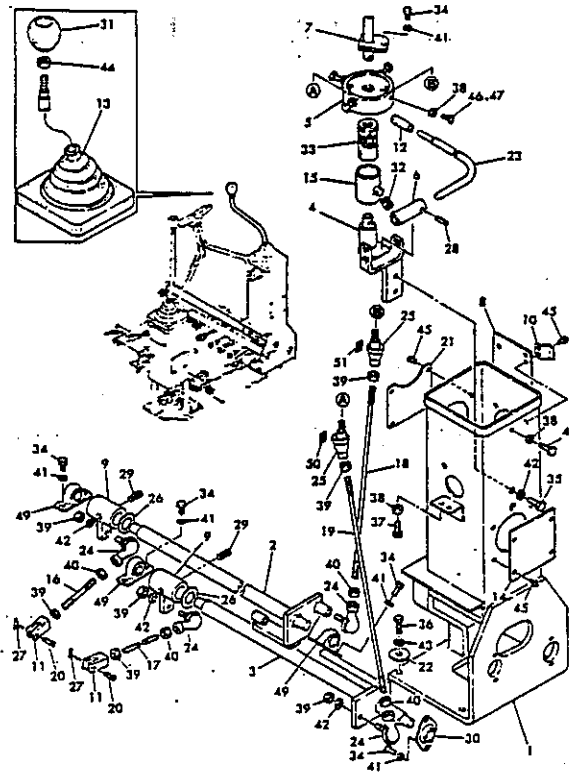
Figure 12



ITEM	PARTS NUMBER	DESCRIPTION	QTY.	CHANGE	SERIAL #	REMARKS
1	01032-22300	Lever Stand (L)	1			
2	01032-23000	Lever	1			
3	01032-23300	Lever	1			
4	01032-24500	Bracket, Lever (L)	1			
5	01032-24000	Plate	1			
6	01032-24600	Lever	1			
7	01032-24200	Lever	1			
8	01032-25400	Cover	1			
9	01032-14800	Lever	2			
10	01032-19200	Catch	1			
11	00055-05032	Yoke	2			
12	05432-08900	Knob	1			
13	05432-03100	Bellows	1			
14	01432-72100	Cover	1			
15	00832-67100	Sleever	1			
16	00050-08075	Rod	1			
17	00050-08150	Rod	1			
18	00050-08375	Rod	1			
19	00050-08410	Rod	1			
20	00040-05117	Lever Pin	2			
21	01032-25500	Cover	1			
22	00036-12004	Washer	4			
23	01032-24700	Lever	1			
24	13400-00085	Rod End (L)	4			
25	13403-00080	Rod End (R)	2			
26	01632-16200	Washer	2			
27	12140-00005	Snap Ring	2			

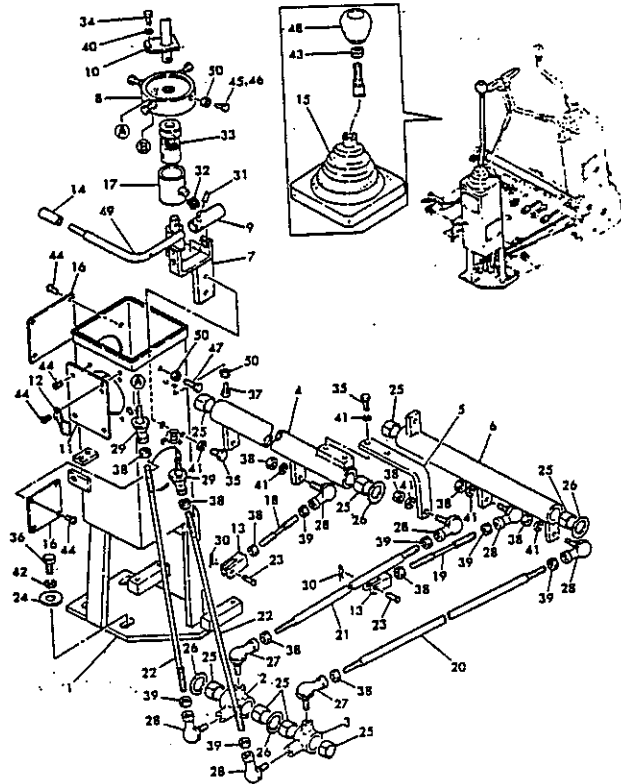
CONTROL LEVER (OPERATION) LEFT

Figure 12



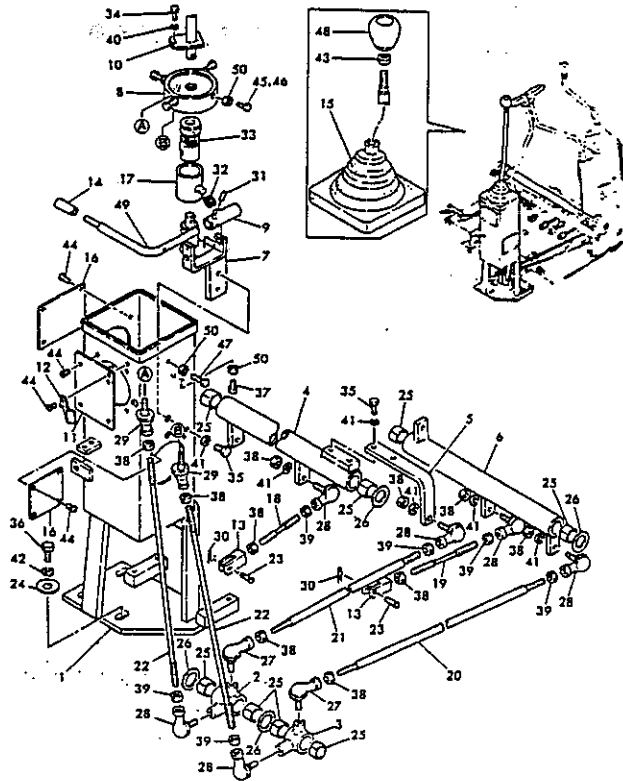
ITEM	PARTS NUMBER	DESCRIPTION	QTY.	CHANGE	SERIAL #	REMARKS
28	12130-00420	Spring Pin	1			
29	12130-00830	spring Pin	2			
30	13320-61516	Flange Unit	1			
31	16502-00400	Knob	1			
32	16200-50000	Joint Link Assy.	1			
33	16000-00140	Universal Joint Assy.	1			
34	11000-40616	Bolt M6X16	9			
35	11000-40816	Bolt M8X16	2			
36	11000-41025	Bolt M10X25	4			
37	11000-40625	Bolt M6X25.	2			
38	11300-40006	Nut M6	7			
39	11300-40008	Nut M8	7			
40	11315-40008	Nut MS, Left Hand	4			
41	11400-20006	Spring Washer MG	9			
42	11400-20008	Spring Washer M8	5			
43	11400-20010	Spring Washer M10	4			
44	11301-40010	Nut M10	1			
45	11205-30510	Scew M5X10	13			
46	01032-25600	Bolt	8			
47	01032-25700	Bolt	8			
48	11000-40625	Bolt M6X25	1			
49	13320-21516	Pillow Unit	3			
50	01032-25900	Label	1			
51	01032-26000	Label	1			

CONTROL LEVER (OPERATION) RIGHT Figure 13



ITEM	PARTS NUMBER	DESCRIPTION	QTY.	CHANGE	SERIAL #	REMARKS
1	01032-22200	Lever Stand. (R)	1			
2	01032-22500	Lever	1			
3	01032-22600	Lever	1			
4	01032-23100	Lever	1			
5	01032-23200	Lever	1			
6	01032-23400	Lever	1			
7	01032-24400	Bracket, Lever (R)	1			
8	01032-24000	Plate	1			
9	01032-24600	Lever	1			
10	01032-24200	Lever	1			
11	01032-25400	Cover	1			
12	01032-19200	Catch	1			
13	00050-05032	Yoke	2			
14	05432-08900	Knob	1			
15	05432-03100	Bellows	1			
16	01432-72100	cover	2			
17	00832-67100	Sleeve	1			
18	00050-08075	Rod	1			
19	00050-08150	Rod	1			
20	00050-09530	Rod	1			
21	00050-09445	Rod	1			
22	00050-08445	Rod	2			
23	00040-05117	Pin, Lever	2			
24	00036-12004	Washer	3			
25	13330-52015	Bushing	8			
26	01632-16200	Washer	4			
27	13400-00080	Rod End	2			

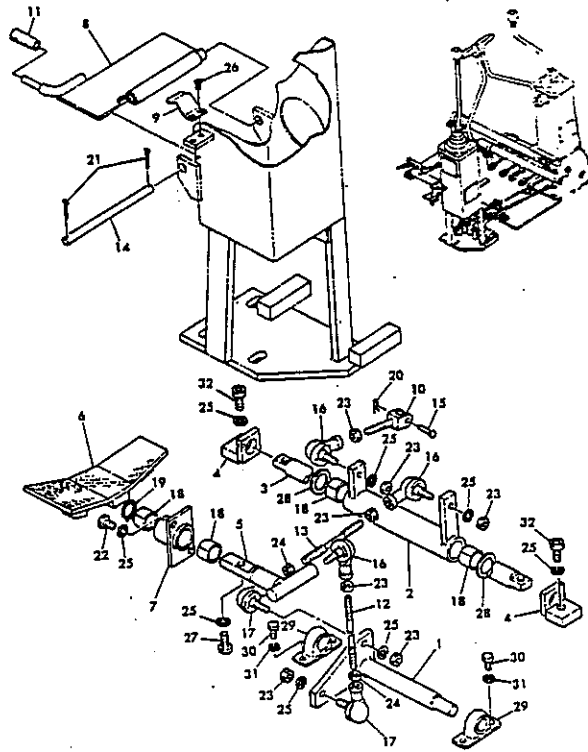
CONTROL LEVER (OPERATION) RIGHT Figure 13



ITEM	PARTS NUMBER	DESCRIPTION	QTY.	CHANGE	SERIAL #	REMARKS
28	13400-00085	Rod End	6			
29	13403-00080	Rod End	2			
30	12140-00050	Snap Ring	2			
31	12130-00420	Spring Pin	1			
32	16200-50000	Joint Link	1			
33	16000-00140	Universal Joint	1			
34	11000-40616	Bolt M6X16	1			
35	11000-40816	Bolt M8X16	4			
36	11000-41025	Bolt M10X25	3			
37	11100-40625	Bolt M6X25	2			
38	11300-40008	Nut M8	9			
39	11315-40008	Nut M8, Left-hand	6			
40	11400-20006	Spring, Washer M6	1			
41	11400-20008	Spring, Washer M8	8			
42	11400-20010	Spring, Washer M10	3			
43	11301-40010	Nut M10	1			
44	11205-30510	Screw M510	13			
45	01032-25700	Bolt, Stopper	8			
46	01032-25600	Bolt, Stopper	8			
47	11025-40625	Bolt M6X25	1			
48	16502-01400	Knob	1			
49	01032-24700	Lever	1			
50	11300-40006	Nut M6	6			

SWING PEDAL

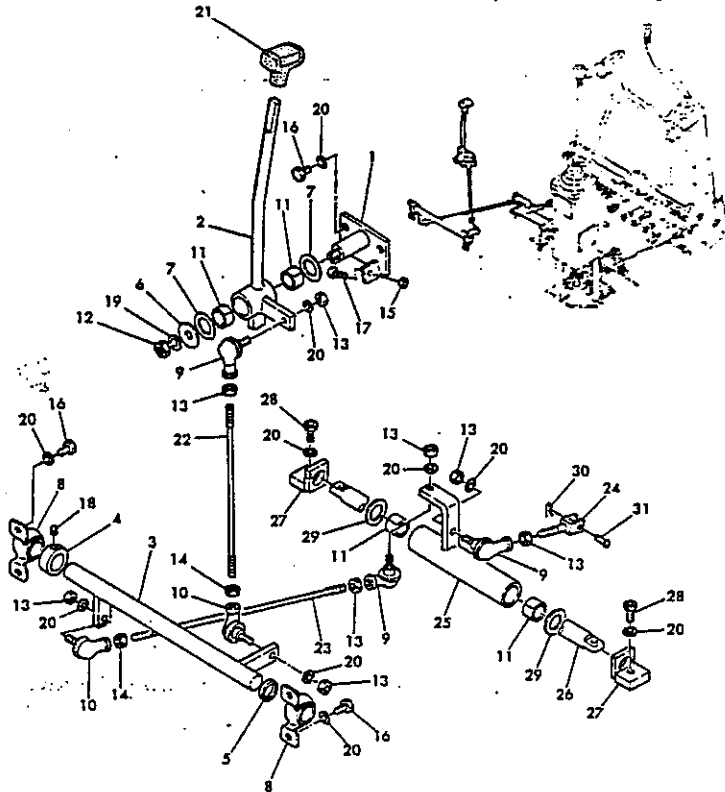
Figure 14



ITEM	PARTS NUMBER	DESCRIPTION	QTY.	CHANGE	SERIAL #	REMARKS
1	01032-22400	Lever	1			
2	01032-23500	Lever	1			
3	01032-23700	Lever Shaft	1			
4	01032-24300	Block	2			
5	01032-16900	Lever	1			
6	01032-24800	Swing Pedal	1			
7	01032-15400	Lever Boss	1			
8	01032-24900	Swing Lock Plate	1			
9	01032-19200	Catch	1			
10	00932-70900	Yoke Rod	1			
11	05432-08900	Knob	1			
12	00050-08170	Rod	1			
13	00050-08100	Rod	1			
14	00049-00009	Pin	1			
15	00040-05117	Lever Pin	1			
16	13400-00085	Rod End	3			
17	13400-00085	Rod End, Left Hand	2			
18	13330-52015	Bushing	4			
19	12200-00020	Snap Ring	1			
20	12140-00005	Snap Ring	1			
21	12100-00320	Cotter Pin 3 X20	2			
22	11000-50812	Nut M8X12	2			
23	11300-40008	Nut M8	7			
24	11315-40008	Nut M8, Left Hand	2			
25	11400-20008	Spring Washer M8	9			
26	11205-30610	Screw M6X10	2			
27	11000-40822	Bolt M8X22	1			

CONTROL LEVER (BLADE)

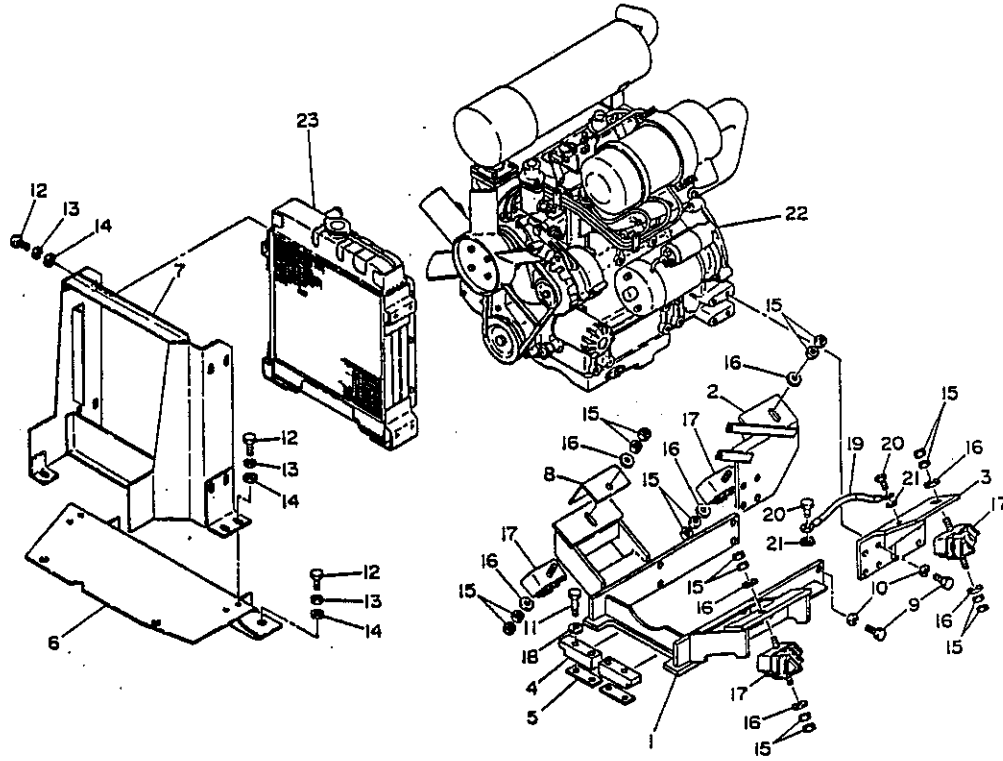
Figure 15



ITEM	PARTS NUMBER	DESCRIPTION	QTY.	CHANGE	SERIAL #	REMARKS
1	01033-10100	Bracket, Lever	1			
2	01033-10200	Lever	1			
3	01033-10300	Lever	1			
4	01632-09400	Stopper	1			
5	00030-20005	Collar	1			
6	00036-00025	Washer	1			
7	01632-16200	Washer	1			
8	13320-02022	Mini Pillow	2			
9	13400-00080	Rod End	3			
10	13400-00085	Rod End, Left Hand	2			
11	13300-02015	Bushing	4			
12	11300-40010	Nut M10	1			
13	11300-40008	Nut M8	8			
14	11315-40008	Nut M8, Left Hand	2			
15	11300-40006	Nut M6	2			
16	11000-40814	Bolt M8X14	6			
17	11000-40620	Bolt M6X20	2			
18	11210-50808	Lock Screw M8X8	1			
19	11400-20010	Spring Washer M10	1			
20	11400-10008	Spring Washer M8	13			
21	16502-00500	Knob	1			
22	00050-08250	Rod 250L	1			
23	00050-08385	Rod	1			
24	00932-70900	Yoke Rod	1			
25	01032-23600	Lever	1			
26	01032-23700	Lever Shaft	1			
27	01032-24300	Block	2			

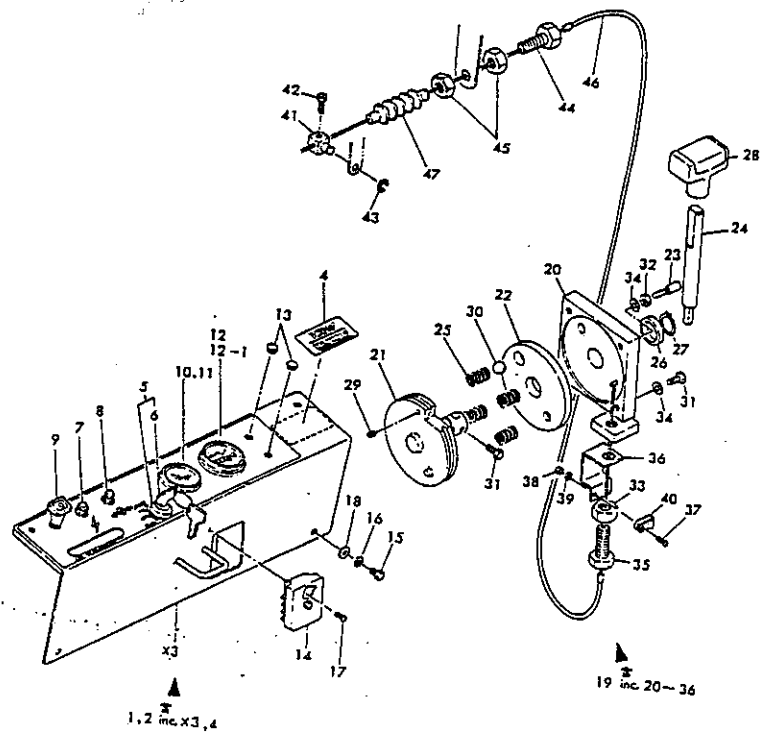
ENGINE AND ACCESSORIES

Figure 16



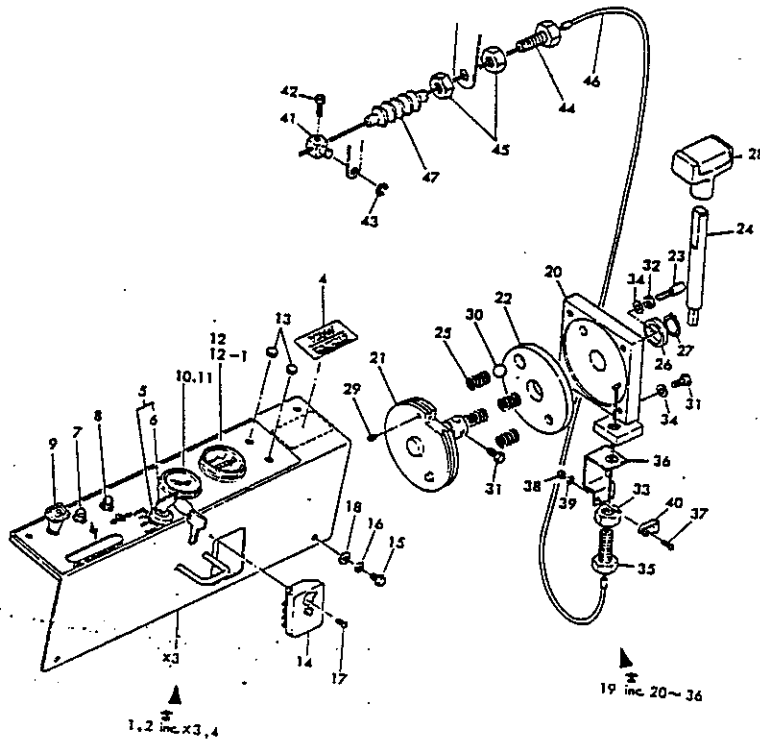
ITEM	PARTS NUMBER	DESCRIPTION	QTY.	CHANGE	SERIAL #	REMARKS
1	00940-26500	Foot, Engine	1			
2	00940-26100	Foot, Engine	1			
3	00940-27300	Foot, Engine	1			
4	01440-55100	Stopper	2			
5	01440-55300	Shim T1.6	AR			
	01440-55400	Shim T2.3	AR			
6	00940-29100	Bracket	1			
7	00940-29400	Bracket	1			
8	00940-21700	Cover	1			
9	11000-41225	Bolt M12X25	16			
10	11400-20012	Washer, Spring M12	9			
11	11000-41250	Bolt M10	4			
12	11000-41020	Bolt M10X20	20			
13	11400-20010	Washer, Spring M10	21			
14	00036-00020	Washer	5			
15	11300-40012	Nut M12	16			
16	00036-00026	Washer	8			
17	16510-40428	Rubber, Cushion	4			
18	11415-40012	Washer	4			
19	17024-30280	Cable, Earth	1			
20	11000-31020	Bolt M10X20	2			
21	11403-30010	Washer M10	2			
22	19100-44001	Engine	1			
23	19100-21002	Radiator	1			

CONTROL BOX AND ENGINE CONTROL Figure 17



ITEM	PARTS NUMBER	DESCRIPTION	QTY.	CHANGE	SERIAL #	REMARKS
1	01043-90010	Control Panel Assy.	1			
2	01043-11100	Panel, Control	1			
3	00943-74100	Sticker	1			
4	933110-00100	Switch Assy., Starter	1			
5	933110-00301	Key	1			
6	124732-77720	Lamp, Charging	1			
7	124732-77970	Lamp, Pilot	1			
8	17010-00200	Light Switch	1			
9	17301-00010	Thermometer	1			
10	17300-45074	Hour Meter	1			
11	16520-50900	Grommet	2			
12	17012-00200	Box, Fuse	1			
13	261160-80142	Bolt M8X 14 Plated	4			
14	222170-80000	Spring Washer M8X	4			
15	11202-30514	Screw M5X 14	2			
16	221370-80000	Washer M8X	4			
17	05441-90000	Engine Control Set	1			
18	01041-12100	Body	1			
19	05441-01200	Shaft, Drum	1			
20	05441-01300	Disk	1			
21	01641-08400	Pin	1			
22	01441-02100	Lever	1			
23	00070-00001	Spring	4			
24	00030-20005	Collar	1			
25	12200-00020	Snap Ring S20	1			
26	16502-00500	Grip, Lever	1			
27	11210-50506	Screw M5X 6	1			

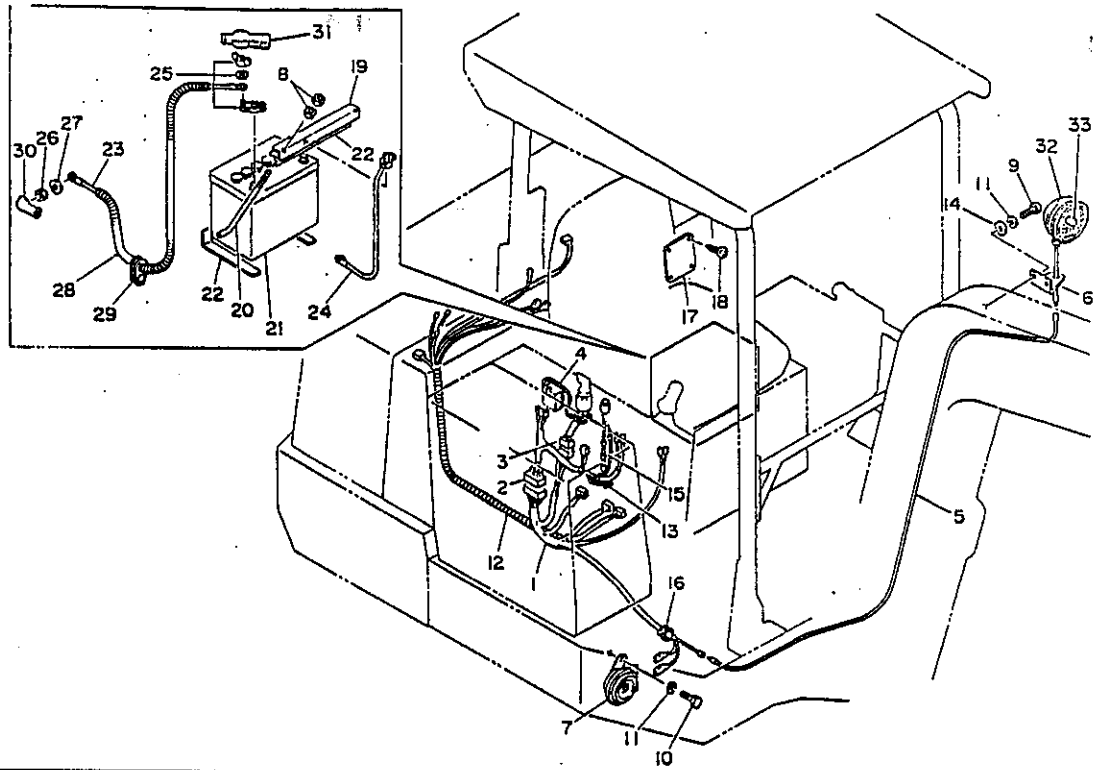
CONTROL BOX AND ENGINE CONTROL Figure17



ITEM	PARTS NUMBER	DESCRIPTION	QTY.	CHANGE	SERIAL #	REMARKS
28	13900-10800	Ball (1/2)	1			
29	261160-60122	Bolt M6X12 Plated	4			
30	11300-40006	Nut M6	1			
31	11300-30012	Nut M12	1			
32	222170-60000	Spring Washer M6	4			
33	00079-00002	Bolt	1			
34	02241-11100	Stay	1			
35	11205-30410	Screw M4X10	1			
36	11300-40004	Nut M4	1			
37	221370-40000	Washer M4	1			
38	16524-00004	Clamp, Nylon	1			
39	00079-00016	Pin	1			
40	11100-50515	Bolt M5X15	1			
41	12240-00006	Circlip M6	1			
42	00079-00002	Bolt	1			
43	11304-40012	Nut M12	2			
44	00641-10100	Wire	1			
45	00079-00014	Boot	1			

ELECTRICAL

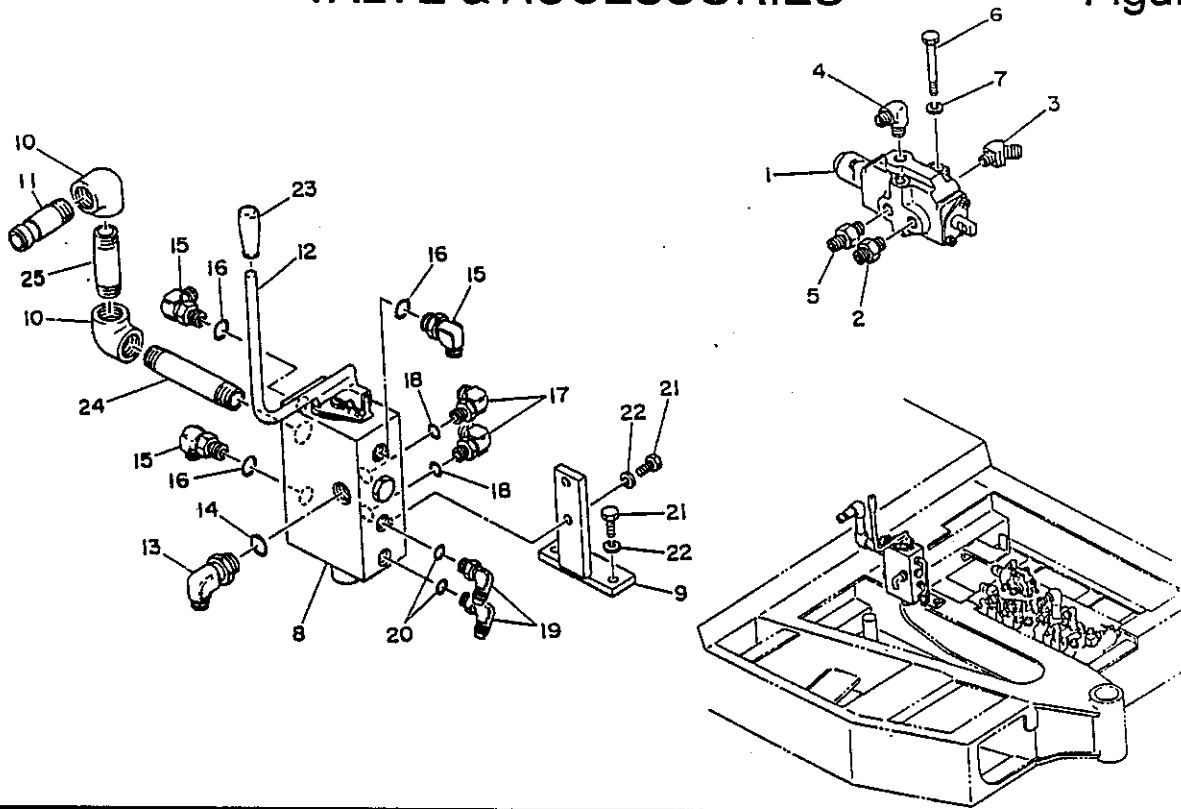
Figure 18



ITEM	PARTS NUMBER	DESCRIPTION	QTY.	CHANGE	SERIAL #	REMARKS
0-1	00942-90090	Harness Assy., Wiring	1			
1	00942-52100	Harness, Wiring	1			
2	00942-52200	Harness, Wiring	1			
3	00942-52300	Harness, Wiring	1			
4	01442-65300	Wire	1			
5	01442-63400	Wire	1			
6	05442-02600	Bracket	1			
7	17035-00412	Horn	1			
8	11300-40006	Nut M6	4			
9	11000-40816	Bolt M816	2			
10	11000-40812	Bolt M812	1			
11	11400-20008	Washer, Spring M8	3			
12	17032-11390	Tube	1			
13	16522-00003	Band	4			
14	11411-10008	Washer	2			
15	00942-45300	Wire	1			
16	16523-10013	Clamp	1			
17	05542-01700	Cover	1			
18	11225-00410	Screw, Tap	4			
19	00744-00100	Clamp	1			
20	17021-06260	Bolt, Hook	2			
21	17025-00110	Battery	1			
22	16547-05024	Strip, Rubber	3			
23	17025-30095	Cable, Battery	1			
24	17022-30050	Cable, Ground	1			
25	17023-08513	Terminal	1			
26	11300-40008	Nut M8	1			

VALVE & ACCESSORIES

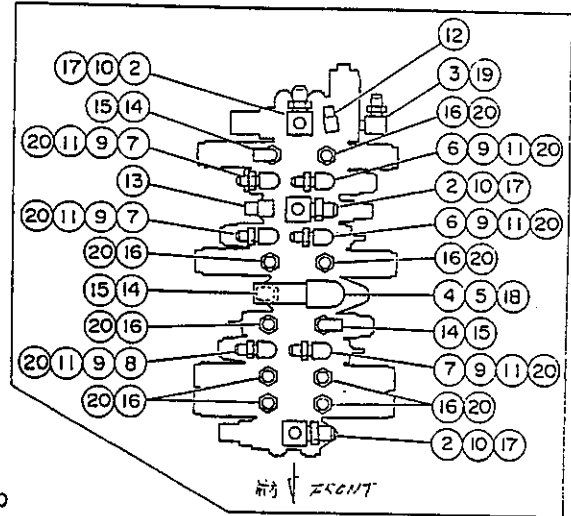
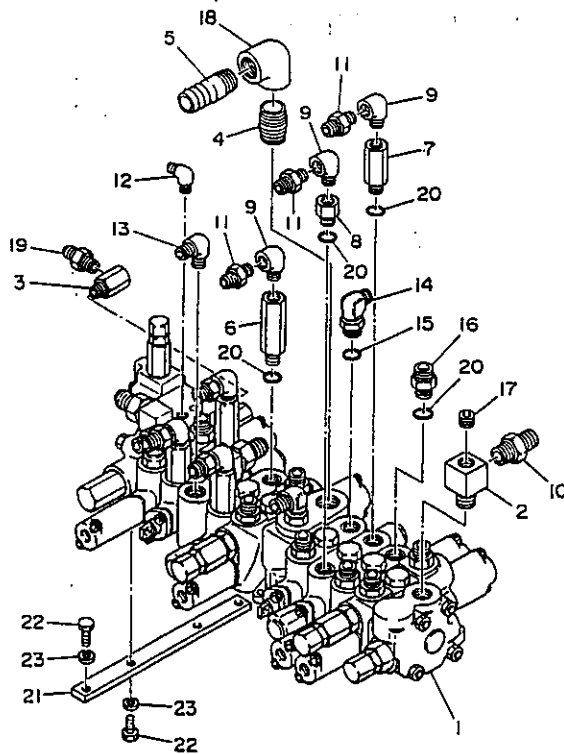
Figure 20



ITEM	PARTS NUMBER	DESCRIPTION	QTY.	CHANGE	SERIAL #	REMARKS
1	19010-22700	Valve, Sub Control	1			
2	15110-00002	Adaptor	1			
3	15112-00002	Elbow 45'	1			
4	15023-21002	Elbow 90'	1			
5	00072-00108	Adaptor	1			
6	11000-40865	Bolt M8X65	2			
7	11400-20008	Spring Washer M8	2			
8	19017-12400	Valve, Selector	1			
9	00951-27100	Bracket	1			
10	15080-10006	Elbow 90'	1			
11	00099-00001	Nipple	1			
12	00951-27200	Handle	1			
13	15027-11504	Elbow 90'	1			
14	14200-10180	O-Ring	1			
15	15027-11203	Elbow 90'	3			
16	14200-10140	O-Ring	1			
17	15027-11202	Elbow 90'	2			
18	14200-10110	O-Ring	1			
19	15150-00211	Elbow 90'	2			
20	14200-10110	O-Ring	1			
21	11000-40825	Bolt M8X25	4			
22	11400-20008	Washer, Spring M8	4			
23	16501-42050	Grip	1			
24	00091-06115	Nipple	1			
25	00091-06070	Nipple	1			

VALVE & ACCESSORIES 1

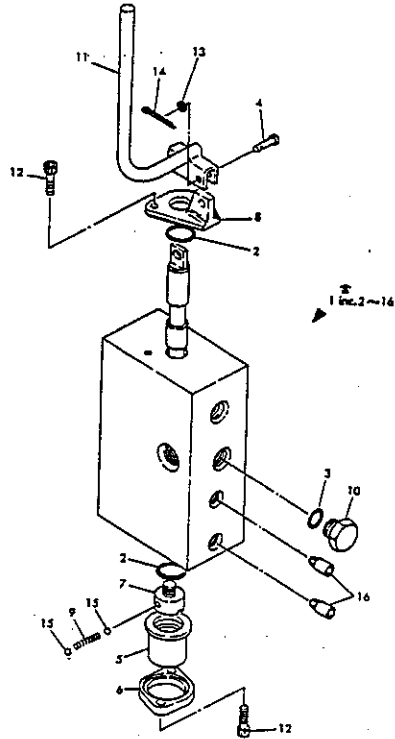
Figure 20



ITEM	PARTS NUMBER	DESCRIPTION	QTY.	CHANGE	SERIAL #	REMARKS
1	19010-23200	Valve, Main Control	1			
2	00072-00150	Adaptor	3			
3	00072-62003	Adaptor	1			
4	00091-06060	Nipple	1			
5	00099-00009	Nipple	1			
6	00072-12039	Adaptor	2			
7	15134-00002	Adaptor	3			
8	15134-00001	Adaptor	1			
9	15013-00002	Elbow 90'	6			
10	15110-00004	Adaptor	3			
11	15110-00002	Adaptor	6			
12	15023-21002	Elbow 90'	1			
13	15023-21204	Elbow 90'	1			
14	15027-11203	Elbow 90'	3			
15	14200-10110	O-Ring	3			
16	15028-21203	Adaptor	8			
17	15018-10002	Plug	3			
18	15080-00006	Elbow 90'	1			
19	00072-00108	Adaptor	1			
20	14200-10140	O-Ring	14			
21	00932-98200	Plate	1			
22	11000-40820	Bolt M8X20	7			
23	11400-20008	Washer, Spring M8	7			

SELECTOR VALVE

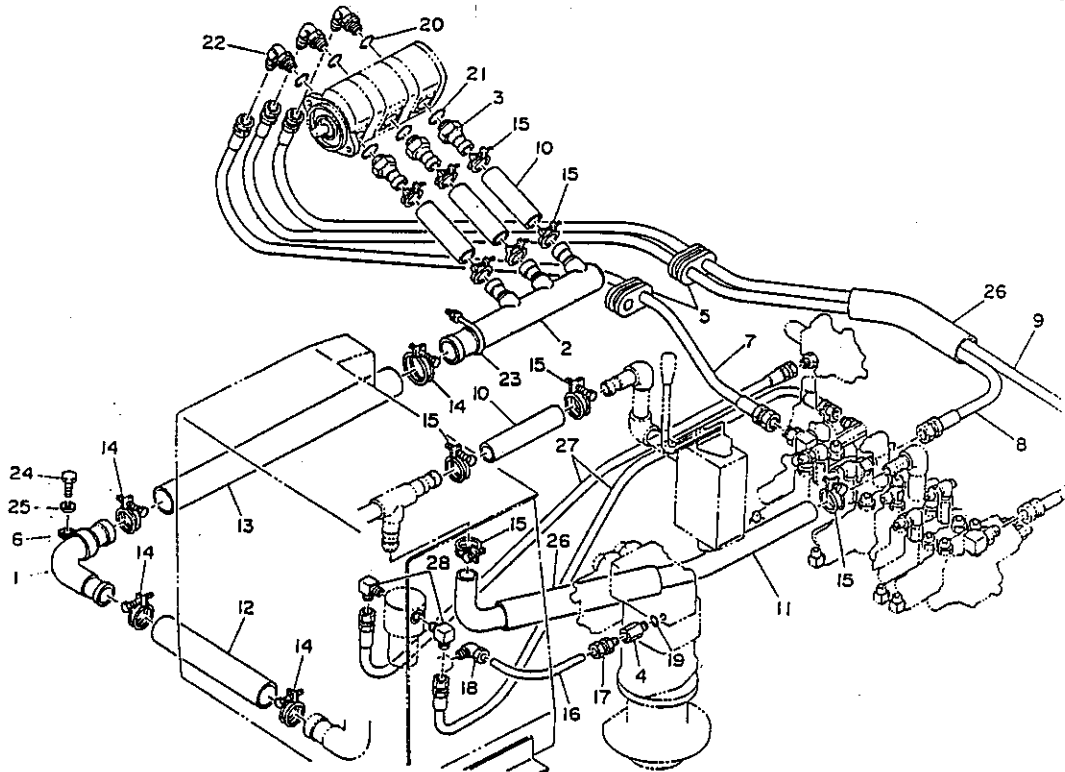
Figure 21



ITEM	PARTS NUMBER	DESCRIPTION	QTY.	CHANGE	SERIAL #	REMARKS
1	19017-12400	Valve, Selector	1			
2	14200-00180	O-Ring	2			
3	14200-10140	O-Ring	1			
4	14330-30004	Lever Pin	2			
5	19017-01803	Sleeve	1			
6	19017-01804	Collar	1			
7	19017-01805	Stopper	1			
8	14330-20011	Bracket, Lever	1			
9	19010-03756	Spring	1			
10	19017-08713	Plug	1			
11	19017-08717	Lever	1			
12	11100-50618	Bolt M6X 8	4			
13	11411-10005	Washer M5	2			
14	12100-01210	Cotter Pin	2			
15	13900-20300	Steel Ball	2			
16	19017-10403	Check	2			

PIPING: UPPER 1

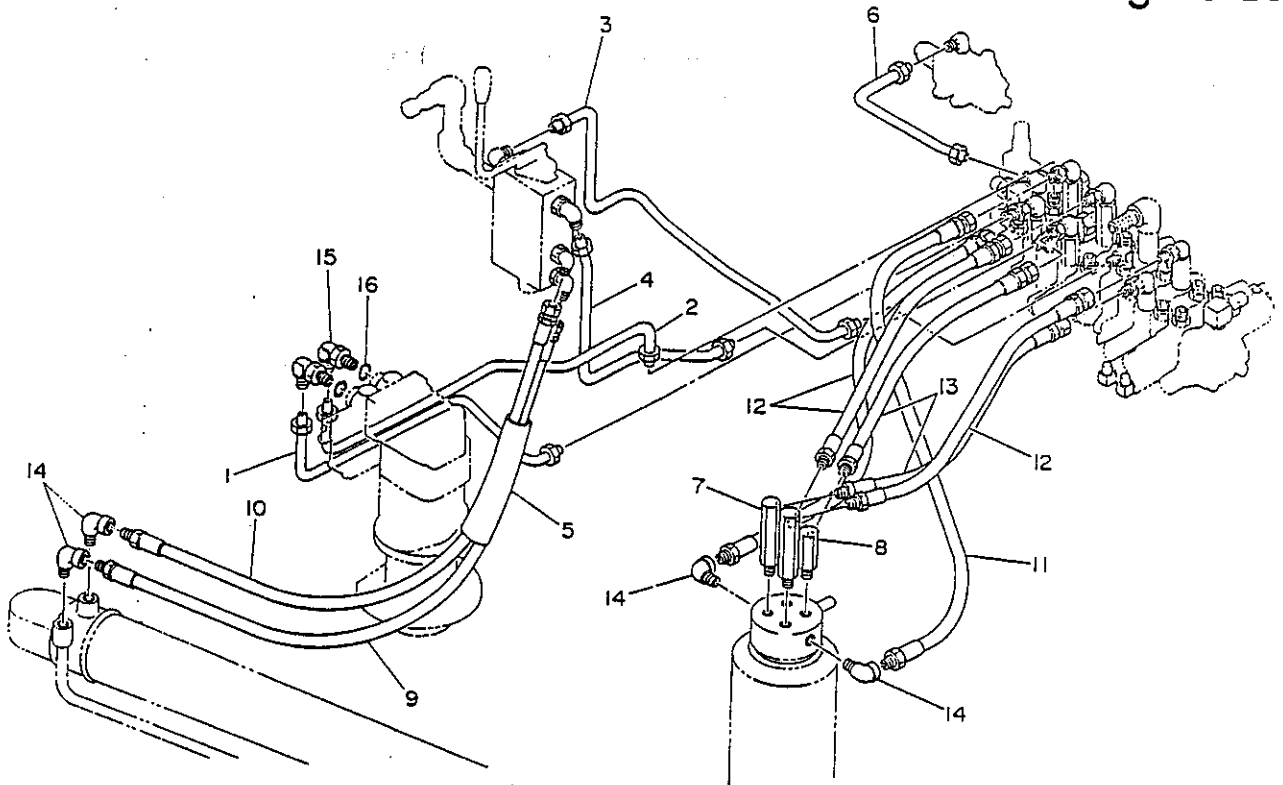
Figure 22



ITEM	PARTS NUMBER	DESCRIPTION	QTY.	CHANGE	SERIAL #	REMARKS
1	03070-02200	Pipe	1			
2	01070-10100	Pipe, Inlet	1			
3	00072-00026	Nipple	3			
4	00970-53200	Connector	1			
5	00870-30400	Guard	2			
6	00073-00031	Clamp	1			
7	19052-12100	Hose Assy.	1			
8	19052-12125	Hose Assy.	1			
9	19052-12145	Hose Assy.	1			
10	15305-26016	Hose	4			
11	15305-26085	Hose	1			
12	15305-41025	Hose	1			
13	15305-41050	Hose	1			
14	15330-01055	Clamp	4			
15	15330-01035	Clamp	10			
16	15320-20615	Tube	1			
17	15325-20601	Connector	1			
18	15326-20601	Elbow 90°	1			
19	14203-10904	O-Ring	1			
20	14203-10910	O-Ring	3			
21	14203-10912	O-Ring	3			
22	15152-00433	Elbow 90°	3			
23	15332-00012	U-Bolt Assy.	1			
24	11000-40816	Bolt	1			
25	11400-20008	Washer, Spring	1			
26	15313-45025	Guard	2			
27	19048-23100	Hose Assy.	2			

PIPING: UPPER 2

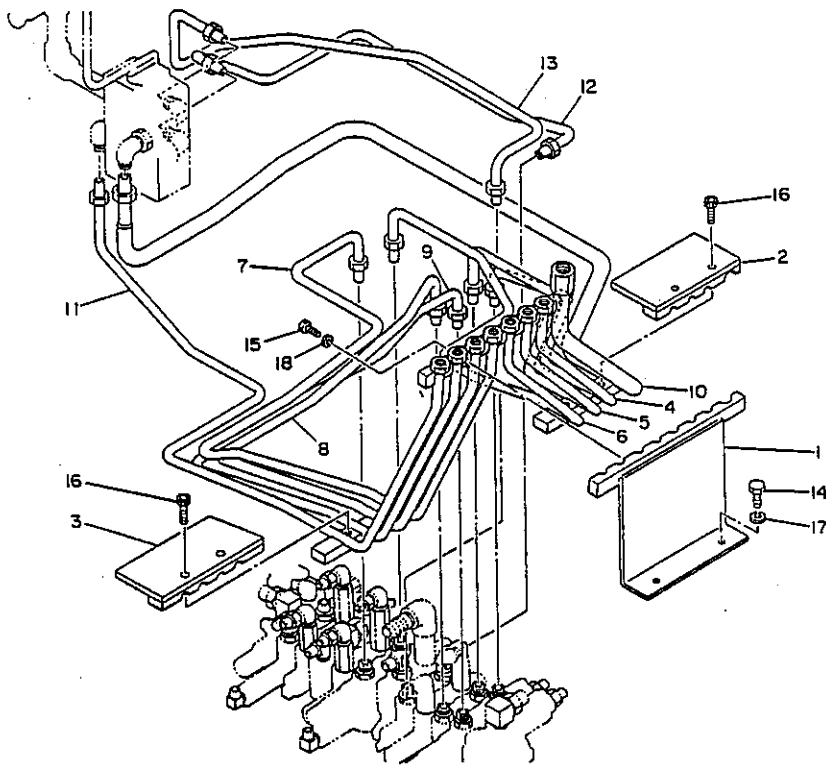
Figure 23



ITEM	PARTS NUMBER	DESCRIPTION	QTY.	CHANGE	SERIAL #	REMARKS
1	00970-71200	Pipe	1			
2	00970-71300	Pipe	1			
3	00970-71400	Pipe	1			
4	00970-71500	Pipe	1			
5	15313-35025	Guard	1			
6	00970-71800	Pipe	1			
7	00072-00054	Adaptor	2			
8	00072-00042	Adaptor	2			
9	19090-08080	Hose Assy.	1			
10	19090-08075	Hose Assy.	1			
11	19090-08045	Hose Assy.	1			
12	19090-08035	Hose Assy.	3			
13	19090-08030	Hose Assy.	2			
14	15013-00002	Elbow 90'	4			
15	15027-11202	Elbow 90'	2			
16	14200-10110	O-Ring	2			

PIPING: UPPER 3

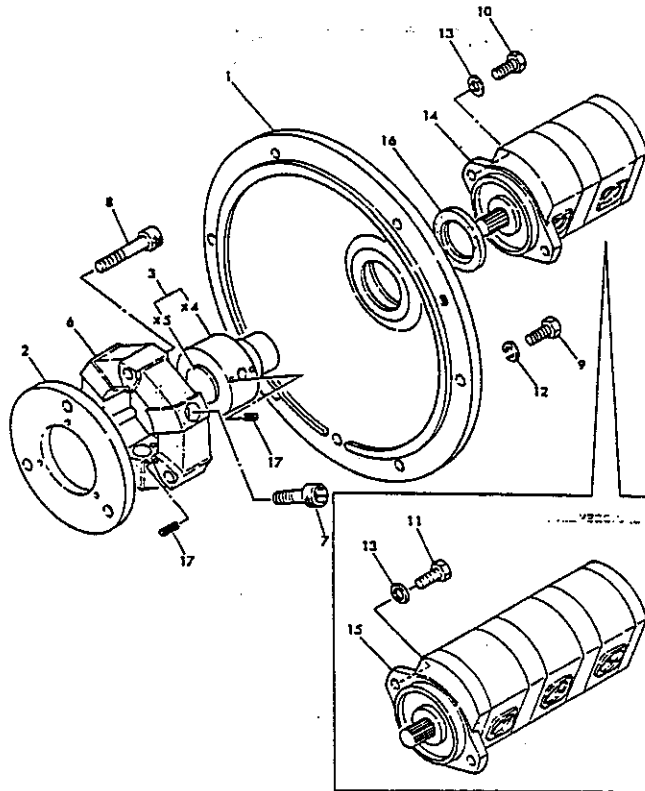
Figure 24



ITEM	PARTS NUMBER	DESCRIPTION	QTY.	CHANGE	SERIAL #	REMARKS
1	01070-14400	Clamp	1			
2	00970-70100	Clamp	1			
3	00970-62300	Clamp	1			
4	00970-70200	Pipe	1			
5	00970-70300	Pipe	1			
6	00970-70400	Pipe	1			
7	00970-70500	Pipe	1			
8	00970-70600	Pipe	1			
9	00970-70700	Pipe	1			
10	00970-70800	Pipe	1			
11	00970-70900	Pipe	1			
12	00970-71000	Pipe	1			
13	00970-71100	Pipe	1			
14	11000-41018	Bolt	2			
15	11000-40830	Bolt	3			
16	11100-40835	Bolt, Socket	4			
17	11400-20010	Washer, Spring	2			
18	11400-20008	Washer, Spring	3			

HYDRAULIC PUMP & DRIVE

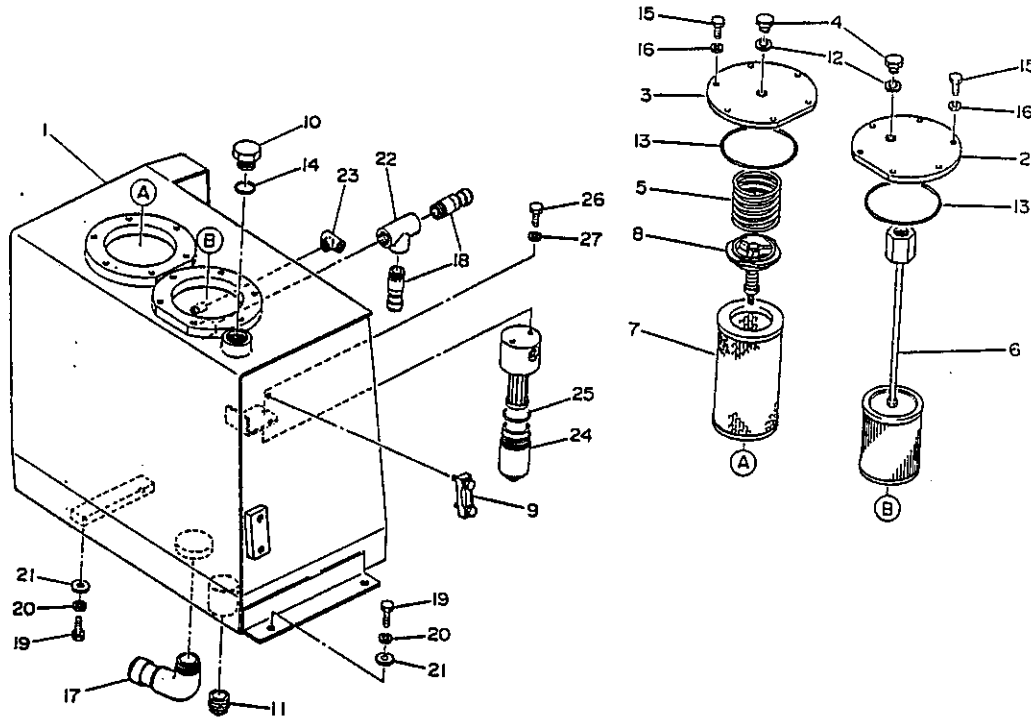
Figure 25



ITEM	PARTS NUMBER	DESCRIPTION	QTY.	CHANGE	SERIAL #	REMARKS
1	01452-51000	Housing, Engine	1			
2	01452-51200	Flange	1			
3	02552-90000	Coupling Assy.	1			
4	02552-01200	Coupling	1			
5	02552-01300	Cover	1			
6	16020-00160	Center Flex Coupling	1			
7	11100-51240	Bolt M12X40	3			
8	11100-51265	Bolt M12X65	3			
9	11000-41025	Bolt M10X25	6			
10	11030-51025	Bolt M10X25	2			
11	11400-20010	Spring Washer M10	6			
12	11411-10010	Washer M10	2			
13	19020-07800	Pump Assy., Hyd. Oil	1			
14	14004-02382	Oil Seal	1			
15	12130-00510	Spring Pin 5X10	9			

HYDRAULIC TANK

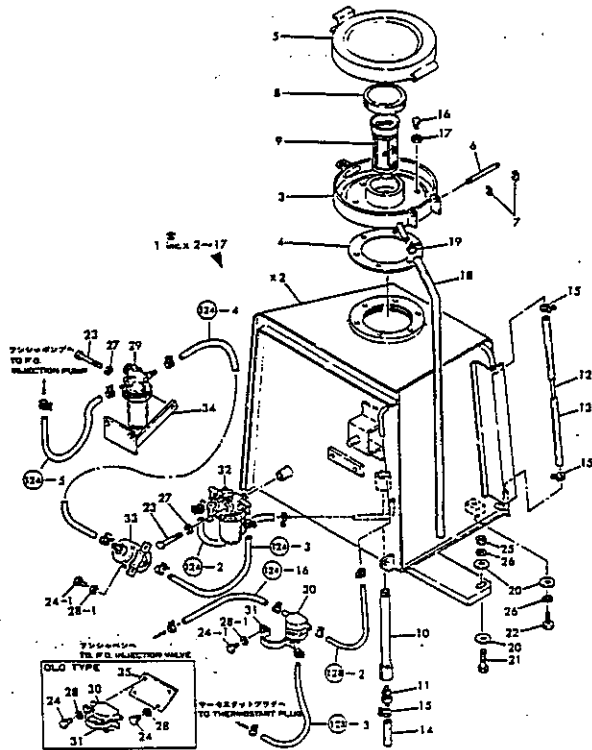
Figure 26



ITEM	PARTS NUMBER	DESCRIPTION	QTY.	CHANGE	SERIAL #	REMARKS
0-1	00980-90060	Tank Assy., Hydraulic	1			
1	00980-37100	Tank, Hydraulic	1			
2	02280-10200	Flange	1			
3	05480-00200	Flange	1			
4	02180-10900	Plug	2			
5	00070-00031	Spring	1			
6	15501-00400	Strainer	1			
7	15511-00700	Hydraulic Filter	1			
8	15511-00300	Valve Assy.	1			
9	15530-20655	Gauge	1			
10	15017-50010	Plug	1			
11	15087-00010	Plug	1			
12	15142-01616	Packing	2			
13	14201-01300	O-Ring	2			
14	14200-10290	O-Ring	1			
15	11000-51025	Bolt M10X25	12			
16	11400-10010	Washer, Spring M10	12			
17	00980-29100	Pipe	1			
18	00099-00001	Nipple	2			
19	11000-51025	Bolt M10X25	4			
20	11400-10010	Washer, Spring M10	4			
21	00036-00003	Washer, Spring	4			
22	15082-00006	Tee	1			
23	15082-00007	Tee	1			
0-1	15511-00900	Filter Assy.	1			
24	15511-00902	Case	1			
25	14201-00400	O-Ring	1			

FUEL TANK

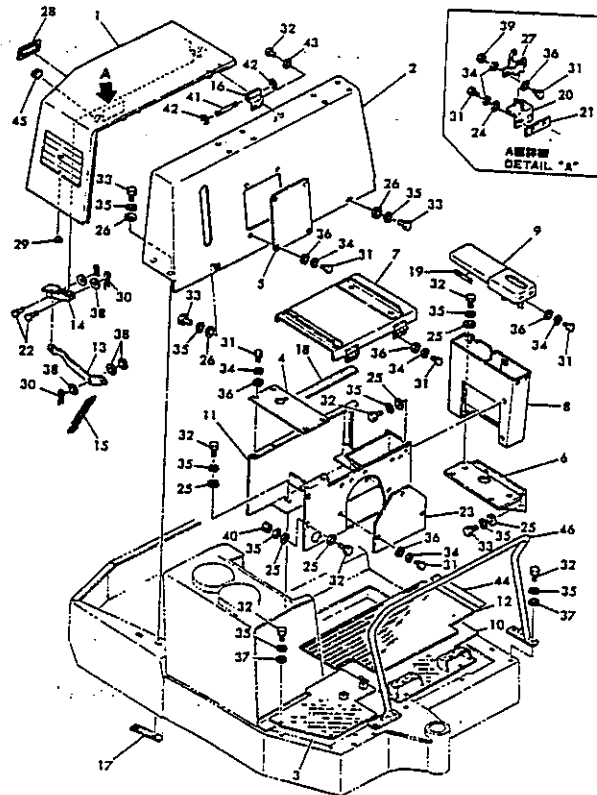
Figure 27



ITEM	PARTS NUMBER	DESCRIPTION	QTY.	CHANGE	SERIAL #	REMARKS
1	00981-90030	Fuel Oil Tank Assy.	1			
2	00981-34300	Fuel Oil Tank	1			
3	01081-10200	Sump, Fuel	1			
4	01681-06300	Gasket	1			
5	05481-02300	Cover, Fuel	1			
6	00042-08075	Shaft, Lever	1			
7	12240-00006	Circlip M6	2			
8	15520-01022	Cover	1			
9	15520-02012	Strainer, Fuel	1			
10	01081-10300	Joint	1			
11	00072-00090	Valve, Drain	1			
12	01081-11300	Gauge, Level	1			
13	15310-10037	Tube	1			
14	15310-10006	Hose	1			
15	15330-01015	Clamp, Wire	3			
16	26160-80122	Bolt M8X12 Plated	6			
17	11411-10008	Washer M8	6			
18	15311-12075	Tube	1			
19	15330-01015	Clamp, Wire	1			
20	00036-00025	Washer	5			
21	26161-00402	Bolt M10X40 Plated	1			
22	26161-00202	Bolt M10X20 Plated	3			
23	26160-80702	Bolt M8X70 Plated	2			
24	26160-60102	Bolt M6X10 Plated	4			
25	11300-40010	Nut M10				
26	22171-00000	Spring Washer M10	4			
27	22170-80000	Spring Washer M8	2			

BONNET RELATIONS

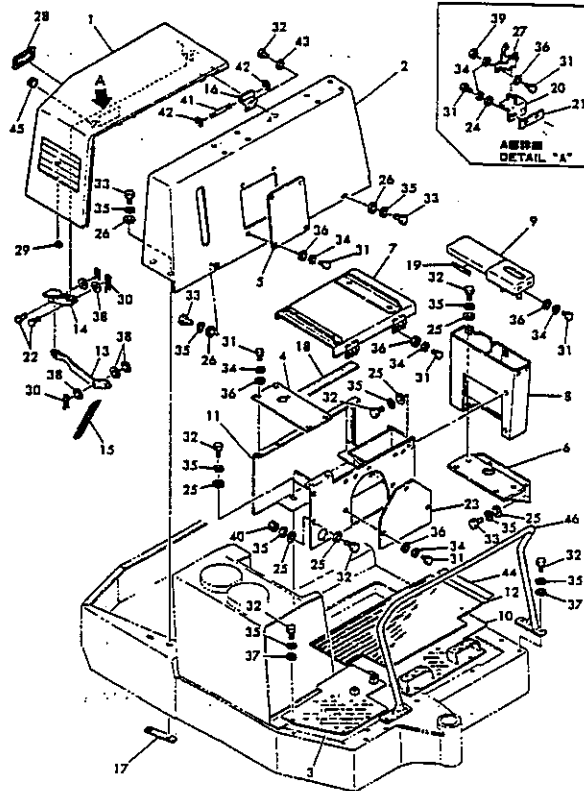
Figure 28



ITEM	PARTS NUMBER	DESCRIPTION	QTY.	CHANGE	SERIAL #	REMARKS
1	00982-77500	Cover, Eng.	1			
2	00982-77400	Cover (Front), Eng.	1			
3	00982-73900	Plate, Stage	1			
4	00982-77100	Center Cover	1			
5	00982-73600	Cover	1			
6	01082-13500	Angle Stay	1			
7	01082-13900	Cover, Tool Box	1			
8	01082-18500	Stand	1			
9	01082-18400	Cover, Control	1			
10	01082-16100	Plate, Stage	1			
11	00982-77600	Cover, Floor	1			
12	01082-17300	Mat, Floor	1			
13	00982-77800	Link, Cover	1			
14	00982-77700	Link, Cover	1			
15	00070-00030	Spring	1			
16	01082-18300	Hinge	2			
17	01082-11800	Nut Plate	1			
18	01082-11900	Rubber Plate	1			
19	05482-05300	Nonslip Seat	1			
20	00982-56700	Hook	11			
21	00982-5700	Nut Plate	1			
22	00040-00001	Pin	2			
23	00982-74400	Cover	1			
24	00036-08003	Washer	2			
25	00036-00020	Washer	15			
26	00036-00025	Washer	8			
27	16536-10304	Door Lock Assy.	1			

BONNET RELATIONS

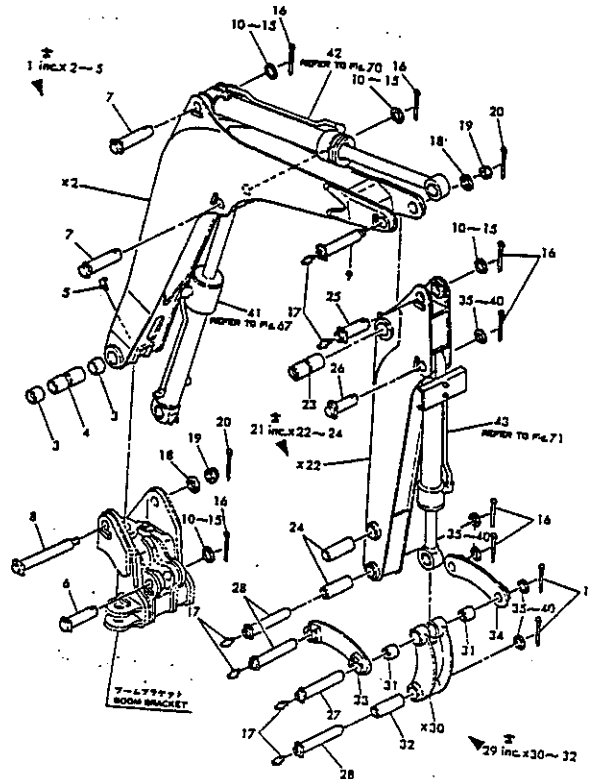
Figure 28



ITEM	PARTS NUMBER	DESCRIPTION	QTY.	CHANGE	SERIAL #	REMARKS
28	16546-01100	Trim	1			
29	16525-05400	Cushion, Rubber	2			
30	12140-00012	Snap Ring 12	3			
31	11000-40820	Bolt M8X 20	23			
32	11000-41020	Bolt M10X20	34			
33	11000-41025	Bolt M10X25	12			
34	11400-20008	Spring Washer M8	23			
35	11400-20010	Spring Washer M10	46			
36	11411-10008	Washer M8	18			
37	11411-10010	Washer M10	17			
38	11411-10012	Washer M12	5			
39	11300-40008	Nut M8	2			
40	11300-40010	Nut M10	2			
41	00042-06091	Shaft, Lever	2			
42	12240-10004	Circlip	4			
43	11415-40010	Washer M10	4			
44	01082-18800	Nonslip Seat	1			
45	16520-52400	Grommet	1			
46	01082-14200	Guard, Front	1			

BOOM AND ARM

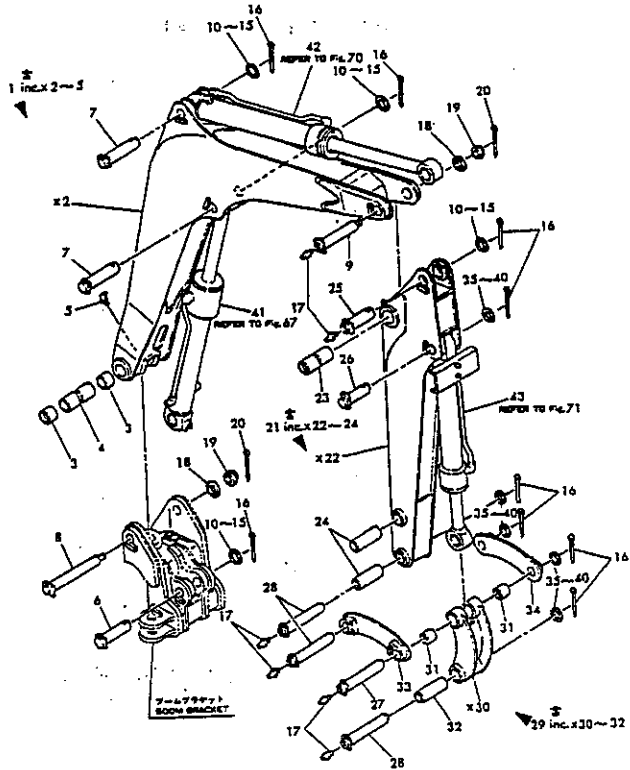
Figure 31



ITEM	PARTS NUMBER	DESCRIPTION	QTY.	CHANGE	SERIAL #	REMARKS
1	00960-90040	Boom Assy., Main	1			
2	00960-52100	Boom, Main	1			
3	00024-40040	Bushing	2			
4	00035-00007	Collar	1			
5	15600-01900	Nipple, Grease PT1/8	1			
6	00010-40138	Pin	1			
7	00010-40161	Pin	2			
8	00014-04005	Pin	1			
9	00019-00051	Pin	1			
10	00030-40000	Collar T1.0	4			
11	00030-40001	Collar T1.6	4			
12	00030-40002	Collar T2.3	4			
13	00030-40003	Collar T3.2	4			
14	00030-40004	Collar T4.0	4			
15	00030-40005	Collar T5.0	4			
16	12100-00860	Cotter Pin 8X60	9			
17	15600-01000	Grease Nipple	6			
18	00039-00013	Washer	2			
19	11326-20030	Castle Nut M30	2			
20	12100-00655	Cotter Pin 6X55	2			
21	00961-90020	Arm Assy.	1			
22	00961-36100	Arm	1			
23	00023-40124	Bushing	1			
24	00021-00003	Bushing	2			
25	00013-40125	Pin	1			
26	00010-35125	Pin	1			
27	00019-00010	Pin	1			

BOOM AND ARM

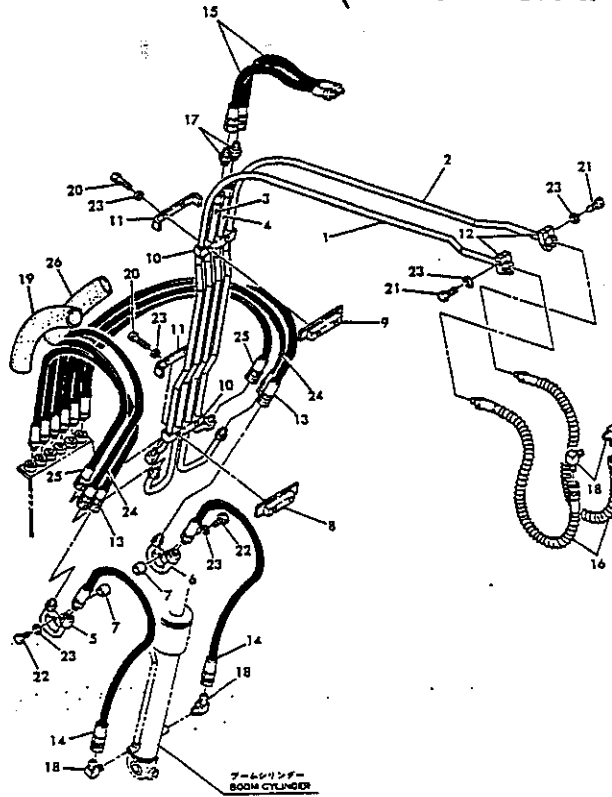
Figure 31



ITEM	PARTS NUMBER	DESCRIPTION	QTY.	CHANGE	SERIAL #	REMARKS
28	00013-35206	Pin	3			
29	00961-90001	Link Arm Assy.	1			
30	00961-32400	Link Arm	1			
31	00021-00001	Bushing	2			
32	00021-00003	Bushing	1			
33	00961-32500	Plate, R	1			
34	00961-32600	Plate, L	1			
35	00030-35000	Collar T1.0	5			
36	00030-35001	Collar T1.6	5			
37	00030-35002	Collar T2.3	5			
38	00030-35003	Collar T3.2	5			
39	00030-35004	Collar T4.0	5			
40	00030-35005	Collar T5.0	5			
41	19000-30500	Cyl. Assy., Main Boom	1			
42	19000-13400	Cyl. Assy., Arm	1			
43	19000-24900	Cyl. Assy., Bucket	1			

HYD. OIL PIPING (BOOM & ARM)

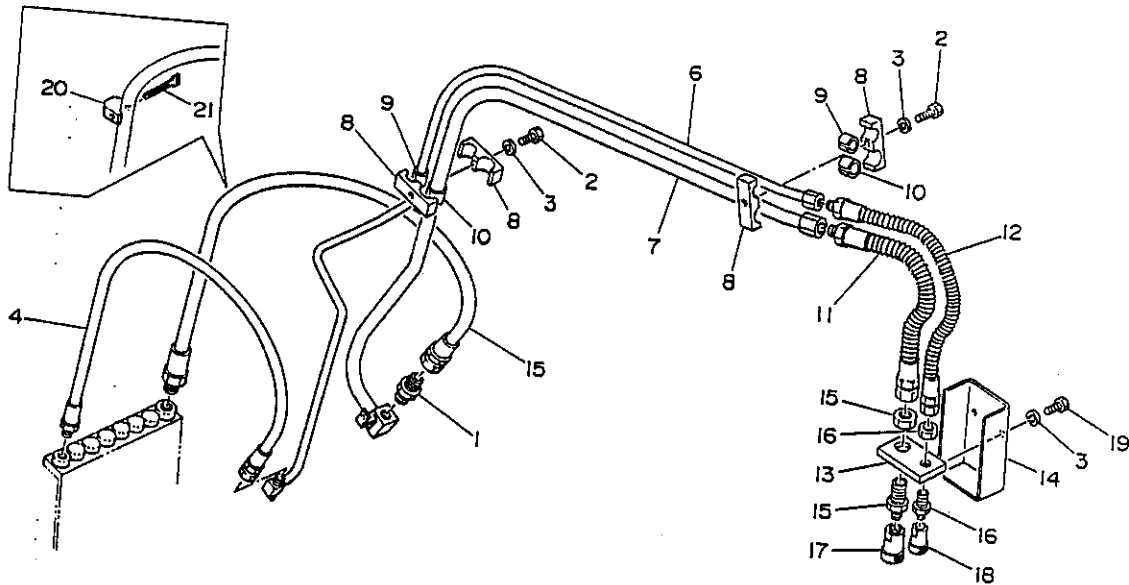
Figure 33



ITEM	PARTS NUMBER	DESCRIPTION	QTY.	CHANGE	SERIAL #	REMARKS
1	00973-51100	Pipe, Bucket (R)	1			
2	00973-51200	Pipe, Bucket (L)	1			
3	00973-51300	Pipe, Arm (R)	1			
4	00973-51400	Pipe, Arm (L)	1			
5	00973-51500	Pipe, Boom (R)	1			
6	00973-51600	Pipe, Boom (L)	1			
7	00973-51700	Boss, Mtg.	2			
8	00973-51800	Plate, Mtg.	1			
9	01473-54800	Plate, Mtg.	1			
10	01473-54500	Protector, Pipe	2			
11	01473-54400	Clamp, Pipe	2			
12	00973-41800	Clamp	2			
13	19050-09110	Hose, HP	2			
14	19050-09075	Hose, HP	2			
15	19050-09035	Hose, HP	2			
16	19081-09065	Hose, HP w/Wire	2			
17	15110-00003	Adaptor, Hose	2			
18	15111-00003	Adaptor	4			
19	11000-50840	Bolt M8X40	4			
20	11000-50840	Bolt M8X40	4			
21	11000-50820	Bolt M8X20	2			
22	11400-10008	Washer M8	2			
23	19050-09114	Hose	2			
24	15313-45075	Hose	2			
25	19050-09118	Hose, HP	2			

HYD. OIL PIPING (AUX.)

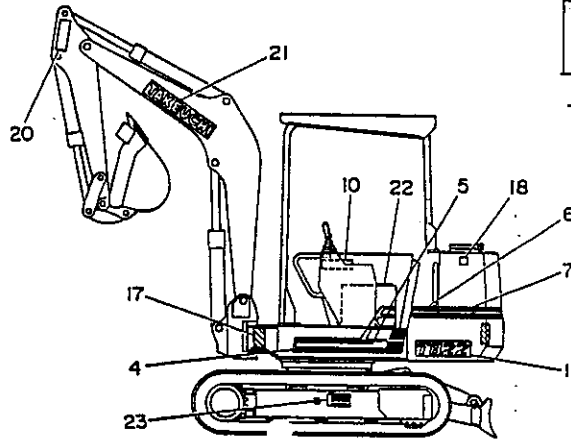
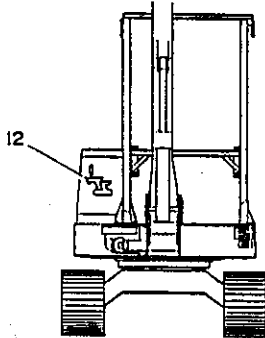
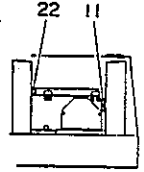
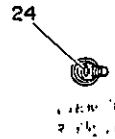
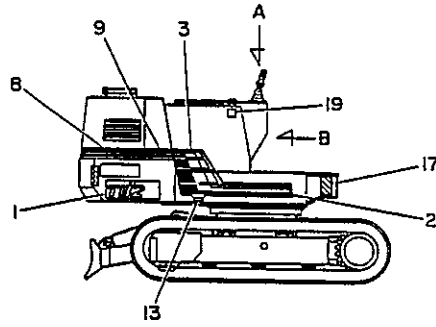
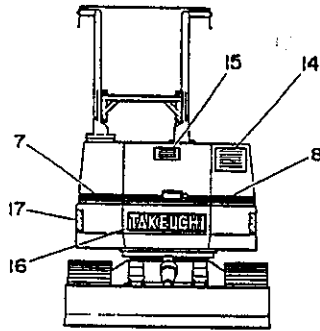
Figure 34



ITEM	PARTS NUMBER	DESCRIPTION	QTY.	CHANGE	SERIAL #	REMARKS
0-1	00973-90000	Breaker Piping Assy.	1			
1	15110-00001	Adaptor	1			
2	11000-50835	Bolt M8X35	2			
3	11400-10008	Washer, Spring M8	4			
4	19050-09118	Hose Assy.	1			
5	19050-16130	Hose Assy.	1			
6	00973-53100	Pipe	1			
7	00973-55400	Pipe	1			
8	00973-53300	Clamp	2			
9	01473-51300	Protector	2			
10	05673-11800	Rubber	2			
11	19081-19080	Hose Assy.	1			
12	19081-09085	Hose Assy.	1			
13	00973-55100	Plate	1			
14	00973-55200	Guard	1			
15	15116-00006	Adaptor 15116-20006	1	12/15/3	1156	p/#15116-20006
16	15116-00003	Adaptor 15116-20003	1			p/#15116-20003
17	15166-00006	Socket Coupling	1			
18	15166-00006	Socket Coupling	1			
19	11000-40816	Bolt M8X16	2			
20	00973-54100	Rubber	1			
21	16522-01007	Band	1			

DECALS

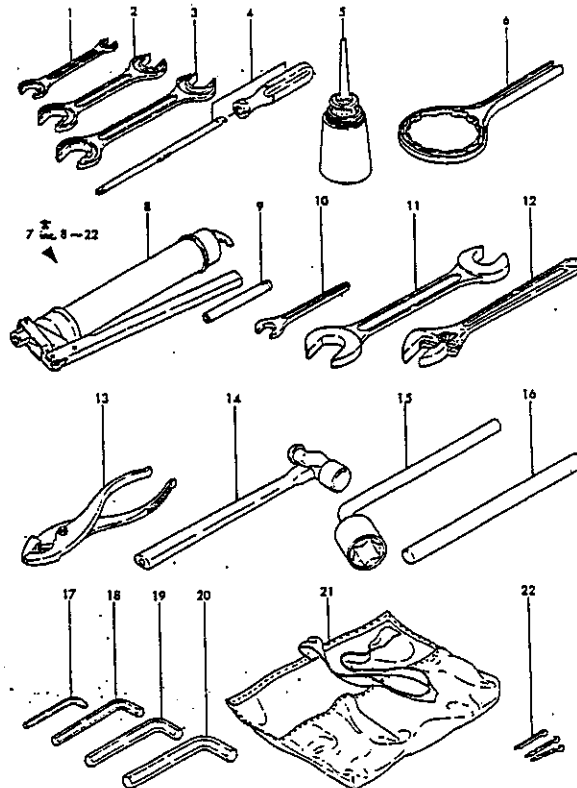
Figure 35



ITEM	PARTS NUMBER	DESCRIPTION	QTY.	CHANGE	SERIAL #	REMARKS
0-1	00993-68000	Sticker Set Canopy	1			
1	00993-68100	Sticker	1			
2	00993-62200	Sticker	1			
3	00993-62300	Sticker	1			
4	00993-62400	Sticker	1			
5	00993-62500	Sticker	1			
6	00993-62600	Sticker	1			
7	00993-62700	Sticker	1			
8	00993-62800	Sticker	1			
9	00993-62900	Sticker	1			
10	00993-63100	Sticker	1			Type "G"
	00993-63200	Sticker	1			Type "A"
11	03093-01900	Sticker	1			
12	01493-65100	Symbol Mark	1			
13	03093-01700	Sticker	1			
14	02593-00300	Sticker	1			
15	02593-00400	Sticker	1			
16	00693-50300	Sticker	1			
17	00993-29400	Symbol Mark	4			
18	02593-00600	Symbol Mark	1			
19	02593-00700	Symbol Mark	1			
20	02593-01000	Sticker	1			
21	01893-11400	Symbol Mark	2			
22	05493-09600	Sticker	1			
23	01593-30100	Sticker	2			
24	05693-10800	Symbol Mark	1			

TOOLS

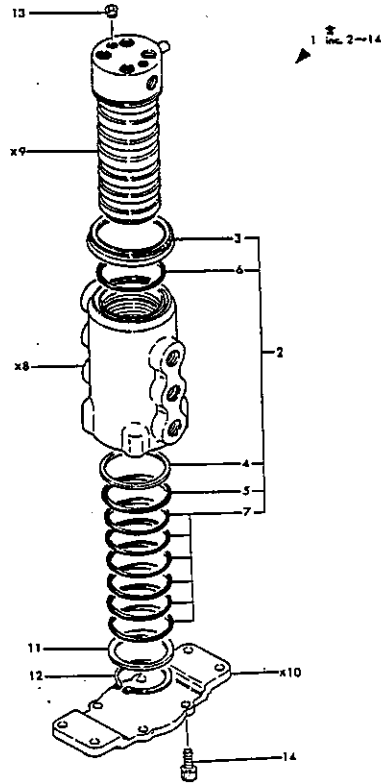
Figure 36



ITEM	PARTS NUMBER	DESCRIPTION	QTY.	CHANGE	SERIAL #	REMARKS
1	281101-00120	Wrench 10 X 12	1			
2	281101-40170	Wrench 14 X 17	1			
3	281101-90220	Wrench 19 X 22	1			
4	104200-92350	Scew driver	1			
5	282100-00140	Oil Feeder	1			
6	124550-35350	Remover	1			
7	01092-90000	Tool Set	1			
8	16910-50300	Grease Gun	1			
9	16911-00003	Nozzle, Grease Gun	1			
10	16901-00013	Wrench	1			
11	16900-02427	Wrench	1			
12	16904-00250	Wrench	1			
13	16905-00200	Plier	1			
14	16903-00330	Hammer	1			
15	16908-50026	Wrench 26	1			
16	00079-00009	Pipe	1			
17	16906-00500	Wrench	1			
18	16906-00600	Wrench	1			
19	16906-00800	Wrench	1			
20	16906-01000	Wrench	1			
21	16914-00003	Bag, Tool	1			
22	12100-00860	Cotter Pin 8X60	3			

SWIVEL JOINT

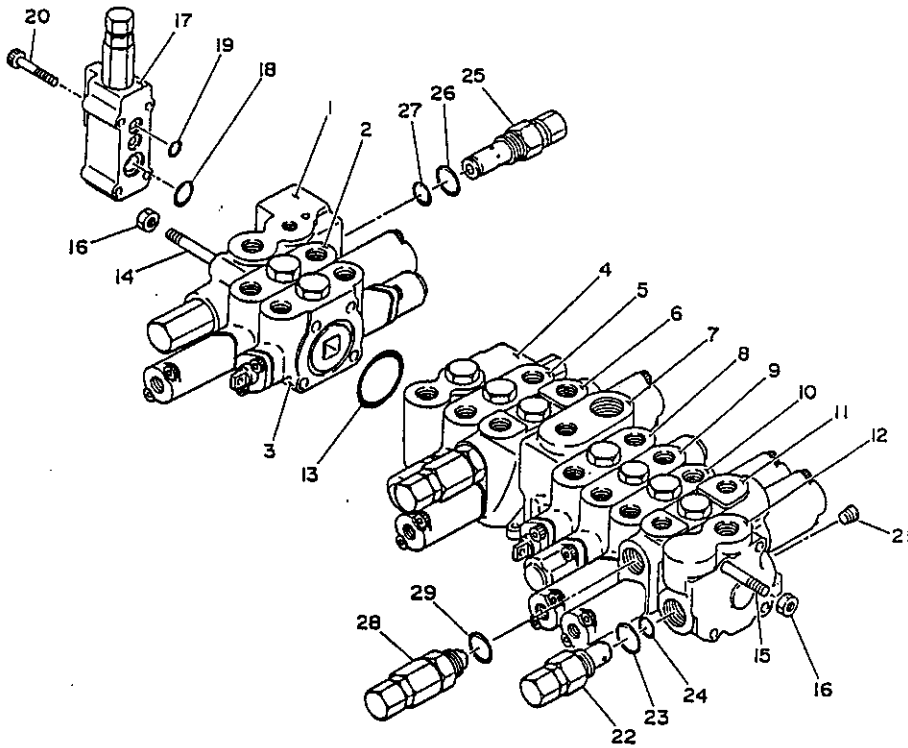
Figure 37



ITEM	PARTS NUMBER	DESCRIPTION	QTY.	CHANGE	SERIAL #	REMARKS
1	19040-03800	Joint	1			
2	19040-03799	Seal Kit	1			
3	19040-01695	Seal, Dust	1			
4	14212-01400	Back-up Ring	1			
5	14200-10550	O-Ring 1B-P55	1			
6	243210-00600	O-Ring 1A G-60.0	1			
7	14203-10228	O-Ring AR568-228-1B	6			
8	X19040-03801	Hub	1			
9	X19040-03711	Shaft	1			
10	X19040-01621	Flange	1			
11	19040-03791	Washer, Thrust	1			
12	19040-00893	Circlip, Shaft	1			
13	15018-10001	Plug 1/8	2			
14	11000-40820	Bolt M8X20	4			

CONTROL VALVE 1

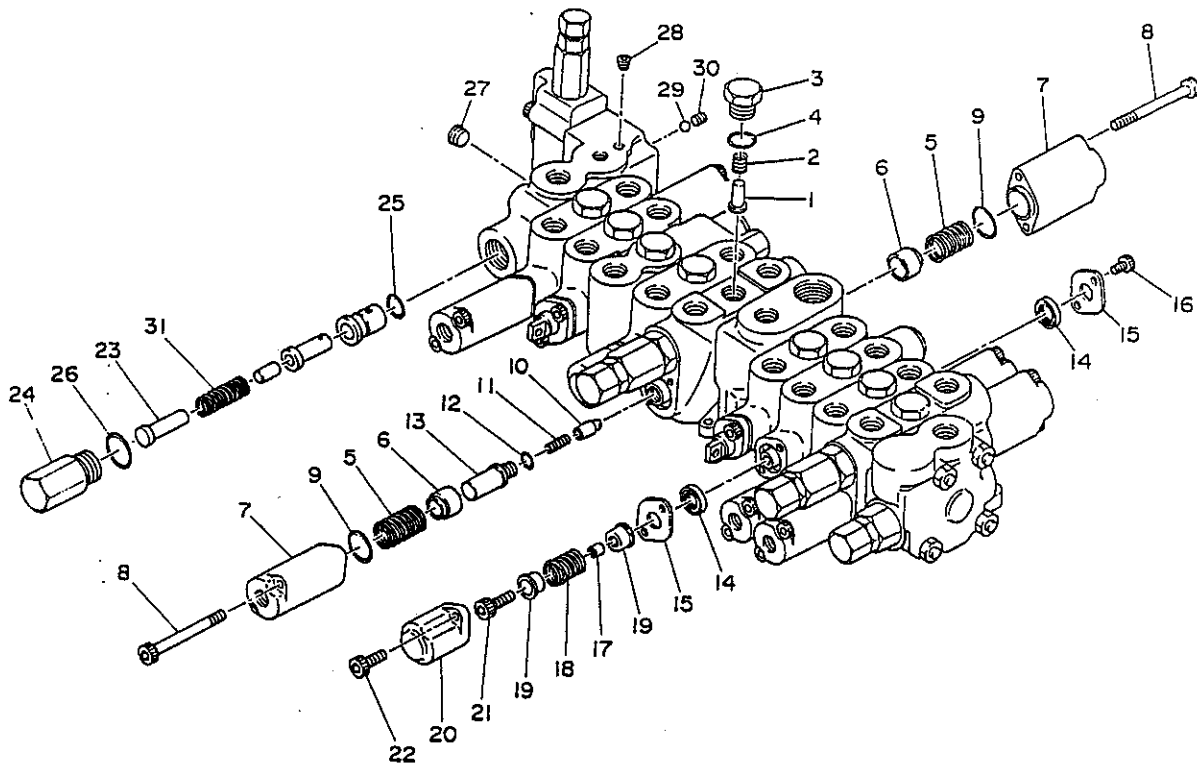
Figure 38



ITEM	PARTS NUMBER	DESCRIPTION	QTY.	CHANGE	SERIAL #	REMARKS
0-1	19010-23200	Valve Assy., Control	1			
1	19010-16801	Housing	1			
2	19010-16811	Block Assy., Slew	1			
3	19010-20177	Block Assy., Blade	1			
4	19010-23101	Housing	1			
5	19010-22814	Block Assy., Traction (L)	1			
6	19010-23212	Block Assy., Arm	1			
7	19010-23104	Housing	1			
8	19010-19118	Block Assy., Swing	1			
9	19010-23115	Block Assy., Traction (R)	1			
10	19010-16814	Block Assy., Bucket	1			
11	19010-16816	Block Assy., Boom	1			
12	19010-16105	Housing	1			
13	14201-10550	O-Ring	11			
14	19010-73206	Boit	4			
15	19010-16107	Boit	4			
16	11300-50008	Nut	8			
17	19010-20821	Valve Assy.	1			
18	14200-10140	O-Ring	1			
19	14200-00080	O-Ring	1			
20	11100-50640	Boit, Socket M6X40	4			
21	15018-10002	Plug	2			
22	19010-22821	Valve Assy.	2			
23	14200-10220	O-Ring	1			
24	14329-00010	O-Ring	1			
25	19010-23221	Valve Assy.	1			
26	14200-10220	O-Ring	1			

CONTROL VALVE 2

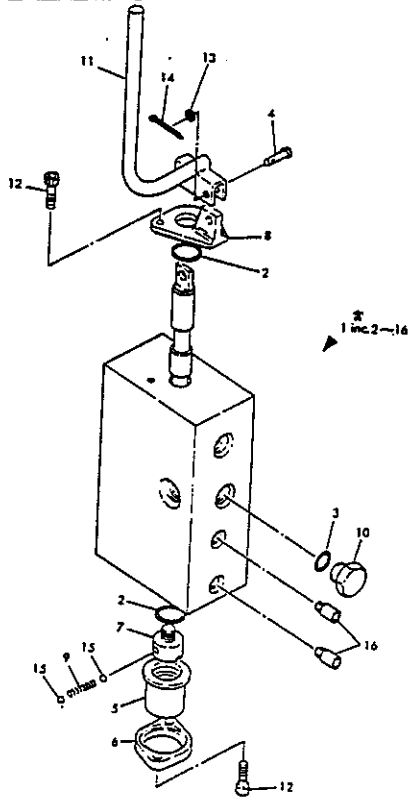
Figure 39



ITEM	PARTS NUMBER	DESCRIPTION	QTY.	CHANGE	SERIAL #	REMARKS
1	19010-09866	Valve, Check	5			
2	19010-16156	Spring	5			
3	19010-04166	Plug	8			
4	14200-10140	O-Ring	8			
5	19010-16857	Spring	8			
6	19010-16841	Holder, Spring	8			
7	19010-20861	Cover	8			
8	11100-50670	Bolt, Socket M6X70	16			
9	14200-10220	O-Ring	8			
10	19010-23290	Valve, Check	1			
11	19010-23256	Spring	1			
12	14200-10060	O-Ring	1			
13	19010-23291	End, Spool	1			
14	14329-00036	Seal, Oil	8			
15	19010-09841	Holder, Seal	8			
16	11100-50610	Bolt, Socket	8			
17	19010-20391	Spacer	4			
18	19010-14356	Spring	4			
19	19010-04151	Holder, Spring	8			
20	19010-04162	Cover	1			
21	11100-50820	Bolt, Socket M8X20	4			
22	11100-50620	Bolt, Socket M6X20	8			
23	19010-16892	Stopper	1			
24	19010-16893	Cover	1			
25	14329-00010	O-Ring	1			
26	14200-10220	O-Ring	1			
27	15018-10002	Plug	1			

SELECTOR VALVE

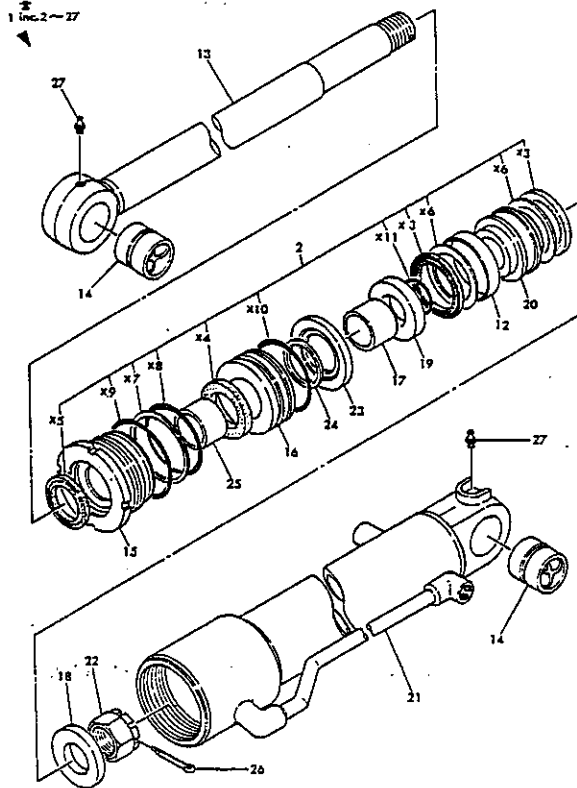
Figure 40



ITEM	PARTS NUMBER	DESCRIPTION	QTY.	CHANGE	SERIAL #	REMARKS
1	19017-12400	Valve, Selector	1			
2	14200-00180	O-Ring	2			
3	14200-10140	O-Ring	1			
4	14330-30004	Lever Pin	2			
5	19017-01803	Sleeve	1			
6	19017-01804	Collar	1			
7	19017-01805	Stopper	1			
8	14330-20011	Bracket, Lever	1			
9	19010-03756	Spring	1			
10	19017-08717	Plug	1			
11	19017-08717	Lever	1			
12	11100-50618	Bolt M6X8	4			
13	11411-10005	Washer M5	2			
14	12100-01210	Cotter Pin	2			
15	13900-20300	Steel Ball	2			
16	19017-10403	Check	2			

MAIN BOOM CYLINDER

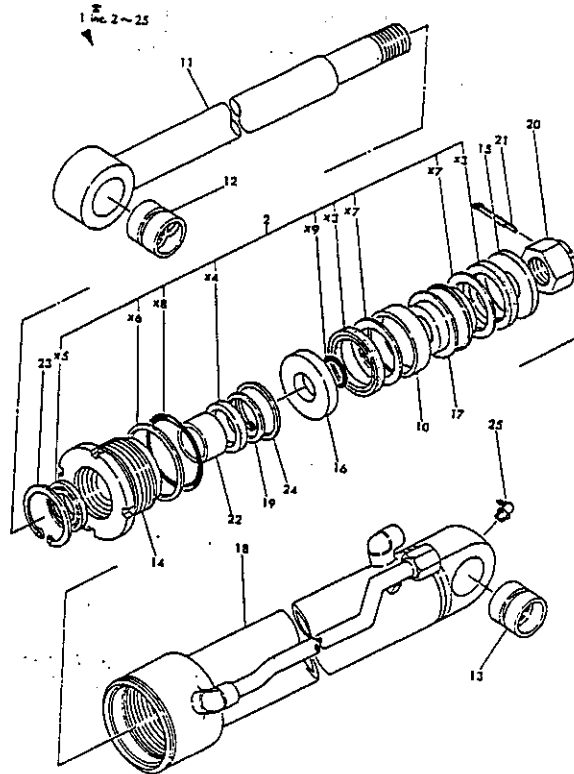
Figure 42



ITEM	PARTS NUMBER	DESCRIPTION	QTY.	CHANGE	SERIAL #	REMARKS
1	19000-30500	Cylinder, Main Boom	1			
2	19000-30599	Seal Kit	1			
3	X14100-70609	U-Ring ODI 70-60-9	2			
4	X14105-45609	U-Ring IDI 45-60-9	1			
5	X19000-30533	Seal Dust	1			
6	X14112-75603	Back-up Ring 75X60X3	2			
7	X14210-20750	Back-up P75-T2	1			
8	X14200-10750	O-Ring G80, 1B	1			
9	X14201-10850	O-Ring G85, 1B	1			
10	X14201-10800	O-Ring G80, 1B	1			
11	X14200-10320	O-Ring P32, 1B	1			
12	14107-07520	Wear Ring	1			
13	19000-30501	Piston Rod	1			
14	19000-16002	Bushing	2			
15	19000-30503	Cover, Rod	1			
16	19000-29304	Retainer	1			
17	19000-29305	Cushion, Rod	1			
18	19000-13350	Plate	1			
19	19000-13355	Holder, Gasket	1			
20	19000-13306	Piston	1			
21	19000-30507	Tube	1			
22	19000-09509	Nut	1			
23	19000-13315	Spacer	1			
24	19000-29316	Cushion Ring	1			
25	13330-04530	Bushing MB453ODU	1			
26	12100-00655	Cotter Pin 6X55	1			
27	15600-01000	Grease Nipple PT 1/8	2			

ARM CYLINDER

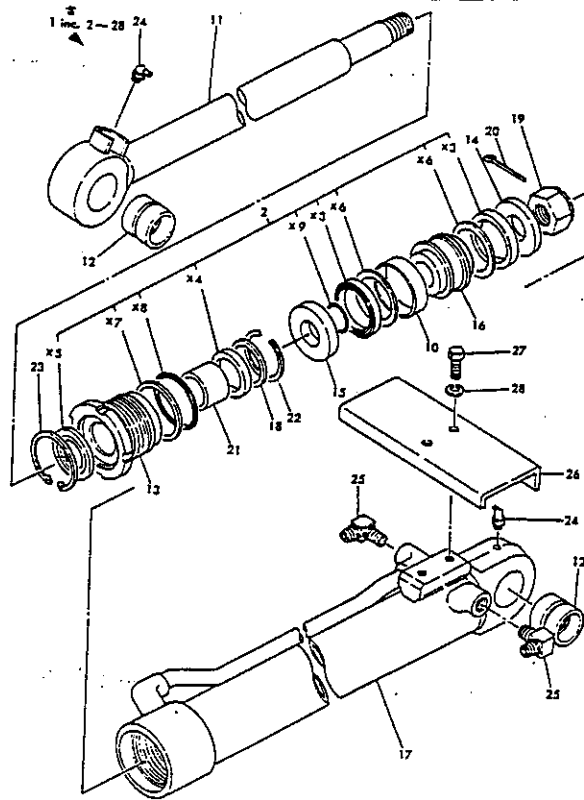
Figure 43



ITEM	PARTS NUMBER	DESCRIPTION	QTY.	CHANGE	SERIAL #	REMARKS
1	19000-13400	Cylinder, Boom	1			
2	19000-13499	Seal Kit	1			
3	X14100-75609	Packing, Piston	2			
4	X14105-45609	Seal, Oil	1			
5	X14111-00045	Seal, Dust	1			
6	X14211-30850	Ring, Back-up G85	1			
7	X14112-75603	Ring, Backup	2			
8	X14201-10850	O-Ring 1B G85.0	1			
9	X14200-10320	O-Ring 1B P32.0	1			
10	14107-07520	Wear Ring	1			
11	19000-13401	Rod, Piston	1			
12	19000-04920	Bushing	1			
13	19000-03702	Bushing	1			
14	19000-13403	Cover, Rod	1			
15	19000-13450	Plate	1			
16	19000-13455	Holder, Packing	1			
17	19000-13406	Piston	1			
18	19000-13407	Pipe	1			
19	19000-02208	Holder, Packing	1			
20	19000-04209	Castle, Nut	1			
21	12100-00660	Cotter Pin 6X60	1			
22	13330-04530	Bushing	1			
23	12210-00063	Circlip 63	1			
24	19000-13414	Snap Ring	1			
25	15600-01900	Nipple, Grease	1			

BUCKET CYLINDER

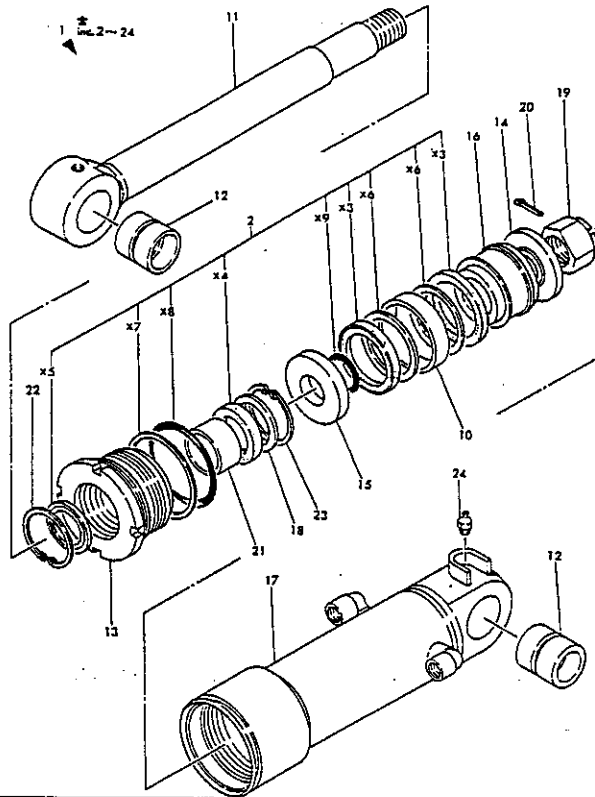
Figure 44



ITEM	PARTS NUMBER	DESCRIPTION	QTY.	CHANGE	SERIAL #	REMARKS
1	19000-24900	Cyl., Bucket	1			
2	19000-11199	Seal Kit	1			
3	X14100-63489	Packing, Piston	2			
4	X14105-40508	Packing, Rod	1			
5	X14111-00040	Seal, Dust	1			
6	X14112-63483	Ring, Backup	2			
7	X14211-20650	Ring, Backup G65	1			
8	X14201-10650	O-Ring 1B- G65	1			
9	X14200-10280	O-Ring	1			
10	14107-06316	Wear Ring	1			
11	19000-24901	Rod, Piston	1			
12	19000-00502	Bushing	2			
13	19000-11103	Cover, Rod	1			
14	19000-11150	Plate, Keep	1			
15	19000-11155	Holder, Gasket	1			
16	19000-11106	Piston	1			
17	19000-23607	Tube	1			
18	19000-11108	Holder, Rod Gasket	1			
19	19000-00509	Nut M27	1			
20	12100-00550	Cotter Pin 5X50	1			
21	13330-04030	Bushing	1			
22	12256-20050	Snap Ring	1			
23	12210-00058	Circlip 58	1			
24	15600-01900	Grease Nipple PT 1/8	2			
25	15111-00003	Adaptor 3/8	2			
26	19000-23618	Cover	1			
27	11000-51025	Bolt M10X25	2			

BLADE CYLINDER

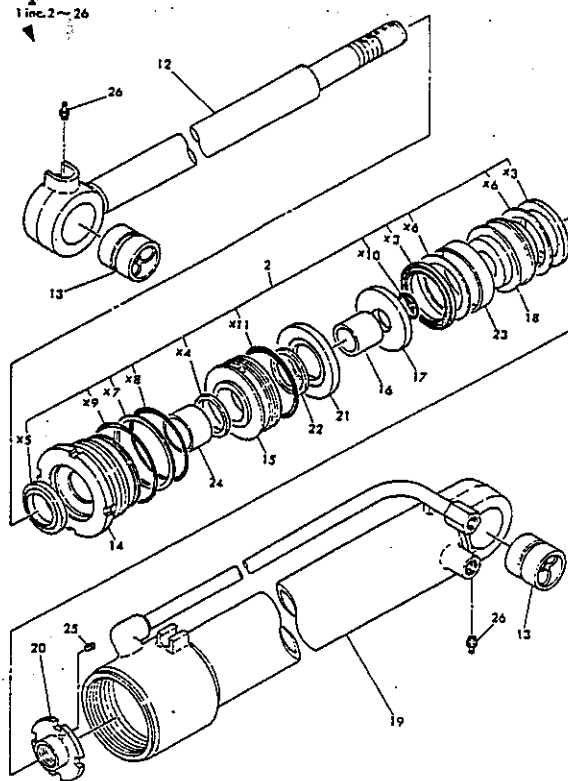
Figure 45



ITEM	PARTS NUMBER	DESCRIPTION	QTY.	CHANGE	SERIAL #	REMARKS
1	19000-15100	Cylinder, Blade	1			
2	19000-05099	Seal Kit	1			
3	X14100-80659	Seal, Oil	2			
4	X14105-45609	Seal, Oil	1			
5	X14111-00045	Seal, Dust	1			
6	X14112-80653	Ring, Backup	2			
7	X14211-30900	Ring, Backup	1			
8	X24350-00900	O-Ring 1B G90.0	1			
9	X24350-00350	O-Ring 1B G35.0	1			
10	14107-08020	Wear Ring	1			
11	19000-15101	Rod, Piston	1			
12	19000-00102	Bushing	2			
13	19000-05003	Tube, Cylinder	1			
14	19000-04950	Plate	1			
15	19000-04955	Holder, Packing	1			
16	19000-04906	Piston	1			
17	19000-15107	Pipe	1			
18	19000-02208	Holder, Packing	1			
19	19000-02209	Nut	1			
20	12100-00660	Cotter Pin 6X60	1			
21	13330-04530	Bushing	1			
22	12210-00063	Circlip 63	1			
23	22250-00600	Circlip 60	1			
24	15600-01000	Nipple, Grease	1			

SWING CYLINDER

Figure 46

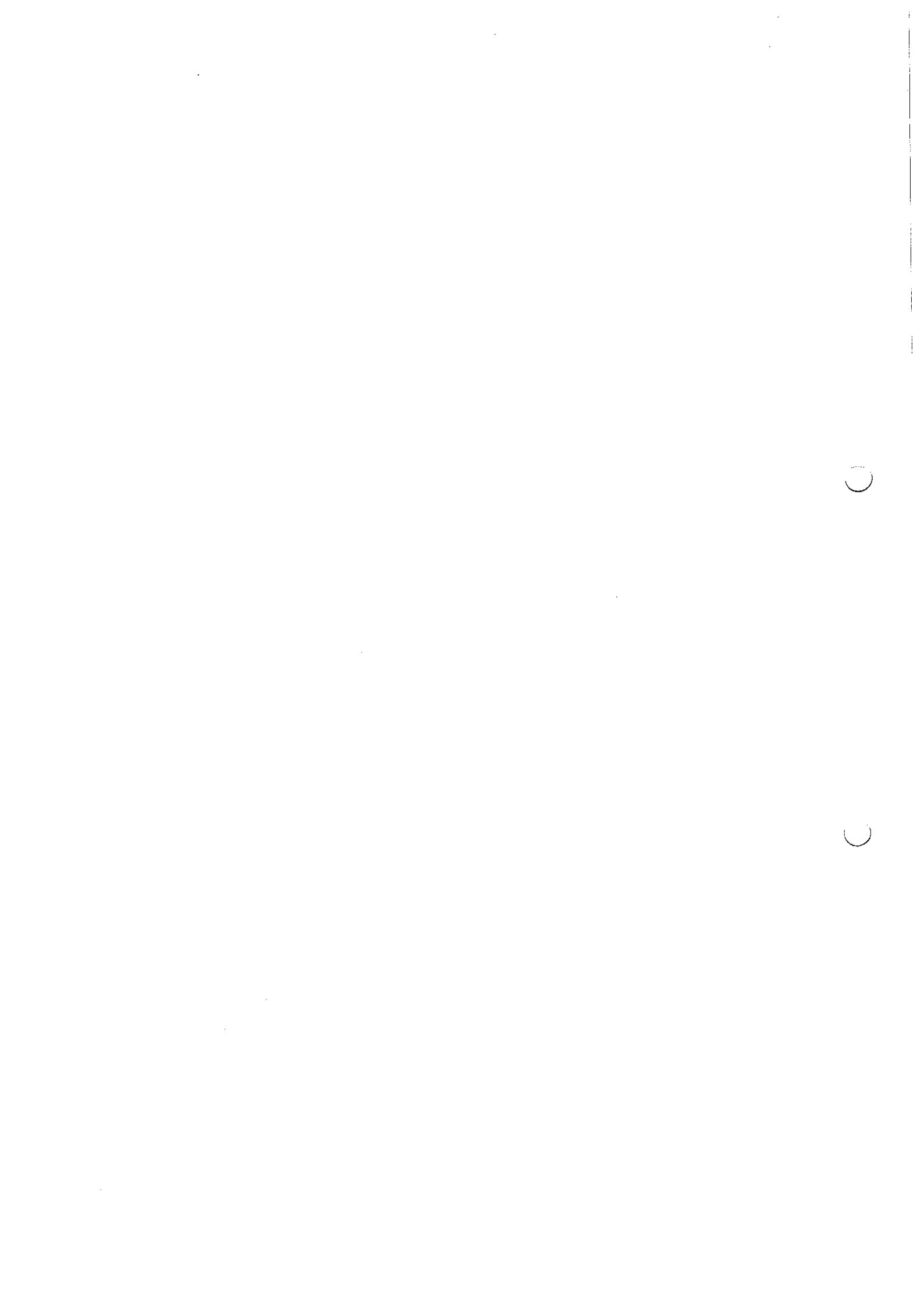


ITEM	PARTS NUMBER	DESCRIPTION	QTY.	CHANGE	SERIAL #	REMARKS
1	19000-30400	Cylinder Assy., Swing	1			
2	19000-30499	Seal Kit	1			
3	X14111-30750	Gasket, Piston	2			
4	X19000-15430	Gasket, Rod	1			
5	X19000-05613	Seal, Dust	1			
6	X14112-75622	Ring, Backup 75-62-2	2			
7	X14210-20750	Ring, Backup P75, T2	1			
8	X14200-10750	O-Ring P75 1B	1			
9	X14201-10850	O-Ring G85 1B	1			
10	X14200-10280	O-Ring P28 1B	1			
11	X14201-10800	O-Ring G80 1B	1			
12	19000-30401	Piston	1			
13	19000-20502	Bushing	2			
14	19000-30403	Cover, Rod	1			
15	19000-30404	Retainer	1			
16	19000-30405	Cushion	1			
17	19000-30450	Plate	1			
18	19000-30406	Piston	1			
19	19000-30407	Tube	1			
20	19000-30409	Nut	1			
21	19000-30415	Spacer	1			
22	19000-30416	Cushion Ring	1			
23	14107-07515	Wear Ring	1			
24	13330-04030	Bushing	1			
25	11210-50608	Set Screw	1			
26	15600-01000	Nipple, Grease	2			

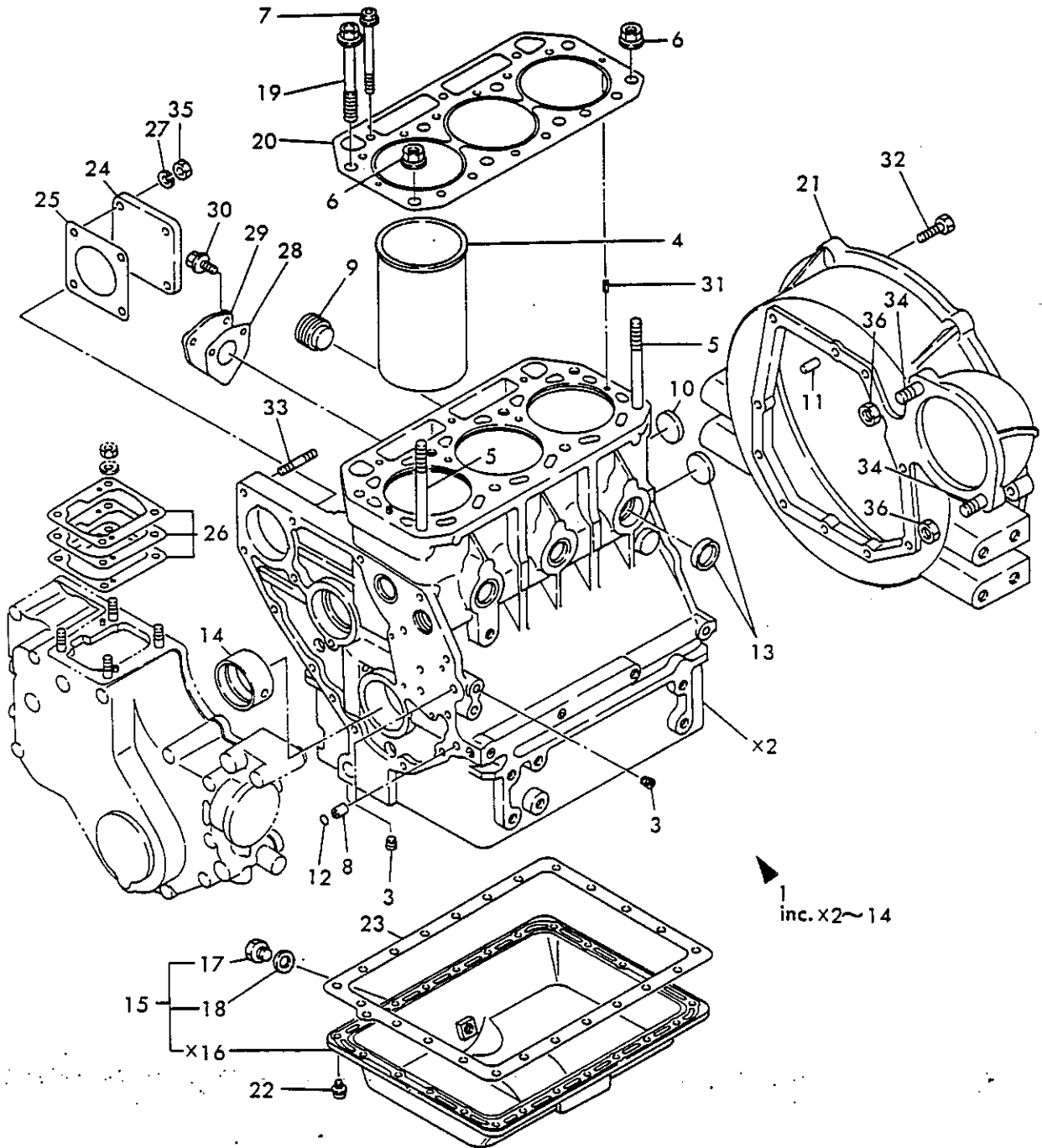
TB21

ENGINE PARTS CATALOG

TAKEUCHI MFG. Co., LTD.



CYLINDER BLOCK & MAIN BEARING

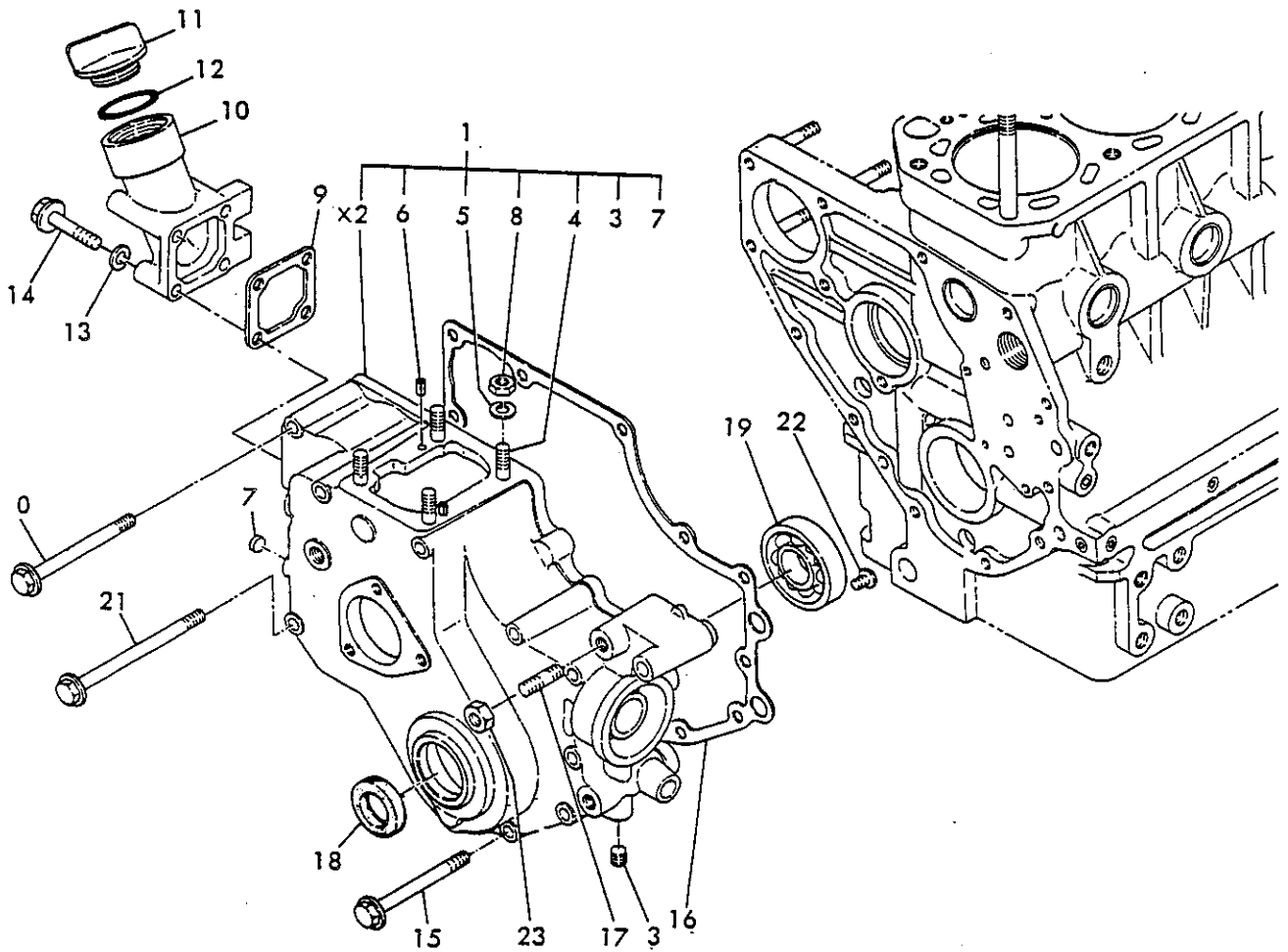


×印部品ハ単品販売致シマセン
 X-MARK PARTS : NOT SOLD SEPARATELY

CYLINDER BLOCK & MAIN BEARING (A)=3T75H-LTBS (D)=
 (B)= (E)=
 (C)= (F)=

REF.	LEV.	PART NO.	DESCRIPTION	QTY (A)(B)(C)(D)(E)(F)	I	P	U	A	R
1	.	721551-01561	シリンダブロックCMP	BLOCK ASSY, CYLINDER	1				
2	..	X 121551-01012	シリンダブロック	REFER TO 1	1				
3	..	124060-01050	プラグ	PLUG PT1/8	8				
4	..	121551-01100	ライナ(シリンダ)	LINER, CYLINDER	3				
5	..	121450-01210	ナット(ヘッド)	STUD, CYL. HEAD	2				
6	..	121450-01220	ナット(ヘッド)	NUT, CYL HEAD	2				
7	..	129350-01230	ナット(ヘッド)	STUD, CYL. HEAD	3				
8	..	124085-01900	Oリングガイド	GUIDE, O-RING	2				
9	..	171051-01921	メクラプラグ	PLUG	2				
10	..	121450-01990	プラグ30	PLUG 30	1				
11	..	22312-080200	平行ピン 8X20	PARALLEL PIN 8X20	2				
12	..	24311-000100	Oリング 1A P 10.0	O-RING 1A P-10.0	2				
13	..	27241-300000	プラグ30	PLUG 30	5				
14	..	*REF.61=5	メインベアリング	MAIN BEARING	1				
15	..	721551-01540	オイルパンCMP	SUMP ASSY, LUB OIL	1				
16	..	X 121551-01700	オイルパン	REFER TO 15	1				
17	..	104200-55080	プラグ	PLUG	1				
18	..	43400-500450	パッキング 12	PACKING	1				
19	..	121550-01200	ナット(ヘッド)	BOLT, CYL. HEAD	6				
20	..	121550-01331	ナット(ヘッド)	GASKET, CYL. HEAD	1				
21	..	121522-01600	マウンティングフランジ	FLANGE, MOUNTING	1				
22	..	121450-01710	ナット(オイルパン)	BOLT	23				
23	..	121575-01750	パッキング(オイルパン)	GASKET, OIL PAN	1				
24	..	124240-01871	メクラカバー(HO-P)	COVER	1				
25	..	124240-01882	パッキング(HO-P)	GASKET	1				
26	..	121450-01951	シムセット(チヨウエイシキ)	SHIM SET	1				
27	..	22217-080000	スプリングワッシャー 8	SPRING WASHER 8	4				
28	..	121520-01850	パッキング(ワイート)	GASKET	1				
29	..	121520-01860	メクラカバー	COVER	1				
30	..	26106-060142	ナット 6X 14	BOLT M 6X 14 PLATED	2				
31	..	22351-060012	スプリングピン 6.0AX 12	SPRING PIN 6X12	2				
32	..	26206-100252	ナット 10X 25	BOLT M10X 25 PLATED	8				
33	..	26216-080222	ナット 8X 22	STUD M 8X 22 PLATED	4				
34	..	26216-120252	ナット 12X 25	STUD M12X 25 PLATED	2				
35	..	26716-080002	ナット 8	NUT M 8	4				
36	..	26716-120002	ナット 12	NUT M12	2				

GEAR HOUSING



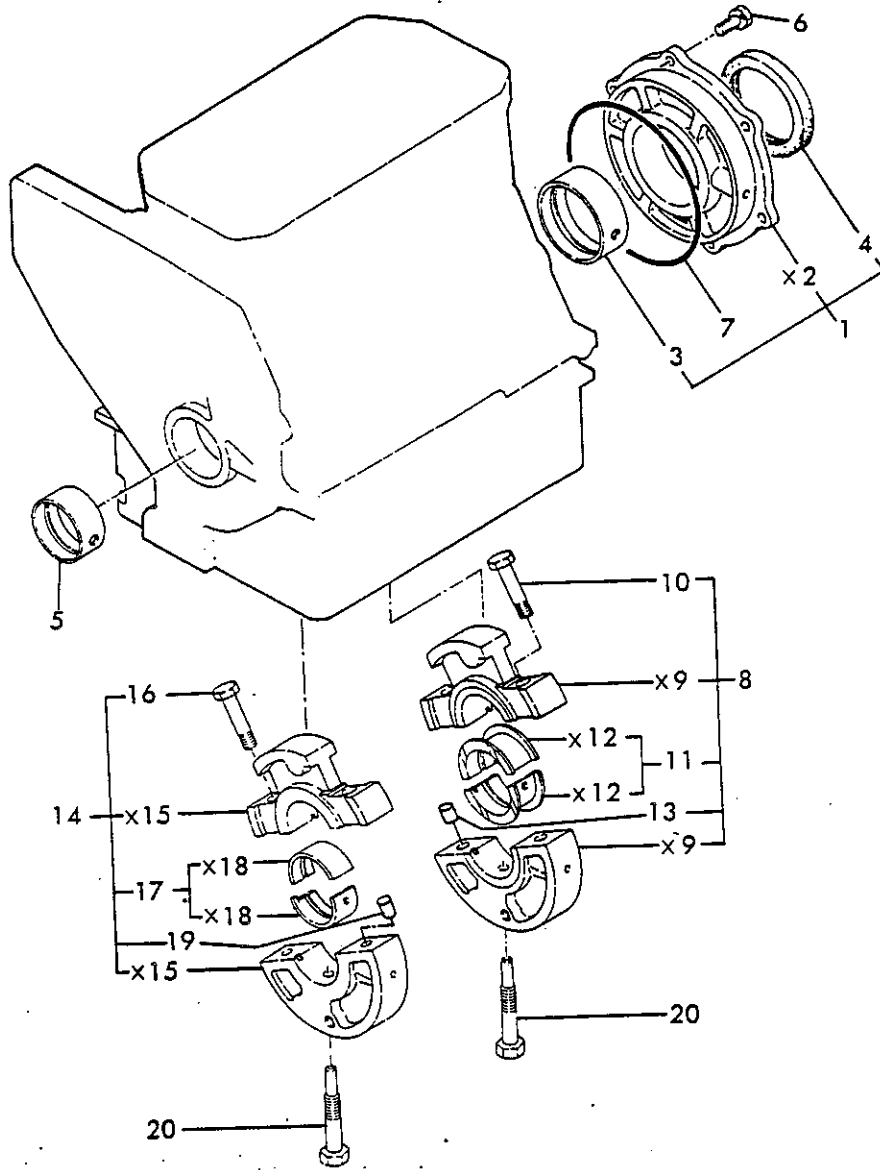
×印部品ハ単品販売致シマセン
X-MARK PARTS : NOT SOLD SEPARATELY

GEAR HOUSING

(A)=3T75H-LTBS (D)=
 (B)= (E)=
 (C)= (F)=

REF.	LEV.	PART NO.	DESCRIPTION	Q'TY (A) (B) (C) (D) (E) (F)					
				(A)	(B)	(C)	(D)	(E)	(F)
1	.	729335-01612	HOUSING ASSY, GEARS	1					
2	.. X	129301-01502	GEAR CASE ASSY.	1					
3	..	124060-01050	PLUG PT1/8	1					
4	..	121450-01560	STUD M 8X22	4					
5	..	22217-080000	SPRING WASHER 8	4					
6	..	22351-040010	SPRING PIN 4X10	2					
7	..	121085-01890	PLUG	1					
8	..	26716-080002	NUT M 8	4					
9	.	121450-01531	GASKET, COVER	1					
10	.	129327-01550	COVER, CYL BLOCK	1					
11	.	124160-01751	CAP, LUB.OIL SUPPLY	1					
12	.	121420-01760	O-RING	1					
13	.	22217-060000	SPRING WASHER 6	4					
14	.	26106-060402	BOLT M 6X 40 PLATED	2					
15	.	26106-080852	BOLT M 8X 85 PLATED	7					
16	.	121575-01510	GASKET, GEAR CASE	1					
17	.	121450-01570	STUD	1					
18	.	121450-01801	SEAL TC25 40 8, OIL	1					
19	.	24101-063050	BALL BEARING	1					
20	.	26106-080752	BOLT M 8X 75 PLATED	2					
21	.	26106-081152	BOLT M 8X115 PLATED	3					
22	.	26587-080102	SCREW M 8X 10	1					
23	.	26706-100002	NUT M10	1					

MAIN BEARING HOUSING



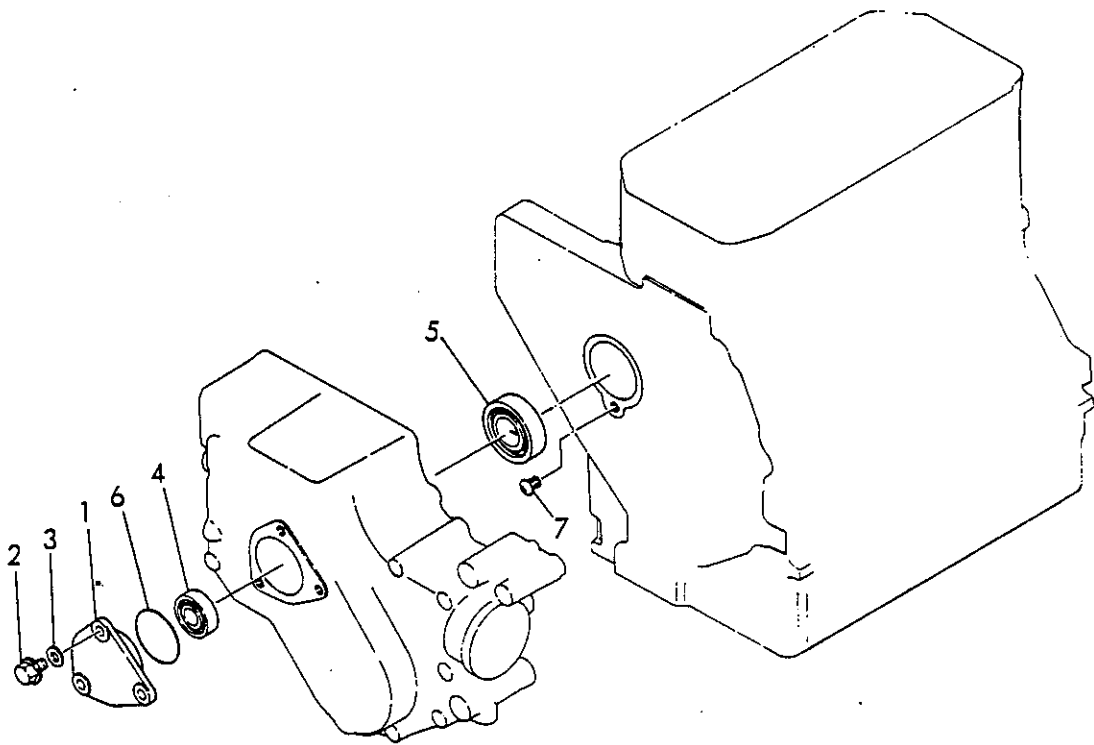
×印部品ハ単品販売致シマセン
×-MARK PARTS : NOT SOLD SEPARATELY

MAIN REARING HOUSING

(A)=3T75H-LTBS (D)=
 (B)= (E)=
 (C)= (F)=

REF.	LEV.	PART NO.	DESCRIPTION	QTY	P	U	A	R
				(A)(B)(C)(D)(E)(F)				
1	.	721550-02500	メタルハウジング COMP	1				
2	.. X	121550-02010	メタルハウジング	1				
3	..	121550-02110	メインベアリング	1				
4	..	121551-02220	オイルシール	1				
5	.	121520-02100	メインベアリング	1				
6	.	26013-080202	ボルト (M8) 8X 20	6				
7	.	24341-001350	O-RING 1A S135.0	1				
8	..	721550-02611	センターメタルハウジング ASSY. FW, '83	1				
9	.. X	121550-02021	センターメタルハウジング 1	1				
10	..	129350-02070	ボルト	2				
11	..	721550-02800	メインベアリング センター	1				
12	... X	121550-02120	メインベアリング センター	2				
13	..	129350-02050	パイプ	2				
14	..	721550-02621	センターメタルハウジング ASSY. OFW, '83	1				
15	.. X	121550-02031	センターメタルハウジング 2	1				
16	..	129350-02070	ボルト	2				
17	..	721550-02810	メインベアリング センター	1				
18	... X	121550-02130	メインベアリング 2.0	2				
19	..	129350-02050	パイプ	2				
20	.	121550-02300	センターボルト (センターメタルハウジング)	2				

CAMSHAFT BEARING

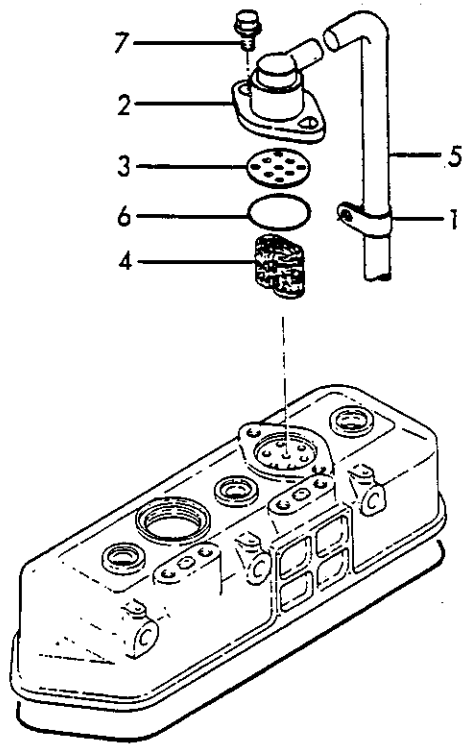


CAMSHAFT BEARING

(A)=3T75H-LTBS (D)=
 (B)= (E)=
 (C)= (F)=

REF.	LEV.	PART NO.	DESCRIPTION	QTY
1	.	129301-02801	HOUSING	1
2	.	121456-91981	BOLT M 8X 16	3
3	.	23414-080000	PACKING 8	3
4	.	24101-062024	BALL BEARING 6202	1
5	.	24101-062054	BALL BEARING 6205	1
6	.	24341-000460	O-RING 1A S-46.0	1
7	.	26587-080102	SCREW M 8X 10	1

BREATHER

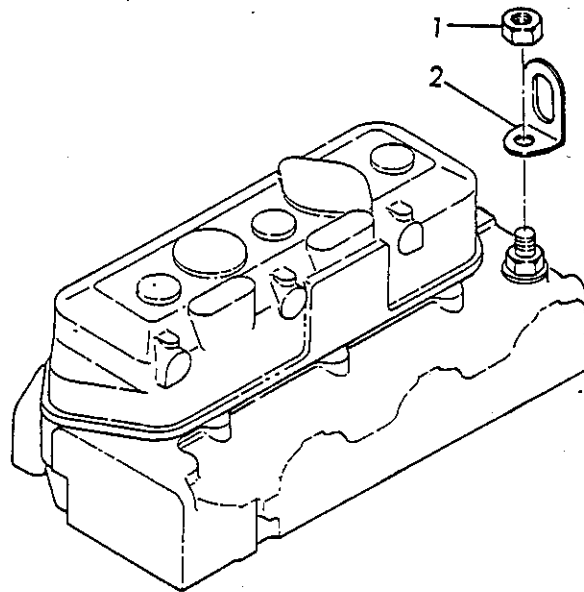


BREATHER

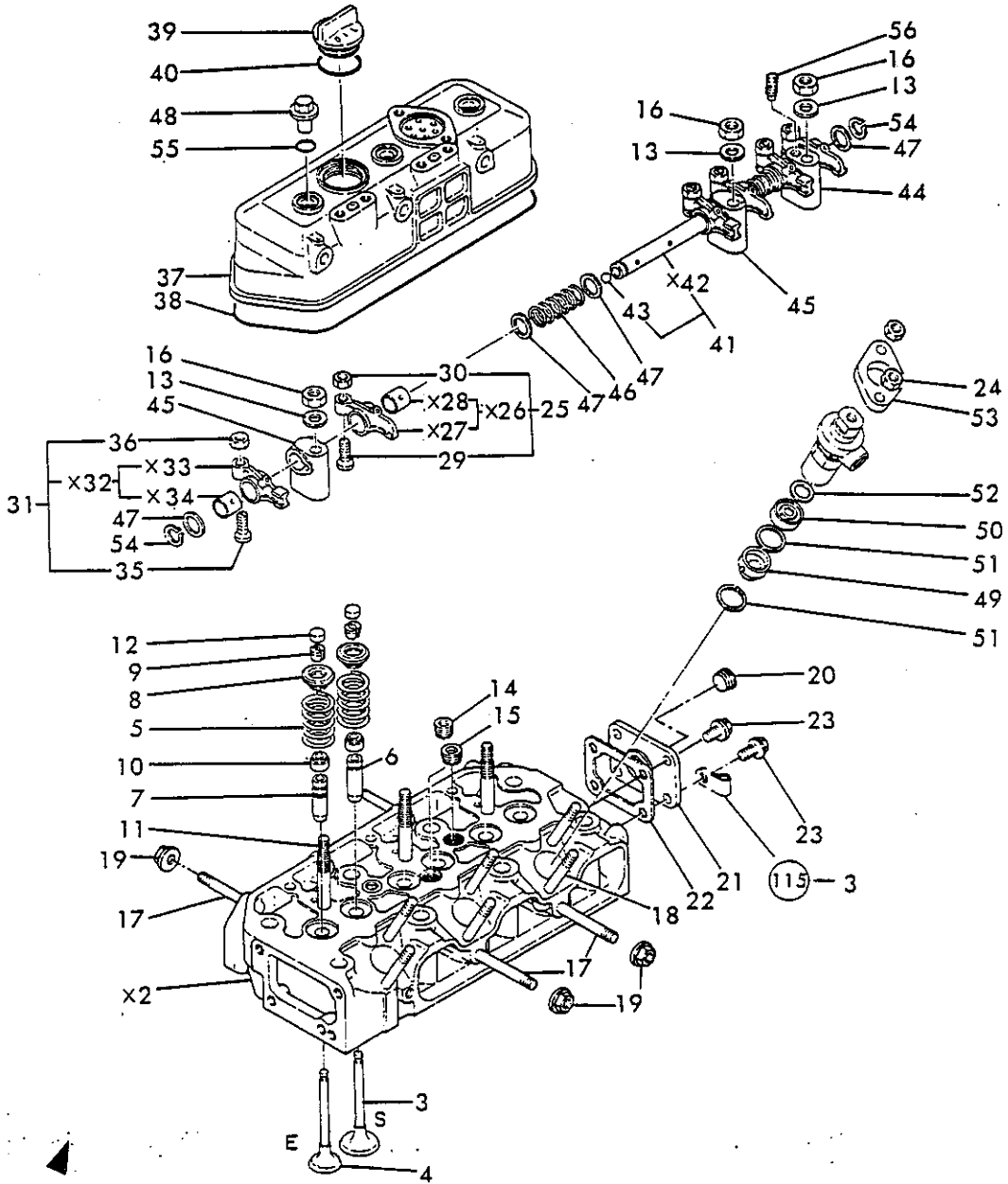
(A)=3T75H-LTBS (D)=
 (B)= (E)=
 (C)= (F)=

REF.	LEV.	PART NO.	DESCRIPTION	Q'TY (A) (B) (C) (D) (E) (F)
1	.	124160-01650	CLAMP	1
2	.	121450-03012	BODE, BREATHER	1
3	.	121450-03020	BODE, BREATHER	1
4	.	121450-03030	STEEL WOOLPD24W2BT18	1
5	.	23065-130650	PIPE 13X 650	1
6	.	24341-000400	O-RING 1A S-40.0	1
7	.	26106-080162	BOLT M 8X 16 PLATED	2

ENGINE LIFTER



CYLINDER HEAD



1 inc. X2~19

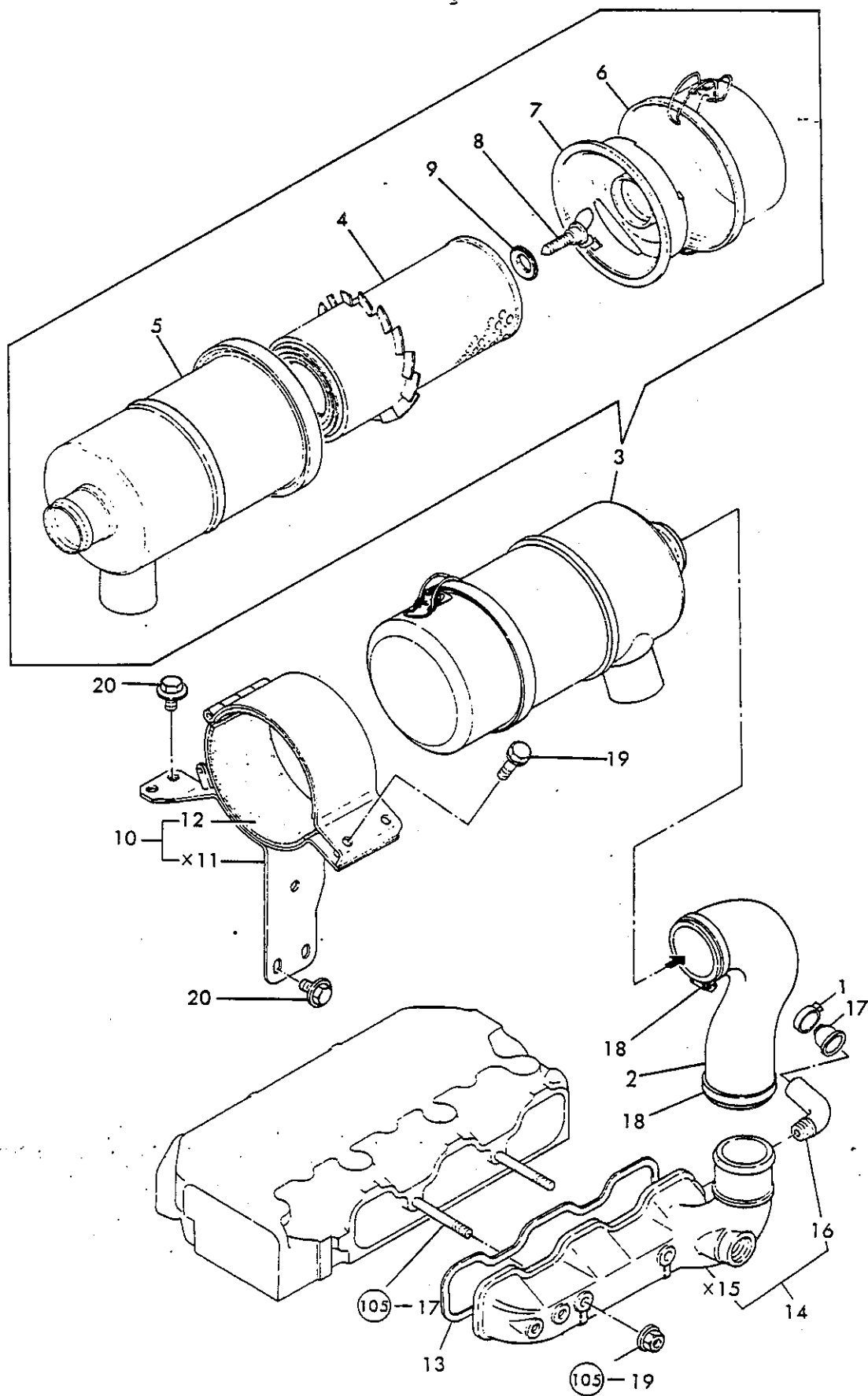
X印部品ハ単品販売致シマセン
X-MARK PARTS : NOT SOLD SEPARATELY

CYLINDER HEAD

(A)=3T75H-LTBS (D)=
 (B)= (E)=
 (C)= (F)=

ミタシ REF.	レベル LEV.	部品番号 PART NO.	部品名	DESCRIPTION	---Q'TY(コク)--- (A)(B)(C)(D)(E)(F)	I P/U A R
1	.	771056-11700	シリンダヘッドCMP	HEAD ASSY, CYLINDER	1	
2	.. X	121550-11011	シリンダヘッド	HEAD, CYLINDER	1	
3	..	104211-11100	キユクキヤン	VALVE, SUCTION	3	
4	..	104211-11110	ハイキヤン	VALVE, EXHAUST	3	
5	..	124060-11120	ハイルフスワプリング	SPRING, VALVE	6	
6	..	124060-11160	キユクキヤンアソタイ	GUIDE, VALVE	3	
7	..	128272-11170	ハイルフカイト	GUIDE, VALVE	3	
8	..	104200-11180	キユクハイキヤンハネオサエ	RETAINER, SPRING	6	
9	..	101158-11190	ヤンハネオサエトメ	COTTER	6	
10	..	124950-11340	ハイルフスワムシール	SEAL, VALVE STEM	6	
11	..	105225-11350	ウエコミホルト(サホート)	STUD	3	
12	..	104211-11370	キャップ(ヤン)	CAP	6	
13	..	22137-100000	ワッシャ(ミカキ 10)	WASHER 10	3	
14	..	23871-020000	ネジフクラグPT 1/4	PLUG PT 1/4	1	
15	..	23871-030000	ネジフクラグPT 3/8	PLUG PT 3/8	2	
16	..	26696-100002	トメナット(ホソ 10)	NUT M10	3	
17	..	26216-080652	ウエコミホルト 8X 65	STUD M 8X 65 PLATED	4	
18	..	26216-080702	ウエコミホルト 8X 70	STUD M 8X 70 PLATED	6	
19	..	26366-080002	ツハイツキナット 8	U-NUT M 8	4	
20	.	23873-030000	ネジフクラグPT 3/8	PLUG PT 3/8	1	
21	.	129301-11670	ソクワタ	COVER	1	
22	.	121450-11680	ハツキヤン(ヘッドソクワタ)	GASKET, COVER	1	
23	.	26106-080122	ツハホルト 8X 12	BOLT M 8X 12 PLATED	4	
24	.	121465-11950	ナット(フンシヤンオサエ)	NUT	6	
25	.	721450-11650	キユクキヤンアソタイ	ARM ASSY, ROCKER	3	
26	.. X	121450-11620	キユクキヤンアソタイ CMP	ARM ASSY, ROCKER	3	
27	.. X	121450-11700	キユクキヤンアソタイ	ARM, SUC. VALVE ROCKER	3	
28	.. X	124060-11220	フツツシ(ヤンアソタイ)	BUSH, ROCKER ARM	3	
29	..	101158-11230	アソタイヤスタ(ヤンアソタイ)	SCREW, VALVE	3	
30	..	26756-080002	トメナット 8	LOCK NUT M 8 PLATED	3	
31	.	721450-11660	ハイキヤンアソタイ	ARM ASSY, ROCKER	3	
32	.. X	121450-11640	ハイキヤンアソタイ CMP	ARM ASSY, ROCKER	3	
33	.. X	121450-11720	ハイキヤンアソタイ	ARM, EXH. VALVE ROCKER	3	
34	.. X	124060-11220	フツツシ(ヤンアソタイ)	BUSH, ROCKER ARM	3	
35	..	101158-11230	アソタイヤスタ(ヤンアソタイ)	SCREW, VALVE	3	
36	..	26756-080002	トメナット 8	LOCK NUT M 8 PLATED	3	
37	.	121520-11300	ボンネット	BONNET, CYL. HEAD	1	
38	.	121550-11310	PK(ボンネット)	GASKET, BONNET	1	
39	.	124160-01751	ワタ(ホソコウ)	CAP, LUB. OIL SUPPLY	1	
40	.	24311-000320	オリング 1A P 32.0	O-RING 1A P-32.0	1	
41	.	121550-11240	ヤンアソタイCMP	SHAFT, ROCKER ARM	1	
42	.. X	121550-11250	ヤンアソタイ	SHAFT, SUPPORT	1	
43	..	24190-110001	ボール 11/32	BALL 11/32	2	
44	.	121450-11260	サホートA(ヤンアソタイ)	SUPPORT, ROCKER ARM	1	
45	.	121450-11270	サホートB(ヤンアソタイ)	SUPPORT, ROCKER ARM	2	
46	.	121550-11280	ハネ(ヤンアソタイ)	SPRING	2	
47	.	121550-11290	ワッシャ(ヤンアソタイ)	WASHER	6	
48	.	124160-11360	ナット, キャップ	NUT, CAP	3	
49	.	121550-11400	チャンヤンハ(F)	CHAMBER, FRONT	3	
50	.	121550-11411	チャンヤンハ(R)	CHAMBER, REAR	3	
51	.	121550-11451	チャンハ-PK D29/23.5	GASKET, CHAMBER	6	
52	.	103854-11490	チャンヤンハ-タコネツサ	INSULATOR	3	
53	.	101147-11900	ネリヨウハネオサエ	FLANGE	3	
54	.	22242-000140	トメワッシャ 14	CIRCLIP 14	2	
55	.	24311-000120	オリング P-12	O-RING 1A P-12.0	3	
56	..	26921-080102	トメネジ(ホソ 8X10)	SCREW M 8X10	1	

AIR CLEANER



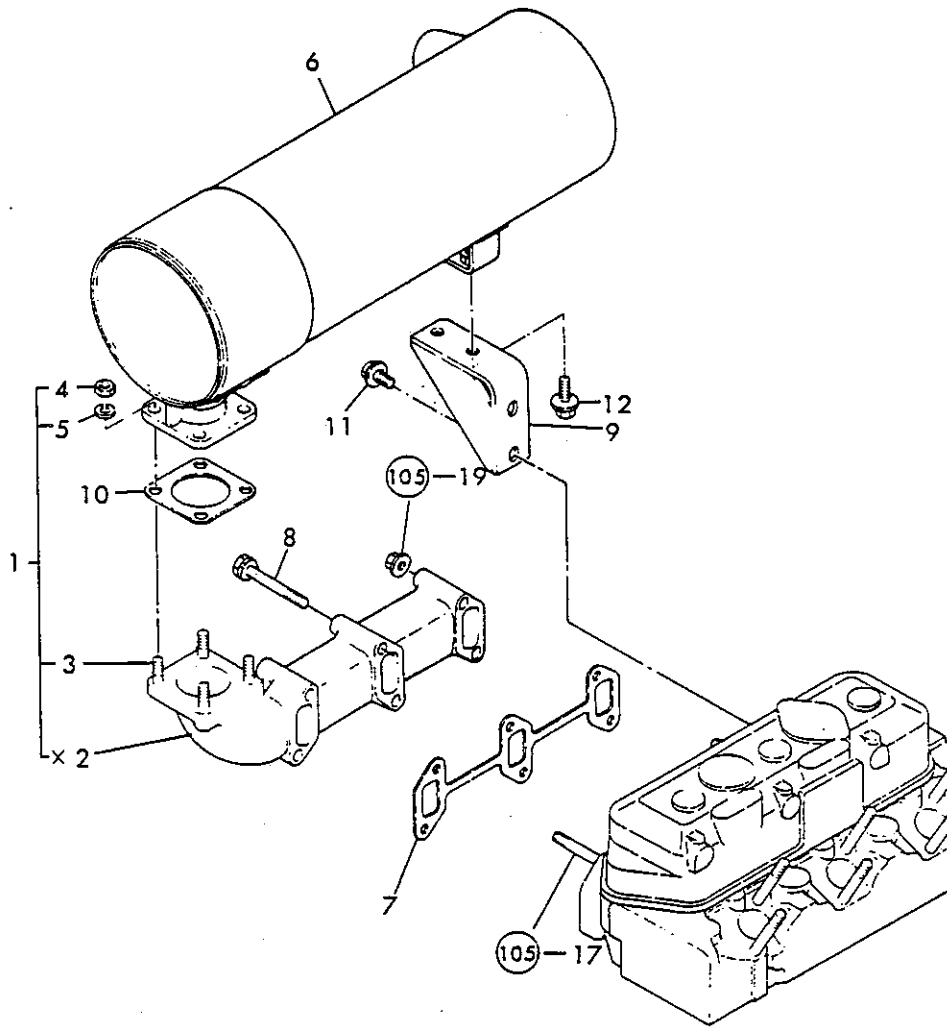
X 印部品ハ単品販売致シマセン
 X-MARK PARTS : NOT SOLD SEPARATELY

AIR CLEANER

(A)=3T75H-LTBS (D)=
 (B)= (E)=
 (C)= (F)=

REF.	LEV.	PART NO.	DESCRIPTION	Q'ITY (COSU) ---- I P/U A R						
				(A)	(B)	(C)	(D)	(E)	(F)	
1	.	171008-03990	ホースクリップ (フレスパイプ)	CLAMP 25	1					
2	.	121505-12210	エアホース	PIPE, AIR INTAKE	1					
3	.	129350-12500	エアクリーナ	CLEANER, AIR	1					
4	..	124756-12510	12475612511	ELEMENT, AIR CLEANER	1					
5	..	129350-12520	ケース ASSY	BODY, AIR CLEANER	1					
6	..	129350-12530	ダストハロン ASSY	PAN, ASSY, DUST	1					
7	..	129350-12540	バツフル ASSY	BAFFLE	1					
8	..	121120-12560	ウイングナット	WING BOLT	1					
9	..	121120-12570	シールワッシャ	WASHER	1					
10	.	121505-12580	エアクリーナサポート シクミ	BRACKET ASSY.	1					
11	.. X	121505-12560	サポート (エアクリーナ)	SUPPORT, CLEANER	1					
12	..	121023-12570	パッド (サポート)	PAD	4					
13	.	121551-12710	マニホールド ハツキン	GASKET	1					
14	.	121500-12730	キユキマニホールド (OMP)	MANIFOLD, AIR INTAKE	1					
15	.. X	121500-12702	キユキマニホールド	MANIFOLD, AIR INTAKE	1					
16	..	121500-12790	カンクキチ PT1/4	JOINT	1					
17	.	171061-12740	キャップ (フレスパイプ)	CAP	1					
18	.	23000-060000	ホースクリップ 60	CLAMP 60	2					
19	.	26013-080352	ボルト (ハネ 8X 35)	BOLT M 8X 35	2					
20	.	26106-080162	ツハボルト 8X 16	BOLT M 8X 16 PLATED	4					

EXHAUST SILENCER



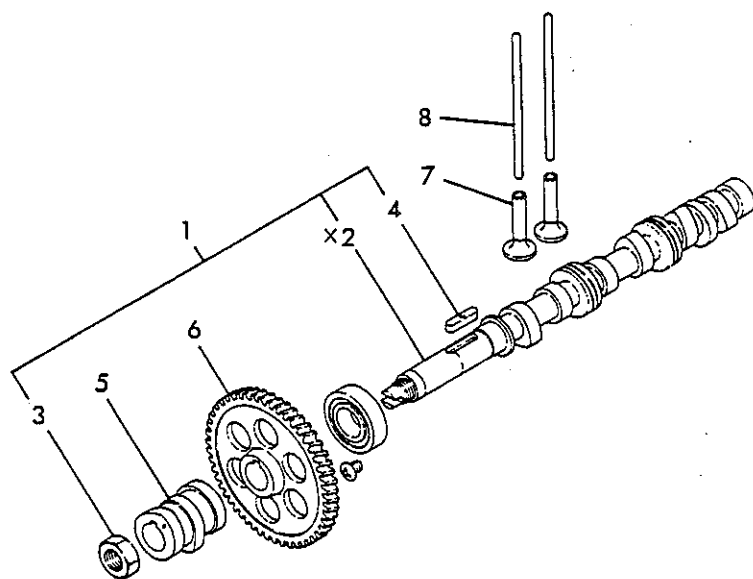
X 印部品ハ单品販売致シマセン
X-MARK PARTS : NOT SOLD SEPARATELY

EXHAUST SILENCER

(A)=3T75H-LTBS (D)=
 (B)= (E)=
 (C)= (F)=

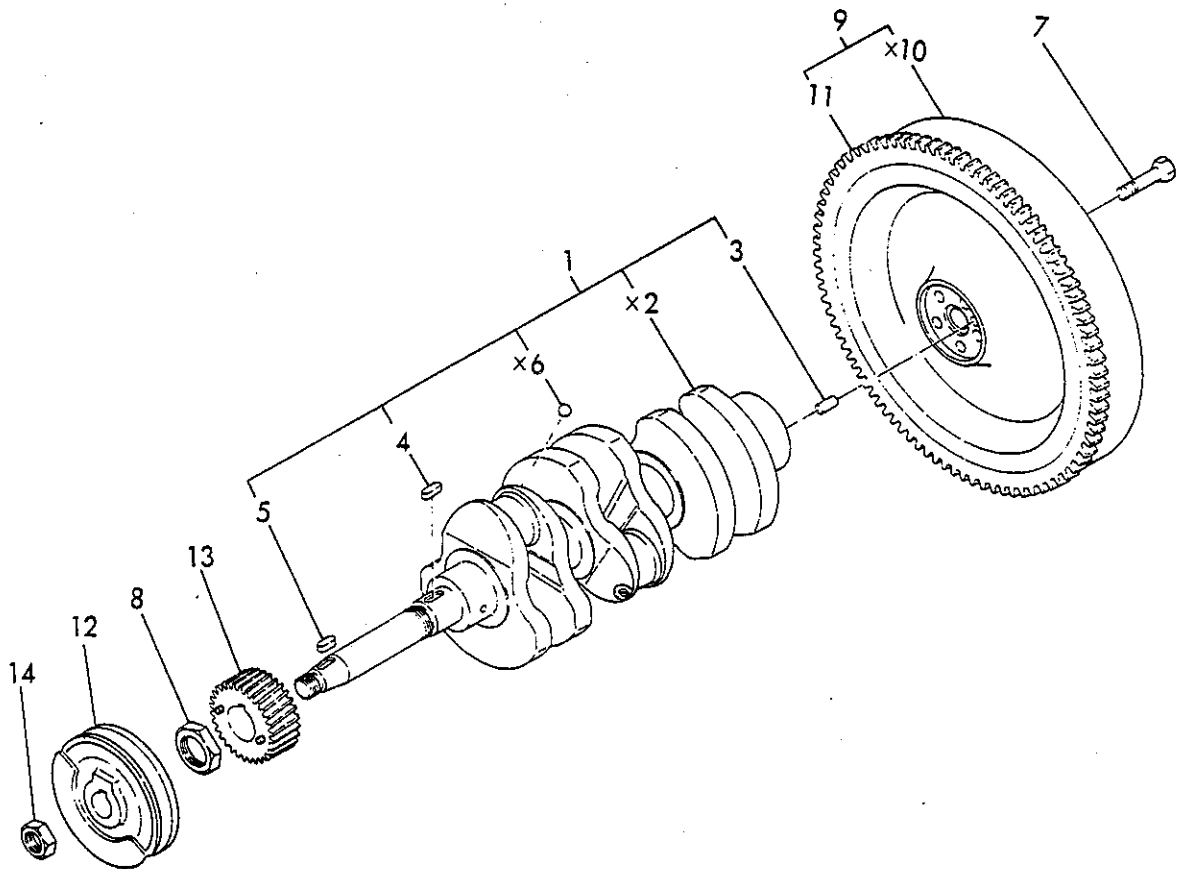
REF.	LEV.	PART NO.	DESCRIPTION	Q'TY (A)(B)(C)(D)(E)(F)	I P/U A R
1	.	721527-13500	MANIFOLD ASSY, EXH.	1	
2	.. X	121527-13510	MANIFOLD, EXH.	1	
3	..	26216-080222	STUD M 8X 22 PLATED	4	
4	..	26716-080002	NUT M 8	4	
5	..	22217-080000	SPRING WASHER 8	4	
6	.	171067-13510	SILENCER	1	
7	.	121550-13520	GASKET	1	
8	.	121465-13582	BOLT 8X58	4	
9	.	129327-13650	STAY	1	
10	.	124450-11900	GASKET	1	
11	.	26106-080142	BOLT M 8X 14 PLATED	2	
12	.	26106-080182	BOLT M 8X 18 PLATED	2	

CAMSHAFT



×印部品ハ単品販売致シマセン
×MARK PARTS : NOT SOLD SEPARATELY.

CRANKSHAFT



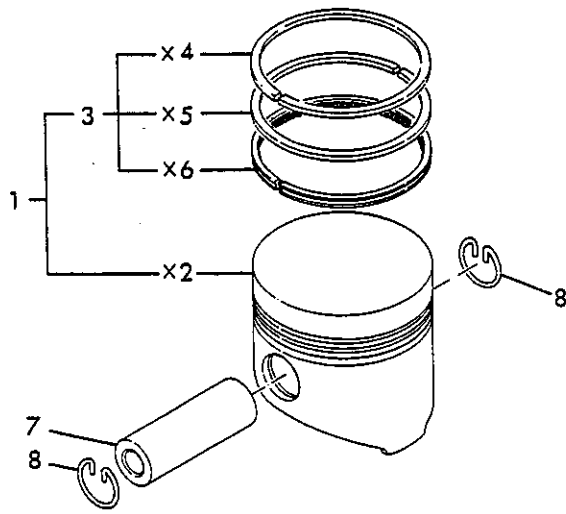
×印部品ハ単品販売致シマセン
×MARK PARTS : NOT SOLD SEPARATELY

CRANKSHAFT

(A)=3T75H-LTBS (D)=
 (B)= (E)=
 (C)= (F)=

REF.	LEV.	PART NO.	DESCRIPTION	Q'TY (A)(B)(C)(D)(E)(F)	I	P	U	A	R
1	.	721500-21700	クランクシャフトCMP	CRANKSHAFT ASSY	1				
2	..	X 121500-21010	クランクシャフト	CRANKSHAFT	1				
3	..	22312-080160	パライピ 8X16	PARALLEL PIN 8X16	1				
4	..	22512-070180	フエツキ 7X18	KEY 7X 18	1				
5	..	22512-070180	フエツキ 7X18	KEY 7X 18	1				
6	..	X 24190-080001	コウキウ 1/4	BALL 1/4	3				
7	.	105225-21501	ボルト(フライホイ)	BOLT, FLYWHEEL	5				
8	.	121450-21541	ナツ(クランクシャフトキ)	NUT, CRANK SHAFT GEAR	1				
9	.	121522-21591	フライホイCMP	FLYWHEEL W/RING GEAR	1				
10	..	X 121522-21401	フライホイ	FLYWHEEL	1				
11	..	104211-21600	リングキ	GEAR, RING	1				
12	.	121522-21651	Vフーリ	V-PULLEY	1				
13	.	129350-21200	クランクキ	GEAR, CRANK	1				
14	.	26776-180002	トメナツ(ボツ 18)	LOCK NUT M18 PLATED	1				

PISTON



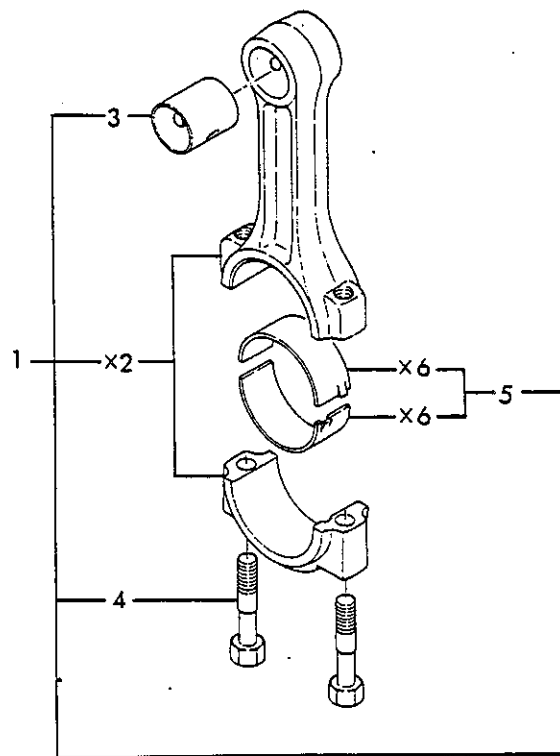
×印部品ハ単品販売致シマセン
×-MARK PARTS : NOT SOLD SEPARATELY

PISTON

(A)=3T75H-LTBS (D)=
 (B)= (E)=
 (C)= (F)=

ミタツ REF.	レベル LEV.	7*ヒシハツキ PART NO.	7*ヒシ メ	DESCRIPTION	----Q'TY(コダ)---- (A)(B)(C)(D)(E)(F)	I P/U A R
1	.	121550-22090	ピ*ストン CMP	PISTON W/RINGS	3	
2	.. X	121550-22020	ピ*ストン		3	
3	..	705311-22500	ピ*ストンリツク*SET	RING SET	3	
4	... X	104200-22110	ピ*ストンリツク* 1	RING 1 COMPRESSION	3	
5	... X	104200-22100	ピ*ストンリツク* 2	RING 2 COMPRESSION	3	
6	... X	105311-22200	オイルリツク*	RING,OIL CONTROL	3	
7	.	104200-22300	ピ*ストンヒ*ツ	PIN, PISTON	3	
8	.	172100-22400	ピ*ストンヒ*ツ トメワ	CIRCLIP	6	

CONNECTING ROD



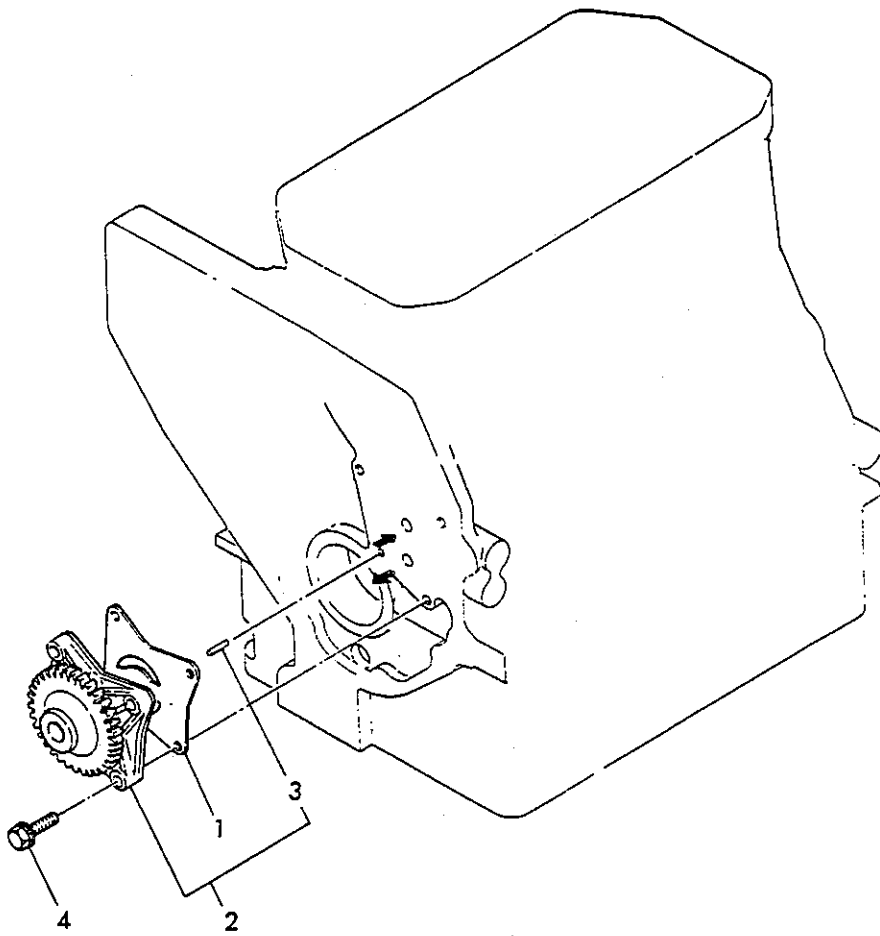
×印部品ハ単品販売致シマセン
×-MARK PARTS : NOT SOLD SEPARATELY

CONNECTING ROD

(A)=3T75H-LTBS (D)=
 (B)= (E)=
 (C)= (F)=

REF.	LEV.	PART NO.	DESCRIPTION	QTY	I	P	U	A	R
				(A)(B)(C)(D)(E)(F)					
1	.	721550-23100	ROD ASSY, CONNECTING	3					
2	.. X	121550-23010	ROD, CONNECTING	3					
3	..	124060-23100	BUSH, PISTON PIN	3					
4	..	121550-23200	BOLT, ROD	6					
5	..	721550-23600	BEARING PIN	3					
6	... X	121550-23300	BEARING PIN	6					

LUBRICATING OIL PUMP

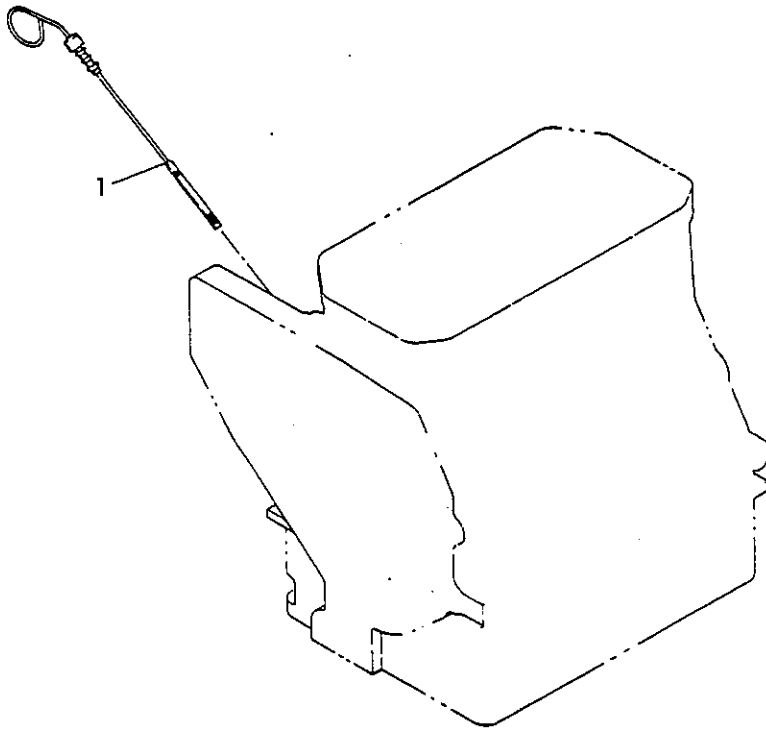


LUBRICATING OIL PUMP

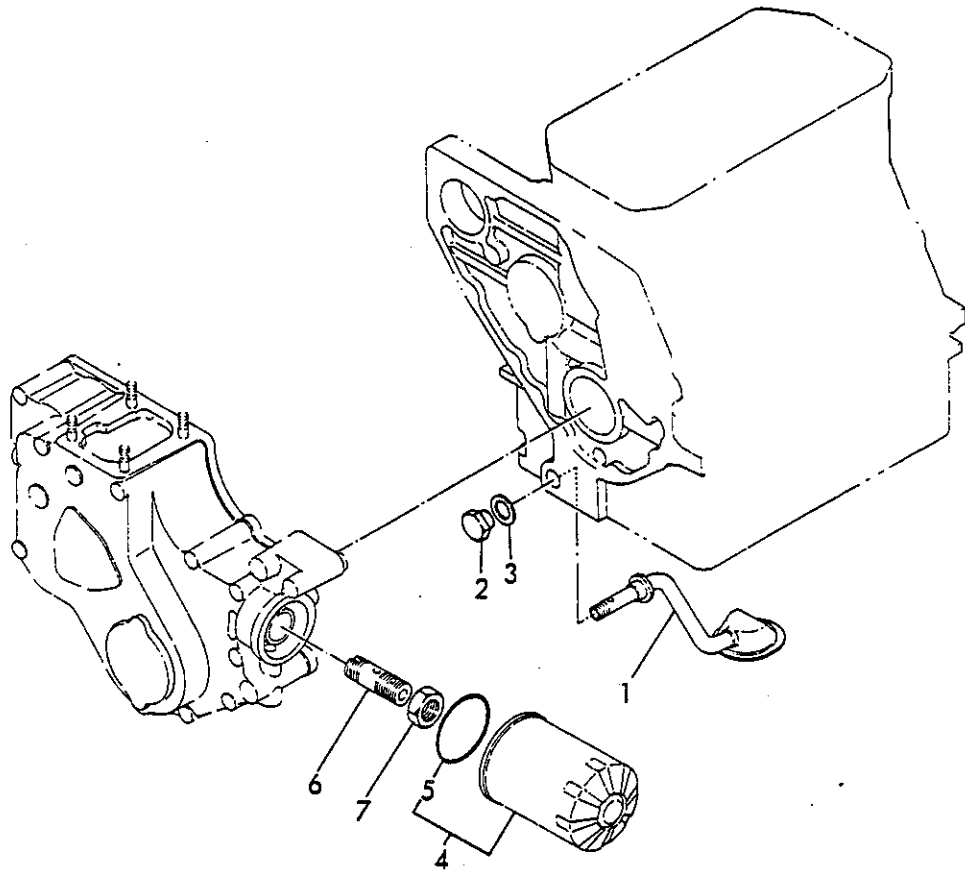
(A)=3T75H-LTBS (D)=
 (B)= (E)=
 (C)= (F)=

REF.	LEV.	PART NO.	DESCRIPTION	Q'TY	I	P	U	A	R
				(A)(B)(C)(D)(E)(F)					
1	.	121450-32021	GASKET	1					
2	.	129350-32090	PUMP ASSY, LUB OIL	1					
3	..	121450-32050	PIN	1					
4	.	26013-060222	BOLT M 6X 22	3					

DIPSTICK



LUB. OIL FILTER

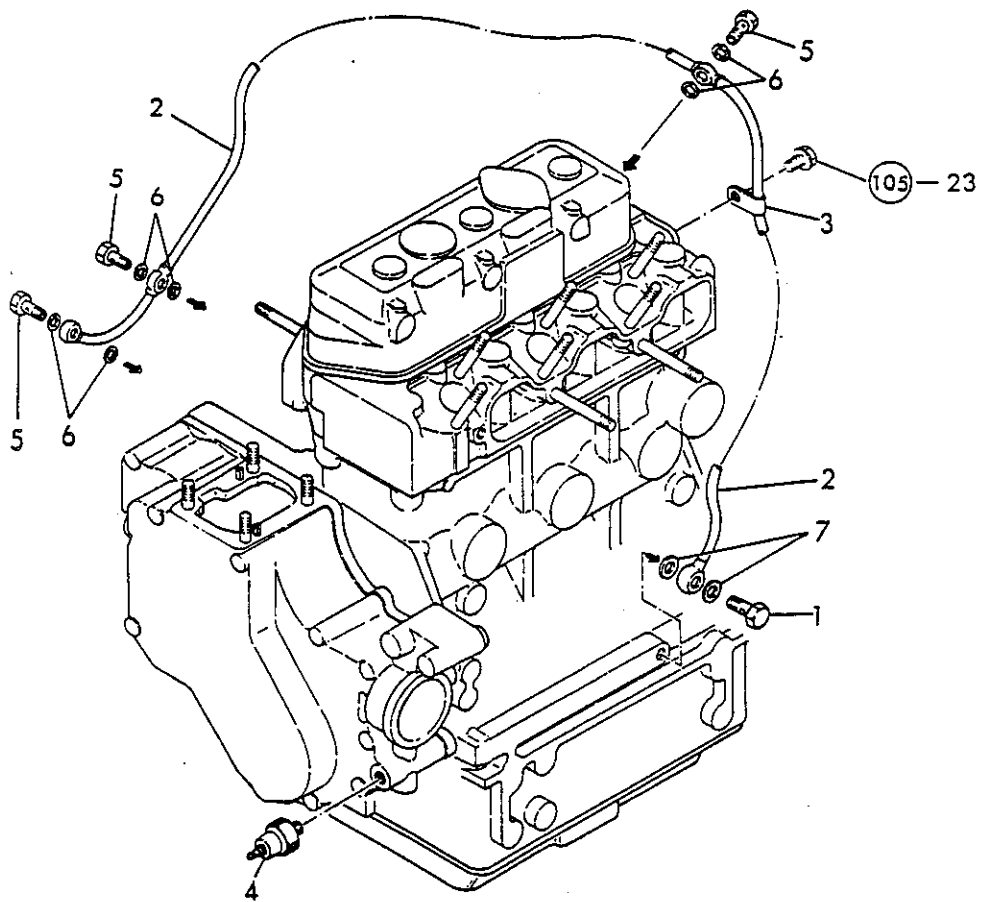


LUB-OIL STRAINER

(A)=3T75H-LTBS (D)=
 (B)= (E)=
 (C)= (F)=

REF.	LEV.	PART NO.	DESCRIPTION	Q'TY (A)(B)(C)(D)(E)(F)	I P/U A R
1	.	121520-35090	PIPE, OIL INLET	1	
2	.	121550-35100	CAP NUT	1	
3	.	121550-35110	GASKET 18	1	
4	.	124550-35110	ELEMENT, LUB OIL	1	
5	..	124450-35110	O-RING	1	
6	.	124085-35300	VALVE ASSY, CONTROL	1	
7	.	124085-35350	LOCK NUT M20	1	

LUB. OIL PIPE

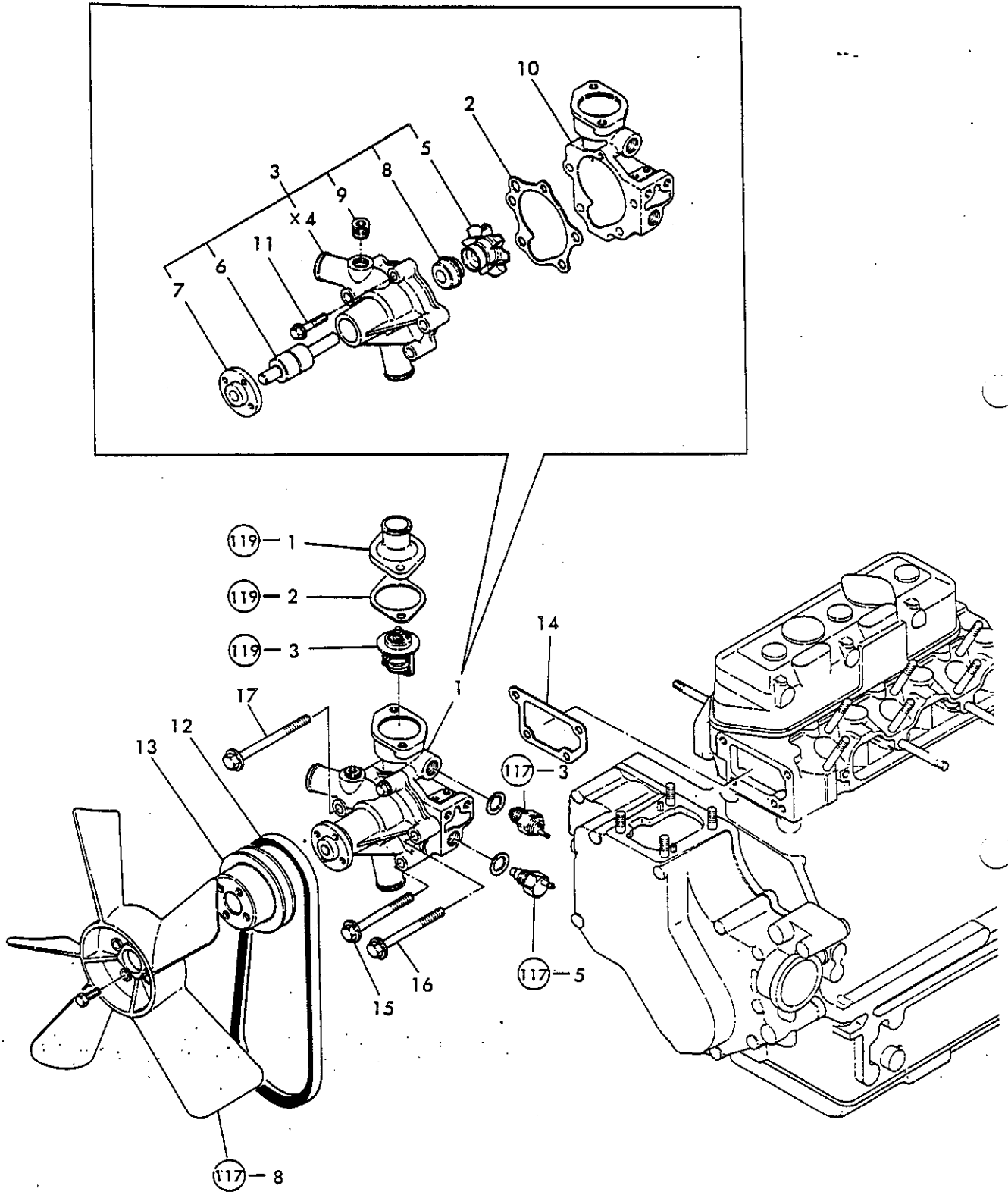


LUB.OIL LINES

(A)=3T75H-LTBS (D)=
 (B)= (E)=
 (C)= (F)=

ミタツ REF.	レベル LEV.	パーツ/ライン PART NO.	パーツ メイ	DESCRIPTION	----Q'TY(コダ)---- I P/U A R					
					(A)	(B)	(C)	(D)	(E)	(F)
1	.	124160-39140	カンツキツボルト	BOLT, PIPE JOINT	1					
2	.	121550-39200	LOカン	PIPE, LUB OIL	1					
3	.	124450-39240	クランフ*	RETAINER, PIPE	1					
4	.	124160-39450	エアツスイツチ 0.5KG キツボルト	SENDER, OIL PRESSURE	1					
5	.	124550-59820	カンツキツボルト 8	BOLT 8, PIPE JOINT	3					
6	.	23414-080000	パツキン(マル 8	PACKING 8	6					
7	.	23414-100000	パツキン(マル 10	PACKING -10	2					

COOLING WATER PUMP



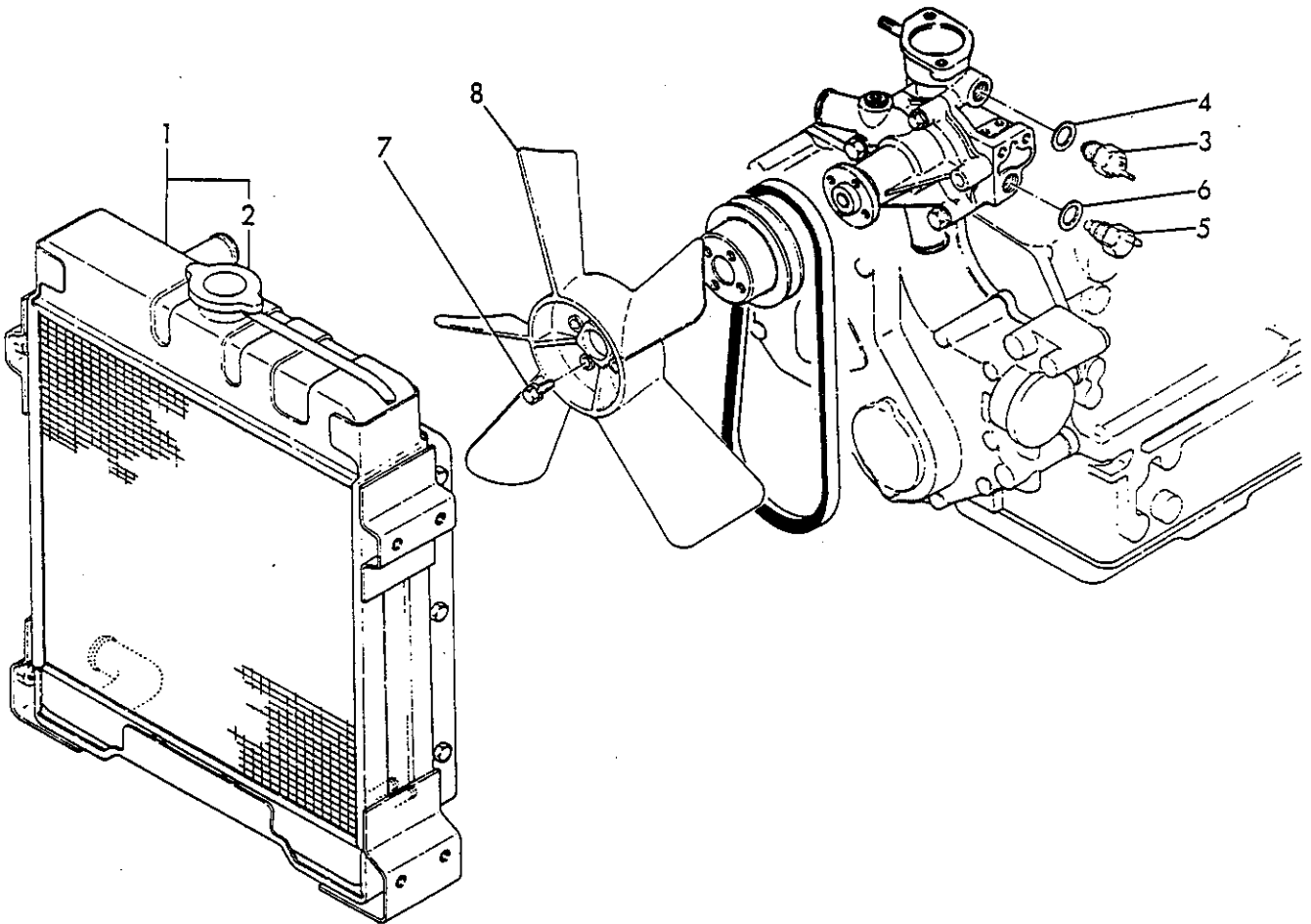
×印部品ハ単品販売致シマセン
 ×MARK PARTS : NOT SOLD SEPARATELY

COOLING WATER PUMP

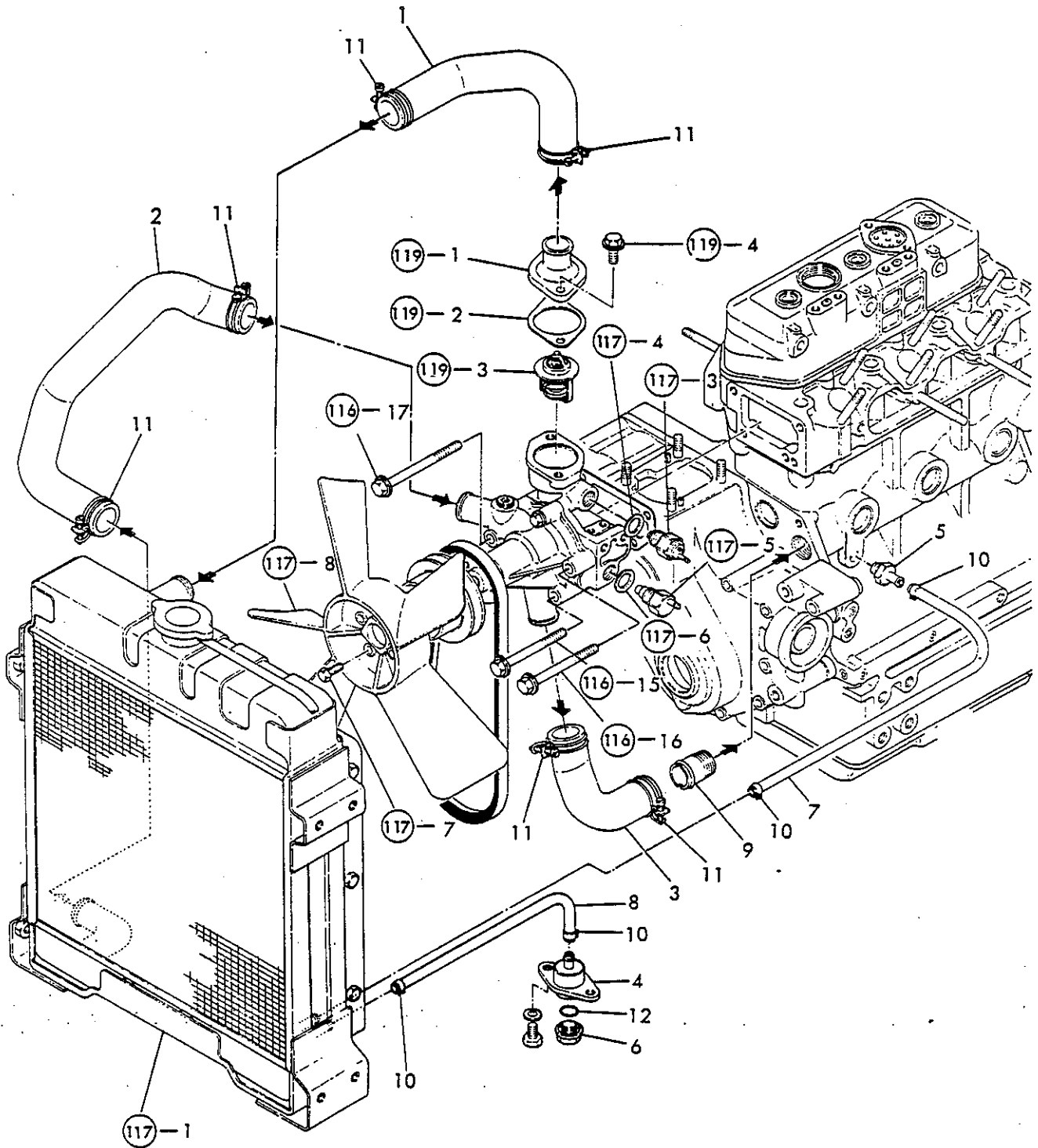
(A)=3T75H-LTBS (D)=
 (B)= (E)=
 (C)= (F)=

REF.	LEV.	PART NO.	DESCRIPTION	QTY	I	P	U	A	R
				(A)(B)(C)(D)(E)(F)					
1	.	121000-42010	CW-P CMP PUMP ASSY, C. WATER	1					
2	..	121000-42051	CWポンパ*PK GASKET	1					
3	..	121000-42100	CWポンパ*COMP PUMP ASSY, C. WATER	1					
4	... X	121000-42030	ポンパ (CWポンパ*) BODY, PUMP	1					
5	...	129350-42200	インペラ IMPELLER	1					
6	...	121450-42240	インペラ シャフト (V7*ポンパ*) SHAFT, IMPELLER	1					
7	...	121450-42260	V7*ポンパ* フランス FLANGE, V-PULLEY	1					
8	...	121450-42310	メカニカル シール SEAL, MECHANICAL	1					
9	...	23873-030000	プラグ PT 3/8 PLUG PT 3/8	1					
10	..	121000-42120	CWポンパ*リブツグタイ BRACKET, C.W. PUMP	1					
11	..	26106-060322	ツハ*ボルト 6X 32 BOLT M 6X 32 PLATED	1					
12	.	124001-42290	V*ベルト36インチ (V7*ポンパ*) V-BELT (A-36)	1					
13	.	121450-42350	V7*ポンパ* (CWポンパ*) V-PULLEY, C.W. PUMP	1					
14	.	121450-44410	ポンパ* (CW-P*リブツグタイ) GASKET, BRACKET	1					
15	.	26106-080822	ツハ*ボルト 8X 82 BOLT M 8X 82 PLATED	2					
16	.	26106-080872	ツハ*ボルト 8X 87 BOLT M 8X 87 PLATED	1					
17	.	26106-081052	ツハ*ボルト 8X105 BOLT M 8X105 PLATED	1					

RADIATOR



COOLING WATER PIPE

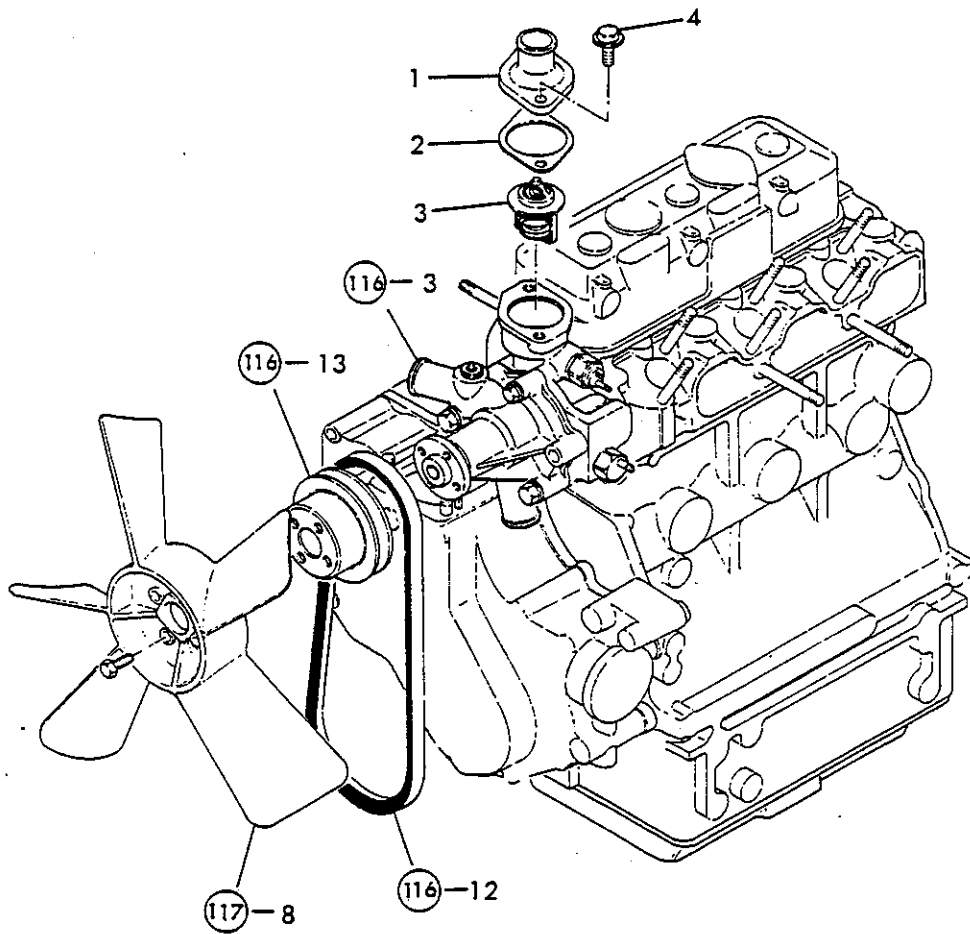


COOLING WATER LINES

(A)=3T75H-LTBS (D)=
 (B)= (E)=
 (C)= (F)=

REF.	LEV.	PART NO.	DESCRIPTION	Q'TY (A) (B) (C) (D) (E) (F)					
				I	P	U	A	R	
1	.	121521-49010	PIPE (A), C. WATER	1					
2	.	121521-49020	PIPE, COOLING WATER	1					
3	.	121500-49030	PIPE (C), C. WATER	1					
4	.	121521-49100	BODY, COCK	1					
5	.	121550-49111	JOINT PT1/4	1					
6	.	121250-49121	PLUG	1					
7	.	124722-49150	HOSE(A), WATER DRAIN	1					
8	.	121737-49160	PIPE (B), W. DRAIN	1					
9	.	124160-49480	JOINT, PIPE	1					
10	.	124766-59050	CLAMP 12	4					
11	.	23010-038000	CLAMP 38	6					
12	.	24311-000160	O-RING 1A P-16.0	1					

THERMOSTAT

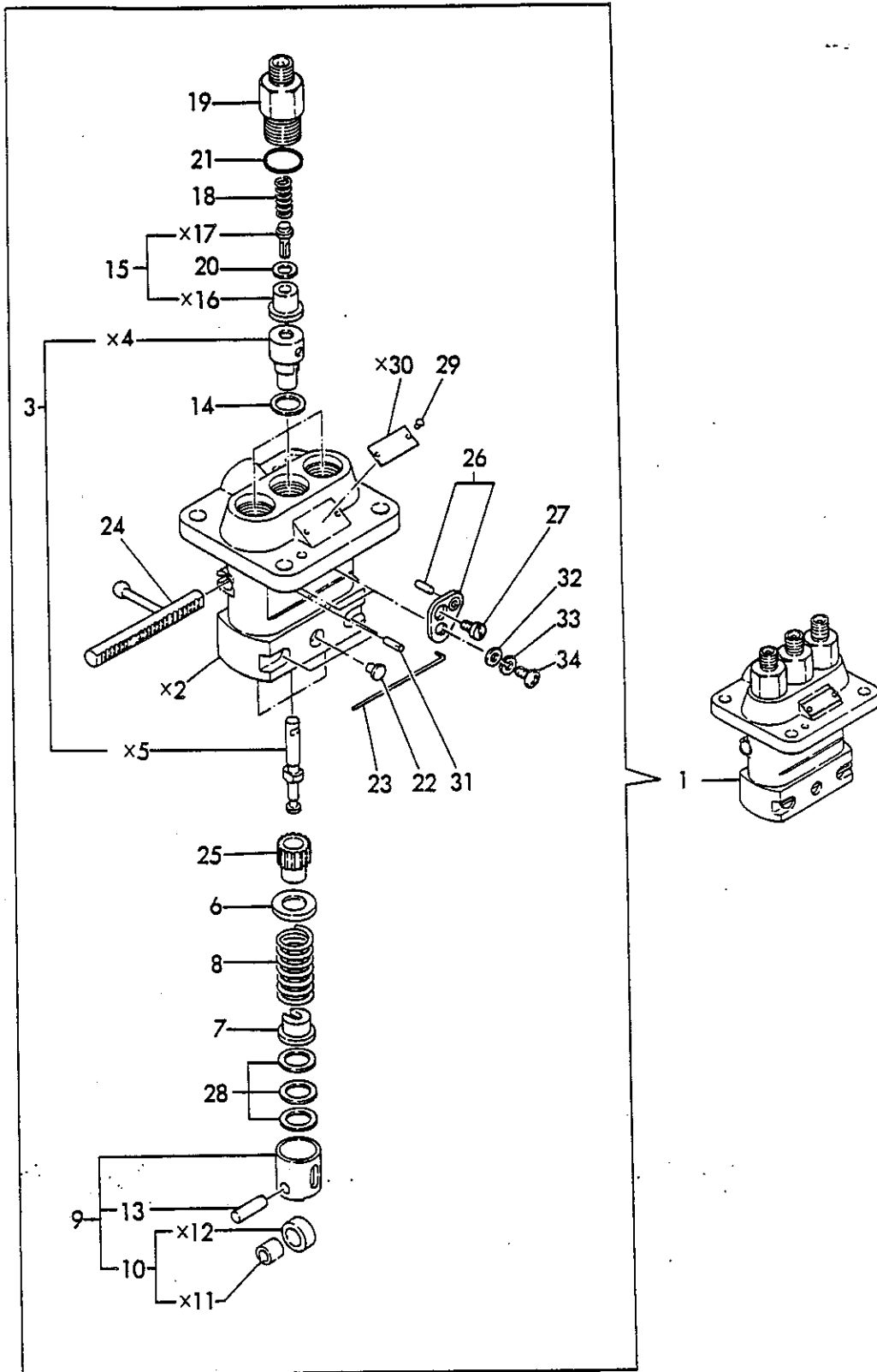


THERMOSTAT

(A)=3T75H-LTBS (D)=
 (B)= (E)=
 (C)= (F)=

REF.	LEV.	PART NO.	DESCRIPTION	QTY	I	P	U	A	R
REF.	LEV.	PART NO.	DESCRIPTION	(A)	(B)	(C)	(D)	(E)	(F)
1	.	129350-49530	COVER, THERMOSTAT	1					
2	.	129350-49540	GASKET	1					
3	.	129350-49800	THERMOSTAT	1					
4	.	26106-080182	BOLT M 8X 18 PLATED	2					

FUEL INJECTION PUMP



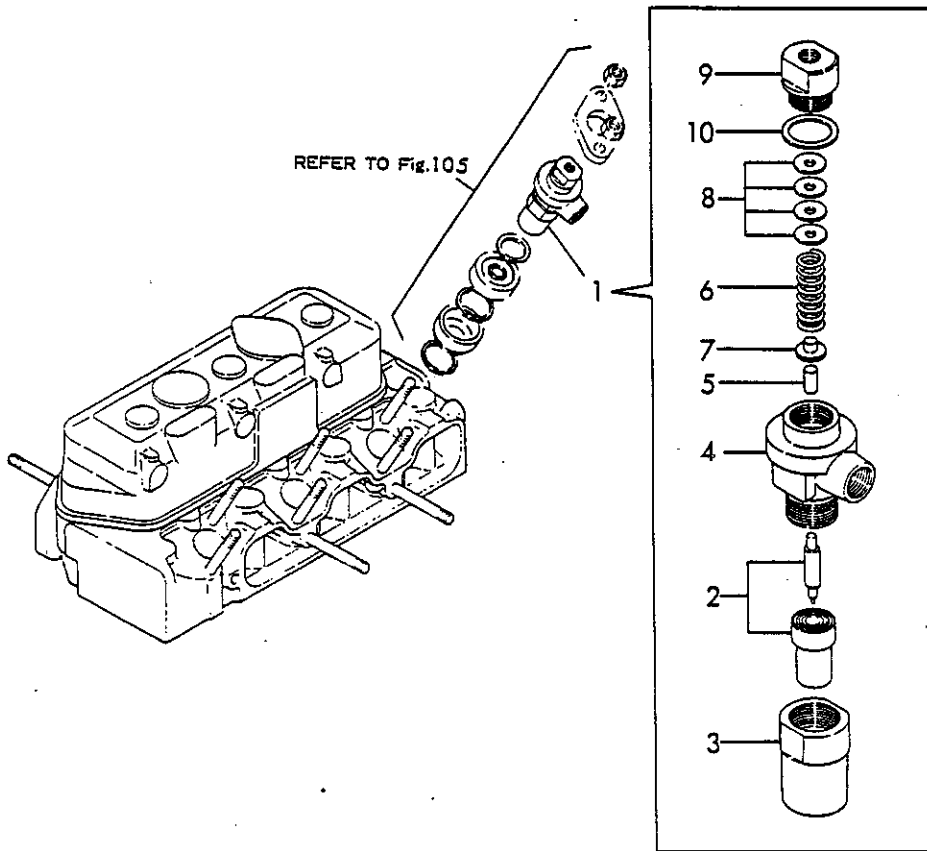
×印部品ハ単品販売致シマセン
 X-MARK PARTS : NOT SOLD SEPARATELY

FUEL INJECTION PUMP

(A)=3T75H-LTBS (D)=
 (B)= (E)=
 (C)= (F)=

REF.	LEV.	PART NO.	DESCRIPTION	Q'TY (A) (B) (C) (D) (E) (F)						
				I	P	U	A	R		
1	.	721522-51700	FUEL INJECTION PUMP	1						
2	.. X	121450-51010	BODY, FUEL I. PUMP	1						
3	..	121550-51100	PLUNGER W/BARREL	3						
4	... X	121550-51120	BARREL	3						
5	... X	121550-51130	PLUNGER	3						
6	..	174307-51170	RETAINER A	3						
7	..	174307-51181	RETAINER B	3						
8	..	124950-51190	SPRING, PLUNGER	3						
9	..	724550-51520	GUIDE ASSY, PLUNGER	3						
10	...	711100-51540	ROLLER ASSY	3						
11X	111100-51210	ROLLER	3						
12X	111100-51220	ROLLER	3						
13	...	174100-54120	PIN, ROLLER	3						
14	..	124950-51270	PACKING	3						
15	..	124060-51300	VALVE W/SEAT, DELIV.	3						
16	... X	124550-51310	SEAT	3						
17	... X	111100-51891	VALVE, DELIVERY	3						
18	..	124550-51320	SPRING, DELIV. VALVE	3						
19	..	124550-51341	RETAINER	3						
20	..	124550-51350	GASKET	3						
21	..	124550-51370	O-RING	3						
22	..	124950-51450	PIECE, GUIDE	3						
23	..	121150-51460	PIN	1						
24	..	121450-51500	RACK, CONTROL	1						
25	..	124950-51510	PINION	3						
26	..	124950-51640	SHIM SET, CONTROL	2						
27	..	103854-51660	SCREW	2						
28	..	174307-51700	SHIM SET	3						
29	..	124220-51890	RIVET	2						
30	.. X	121522-51920	LABEL, F.I. PUMP	1						
31	..	103854-51251	PIN, PLUNGER	1						
32	..	22117-050000	WASHER 5	2						
33	..	22217-050000	SPRING WASHER 5	2						
34	..	26587-050102	SCREW M 5X 10	2						

FUEL INJECTION VALVE

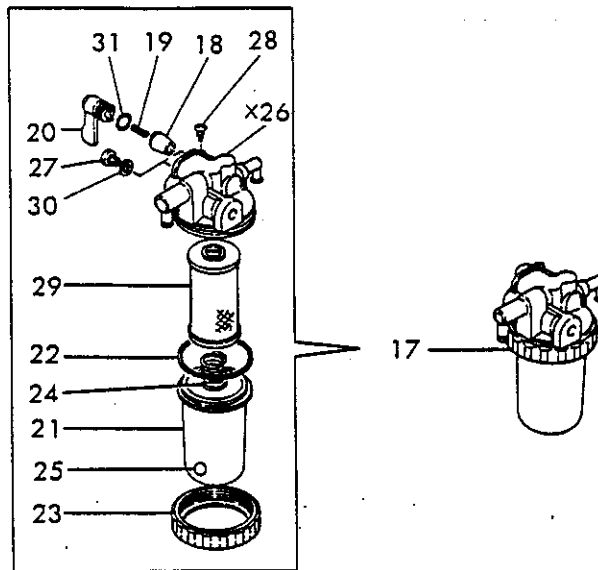
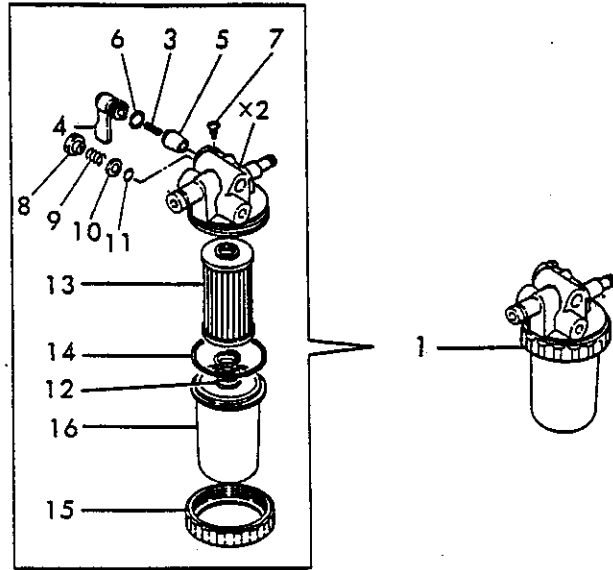


FUEL INJECTION VALVE

(A)=3T75H-LTBS (D)=
 (B)= (E)=
 (C)= (F)=

REF.	LEV.	PART NO.	DESCRIPTION	QTY	I	P	U	A	R
				(A)(B)(C)(D)(E)(F)					
1	.	724060-53101	2TR13 FOR CMP	VALVE ASSY, F.INJECT	3				
2	..	124770-53000	ノズル CMP	NOZZLE ASSY, F.INJECT	3				
3	..	104200-53080	ケース	HOLDER, VALVE W/CASE	3				
4	..	103854-53100	ホルダ	HOLDER ASSY, NOZZLE	3				
5	..	113200-53110	シャフト	SPINDLE	3				
6	..	103854-53120	スプリング	SPRING, NOZZLE	3				
7	..	113200-53120	シュー	SHOE, SPRING	3				
8	..	110250-53150	シム	SHIM SET	3				
9	..	103854-53180	リテーナ	RETAINER, SPRING	3				
10	..	172100-53200	ガスケット	GASKET	3				

STRAINER & WATER SEPARATOR

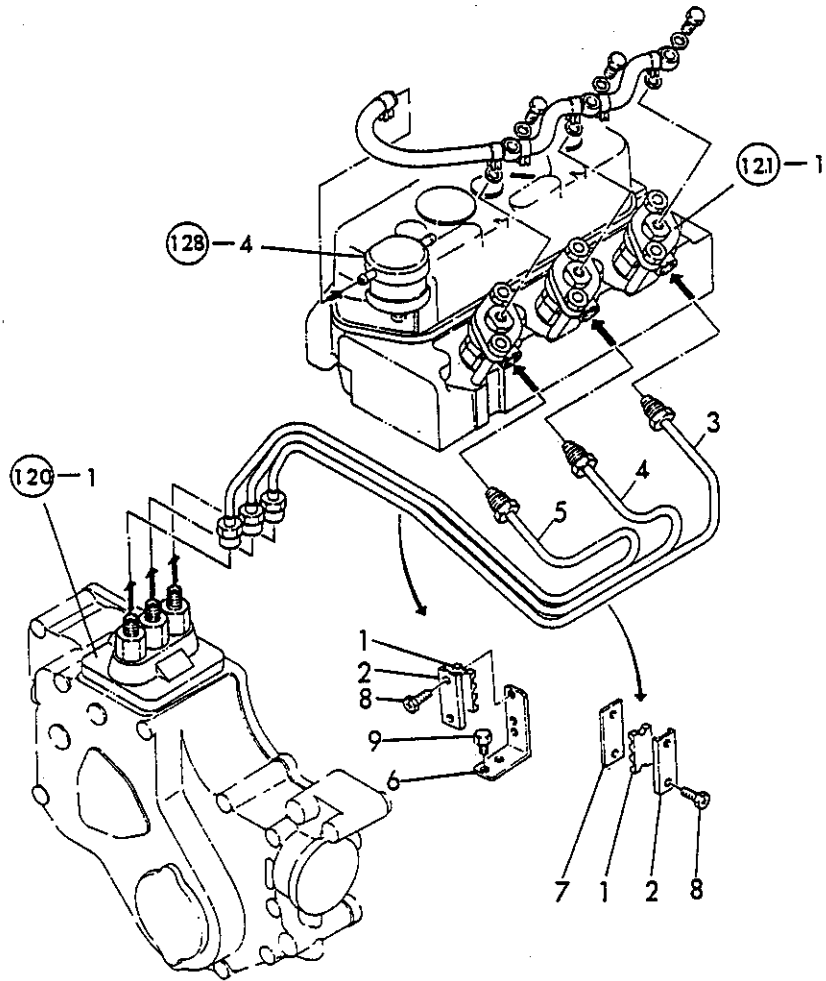


×印部品は単品販売致しません
 ×-MARK PARTS : NOT SOLD SEPARATELY

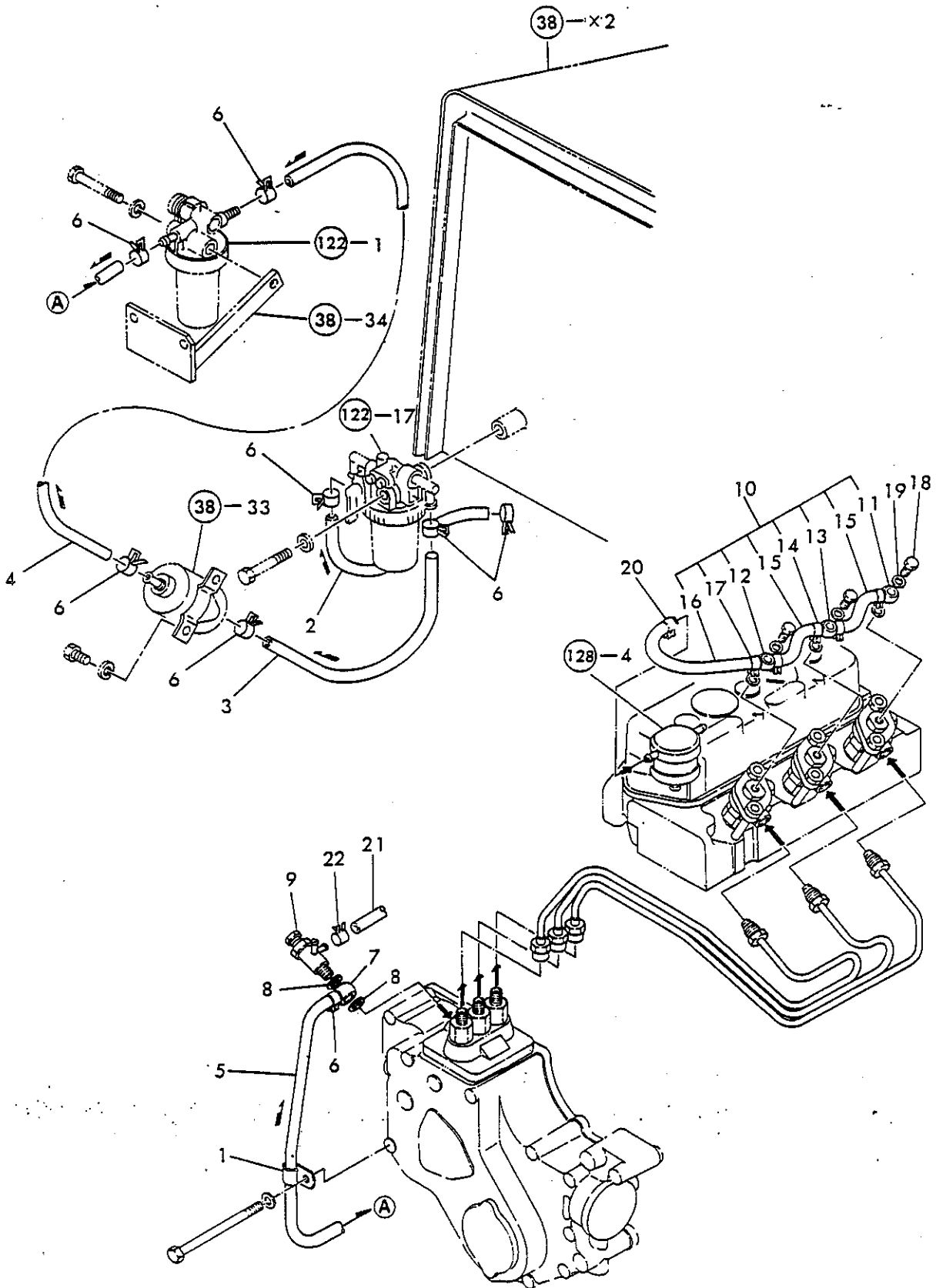
F.O.STRAINER & WATER SEPARATOR(A)=3T75H-LTBS (D)=
 (B)= (E)=
 (C)= (F)=

ミタシ REF.	レベル LEV.	775H-LTBS PART NO.	775H メ	DESCRIPTION	----Q'TY(コケ)---- (A)(B)(C)(D)(E)(F)	I P/U A R
1	.	129350-55600	FOコシキ CMP	STRAINER ASSY, FUEL	1	
2	.. X	129350-55540	ネリヨウコシキホツマシキ	BODY, FUEL STRAINER	1	
3	..	104200-55330	スプリング(チ-ハ-ハ-ル)	SPRING	1	
4	..	104200-55341	ハンドル(FOコツク)	HANDLE, COCK	1	
5	..	104200-55321	チ-ハ-ハ-ル	VALVE, TAPER	1	
6	..	24311-240100	Oリング 1A P 10A	O-RING 1A P-10A	1	
7	..	104200-55750	775Hコネジ 4(FOコツクハンドル)	SCREW	1	
8	..	129350-55810	ボタ	BUTTON	1	
9	..	129350-55820	スプリング(エア-ス)	SPRING	1	
10	..	129350-55830	Oリング(オ)	RETAINER	1	
11	..	24311-000040	Oリング 1A P 4.0	O-RING 1A P-4.0.	1	
12	..	121250-55620	スプリング(エレメント)	SPRING	1	
13	..	124550-55700	FOコシキエレメント(シ) L=92	STRAINER, FUEL	1	
14	..	102103-55520	Oリング(オ)	O-RING	1	
15	..	110250-55610	リテ-ニク(リ)	RETAINER, BOWL	1	
16	..	121254-55510	オ(FOコシキ)	CUP, STRAINER	1	
17	.	129335-55700	ウ-タ-ハ-レ-タ CMP	SEPARATOR, WATER	1	
18	..	104200-55321	チ-ハ-ハ-ル	VALVE, TAPER	1	
19	..	104200-55330	スプリング(チ-ハ-ハ-ル)	SPRING	1	
20	..	104200-55341	ハンドル(FOコツク)	HANDLE, COCK	1	
21	..	124064-55510	オ(FOコシキ)	CUP, STRAINER	1	
22	..	102103-55520	Oリング(オ)	O-RING	1	
23	..	110250-55610	リテ-ニク(リ)	RETAINER, BOWL	1	
24	..	121257-55720	スプリング(スクリ-)	SPRING	1	
25	..	121257-55731	フロ-ト	FLOAT	1	
26	.. X	129335-55730	コシキホツマシキ	BODY, STRAINER	1	
27	..	101720-55750	6コク7*5コ 6(エア-ス)	PLUG	2	
28	..	104200-55750	775Hコネジ 4(FOコツクハンドル)	SCREW	1	
29	..	171081-55910	スクリ- (100メツ)	SCREEN	1	
30	..	23418-060000	パツキ(マ) 6	PACKING 6, NYLON	2	
31	..	24311-240100	Oリング 1A P 10A	O-RING 1A P-10A	1	

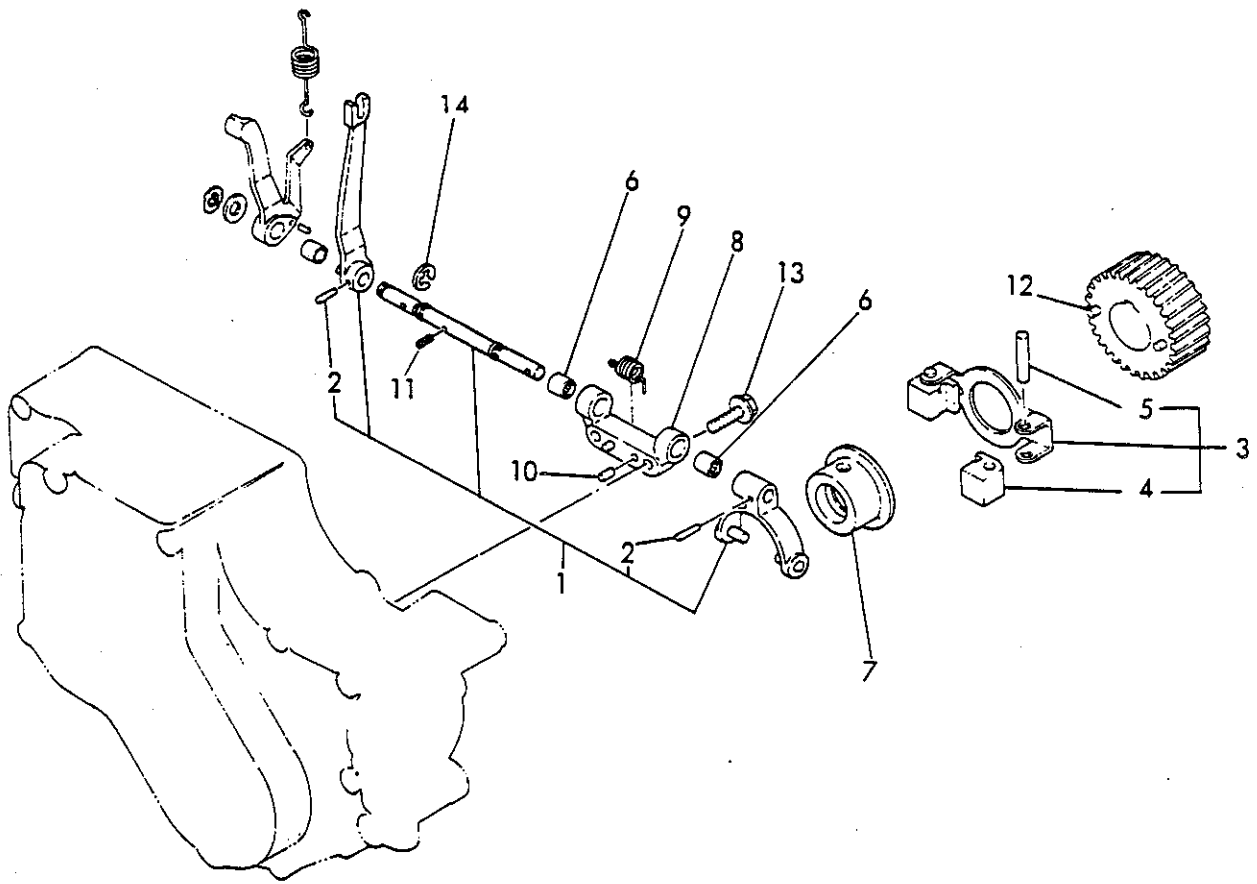
F.O. INJECTION PIPE



FUEL OIL PIPE



GOVERNOR

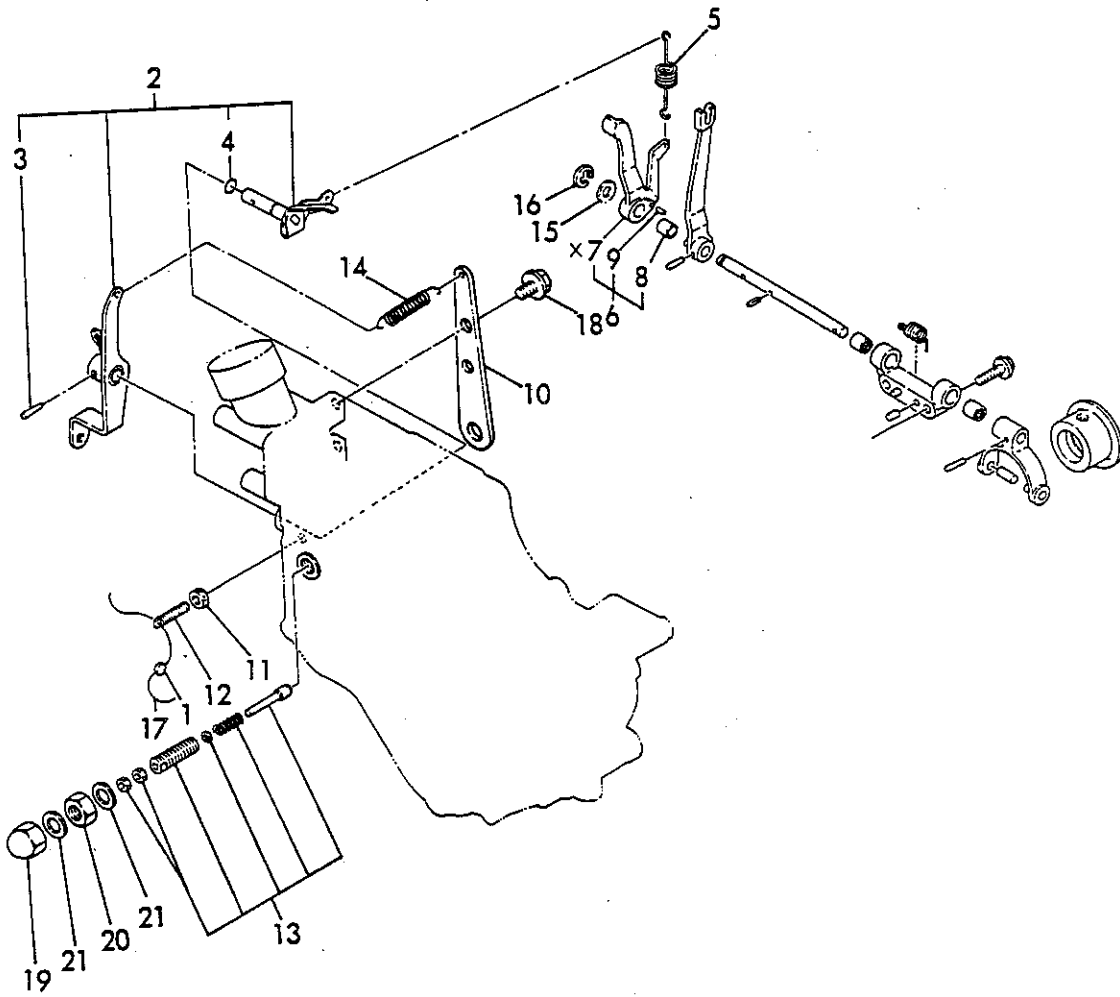


GOVERNOR

(A)=3T75H-LTBS (D)=
 (B)= (E)=
 (C)= (F)=

REF.	LEV.	PART NO.	DESCRIPTION	Q'TY (A)(B)(C)(D)(E)(F)	I	P	U	A	R
1	.	121450-61001	LEVER, GOVERNOR	1					
2	..	22322-030180	TAPER PIN 3X18	2					
3	.	121450-61101	WEIGHT ASSY, GOVERNOR	1					
4	..	104200-61200	WEIGHT, GOVERNOR	2					
5	..	172200-61220	PIN, GOVERNOR WEIGHT	2					
6	.	121520-61520	BEARING, NEEDLE	2					
7	.	129350-61600	SLEEVE, GOVERNOR	1					
8	.	121520-61620	SUPPORT	1					
9	.	121450-61631	SPRING	1					
10	.	22312-040080	PARALLEL PIN 4X 8	2					
11	.	22351-030010	SPRING PIN 3X10	1					
12	.	22351-040008	SPRING PIN 4X 8	2					
13	.	26106-060222	BOLT M 6X 22 PLATED	2					
14	.	22272-000060	CIRCLIP E- 6	1					

CONTROL DEVICE



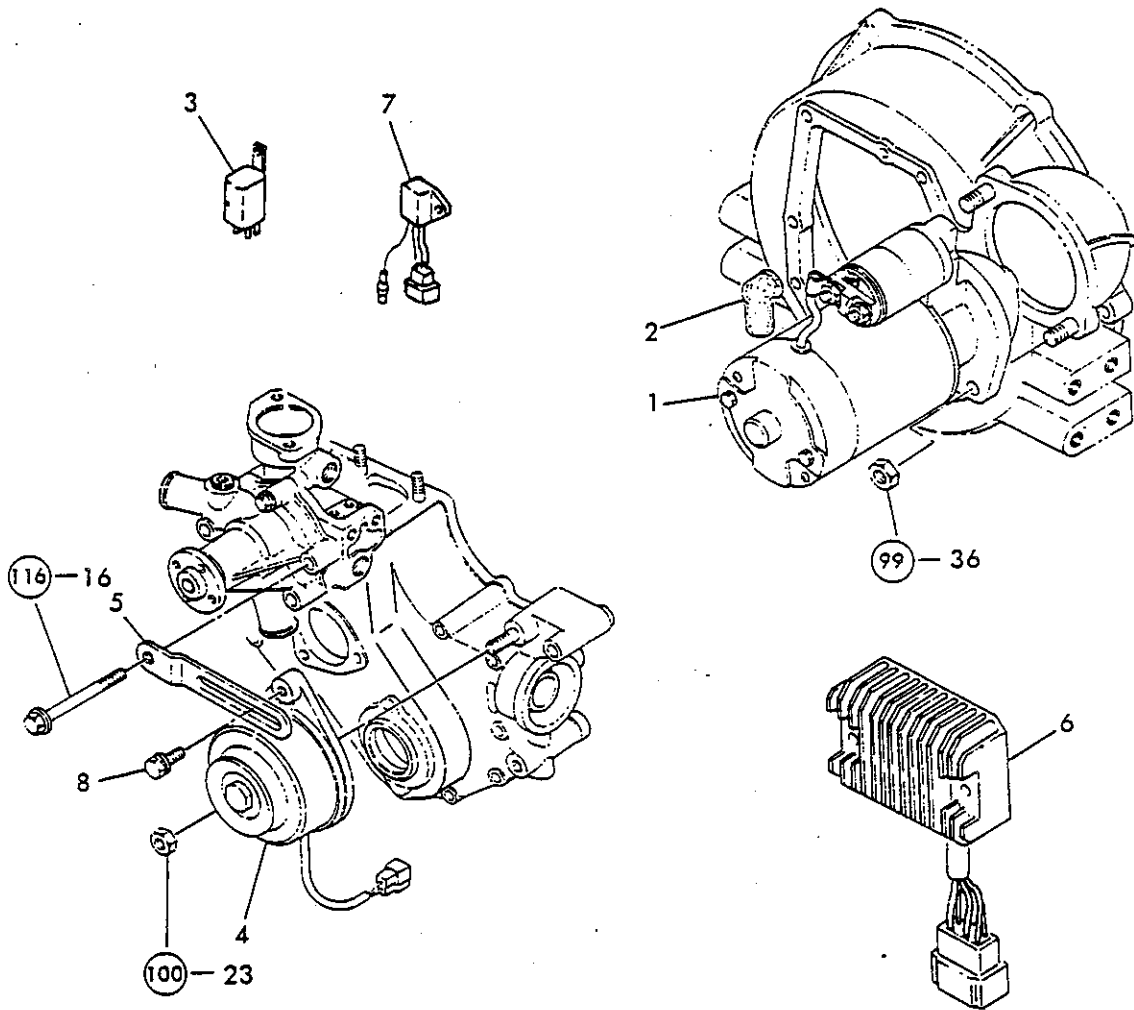
×印部品ハ単品販売致シマセン
×MARK PARTS : NOT SOLD SEPARATELY

CONTROL DEVICE

(A)=3T75H-LTBS (D)=
 (B)= (E)=
 (C)= (F)=

REF.	LEV.	PART NO.	DESCRIPTION	Q'ITY (A) (B) (C) (D) (E) (F)						I P/U A R	
				(A)	(B)	(C)	(D)	(E)	(F)		
1	.	135210-61090	フライングマシ	LEAD							1
2	.	129327-66000	レキニレ-タハントル CMP	HANDLE ASSY, REGULAT							1
3	..	22322-030200	ア-ハ-ヒン 3X20	TAPER PIN 3X20							1
4	..	24311-000070	オリク 1A P 7.0	O-RING 1A P7							1
5	.	121450-66010	スプリング (レキニレ-タ)	SPRING, REGULATOR							1
6	.	121450-66180	レバニヤクニシハ- COMP	LEVER, ASSY LIMIT							1
7	.. X	121450-66161	レバニヤクニシハ-	LEVER, LIMIT FUEL OI							1
8	..	121450-66170	ブッシュ (カニハニヤクニシハ-)	BUSH, GOV. SHAFT							1
9	..	22312-030080	レバニヤクニシハ- 3X8	PARALLEL PIN 3X 8							1
10	.	129327-66200	サポート (アクセルワイヤ)	SUPPORT, ACCELE. WIR							1
11	.	124550-66370	ナット	LOCK NUT							1
12	.	121454-66420	アジャスタ	ADJUSTER							1
13	.	121567-66551	コントローラ CMP	CONTROLLER ASSY							1
14	.	104104-67300	レバニヤクニシハ-	SPRING, RETURN							1
15	.	22137-080000	ワッシャ 8	WASHER 8							1
16	.	22272-000060	クリップ E- 6	CIRCLIP E- 6							1
17	.	22451-060000	ワイヤ 0.6	WIRE 0.6							1
18	.	26106-080122	ボルト M 8X 12	BOLT M 8X 12 PLATED							2
19	.	26687-120002	ナット M12	CAP NUT M12							1
20	.	26776-120002	ナット M12	LOCK NUT M12 PLATED							1
21	.	43400-500450	パッキング 12	PACKING							2

ELECTRIC EQUIPMENT

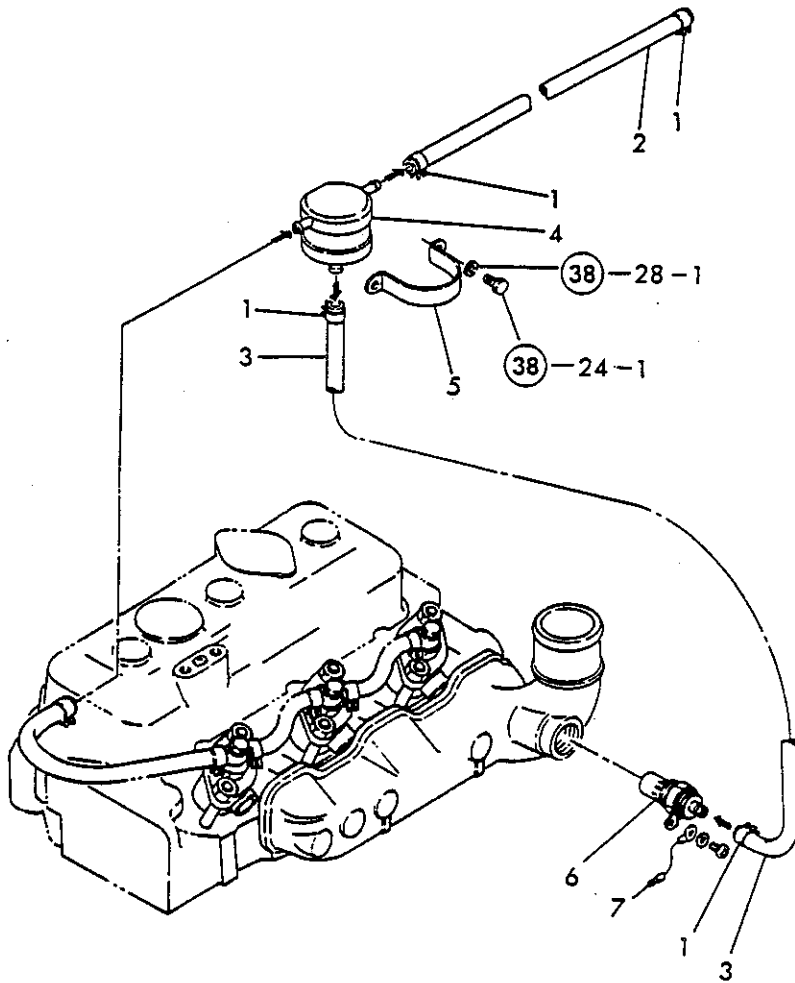


ELECTRIC EQUIPMENT

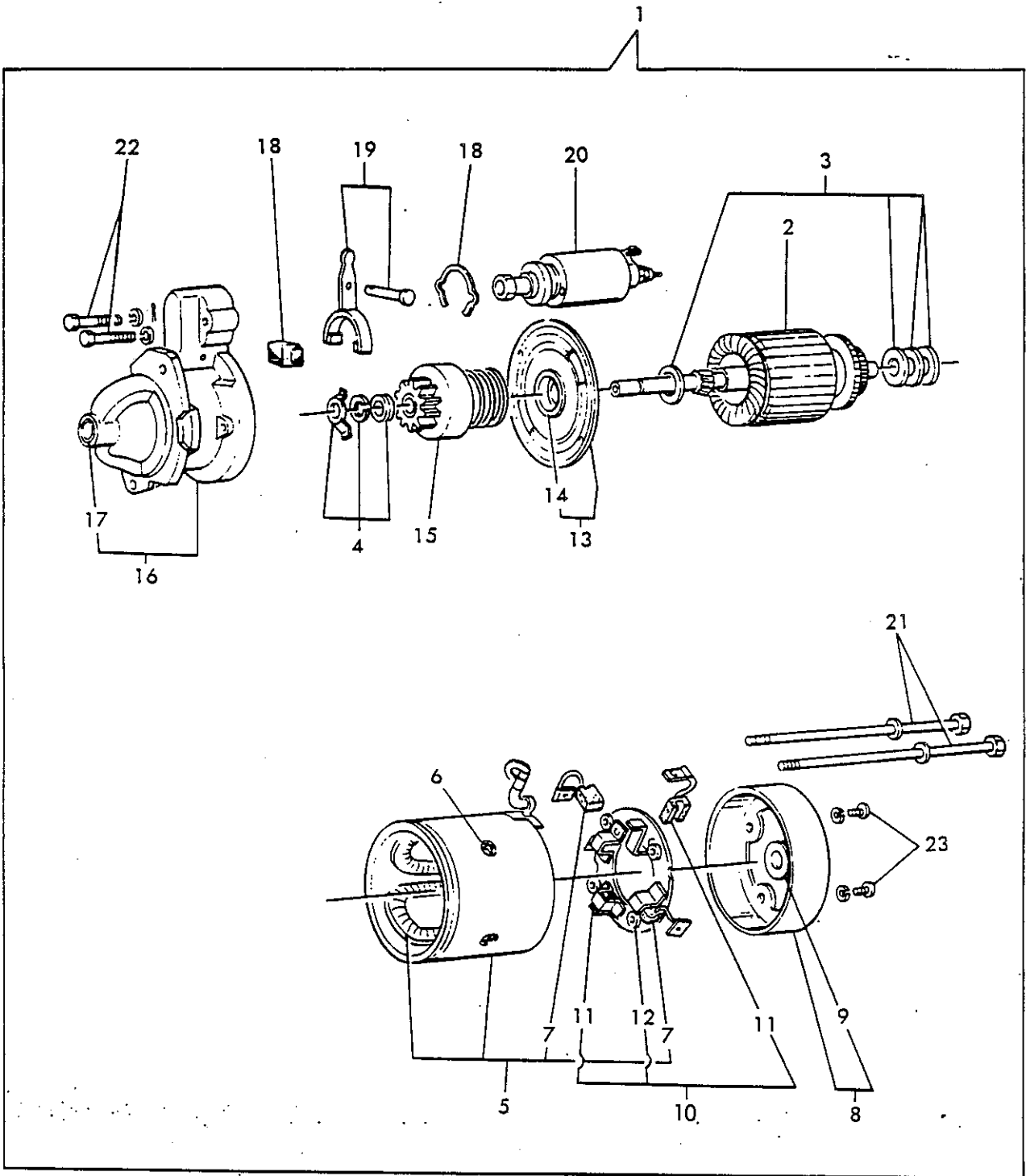
(A)=3T75H-LTBS (D)=
 (B)= (E)=
 (C)= (F)=

REF.	LEV.	PART NO.	DESCRIPTION	Q'TY (A) (B) (C) (D) (E) (F)	P/U	A	R
1	.	124250-77012	STARTER (S12-77A)	1			
2	.	124550-77030	COVER, TERMINAL	1			
3	.	121522-77101	RELAY	1			
4	.	121450-77200	GENERATOR	1			
5	.	121521-77330	ADJUSTER, BELT	1			
6	.	121522-77712	LIMITER	1			
7	.	121522-77721	INDICATOR, CHARGING	1			
8	.	26014-080252	BOLT M 8X 25	1			

THERMOSTART DEVICE



STARTING MOTER (COMPONENT PARTS)

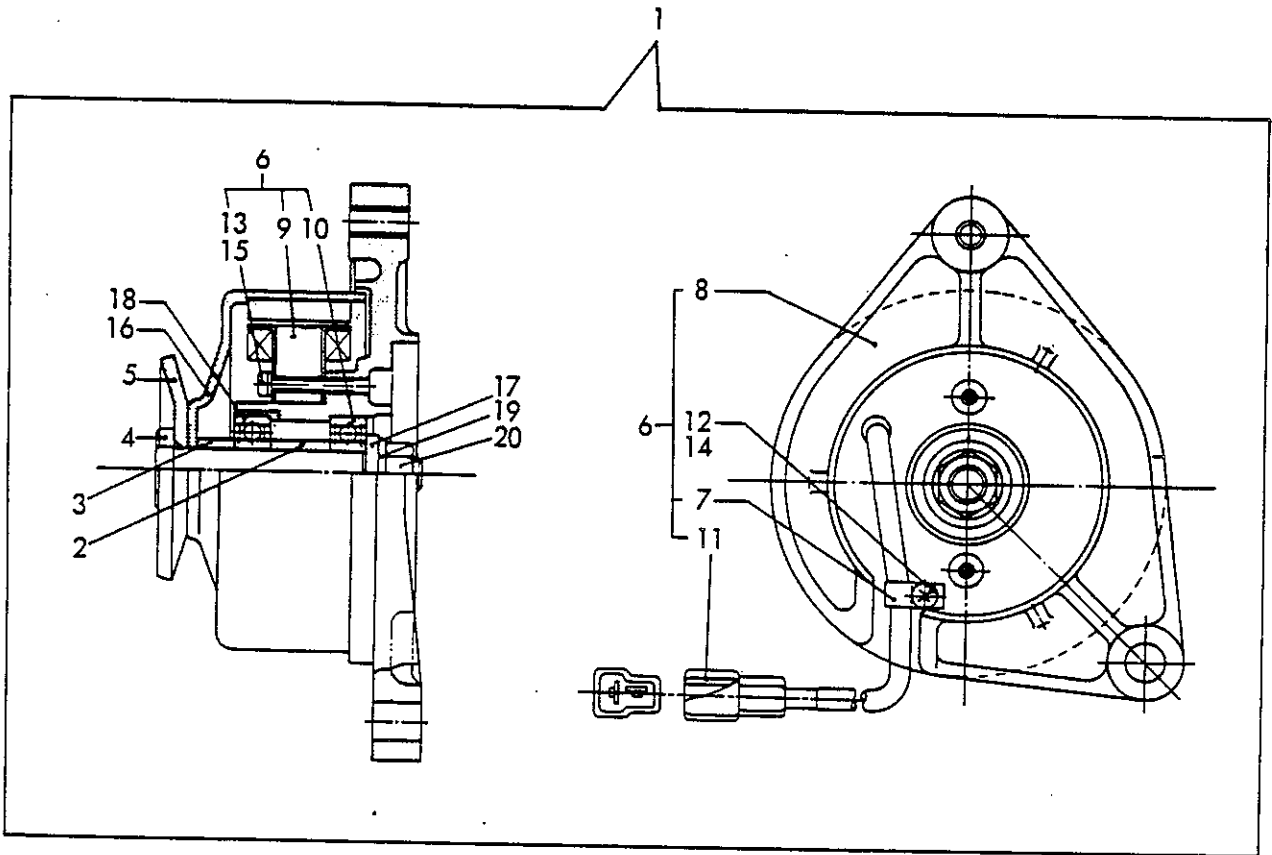


STARTER COMPONENT PARTS

(A)=3T75H-LTBS (D)=
 (B)= (E)=
 (C)= (F)=

REF.	LEV.	PART NO.	DESCRIPTION	QTY (A) (B) (C) (D) (E) (F)	I	P	U	A	R
1	.	124250-77012	STARTER (S12-77A)	1					
2	..	X21207100	ARMATURE ASSY	1					
3	..	X21201115	WASHER SET, THRUST	1					
4	..	X21201110	STOPPER SET	1					
5	..	X21204259	COIL ASSY	1					
6	...	X21142215	SCREW	4					
7	...	X21209311	BRUSH (+)	2					
8	..	X22501300	COVER ASSY, REAR	1					
9	...	X21204302	METAL, COVER BEARING	1					
10	..	X21205310	HOLDER ASSY, BRUSH	1					
11	...	X21207312	BRUSH	2					
12	...	X21201313	SPRING, BRUSH	4					
13	..	X21205400	BEARING ASSY	1					
14	...	X21204401	METAL, CENTER BERG.	1					
15	..	X212045001	PINION ASSY	1					
16	..	X21205656	CASE ASSY, GEAR	1					
17	...	X21202601	METAL, GEAR CASE	1					
18	..	X21202602	COVER SET	1					
19	..	X21201605	LEVER SET	1					
20	..	X212037002	SWITCH ASSY, MAGNET.	1					
21	..	X21204810	BOLT, THROUGH	2					
22	..	X21145866	BOLT	2					
23	..	X0630412	BOLT M 4X 12	2					

GENERATOR (COMPONENT PARTS)

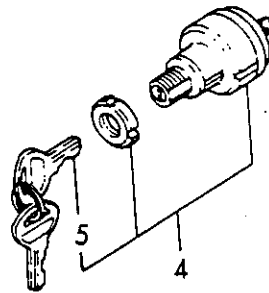
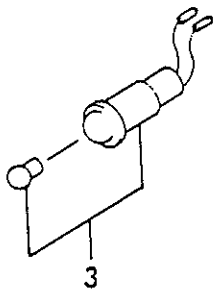
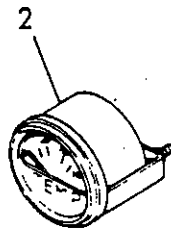
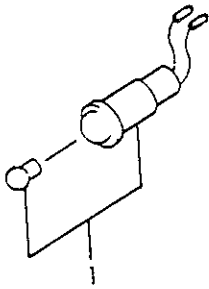


GENERATOR COMPONENT PARTS

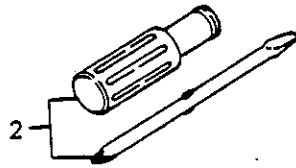
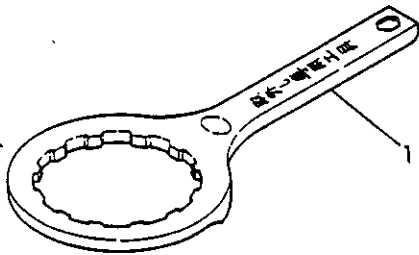
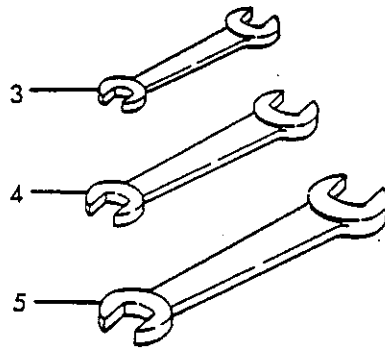
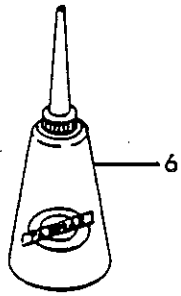
(A)=3T75H-LTBS (D)=
 (B)= (E)=
 (C)= (F)=

REF.	LEV.	PART NO.	DESCRIPTION	Q'TY	I	P	U	A	R
				(A)(B)(C)(D)(E)(F)					
1	.	121450-77200	GEN (12V-180W)	1					
2	..	XM329830000	COLLAR	1					
3	..	XM428020000	COLLAR	1					
4	..	XM429270000	SHAFT	1					
5	..	XM429290000	PLATE, PULLEY	1					
6	..	XM514160000	PLATE ASSY	1					
7	...	XM069000000	CLAMP	1					
8	...	XM514170000	PLATE	1					
9	...	XM514180000	STATOR	1					
10	...	XM861240000	B.BEARING #6201ZZC3	1					
11	...	XM967170000	COUPLER	1					
12	...	22217-040000	SPRING WASHER 4	1					
13	...	22217-040000	SPRING WASHER 4	2					
14	...	26557-040082	SCREW M 4X 8	1					
15	...	26557-040252	SCREW M 4X 25	2					
16	..	XM622270000	FLYWHEEL	1					
17	..	XM860250000	WASHER 10	1					
18	..	XM861240000	B.BEARING #6201ZZC3	1					
19	..	22217-100000	SPRING WASHER 10	1					
20	..	26706-100002	NUT M10	1					

METER



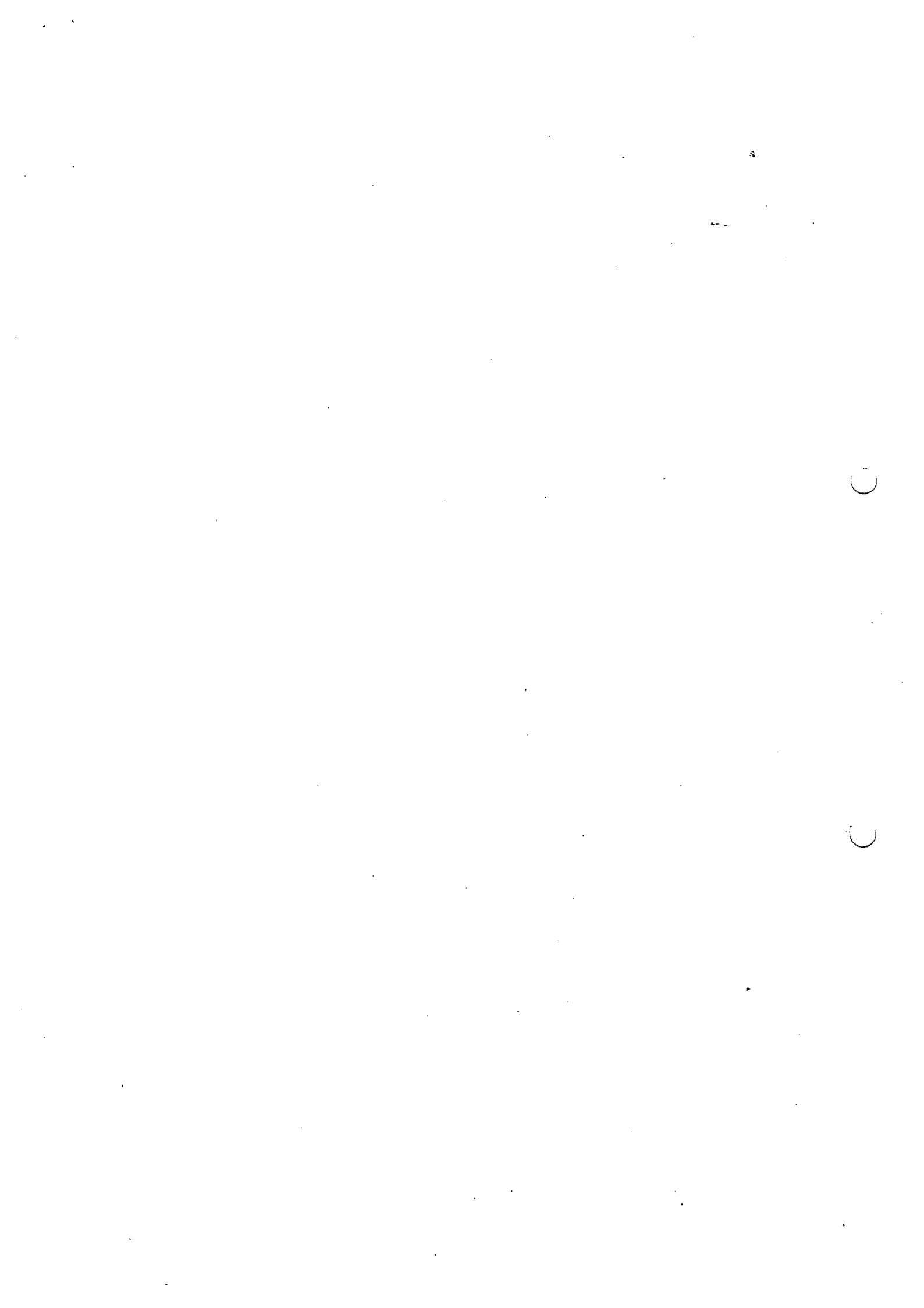
TOOLS



TOOLS

(A)=3T75H-LTBS (D)=
 (B)= (E)=
 (C)= (F)=

REF.	LEV.	PART NO.	DESCRIPTION	Q'TY (A) (B) (C) (D) (E) (F)						
				(A)	(B)	(C)	(D)	(E)	(F)	
1	.	124550-35350	REMOVER	1						
2	.	104200-92350	SCREWDRIVER	1						
3	.	28110-100120	WRENCH 10X12	1						
4	.	28110-140170	WRENCH 14X17	1						
5	.	28110-190220	WRENCH 19X22	1						
6	.	28210-000140	OIL FEEDER	1						



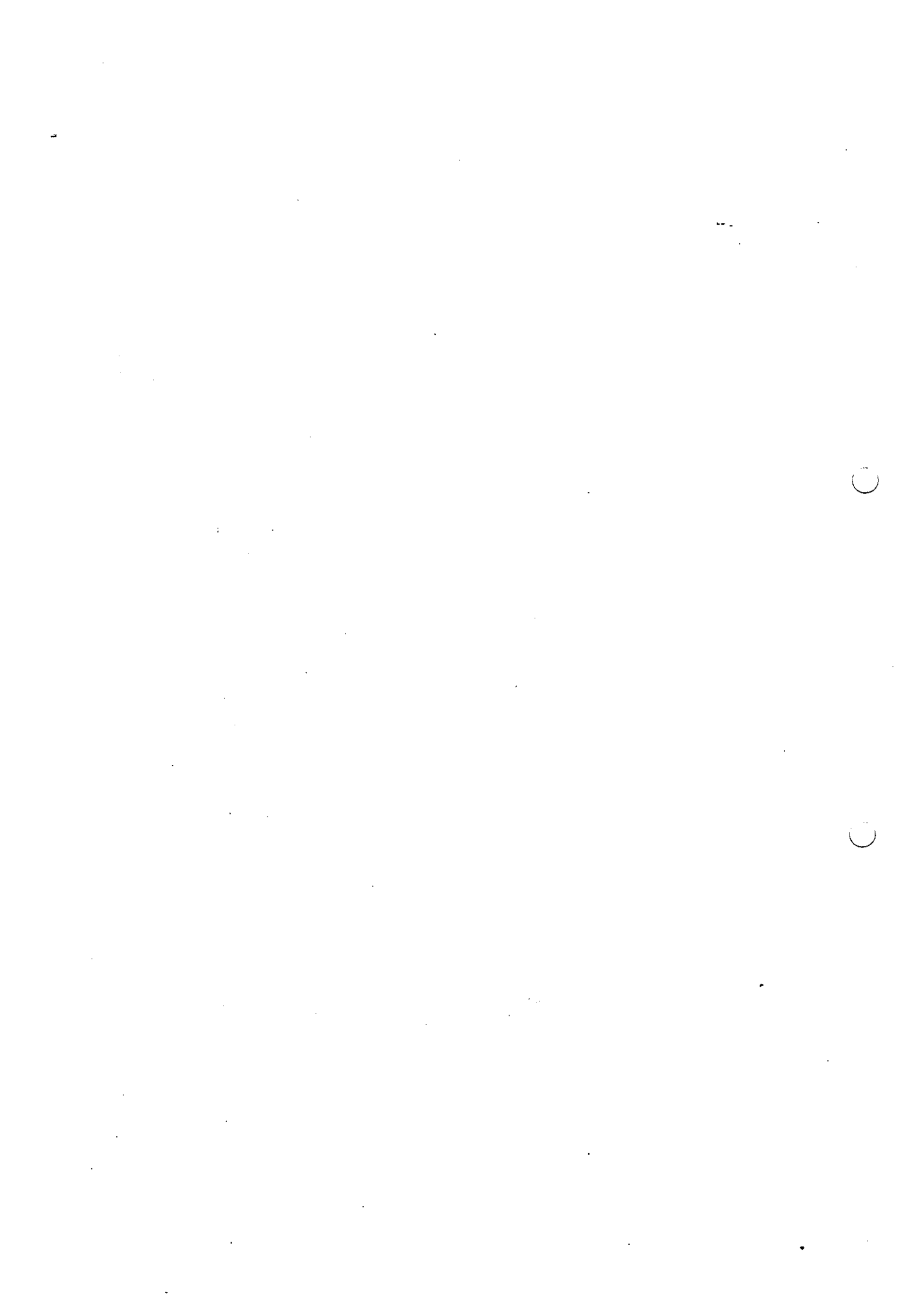
部品番号順索引表

PARTS INDEX

当パーツカタログに記載されている総ての部品を部品番号順（使用場所別）に収録してあります。

部品番号により目的の部品がどの部分に使用されているかを知る場合にご活用下さい。

All parts covered by this Parts Catalog have been mentioned here in order of Part No. (according to usage location).
Please utilize this Index to learn where a part in interest is used in reference to Part No.



部品番号順索引表

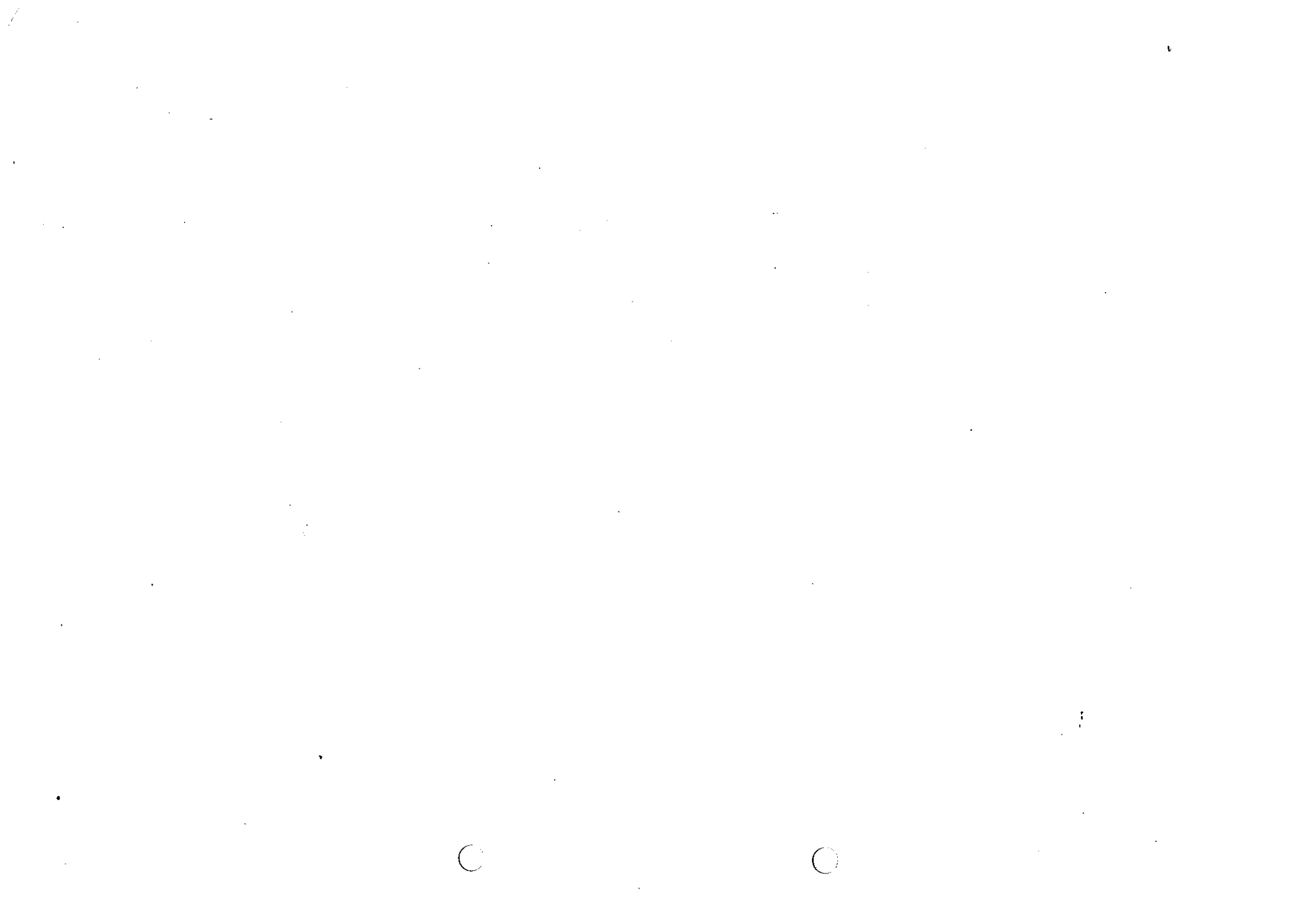
PARTS INDEX

当パーツカタログに記載されている総ての部品を部品番号順（使用場所別）に収録してあります。

部品番号により目的の部品がどの部分に使用されているかを知る場合にご活用下さい。

All parts covered by this Parts Catalog have been mentioned here in order of Part No. (according to usage location).

Please utilize this Index to learn where a part in interest is used in reference to Part No.



(MF NO.Y00K2031)

↑-----↑
↑ 2J01 ↑
↑-----↑

*** PARTS INDEX ***

86.10.17

P. 1

PART NO.	DESCRIPTION	PC NO.	GRP.	REF.	LOC.NO.	PART NO.	DESCRIPTION	PC NO.	GRP.	REF.	LOC.NO.
E0001030144	ピン	Y00K2031	5	2	1B06	E0001900059	ピン シャフト	Y00K2031	9	11	1B10
E0001035125	ピン, BUCKET CYL.HEAD	Y00K2031	48	26	1E03				10	11	1B11
			49	26	1E04				11	12	1B12
			50	26	1E05	E0001900086	ピン, CYLINDER HEAD	Y00K2031	9	14	1B10
			51	26	1E06				12	12	1B13
E0001040106	ピン	Y00K2031	5	3	1B06				10	14	1B11
E0001040138	ピン, BOOM CYL.HEAD	Y00K2031	48	6	1E03	E0001900122	ピン, CYL. ROD	Y00K2031	11	14	1B12
			49	6	1E04				12	14	1B13
			50	6	1E05	E0001900123	ピン, CYL. ROD	Y00K2031	11	15	1B12
			51	6	1E06				12	15	1B13
E0001040161	ピン	Y00K2031	48	7	1E03	E0002100001	ブッシュ	Y00K2031	48	31	1E03
			49	7	1E04				49	31	1E04
			50	7	1E05				50	31	1E05
			51	7	1E06				51	31	1E06
E0001335111	ピン	Y00K2031	97	17	1H05				97	12	1H05
			98	17	1H06	E0002100003	ブッシュ	Y00K2031	48	24	1E03
									45		1H06
E0001335206	ピン, BUCKET	Y00K2031	48	28	1E03				48	24	1E03
			49	28	1E04				49	24	1E04
			50	28	1E05				50	24	1E05
			51	28	1E06				51	24	1E06
			97	16	1H05				97	11	1H05
			98	16	1H06				98	11	1H06
E0001340125	ピン	Y00K2031	48	25	1E03				97	8	1H05
			49	25	1E04	E0002100005	ブッシュ	Y00K2031	97	8	1H05
			50	25	1E05				98	8	1H06
			51	25	1E06				41		1H06
E0001404005	ピン	Y00K2031	48	8	1E03	E0002100006	ブッシュ	Y00K2031	97	15	1H05
			49	8	1E04				98	15	1H06
			50	8	1E05				48		1H06
			51	8	1E06	E0002340124	ブッシュ	Y00K2031	48	23	1E03
E0001900010	ピン, BUCKET CYL.ROD	Y00K2031	48	27	1E03				49	23	1E04
			49	27	1E04				50	23	1E05
			50	27	1E05				51	23	1E06
			51	27	1E06	E0002355070	ブッシュ	Y00K2031	9	15	1B10
			97	16	1H05				10	15	1B11
E0001900051	ピン	Y00K2031	48	9	1E03				11	16	1B12
			49	9	1E04				12	16	1B13
			50	9	1E05	E0002440040	ブッシュ	Y00K2031	48	3	1E03
			51	9	1E06						

7"20M"0K02031" PART NO.	7"20M"0K02031" DESCRIPTION	PC NO.	7"20M"0K02031" GRP. REF.	7"20M"0K02031" LOC. NO.	7"20M"0K02031" PART NO.	7"20M"0K02031" DESCRIPTION	PC NO.	7"20M"0K02031" GRP. REF.	7"20M"0K02031" LOC. NO.
E0002440040	BUSH 7"20M"0K02031"	Y00K2031	49	3	E0003035000	COLLAR T=1.0	Y00K2031	97	27
			50	3		7"20M"0K02031"		98	27
			51	3					80
E0002900003	7"20M"0K02031" BUSH, BUCKET	Y00K2031	52	3	E0003035001	7"20M"0K02031"	Y00K2031	9	23
			94	3		COLLAR (T-1.6)		10	23
				14				48	36
				25				49	36
				36				50	36
				97				51	36
				98				97	28
				36				98	28
E0003000010	7"20M"0K02031" WASHER	Y00K2031	46	17	E0003035002	7"20M"0K02031"	Y00K2031	9	24
			47	17		COLLAR 2.3T			
E0003000063	7"20M"0K02031" COLLAR	Y00K2031	14	14				10	24
E0003000065	7"20M"0K02031" COLLER	Y00K2031	15	20				48	37
			19	5				49	37
			82	22				50	37
E0003015005	7"20M"0K02031" COLLAR	Y00K2031	15	17				51	37
			17	14				97	29
E0003020005	7"20M"0K02031" COLLAR	Y00K2031	21	5	E0003035003	7"20M"0K02031"	Y00K2031	9	25
			22	5		COLLAR			
			25	26				10	25
E0003030000	30 7"20M"0K02031" PIN-COLLAR T1	Y00K2031	5	4				48	38
			6	4				49	38
E0003030001	7"20M"0K02031" COLLAR, PIN 1.6T	Y00K2031	5	5				50	38
			6	5				51	38
E0003030002	7"20M"0K02031" COLLAR, PIN 2.3T	Y00K2031	5	6	E0003035004	7"20M"0K02031"	Y00K2031	9	26
			5	6		COLLAR 4T			
			6	6				10	26
E0003030003	7"20M"0K02031" COLLAR	Y00K2031	5	7				48	39
			6	7				49	39
E0003030004	30 7"20M"0K02031" COLLAR, PIN 4T	Y00K2031	5	8				50	39
			5	8				51	39
			6	8				97	31
E0003030005	7"20M"0K02031" COLLAR	Y00K2031	5	9	E0003035005	7"20M"0K02031"	Y00K2031	9	27
			5	9		COLLAR			
			6	9				64	1H06
E0003035000	7"20M"0K02031" COLLAR T=1.0	Y00K2031	9	22				10	27
			9	22				48	40
			10	22				49	40
			48	35				50	40
			49	35				51	40
			50	35				97	32
			51	35				98	32
								65	1H06

(MF NO.Y00K2031)

-----+
| 2J03 |
-----+

*** PARTS INDEX ***

86.10.17

P. 3

7"כ"ס"ו PART NO.	7"כ"ס"ו DESCRIPTION	PC NO.	7"כ"ס"ו GRP.	7"כ"ס"ו REF.	7"כ"ס"ו LOC.NO.	7"כ"ס"ו PART NO.	7"כ"ס"ו DESCRIPTION	PC NO.	7"כ"ס"ו GRP.	7"כ"ס"ו REF.	7"כ"ס"ו LOC.NO.
E0003036010	COLLAR 7"כ"ס"ו	Y00K2031	8	4	1809	E0003040005	COLLAR 7"כ"ס"ו	Y00K2031	49	15	1E04
E0003040000	COLLAR 7"כ"ס"ו- 1T COLLAR, PIN	Y00K2031	5	10	1806	E0003500007	7"כ"ס"ו- COLLAR, MEDDLE	Y00K2031	50	15	1E05
			6	10	1807				51	15	1E06
			11	23	1812				48	4	1E03
			12	23	1813				49	4	1E04
			48	10	1E03				50	4	1E05
			49	10	1E04	E0003600003	7"כ"ס"ו- WASHER	Y00K2031	51	4	1E06
			50	10	1E05	E0003600020	7"כ"ס"ו WASHER	Y00K2031	37	26	1E06
E0003040001	7"כ"ס"ו- 1.T COLLAR 1.6T	Y00K2031	5	11	1806				23	15	1C08
			6	11	1807						
			11	24	1812				24	15	1C09
			12	24	1813				39	25	1D08
			48	11	1E03				40	26	1D09
			49	11	1E04				41	25	1D10
			50	11	1E05				42	25	1D11
			51	11	1E06				43	25	1D12
E0003040002	7"כ"ס"ו- 2.3T COLLAR, PIN 2.3T	Y00K2031	5	12	1806	E0003600025	7"כ"ס"ו- WASHER	Y00K2031	44	25	1D13
			6	12	1807				21	6	1C06
			11	25	1812						
			12	25	1813				22	6	1C07
			48	12	1E03				38	20	1D07
			49	12	1E04				39	26	1D08
			50	12	1E05				40	27	1D09
			51	12	1E06				41	26	1D10
E0003040003	7"כ"ס"ו- COLLAR	Y00K2031	5	13	1806	E0003600026	7"כ"ס"ו WASHER	Y00K2031	42	26	1D11
			6	13	1807				43	26	1D12
			11	26	1812				44	26	1D13
			12	26	1813	E0003600033	7"כ"ס"ו- WASHER	Y00K2031	23	17	1C08
			48	13	1E03				24	17	1C09
			49	13	1E04				45	14	1D14
			50	13	1E05				46	85	1D16
			51	13	1E06	E0003608003	7"כ"ס"ו WASHER	Y00K2031	47	85	1E02
E0003040004	7"כ"ס"ו- T=4.0 COLLAR, PIN T=4.0	Y00K2031	5	14	1806				9	4	1B10
			6	14	1807						
			11	27	1812				10	4	1B11
			12	27	1813				11	5	1B12
			48	14	1E03				12	5	1B13
			49	14	1E04				39	24	1D08
			50	14	1E05				40	25	1D09
			51	14	1E06				41	24	1D10
E0003040005	7"כ"ס"ו- COLLAR	Y00K2031	5	15	1806	E0003609425	7"כ"ס"ו- WASHER	Y00K2031	42	24	1D11
			6	15	1807				43	24	1D12
			11	28	1812				44	24	1D13
			12	28	1813	E0003612004	7"כ"ס"ו- WASHER	Y00K2031	46	24	1D16
			48	15	1E03				15	18	1B16
									17	15	1C02
									82	20	1G06
									83	27	1G07
									14	16	1B15

7"ע"ס ח"כ"ס"ו PART NO.	7"ע"ס מ"י DESCRIPTION	PC NO.	37ע"ק מ"ר"מ GRP. REF.	מ"ר-מ"ס LOC. NO.	7"ע"ס ח"כ"ס"ו PART NO.	7"ע"ס מ"י DESCRIPTION	PC NO.	37ע"ק מ"ר"מ GRP. REF.	מ"ר-מ"ס LOC. NO.
E0003612004	WASHER 77777-	Y00K2031	16 24	1C01	E0005008100	ROD	Y00K2031	20 13	1C05
			18 22	1C03	E0005008115	ROD	Y00K2031	13 15	1B14
E0003618004	WASHER 77777-	Y00K2031	46 18	1D15				17 20	1C02
			47 18	1E01				81 17	1G05
E0003635505	COLLAR מ"ר-	Y00K2031	8 6	1B09			Y00K2031	83 31	1G07
E0003636002	WASHER 77777-	Y00K2031	3 5	1B04	E0005008150	ROD		16 19	1C01
			78 17	1G02	E0005008160	ROD	Y00K2031	18 17	1C03
			79 17	1G03				13 14	1B14
E0003900013	WASHER 77777-	Y00K2031	48 18	1E03				17 19	1C02
			49 18	1E04				81 16	1G05
			50 18	1E05	E0005008170	ROD	Y00K2031	83 30	1G07
			51 18	1E06				20 12	1C05
E0004000001	PIN פ"ק	Y00K2031	39 23	1D08	E0005008210	ROD	Y00K2031	19 8	1C04
			40 24	1D09					
			41 22	1D10	E0005008250	ROD	Y00K2031	21 22	1C06
			42 22	1D11					
			43 23	1D12	E0005008300	ROD	Y00K2031	22 22	1C07
			44 22	1D13				14 12	1B15
E0004005117	PIN, LEVER מ"ר-פ"ק	Y00K2031	13 16	1B14	E0005008320	ROD	Y00K2031	81 6	1G05
			14 15	1B15	E0005008350	ROD	Y00K2031	14 13	1B15
			15 25	1B16					
			16 23	1C01				17 18	1C02
			17 21	1C02	E0005008370	ROD	Y00K2031	13 13	1B14
			18 20	1C03					
			19 10	1C04				15 24	1B16
			20 15	1C05				21 23	1C06
			21 27	1C06				82 26	1G06
			22 31	1C07	E0005008375	ROD	Y00K2031	18 18	1C03
			81 18	1G05					
			82 27	1G06	E0005008385	ROD	Y00K2031	22 23	1C07
			83 32	1G07					
E0004108025	PIN פ"ק	Y00K2031	46 28	1D15	E0005008410	ROD	Y00K2031	13 35	1B14
			47 28	1E01				17 45	1C02
E0004206091	SHAFT, LEVER מ"ר-פ"ק	Y00K2031	41 41	1D10				18 19	1C03
			42 41	1D11	E0005008445	ROD	Y00K2031	83 54	1G07
			44 41	1D13				16 22	1C01
E0004208075	SHAFT, LEVER מ"ר-פ"ק	Y00K2031	38 6	1D07	E0005009400	ROD	Y00K2031	14 11	1B15
E0004200009	PIN פ"ק	Y00K2031	19 4	1C04	E0005009445	ROD	Y00K2031	16 21	1C01
			20 14	1C05					
E0005008075	ROD מ"ר	Y00K2031	16 18	1C01	E0005009530	ROD	Y00K2031	16 20	1C01
			18 16	1C03	E0005505032	YOKE	Y00K2031	13 11	1B14
E0005008100	ROD מ"ר	Y00K2031	19 9	1C04				16 13	1C01

フォルダインデックス PART NO.	フォルダ DESCRIPTION	PC NO.	グループ GRP.	参照 REF.	場所 LOC. NO.	フォルダインデックス PART NO.	フォルダ DESCRIPTION	PC NO.	グループ GRP.	参照 REF.	場所 LOC. NO.
E0005505032	YOKE ヨーク	Y00K2031	17	17	1C02	E0007300030	クランプ CLAMP	Y00K2031	95	25	1H03
			18	11	1C03				96	22	1H04
			81	14	1G05	E0007300031	クランプ CLAMP	Y00K2031	32	13	1D01
			83	29	1G07						
E0007000001	コイル SPRING	Y00K2031	25	25	1C10				33	14	1D02
E0007000029	ボルト SPRING	Y00K2031	15	19	1B16	E0007900002	ボルト BOLT	Y00K2031	25	35	1C10
			17	16	1C02					44	1C10
			82	21	1G06	E0007900009	パイプ PIPE	Y00K2031	59	16	1E14
			83	28	1G07	E0007900014	ブーツ BOOT	Y00K2031	25	47	1C10
E0007000030	コイル SPRING	Y00K2031	39	16	1D08	E0007900016	ピン PIN	Y00K2031	25	41	1C10
			40	17	1D09						
			41	15	1D10	E0009101045	パイプ NIPPLE, PIPE	Y00K2031	29	1	1C14
			42	15	1D11						
			43	16	1D12	E0009101090	パイプ NIPPLE, PIPE	Y00K2031	28	8	1C13
			44	15	1D13						
E0007000031	コイル SPRING	Y00K2031	37	8	1D06	E0009900001	ホース NIPPLE, HOSE	Y00K2031	88	21	1G12
E0007200026	ホース NIPPLE, HOSE	Y00K2031	32	2	1D01	E0009900009	ホース NIPPLE, HOSE	Y00K2031	30	7	1C15
			33	2	1D02					31	4
			34	3	1D03					37	22
E0007200042	肘 ELBOW, LONG	Y00K2031	34	3	1D03					88	4
			35	13	1D04	E0064110100	ワイヤ WIRE	Y00K2031	25	46	1C10
			89	2	1G13						
E0007200054	肘 ELBOW, LONG	Y00K2031	30	8	1C15	E0064242200	ワイヤ WIRE	Y00K2031	46	47	1D15
			34	2	1D03					47	47
			35	12	1D04	E0069337100	ヤンマー YANMAR MARK	Y00K2031	55	11	1E10
			89	1	1G13						
E0007200087	プラグ PLUG	Y00K2031	8	14	1B09					33	1E10
E0007200088	フィッティング FITTINGS	Y00K2031	8	13	1B09	E0081400100	アイドル IDLER, FRONT	Y00K2031	56	11	1E11
E0007200090	バルブ VALVE, DRAIN	Y00K2031	38	11	1D07					78	14
E0007200097	コネクタ CONNECTOR	Y00K2031	30	4	1C15	E0083267100	スリーブ SLEEVE	Y00K2031	16	17	1C01
E0007200098	コネクタ CONNECTOR	Y00K2031	30	5	1C15					18	15
E0007200150	コネクタ CONNECTOR	Y00K2031	31	2	1C16	E0086202000	バケツ BUCKET (450)	Y00K2031	52	1	1E07
			88	2	1G12	E0086202108	ナイフ CUTTER, SIDE	Y00K2031	52	4	1E07
E0007212015	ブッシュ BUSH	Y00K2031	31	7	1C16					94	4
			88	7	1G12					15	1H02
E0007300006	クランプ CLAMP	Y00K2031	23	25	1C08	E0086203000	バケツ BUCKET (250)	Y00K2031	94	1	1H02
			24	25	1C09	E0086208000	バケツ BUCKET ASSY W350	Y00K2031	94	23	1H02
E0007300026	クランプ CLAMP	Y00K2031	96	23	1H04	E0086212000	バケツ BUCKET ASSY W350	Y00K2031	94	12	1H02

7"EHKHHHNNN"NNN		PC NO.	NNKIKKBN			7"EHKHHHNNN"NNN		PC NO.	NNKIKKBN		
PART NO.	DESCRIPTION		GRP.	REF.	LOC.NO.	PART NO.	DESCRIPTION		GRP.	REF.	LOC.NO.
E0086213000	BUCKET (300) HKKKT ASS'Y, 500	Y00K2031	94	34	1B02	E0091632100	T"NNKKT"KKKKT SPROCKET, DRIVE	Y00K2031	4	2	1B05
E0087030400	BUCKET (500) H-KKKT-KKKT GUARD, HOSE	Y00K2031	32	4	1B01	E0091635100	T"NNKKT"KKKKT SPROCKET	Y00K2031	78	26	1G02
E0091023100	E-KKKT-KKKT-(R) COVER (R), MOTOR	Y00K2031	33	4	1B02	E0092133100	KKKT LOCKER	Y00K2031	79	26	1G03
E0091023200	E-KKKT-KKKT-(L) COVER (L), MOTOR	Y00K2031	1	4	1B02	E0092213100	KKKT LOCK PIN	Y00K2031	1	17	1B02
E0091023300	KKKT SLIDE	Y00K2031	1	5	1B02	E0092310200	KKKT PINION, TURNING	Y00K2031	9	2	1B10
E0091026000	KKKT-KKKT CMP CRAWLER ASSY, RUBBER	Y00K2031	1	3	1B02	E0092310400	KKKT COUPLING	Y00K2031	10	2	1B11
E0091026800	KKKT SLIDE, SHOE	Y00K2031	79	1	1G03	E0092331200	KKKT-KKKT COVER, GREASE	Y00K2031	8	5	1B09
E0091027100	KKKT GUIDE, SHOE	Y00K2031	79	3	1G03	E009239020	KKKT-KKKT REDUCTION GEAR ASSY	Y00K2031	8	1	1B09
E0091030100	KKKT-KKKT FRAME, LOWER	Y00K2031	1	6	1B02	E0093056000	KKKT MAIN FRAME	Y00K2031	9	1	1B10
E0091031100	KKKT-KKKT FRAME, LOWER	Y00K2031	1	1	1B02	E0093058100	KKKT MAIN FRAME	Y00K2031	10	1	1B11
E0091090001	KKKT-KKKT ASSY	Y00K2031	78	2	1G02	E0093058100	KKKT MAIN FRAME	Y00K2031	11	1	1B12
E0091302200	KKKT SHAFT	Y00K2031	78	1	1G02	E0093111300	KKKT WASHER	Y00K2031	12	1	1B13
E0091303300	T"KKKT-KKKT- ROLLER, TRUCK	Y00K2031	78	7	1G02	E0093111300	KKKT WASHER	Y00K2031	9	12	1B10
E0091390000	T"KKKT-KKKT- ASSY ROLLER ASSY, TRUCK	Y00K2031	79	7	1G03	E0093147100	KKKT-KKKT BRACKET, BOOM	Y00K2031	10	12	1B11
E0091403100	KKKT BLOCK (R), BEARING	Y00K2031	78	6	1G02	E0093147100	KKKT-KKKT BRACKET, BOOM	Y00K2031	11	13	1B13
E0091403200	KKKT BLOCK (L), BEARING	Y00K2031	78	5	1G02	E0093148100	KKKT-KKKT-KKKT-KKKT COVER, SWING CYL.	Y00K2031	12	13	1B13
E0091404100	KKKT BEARING BLOCK (R)	Y00K2031	79	7	1G03	E0093208300	KKKT WASHER	Y00K2031	11	11	1B12
E0091404200	KKKT BEARING BLOCK (L)	Y00K2031	78	23	1G02	E0093208300	KKKT WASHER	Y00K2031	12	11	1B13
E0091490010	KKKT-KKKT ASSY IDLER ASSY, FRONT	Y00K2031	79	23	1G03	E0093270900	KKKT YOKE	Y00K2031	12	30	1B13
E0091500100	KKKT-KKKT SEAT, SPRING	Y00K2031	79	24	1G03	E0093270900	KKKT YOKE	Y00K2031	13	40	1B14
E0091500300	KKKT PIPE	Y00K2031	79	24	1G03	E0094021100	KKKT FOOT, ENGINE	Y00K2031	14	35	1B15
E0091502100	KKKT ROD	Y00K2031	3	12	1B04	E0094021100	KKKT FOOT, ENGINE	Y00K2031	15	55	1B16
E0091590000	KKKT ASS'Y, CUSHION ASSY	Y00K2031	3	13	1B04	E0094021700	KKKT-KKKT-KKKT COVER, ABSORBER	Y00K2031	17	48	1G02
			3	12	1B04	E0094022200	KKKT-KKKT-RL COVER, ABSORBER	Y00K2031	19	29	1C04
			78	12	1G02	E0094022200	KKKT-KKKT-RL COVER, ABSORBER	Y00K2031	81	36	1G05
			79	12	1G03				82	52	1G06
			3	24	1B04				83	57	1G07
			3	28	1B04				19	7	1C04
			3	25	1B04				20	10	1C05
			3	23	1B04				21	26	1C06
			3	23	1B04				22	24	1C07
			3	23	1B04				23	1	1C08
			3	23	1B04				23	9	1C08
			3	23	1B04				24	9	1C09
			3	23	1B04				23	3	1C08

PART NO.	DESCRIPTION	PC NO.	GRP.	REF.	LOC. NO.	PART NO.	DESCRIPTION	PC NO.	GRP.	REF.	LOC. NO.
E0094026100	FOOT, ENGINE RL エンジンフット RR ENGINE FOOT(RR)	Y00K2031	23	2	1C08	E0094590010	E-2-ASSY HEATER ASSY	Y00K2031	96	1	1H04
E0094026200	BRACKET, RADIATOR	Y00K2031	23	7	1C08	E0094590011	770222-ASSY DEFROSTER ASSY	Y00K2031	96	14	1H04
E0094026300	BRACKET, RADIATOR	Y00K2031	23	8	1C08	E0095053100	プレート PLATE	Y00K2031	30	1	1C15
E0094026400	BRACKET, RADIATOR フィルター BRACKET, FILTER	Y00K2031	38	34	1D07	E0096053200	カバー、ロッド COVER, ROD	Y00K2031	51	42	1E06
E0094026500	FOOT, ENGINE	Y00K2031	23	1-1	1C08	E0096055100	プロテクター PROTECTOR	Y00K2031	51	41	1E06
E0094027100	BRACKET, RADIATOR	Y00K2031	24	7	1C09	E0096090030	メインアームアッシー BOOM ASSY, MAIN	Y00K2031	48	1	1E03
E0094027300	ENGINE FOOT RL	Y00K2031	24	3	1C09	E0096090040	メインアームアッシー BOOM ASSY, MAIN	Y00K2031	49	1	1E04
E0094027400	BRACKET, RADIATOR	Y00K2031	24	8	1C09	E0096132500	ロックプレート (R) PLATE, LOCKER (R)	Y00K2031	50	1	1E05
E0094027600	プレート PLATE	Y00K2031	24	31	1C09				48	33	1E03
E0094290030	ワイヤーハーネスアッシー WIRE HARNESS ASSY	Y00K2031	26	1	1C11	E0096132600	ロックプレート (L) PLATE, LOCKER (L)	Y00K2031	49	33	1E04
E0094290040	ワイヤーハーネスアッシー WIRE HARNESS ASSY	Y00K2031	26	1-1	1C11				50	33	1E05
E0094290050	ワイヤーハーネスアッシー WIRE HARNESS ASSY	Y00K2031	27	1	1C12				51	33	1E06
E0094290070	ワイヤーハーネスアッシー WIRE HARNESS ASSY	Y00K2031	26	1-2	1C11	E0096190001	リンクアッシー ARM ASSY, LINK	Y00K2031	48	29-1	1E03
E0094290080	ワイヤーハーネスアッシー WIRE HARNESS ASSY	Y00K2031	26	1-3	1C11				49	29-1	1E04
E0094374100	ステッカー STICKER	Y00K2031	25	4	1C10	E0096190010	ブームアッシー、スティック BOOM ASSY, STICK	Y00K2031	50	29	1E05
E0094411300	ストリップ、ゴム STRIP, RUBBER	Y00K2031	26	26	1C11	E0096190020	アームアッシー ARM ASSY	Y00K2031	51	29	1E06
E0094420100	プレート PLATE	Y00K2031	27	26	1C12				48	21	1E03
E0094501100	E-2-カバー COVER, HEATER	Y00K2031	95	2	1H03	E0096234000	バケットアッシー W350 BUCKET ASSY, EJECTOR	Y00K2031	50	21	1E05
E0094501200	デフロスター DEFROSTER	Y00K2031	95	22	1H03	E0096236000	バケットアッシー W350 BUCKET ASSY, EJECTOR	Y00K2031	97	1-1	1H05
E0094502100	ブラケット L BRACKET, (L)	Y00K2031	96	30	1H04	E0096237000	バケットアッシー W350 BUCKET ASSY, EJECTOR	Y00K2031	98	34	1H06
E0094502200	ブラケット R BRACKET, (R)	Y00K2031	96	29	1H04	E0096290012	リンクアッシー ARM ASSY, LINK	Y00K2031	98	1	1H06
E0094502300	ジョイント JOINT	Y00K2031	96	28	1H04				97	9-1	1H05
E0094590000	E-2-アッシー HEATER ASSY	Y00K2031	95	1	1H03	E0096290030	E-2-アッシー EJECTOR ASSY	Y00K2031	98	6	1H06
E0094590001	デフロスターアッシー DEFROSTER ASSY	Y00K2031	95	17	1H03	E0096321100	ブレード BLADE	Y00K2031	5	1	1B06
						E0096325100	ブレード BLADE	Y00K2031	6	1	1B07

PART NO.	DESCRIPTION	PC NO.	GRP.	REF.	LOC.NO.	PART NO.	DESCRIPTION	PC NO.	GRP.	REF.	LOC.NO.
E0097022400	ホ-カホ-ト GUARD, HOSE	YOOK2031	33	3	1D02	E0097221600	ホ-カホ-ト (L) PIPE (L)	YOOK2031	7	4	1B08
E0097052100	ホ-カホ-ト PIPE, INLET	YOOK2031	32	1	1D01	E0097341800	クワツク CLAMP	YOOK2031	53	5	1E08
E0097052700	ホ-カホ-ト GUARD, HOSE	YOOK2031	32	3	1D01				54	12	1E09
E0097053200	コネツク CONNECTOR	YOOK2031	32	5	1D01	E0097348100	ホ-カホ-ト (アツツク) PIPE, STICK(R)	YOOK2031	91	12	1G15
E0097058100	マニホ-ド MANIFOLD	YOOK2031	33	5	1D02	E0097348200	ホ-カホ-ト (アツツク) PIPE, STICK(L)	YOOK2031	53	1	1E08
E0097058200	マニホ-ド MANIFOLD	YOOK2031	34	1	1D03	E0097348300	ホ-カホ-ト (ホツツク) PIPE, BUCKET(R)	YOOK2031	53	2	1E08
E0097062100	ホ-カホ-ト CLAMP, PIPE	YOOK2031	34	4	1D03	E0097348400	ホ-カホ-ト (ホツツク) PIPE, BUCKET(R)	YOOK2031	53	3	1E08
E0097062300	ホ-カホ-ト CLAMP, PIPE	YOOK2031	35	1	1D04	E0097351100	ホ-カホ-ト (ホツツク) PIPE, BUCKET(L)	YOOK2031	53	4	1E08
E0097062400	ホ-カホ-ト PIPE	YOOK2031	35	3	1D04	E0097351200	ホ-カホ-ト (ホツツク) PIPE, BUCKET(L)	YOOK2031	54	1	1E09
E0097062700	ホ-カホ-ト PIPE	YOOK2031	90	3	1G14	E0097351300	7-カホ-ト (R) PIPE, ARM(R)	YOOK2031	91	1	1G15
E0097062800	ホ-カホ-ト PIPE	YOOK2031	90	4	1G14	E0097351400	7-カホ-ト (L) PIPE, ARM(L)	YOOK2031	54	2	1E09
E0097062900	ホ-カホ-ト PIPE	YOOK2031	35	7	1D04	E0097351500	7-カホ-ト (R) PIPE, BOOM(R)	YOOK2031	91	3	1G15
E0097063000	ホ-カホ-ト PIPE	YOOK2031	90	7	1G14	E0097351600	7-カホ-ト (L) PIPE, BOOM(L)	YOOK2031	54	4	1E09
E0097063100	ホ-カホ-ト PIPE	YOOK2031	35	8	1D04	E0097351700	ツツク BOSS, MTG.	YOOK2031	91	5	1G15
E0097064500	ホ-カホ-ト CLAMP, PIPE	YOOK2031	35	9	1D04	E0097351800	ツツク PLATE, MTG.	YOOK2031	54	6	1E09
E0097064600	ホ-カホ-ト PIPE	YOOK2031	90	8	1G14	E0097353100	ホ-カホ-ト PIPE	YOOK2031	91	7	1G15
E0097064700	ホ-カホ-ト PIPE	YOOK2031	35	10	1D04	E0097353200	ホ-カホ-ト PIPE	YOOK2031	91	8	1G15
E0097065100	ホ-カホ-ト PIPING	YOOK2031	90	5	1G14	E0097353300	クワツク CLAMP	YOOK2031	91	27	1G15
E0097065200	ホ-カホ-ト PIPING	YOOK2031	90	6	1G14	E0098027200	ホ-カホ-ト PIPE	YOOK2031	91	28	1G15
E0097210300	ホ-カホ-ト GUARD, HOSE	YOOK2031	26	10	1G14	E0098027300	ホ-カホ-ト PIPE	YOOK2031	37	20	1D06
E0097221500	ホ-カホ-ト (R) PIPE (R)	YOOK2031	27	35	1C12	E0098029100	ホ-カホ-ト PIPE	YOOK2031	37	20-1	1D06
			95	4	1H03	E0098090030	ツツク TANK ASSY, HYD. OIL	YOOK2031	37	21	1D06
			96	4	1H04	E0098090040	ツツク TANK ASSY, HYD. OIL	YOOK2031	37	1	1D06
			7	3	1B08			YOOK2031	37	2	1D06

(MF NO. Y00K2031)

I 2J09 I

*** PARTS INDEX ***

86.10.17

P. 9

7"ע"ס ח"ח"כ"י"ק PART NO.	7"ע"ס ח"ח"כ"י"ק DESCRIPTION	PC NO.	קבוצה GRP.	מיקום REF.	מיקום LOC. NO.	7"ע"ס ח"ח"כ"י"ק PART NO.	7"ע"ס ח"ח"כ"י"ק DESCRIPTION	PC NO.	קבוצה GRP.	מיקום REF.	מיקום LOC. NO.
E0098134200	גל- STAY	Y00K2031	38	35	1007	E0098273900	גל-ש"ח"ח"כ"י"ק PLATE, STAGE	Y00K2031	40	8- 1	1009
E0098190030	תאכלוס דלק ASSY FUEL OIL TANK ASSY	Y00K2031	38	1	1007				41	3	1010
E0098256700	גל- HOOK	Y00K2031	39	21	1008				42	3	1011
									43	3- 1	1012
									44	3	1013
			40	22	1009	E0098274100	כסוי מרכז CENTER COVER	Y00K2031	40	2	1009
			41	20	1010						
			42	20	1011	E0098274200	כסוי הרצפה COVER, FLOOR	Y00K2031	40	4	1009
			43	21	1012						
			44	20	1013	E0098274300	כסוי תיבת כלים COVER, TOOL BOX	Y00K2031	39	7	1008
E0098257000	גל-ש"ח"ח"כ"י"ק PLATE, NUT	Y00K2031	39	22	1008				40	11	1009
									43	7	1012
			40	23	1009				40	41	1009
			41	21	1010	E0098274400	גל- COVER	Y00K2031			
			42	21	1011				41	23	1010
			43	22	1012				42	23	1011
			44	21	1013				44	23	1013
E0098257300	חלק-קישור LINK, COVER	Y00K2031	39	15	1008	E0098274800	כסוי מנוע COVER, ENGINE	Y00K2031	39	1- 1	1008
			40	16	1009				40	6- 1	1009
			43	15	1012				43	1- 1	1012
E0098273100	כסוי מנוע COVER, ENG.	Y00K2031	39	1	1008	E0098274900	חלק-קישור LINK, COVER	Y00K2031	39	15- 1	1008
			40	6	1009				40	15- 1	1009
			43	1	1012				43	14- 1	1012
E0098273200	כסוי מנוע (קדמי) COVER (FRONT), ENG.	Y00K2031	39	2	1008	E0098277100	כסוי מרכז CENTER COVER	Y00K2031	41	4	1010
			40	7	1009				42	4	1011
			43	2	1012				44	6	1013
E0098273300	כסוי מתחת UNDER COVER	Y00K2031	9	3	1010	E0098277400	כסוי מנוע (קדמי) COVER (FRONT), ENG.	Y00K2031	41	2	1010
			10	3	1011				42	2	1011
			11	3	1012				44	2	1013
			12	3	1013	E0098277500	כסוי מנוע COVER, ENG.	Y00K2031	41	1	1010
E0098273400	גל-ש"ח"ח"כ"י"ק PLATE, STAGE	Y00K2031	39	3	1008				42	1	1011
			40	8	1009				44	1	1013
			43	3	1012	E0098277600	כסוי הרצפה COVER, FLOOR	Y00K2031	41	11	1010
			40	4	1008				42	11	1011
E0098273500	כסוי מרכז CENTER COVER	Y00K2031	39	4	1008				44	11	1013
			43	4	1012				41	14	1010
E0098273600	גל- COVER	Y00K2031	39	5	1008	E0098277700	חלק-קישור LINK, COVER	Y00K2031			
			40	9	1009				42	16	1011
			41	5	1010				44	14	1013
			42	5	1011	E0098277800	חלק-קישור LINK, COVER	Y00K2031	41	13	1010
			43	5	1012				42	13	1011
			44	5	1013				44	13	1013
E0098273800	חלק-קישור COVER, LINK	Y00K2031	39	14	1008	E0098277900	כסוי מתחת UNDER COVER	Y00K2031	11	4	1012
			40	15	1009				12	4	1013
E0098273900	גל-ש"ח"ח"כ"י"ק PLATE, STAGE	Y00K2031	39	3- 1	1008	E0098290001	חלק- ASSY	Y00K2031	40	1	1009

PC NO.	DESCRIPTION	GRP.	REF.	LOC. NO.	PC NO.	DESCRIPTION	GRP.	REF.	LOC. NO.
E0098446500	COVER ASSY #0- HOOD	Y00K2031	45	10	1014	E0099390001	サブメカニカル SUB LABEL SET	Y00K2031	55 35 1E10
E0099323000	ラベル-マ-ク LABEL, YANMAR	Y00K2031	55	12	1E10	E0099390011	サブメカニカル SUB LABEL SET	Y00K2031	56 14 1E11
				34	1E10	E0099390051	サブメカニカル SUB LABEL SET	Y00K2031	57 15 1E12
				56	1E11				43 1E12
				57	1E12	E0099390061	サブメカニカル SUB LABEL SET	Y00K2031	58 17 1E13
				42	1E12				
E0099324100	ラベル-モデル LABEL, MODEL	Y00K2031	55	2	1E10	E0099390090	メカニカル(キャノピー) LABEL SET	Y00K2031	55 1 1E10
E0099324200	ストライプ B STRIPE(B)	Y00K2031	55	8	1E10	E0099390110	メカニカル LABEL SET	Y00K2031	56 1 1E11
				23	1E10	E0099390120	メカニカル(キャノピー) LABEL SET	Y00K2031	55 22 1E10
				30	1E10	E0099390310	メカニカル(キャノピー-マフラー) LABEL SET, CANOPY	Y00K2031	57 1 1E12
				56	1E11				
				57	1E12	E0099390320	メカニカル(キャノピー-マフラー) LABEL SET (CABIN SPEC)	Y00K2031	57 28 1E12
E0099324300	ストライプ C STRIPE(C)	Y00K2031	55	9	1E10	E0099390330	メカニカル LABEL SET	Y00K2031	58 1 1E13
				58	1E13	E0101013000	ラバー-カバー- COVER, UNDER	Y00K2031	1 2 1B02
				31	1E10	E0101015100	エ-クター-カバー-R COVER, MOTOR	Y00K2031	1 4- 1 1B02
E0099325100	ラベル-モデル LABEL, MODEL	Y00K2031	56	2	1E11				5- 1 1B02
E0099344200	サイドストライプ A SIDE STRIPE A	Y00K2031	55	3	1E10	E0101311200	シャフト SHAFT	Y00K2031	2 3 1B03
				24	1E10	E0101311300	シ-ムカバー- COVER, SEAL	Y00K2031	2 4 1B03
				56	1E11				
				57	1E12	E0101390000	トラックローラー-アッシー TRUCK ROLLER ASSY	Y00K2031	2 1 1B03
				32	1E12				
E0099344400	サイドストライプ C SIDE STRIPE C	Y00K2031	55	5	1E10	E0102211000	ロックピン LOCK PIN	Y00K2031	11 2 1B12
				58	1E13				12 2 1B13
				27	1E10	E0103112300	ブーム-ブラケット BRACKET, BOOM	Y00K2031	9 10 1B10
				56	1E11				
				57	1E12				10 10 1B11
				35	1E12	E0103113100	シリンダーカバー- COVER, CYL.	Y00K2031	10 28 1B11
E0099350100	ラベル-モデル LABEL, MODEL	Y00K2031	57	2	1E12	E0103113200	ワッシャー WASHER	Y00K2031	10 29 1B11
				29	1E12				12 31 1B13
				58	1E13				49 46 1E04
E0099350200	ラベル-モデル LABEL, MODEL	Y00K2031	57	4	1E12	E0103113300	ピン, シリンダーロッド PIN, CYLINDER ROD	Y00K2031	51 43 1E06
				31	1E12				9 13 1B10
				58	1E13				10 13 1B11
E0099350600	ストライプ C STRIPE, C	Y00K2031	57	11	1E12	E0103210400	レバー LEVER	Y00K2031	15 2 1B16
				39	1E12				82 10 1G06
E0099390001	サブメカニカル SUB LABEL SET	Y00K2031	55	13	1E10	E0103210500	レバー LEVER	Y00K2031	15 3 1B16
				58	1E13				82 11 1G06

(MF NO. Y00K2031)

↑-----↑
| 2J11 |
↑-----↑

*** PARTS INDEX ***

86.10.17

P. 11

PC NO.	GRP.	REF.	LOC. NO.	PART NO.	DESCRIPTION	PC NO.	GRP.	REF.	LOC. NO.
Y00K2031	17	46	1C02	E0103216200	レバー COVER, LEVER	Y00K2031	17	46	1C02
E0103211800			1C06		レバー LEVER	Y00K2031	83	55	1G07
			1B15	E0103216300	レバー STAND (R), LEVER	Y00K2031	15	1	1B16
E0103212500			1B16	E0103216400	レバー SHAFT	Y00K2031	15	7	1B16
			1G06			Y00K2031	82	15	1G06
E0103212600			1B16	E0103216600	レバー LEVER	Y00K2031	19	1	1C04
			1G06			Y00K2031	82	25	1G06
E0103212700			1B14	E0103216700	レバー LEVER	Y00K2031	19	2	1C04
			1G05			Y00K2031	81	15	1G05
E0103214600			1B14	E0103216800	レバー LEVER	Y00K2031	15	5	1B16
			1G05			Y00K2031	81	13	1G06
E0103214700			1C02	E0103216900	レバー LEVER	Y00K2031	19	12	1C04
			1G05			Y00K2031	81	10	1G05
E0103214800			1B14	E0103217300	レバー LEVER	Y00K2031	83	3	1G07
			1B15			Y00K2031	83	4	1G07
			1C03	E0103217400	レバー LEVER	Y00K2031	83	5	1G07
			1G05	E0103217500	レバー(L) LEVER(L)	Y00K2031	83	5	1G07
E0103214900			1C06	E0103217600	レバー(R) LEVER(R)	Y00K2031	82	3	1G06
			1B14	E0103217900	レバー BRACKET (R), LEVER	Y00K2031	82	4	1G06
E0103215000			1B16	E0103218000	レバー YOKE, LEVER	Y00K2031	82	5	1G06
			1G05			Y00K2031	81	7	1G07
E0103215100			1B16	E0103218300	レバー LEVER	Y00K2031	14	7	1B15
			1G06			Y00K2031	82	14	1G06
E0103215200			1C02	E0103218500	レバー LOCK (R), LEVER	Y00K2031	81	5	1G05
			1G07			Y00K2031	82	6	1G06
E0103215400			1C04	E0103219000	レバー LEVER	Y00K2031	83	18	1G07
			1C05			Y00K2031	83	19	1G07
E0103215500			1C04	E0103219100	ピン PIN	Y00K2031	16	12	1C01
			1C04	E0103219200	キャッチ CATCH	Y00K2031	16	12	1C01
E0103215600			1C04			Y00K2031	18	10	1C03
			1C04			Y00K2031	19	3-1	1C04
E0103215700			1B14			Y00K2031	20	9	1C05
			1G05			Y00K2031	83	2	1G07
E0103215800			1C02	E0103220100	レバー STAND (L), LEVER	Y00K2031	83	2	1G07
			1G05			Y00K2031	82	2	1G06
E0103215900			1B16	E0103220200	レバー STAND (R), LEVER	Y00K2031	82	2	1G06
			1G06			Y00K2031	14	9	1B15
E0103216000			1B14	E0103220300	レバー LEVER	Y00K2031	14	9	1B15
			1G06			Y00K2031	81	2	1G05
			1G05	E0103220400	レバー BRACKET (L), LEVER	Y00K2031	83	6	1G07
E0103216100			1C02			Y00K2031	83	6	1G07

PART NO.	DESCRIPTION	PC NO.	GRP.	REF.	LOC. NO.	PART NO.	DESCRIPTION	PC NO.	GRP.	REF.	LOC. NO.
ED103220500	レバー-ブラケット BRACKET, LEVER	Y00K2031	14	6	1B15	ED103223700	レバー-シャフト LEVER SHAFT	Y00K2031	22	26	1C07
						ED103224000	プレート PLATE	Y00K2031	16	8	1C01
ED103220600	レバー LEVER	Y00K2031	14	8	1B15				18	5	1C03
						ED103224200	レバー LEVER	Y00K2031	16	10	1C01
ED103220700	ロック(L) LOCK (L), LEVER	Y00K2031	83	8	1G07				18	7	1C03
ED103220900	レバー LEVER	Y00K2031	82	7	1G06	ED103224300	ブロック BLOCK	Y00K2031	20	4	1C05
									22	27	1C07
ED103221000	パイプ PIPE, CHANGE	Y00K2031	83	10	1G07	ED103224400	レバー-ブラケット(R) BRACKET, LEVER (R)	Y00K2031	16	7	1C01
ED103221100	プレート(L) PLATE (L), STOPPER	Y00K2031	83	17	1G07	ED103224500	レバー-ブラケット(L) BRACKET, LEVER (L)	Y00K2031	18	4	1C03
ED103221200	プレート(R) PLATE (R), STOPPER	Y00K2031	82	8	1G06	ED103224600	レバー LEVER	Y00K2031	16	9	1C01
ED103221300	レバー LEVER	Y00K2031	83	21	1G07				18	6	1C03
ED103221400	ロッド ROD	Y00K2031	83	11	1G07	ED103224700	レバー LEVER	Y00K2031	16	49	1C01
									18	23	1C03
ED103221500	ペダル PEDAL, SWING	Y00K2031	19	11	1C04	ED103224800	スイングペダル SWING PEDAL	Y00K2031	20	6	1C05
ED103222200	レバースタンド(R) LEVER STAND (R)	Y00K2031	16	1	1C01	ED103224900	スイングロックプレート SWING LOCK PLATE	Y00K2031	20	8	1C05
ED103222300	レバースタンド(L) LEVER STAND (L)	Y00K2031	18	1	1C03	ED103225400	カバー COVER	Y00K2031	16	11	1C01
ED103222400	レバー LEVER	Y00K2031	20	1	1C05				18	8	1C03
ED103222500	レバー LEVER	Y00K2031	16	2	1C01	ED103225500	カバー COVER	Y00K2031	18	21	1C03
ED103222600	レバー LEVER	Y00K2031	16	3	1C01	ED103225600	ボルト-ストッパー BOLT, STOPPER	Y00K2031	16	46	1C01
ED103222700	レバー LEVER	Y00K2031	14	2	1B15	ED103225700	ボルト-ストッパー BOLT, STOPPER	Y00K2031	18	46	1C03
									16	45	1C01
ED103222800	レバー LEVER	Y00K2031	14	3	1B15				18	47	1C03
ED103222900	レバー LEVER	Y00K2031	14	4	1B15	ED103225800	プレート、レバー PLATE, LEVER	Y00K2031	14	1	1B15
ED103223000	レバー LEVER	Y00K2031	18	2	1C03	ED103225900	ラベル LABEL	Y00K2031	18	50	1C03
ED103223100	レバー LEVER	Y00K2031	16	4	1C01	ED103226000	ラベル LABEL	Y00K2031	18	51	1C03
ED103223200	レバー LEVER	Y00K2031	16	5	1C01	ED1032290011	レバーアッシー、クイックチェンジ LEVER ASSY, QUICK CH.	Y00K2031	81	1	1G05
ED103223300	レバー LEVER	Y00K2031	18	3	1C03				82	1	1G06
									83	1	1G07
ED103223400	レバー LEVER	Y00K2031	16	6	1C01	ED103310100	レバー-ブラケット BRACKET, LEVER	Y00K2031	21	1	1C06
ED103223500	レバー LEVER	Y00K2031	20	2	1C05				22	1	1C07
ED103223600	レバー LEVER	Y00K2031	22	25	1C07	ED103310200	レバー LEVER	Y00K2031	21	2	1C06
ED103223700	レバー LEVER	Y00K2031	20	3	1C05	ED103310300	レバー LEVER	Y00K2031	22	2	1C07
									21	3	1C06

(MF NO. Y00K2031)

↑-----↑
1 2J13 1
↑-----↑

*** PARTS INDEX ***

86.10.17

P. 13

PART NO.	DESCRIPTION	PC NO.	GRP.	REF.	LOC. NO.	PART NO.	DESCRIPTION	PC NO.	GRP.	REF.	LOC. NO.
E0103310300	レバ LEVER	Y00K2031	22	3	1C07	E0106190001	アーム-6 ASSY ARM ASSY, LINK	Y00K2031	49	29	1E04
E0104112100	パイプ PIPE	Y00K2031	25	20	1C10	E0107010100	パイプ-17° PIPE, INLET	Y00K2031	33	1	1D02
E0104211600	ランプガード LAMP GUARD	Y00K2031	26	2	1C11	E0107013800	パイプ PIPING	Y00K2031	90	20	1G14
E0104212100	ワイヤ-ワイパー HARNES, WIPER	Y00K2031	27	2	1C12	E0107013900	パイプ PIPING	Y00K2031	90	21	1G14
E0104212300	ワイヤ WIRE	Y00K2031	46	45	1D15	E0107014400	パイプ PIPING	Y00K2031	90	1	1G14
E0104212400	ラジオカバー COVER, RADIO	Y00K2031	47	45	1E01	E0107014600	クランプ, パイプ CLAMP, PIPING	Y00K2031	90	17	1G14
E0104212500	ワイヤ WIRE	Y00K2031	95	13	1H03	E0107014700	パイプ PIPING	Y00K2031	90	22	1G14
E0104212600	ワイヤ WIRE	Y00K2031	96	10	1H04	E0107014800	パイプ PIPING	Y00K2031	90	18	1G14
E0104212600	ワイヤ WIRE	Y00K2031	84	2	1G08	E0107014900	パイプ PIPING	Y00K2031	90	19	1G14
E0104212600	ワイヤ WIRE	Y00K2031	85	2	1G09	E0108110200	タンク TANK	Y00K2031	38	3	1D07
E0104212600	ワイヤ WIRE	Y00K2031	46	83	1D16	E0108110300	タンク TANK	Y00K2031	38	10	1D07
E0104214200	ワイヤ WIRE	Y00K2031	47	83	1E02	E0108111300	ジョイント JOINT	Y00K2031	38	12	1D07
E0104216100	ワイヤ-ワイパー WIRE HARNES	Y00K2031	95	12	1H03	E0108211700	ゲージ, レベル GAUGE, LEVEL	Y00K2031	43	14	1D12
E0104216200	ワイヤ-ワイパー WIRE HARNES	Y00K2031	47	97	1E02	E0108211800	リンク, カバー LINK, COVER	Y00K2031	39	18	1D08
E0104290002	ラジオ ASSY	Y00K2031	47	94	1E02		プレート, ナット PLATE, NUT				
E0104290003	ラジオ ASSY	Y00K2031	84	1	1G08				40	19	1D09
E0104290012	ラジオ ASSY	Y00K2031	41	17					41	17	1D10
E0104390010	コントロールパネル ASSY	Y00K2031	42	17					42	17	1D11
E0105011100	パイプ, ジョイント	Y00K2031	43	18					43	18	1D12
E0105100100	アングル	Y00K2031	44	17					44	17	1D13
E0106014100	カバー, ブームシリンダー	Y00K2031	85	1	1G09	E0108211900	プレート, ラバー PLATE, RUBBER	Y00K2031	39	19	1D08
E0106014200	カバー, ブームシリンダー	Y00K2031	25	1	1C10				40	20	1D09
E0106014300	カバー, ブームシリンダー	Y00K2031	41	18					41	18	1D10
E0106014400	カバー, ブームシリンダー	Y00K2031	42	18					42	18	1D11
E0106190001	アーム ASSY, LINK	Y00K2031	43	19					43	19	1D12
			44	18					44	18	1D13
			88	5	1G12	E0108213500	ステー, アングル STAY, ANGLE	Y00K2031	39	6	1D08
			88	19	1G12				40	10	1D09
			49	44-1	1E04				41	6	1D10
			49	45	1E04				42	6	1D11
			49	44	1E04	E0108213600	カバー, フLOOR COVER, FLOOR	Y00K2031	43	6	1D12
			49	45-1	1E04	E0108213700	スタンド STAND	Y00K2031	44	6	1D13
			48	29	1E03	E0108213800	アーム ASSY, LINK ARM ASSY, LINK	Y00K2031	39	12	1D08
			48	29	1E03				39	9	1D08

PC NO.	DESCRIPTION	GRP.	REF.	LOC. NO.	PART NO.	DESCRIPTION	PC NO.	GRP.	REF.	LOC. NO.	
E0108213800	COVER, CONTROL	Y00K2031	40	12	1D09	E0108218500	STAND	Y00K2031	44	8	1D13
			43	9	1D12	E0108218800	NONSLIP SEAT	Y00K2031	41	44	1D10
E0108213900	COVER, TOOL BOX	Y00K2031	39	7-1	1D08				42	44	1D11
			40	11-1	1D09				44	44	1D13
			41	7	1D10				47	95	1E02
			42	7	1D11	E0108410500	CANOPY	Y00K2031	45	8	1D14
			43	7-1	1D12						
E0108214200	GUARD, FRONT	Y00K2031	39	10	1D08	E0108410600	BOLT	Y00K2031	45	12	1D14
			40	13	1D09	E0108411300	POLE(R)	Y00K2031	45	4	1D14
			41	46	1D10	E0108411400	POLE(L)	Y00K2031	45	6	1D14
E0108215500	GUARD, FRONT	Y00K2031	43	10	1D12	E0108412100	POLE(R)	Y00K2031	45	5	1D14
			44	46	1D13	E0108412200	POLE(L)	Y00K2031	45	7	1D14
E0108216100	PLATE, STAGE	Y00K2031	39	11	1D08	E0108412300	CANOPY	Y00K2031	45	9	1D14
			40	14	1D09						
			41	10	1D10	E0108610200	DOOR	Y00K2031	47	3	1E01
			42	10	1D11						
E0108216200	MAT, FLOOR	Y00K2031	39	13	1D08	E0108610300	SASH, FRONT	Y00K2031	46	5	1D15
			43	13	1D12	E0108610400	H-RUBBER, (FRONT)	Y00K2031	47	5	1E01
E0108217200	STAND	Y00K2031	40	3	1D09				46	6	1D15
E0108217300	MAT, FLOOR	Y00K2031	40	5	1D09	E0108610500	SASH, SIDE	Y00K2031	47	6	1E01
			41	12	1D10	E0108610600	H-RUBBER(SIDE)	Y00K2031	46	7	1D15
			42	12	1D11				47	7	1E01
E0108217500	COVER, CONTROL	Y00K2031	39	9-1	1D08	E0108610700	GLASS(DOOR)	Y00K2031	46	8	1D15
			40	12-1	1D09				47	8	1E01
			43	9-1	1D12	E0108610800	H-RUBBER, DOOR	Y00K2031	47	9	1E01
E0108217600	STAND	Y00K2031	39	8-1	1D08	E0108610900	GLASS(REAR)	Y00K2031	46	10	1D15
			43	8-1	1D12				47	10	1E01
E0108217700	STAND	Y00K2031	40	3-1	1D09	E0108611000	H-RUBBER, REAR	Y00K2031	46	12	1D15
E0108218300	HINGE	Y00K2031	41	16	1D10	E0108611100	GLASS(L.H. SIDE)	Y00K2031	47	12	1E01
			42	16	1D11				47	13	1E01
			44	16	1D13	E0108611200	H-RUBBER, LEFT SIDE	Y00K2031	46	30	1D15
E0108218400	COVER, CONTROL	Y00K2031	41	9	1D10	E0108611300	SOUND ABSORBER	Y00K2031	47	30	1E01
			42	9	1D11				46	31	1D15
E0108218500	STAND	Y00K2031	41	8	1D10	E0108611400	SOUND ABSORBER	Y00K2031	46	31	1D15
			42	8	1D11						

PC NO.	DESCRIPTION	GRP.	REF.	LOC. NO.	PC NO.	DESCRIPTION	GRP.	REF.	LOC. NO.
Y00K2031	SOUND ABSORBER	47	31	1E01	Y00K2031	SOUND ABSORBER	55	4	1E10
Y00K2031	SOUND ABSORBER	47	32	1E01	Y00K2031	SOUND ABSORBER	56	4	1E11
Y00K2031	SOUND ABSORBER	47	33	1E01	Y00K2031	SOUND ABSORBER	57	6	1E12
Y00K2031	SOUND ABSORBER	47	34	1E01	Y00K2031	SOUND ABSORBER	58	7	1E13
Y00K2031	SOUND ABSORBER	47	35	1E01	Y00K2031	SOUND ABSORBER	55	6	1E10
Y00K2031	SOUND ABSORBER	47	36	1E01	Y00K2031	SOUND ABSORBER	56	6	1E11
Y00K2031	SOUND ABSORBER	46	35	1D15	Y00K2031	SOUND ABSORBER	57	8	1E12
Y00K2031	SOUND ABSORBER	46	36	1D15	Y00K2031	SOUND ABSORBER	58	9	1E13
Y00K2031	SOUND ABSORBER	47	36	1E01	Y00K2031	SOUND ABSORBER	55	7	1E10
Y00K2031	SOUND ABSORBER	46	37	1D15	Y00K2031	SOUND ABSORBER	29		1E10
Y00K2031	SOUND ABSORBER	47	37	1E01	Y00K2031	SOUND ABSORBER	56	7	1E11
Y00K2031	SOUND ABSORBER	46	38	1D15	Y00K2031	SOUND ABSORBER	57	9	1E12
Y00K2031	SOUND ABSORBER	47	38	1E01	Y00K2031	SOUND ABSORBER	37		1E12
Y00K2031	SOUND ABSORBER	46	38	1D15	Y00K2031	SOUND ABSORBER	58	10	1E13
Y00K2031	SOUND ABSORBER	47	38	1E01	Y00K2031	SOUND ABSORBER	55	10	1E10
Y00K2031	COVER, INSPECTION	46	82	1D16	Y00K2031	COVER, INSPECTION	58	13	1E13
Y00K2031	COVER, INSPECTION	47	82	1E02	Y00K2031	COVER, INSPECTION	56	10	1E11
Y00K2031	COVER, INSPECTION	46	3	1D15	Y00K2031	COVER, INSPECTION	57	12	1E12
Y00K2031	COVER, INSPECTION	46	4	1D15	Y00K2031	COVER, INSPECTION	40		1E12
Y00K2031	COVER, INSPECTION	46	4	1D15	Y00K2031	COVER, INSPECTION	58	13	1E13
Y00K2031	COVER, INSPECTION	46	9	1D15	Y00K2031	COVER, INSPECTION	57	13	1E12
Y00K2031	COVER, INSPECTION	46	11	1D15	Y00K2031	COVER, INSPECTION	41		1E12
Y00K2031	COVER, INSPECTION	46	13	1D15	Y00K2031	COVER, INSPECTION	58	14	1E13
Y00K2031	COVER, INSPECTION	46	13	1D15	Y00K2031	COVER, INSPECTION	55	44	1E10
Y00K2031	COVER, INSPECTION	46	84	1D16	Y00K2031	COVER, INSPECTION	56	23	1E11
Y00K2031	COVER, INSPECTION	47	84	1E02	Y00K2031	COVER, INSPECTION	57	56	1E12
Y00K2031	COVER, INSPECTION	46	32	1D15	Y00K2031	COVER, INSPECTION	58	30	1E13
Y00K2031	COVER, INSPECTION	46	32	1D15	Y00K2031	COVER, INSPECTION	56	13	1E11
Y00K2031	COVER, INSPECTION	46	33	1D15	Y00K2031	COVER, INSPECTION	58	16	1E13
Y00K2031	COVER, INSPECTION	46	33	1D15	Y00K2031	COVER, INSPECTION	55	25	1E10
Y00K2031	COVER, INSPECTION	46	34	1D15	Y00K2031	COVER, INSPECTION	57	33	1E12
Y00K2031	COVER, INSPECTION	46	34	1D15	Y00K2031	COVER, INSPECTION	55	26	1E10
Y00K2031	COVER, INSPECTION	47	20	1E01	Y00K2031	COVER, INSPECTION	57	34	1E12
Y00K2031	COVER, INSPECTION	47	86	1E02	Y00K2031	COVER, INSPECTION	57	3	1E12
Y00K2031	COVER, INSPECTION	47	87	1E02	Y00K2031	COVER, INSPECTION	30		1E12
Y00K2031	COVER, INSPECTION	46	1	1D15	Y00K2031	COVER, INSPECTION	58	4	1E13
Y00K2031	COVER, INSPECTION	46	1	1D15	Y00K2031	COVER, INSPECTION	58	3	1E13
Y00K2031	COVER, INSPECTION	47	1	1E01	Y00K2031	COVER, INSPECTION	97	4	1H05
Y00K2031	COVER, INSPECTION	59	7	1E14	Y00K2031	COVER, INSPECTION	98	4	1H06
Y00K2031	COVER, INSPECTION	59	7	1E14	Y00K2031	COVER, INSPECTION	37		1H06

PC NO.	DESCRIPTION	GRP.	REF.	LOC. NO.	PC NO.	DESCRIPTION	GRP.	REF.	LOC. NO.		
E0116210613	CUTTER, SIDE 71-λ ASSY (L) CUTTER, SIDE	Y00K2031	97	5	1H05	E0136290003	TEETH ASSY 71-λ ASSY	Y00K2031	94	5	1H02
									16		1H02
									27		1H02
									38		1H02
E0131420200	SHAFT	Y00K2031	78	13	1G02			97	19		1H05
								98	19		1H06
									52		1H06
E0136209801	SHIM (T=0.8)	Y00K2031	52	9	1E07	E0137241100	GUARD, HOSE	Y00K2031	7	11	1B08
						E0141400200	SHAFT, IDLER	Y00K2031	3	3	1B04
						E0141490000	IDLER ASSY, FRONT	Y00K2031	3	1	1B04
						E0143272100	COVER	Y00K2031	15	15	1B16
									16	16	1C01
									17	12	1C02
E0136209802	SHIM (T=1.0)	Y00K2031	52	10	1E07				18	14	1C03
									82	18	1C06
									83	25	1C07
						E0144055100	STOPPER	Y00K2031	23	4	1C08
									24	4	1C09
						E0144055300	SHIM 1.6T	Y00K2031	23	5	1C08
									24	5	1C09
E0136209803	SHIM (T=1.2)	Y00K2031	52	11	1E07	E0144055400	SHIM 2.3T	Y00K2031	23	6	1C08
									24	6	1C09
						E0144102100	LEVER	Y00K2031	25	24	1C10
						E0144263400	HARNESS, BOOM LIGHT	Y00K2031	86	4	1G10
									87	7	1G11
E0136209900	TEETH	Y00K2031	52	6	1E07	E0144266100	PROTECTOR, BOOM LIGHT	Y00K2031	86	10	1G10
						E0144290011	LAMP ASSY, ROOM	Y00K2031	86	1	1G10
						E0145251100	HOUSING, ENGINE	Y00K2031	36	1	1D05
						E0145251200	FLANGE	Y00K2031	36	2	1D05
						E0147351300	PROTECTOR, PIPE	Y00K2031	91	30	1G15
E0136290000	EJECTOR ASSY	Y00K2031	97	6	1H05	E0147354400	CLAMP, PIPE	Y00K2031	54	11	1E09
									91	11	1G15
E0136290001	EJECTOR LINK ASSY	Y00K2031	97	13	1H05	E0147354500	PROTECTOR, PIPE	Y00K2031	54	10	1E09
									91	10	1G15
E0136290002	ARM ASSY, LINK	Y00K2031	97	9	1H05	E0147354800	PLATE, MTG.	Y00K2031	54	9	1E09
E0136290003	71-λ ASSY	Y00K2031	52	5	1E07				91	9	1G15

(MF NO. Y00K2031)

2K01

*** PARTS INDEX ***

86.10.17

P. 17

PC NO.	DESCRIPTION	GRP.	REF.	LOC. NO.	PART NO.	DESCRIPTION	PC NO.	GRP.	REF.	LOC. NO.
Y00K2031	PLATE, MTG. PLATE	46	21	1D15	E0223224700	PLUG PIN	Y00K2031	15	16	1B16
E0148616100		47	21	1E01				17	13	1C02
Y00K2031	ロー-ブラケット BRACKET, ROLLER	2	10	1B03				82	19	1G06
E0161308300		3	11	1B04				83	26	1G07
Y00K2031		78	29	1G02	E0224111100	スタブ STAY	Y00K2031	25	36	1C10
E0161415600	コリヤ COLLAR	79	29	1G03	E0228010200	フランジ FLANGE	Y00K2031	37	5	1D06
Y00K2031		3	11	1B04						
E0161416300	ワッシャー WASHER	78	15	1G02	E0228632300	カバー COVER	Y00K2031	46	20	1D15
Y00K2031		79	15	1G03	E0255290000	カップリングアッシー COUPLING ASSY	Y00K2031	36	3	1D05
E0161506100	コイルスプリング SPRING	3	4	1B04	E0261501100	クワリ-シリンダー CYLINDER	Y00K2031	3	15	1B04
Y00K2031		78	16	1G02	E0261501200	ピストン PISTON	Y00K2031	3	16	1B04
E0163201620	ワッシャー WASHER	79	16	1G03	E0268211000	キャッチ CATCH	Y00K2031	19	3	1C04
Y00K2031		3	26	1B04						
E0163209400	ストップ STOPPER	13	10	1B14	E0268601600	ヒンジ HINGE	Y00K2031	46	22	1D15
Y00K2031		15	21	1B16				47	22	1E01
E0163216200	ワッシャー WASHER	19	6	1C04	E0268623600	シール SEAL	Y00K2031	46	29	1D15
Y00K2031		21	4	1C06						
E0163216200		22	4	1C07	E0268626900	ゴムシール SEAL, RUBBER	Y00K2031	46	62	1D15
Y00K2031		81	13	1G05	E0307002200	エルボ ELBOW	Y00K2031	33	26	1D02
E0163216200		82	23	1G06	E0543203100	ブーツ BOOT, LEVER	Y00K2031	15	14	1B16
Y00K2031		13	17	1B14						
E0164108400	ピン PIN	15	26	1B16				16	15	1C01
Y00K2031		16	26	1C01				17	11	1C02
E0168106300	ガスケット GASKET	17	22	1C02				18	13	1C03
Y00K2031		18	26	1C03				82	17	1G06
E0188612200	ボルト BOLT	20	28	1C05				83	24	1G07
Y00K2031		21	7	1C06				15	9	1B16
E0188612300	距離 DISTANCE	22	7	1C07	E0543205400	ブラケット (R) BLACKET (R)	Y00K2031	17	6	1C02
Y00K2031		29	1C07		E0543205500	ブラケット (L) BRACKET (L), LEVER	Y00K2031	13	6	1B14
E0188612400	ボルト BOLT	82	28	1G06	E0543205800	レバー LEVER	Y00K2031	13	7	1B14
Y00K2031		83	33	1G07	E0543205900	ブラケット BLACKET	Y00K2031	13	9	1B14
E0218010900	ボルト BOLT	47	16	1E01	E0543206000	レバー (R) LEVER (R)	Y00K2031	13	8	1B14
Y00K2031		46	19	1D15	E0543206100	レバー (L) LEVER (L)	Y00K2031	15	11	1B16
E0218010900		47	19	1E01	E0543206200	ロック (R) LOCK (R), LEVER	Y00K2031	17	8	1C02
Y00K2031		46	15	1D15	E0543206300	ロック (L) LOCK (L), LEVER	Y00K2031	15	12	1B16
E0218010900		47	15	1E01	E0543207700	レバー LEVER	Y00K2031	15	12	1B16
Y00K2031		37	7	1D06						

PC NO.	DESCRIPTION	PC NO.	GRP.	REF.	LOC. NO.	PC NO.	DESCRIPTION	PC NO.	GRP.	REF.	LOC. NO.
E0543207700	LEVER	Y00K2031	17	9	1C02	E0568611400	LINK	Y00K2031	46	24	1D15
E0543208700	YOKE (L), LEVER	Y00K2031	17	7	1C02	E0568611500	PISTON	Y00K2031	47	24	1E01
E0543208800	YOKE (R), LEVER	Y00K2031	15	10	1B16	E0568611600	SPRING	Y00K2031	46	26	1D15
E0543208900	LEVER	Y00K2031	15	13	1B16				47	26	1E01
			16	14	1C01	E0568611700	PIN	Y00K2031	46	27	1D15
			17	10	1C02				47	27	1E01
			18	12	1C03				47	27	1E01
			20	11	1C05	E0850773900	CLAMP	Y00K2031	53	6	1E08
			82	16	1G06						
E0543209000	LEVER (R)	Y00K2031	15	8	1B16	E1100031020	BOLT M10X 20	Y00K2031	24	27	1C09
E0543209100	LEVER (L)	Y00K2031	17	5	1C02	E1100040612	BOLT M 6X 12	Y00K2031	85	14	1G09
E0544101200	LEVER (L)	Y00K2031	25	21	1C10	E1100040616	BOLT	Y00K2031	14	27	1B15
E0544101300	DISK	Y00K2031	25	22	1C10				16	34	1C01
E0544190000	ENGINE CONTROL SET	Y00K2031	25	19	1C10	E1100040620	BOLT M 6X 20	Y00K2031	22	17	1C07
E0544202600	BRACKET, LAMP	Y00K2031	87	6	1G11	E1100040625	BOLT	Y00K2031	17	47	1C02
E0544301300	STAY	Y00K2031	84	3	1G08						
E0544501100	PLUG RUBBER	Y00K2031	85	3	1G09	E1100040812	BOLT M 8X 12	Y00K2031	27	10	1C12
E0548000200	FLANGE	Y00K2031	96	3	1H04	E1100040814	BOLT M 8X 14	Y00K2031	85	11	1G09
E0548102300	COVER, FUEL	Y00K2031	37	6	1D06	E1100040816	BOLT M 8X 16	Y00K2031	22	16	1C07
E0548205300	SEAT	Y00K2031	39	20	1D08				11	29	1B12
E0548205400	HINGE	Y00K2031	39	17	1D08				14	28	1B15
			40	21	1D09				16	35	1C01
			41	19	1D10				18	35	1C03
			42	19	1D11				32	21	1D01
			43	20	1D12				33	22	1D02
			44	19	1D13				47	88	1E02
			40	18	1D09	E1100040820	BOLT 8X20	Y00K2031	96	24	1H04
			43	17	1D12				9	5	1B10
E0548608700	ROOF COVER	Y00K2031	46	14	1D15				10	5	1B11
E0548613500	PISTON	Y00K2031	47	14	1E01				11	6	1B12
E0567311800	RUBBER	Y00K2031	46	25	1D15				12	6	1B13
			47	14	1E01					33	1B13
			91	31	1G15				24	19	1C09
									41	31	1D10

(MF NO.YOOK2031)

↑-----↑
I 2K03 I
↑-----↑

*** 7"EBH" H"O"K"O"J"O"K"O" PARTS INDEX ***

86.10.17

7"EBH" H"O"K"O"J"O"K"O" PART NO.	7"EBH" H"O"K"O"J"O"K"O" DESCRIPTION	PC NO.	7"EBH" H"O"K"O"J"O"K"O" GRP. REF.	7"EBH" H"O"K"O"J"O"K"O" LOC. NO.	7"EBH" H"O"K"O"J"O"K"O" PART NO.	7"EBH" H"O"K"O"J"O"K"O" DESCRIPTION	PC NO.	7"EBH" H"O"K"O"J"O"K"O" GRP. REF.	7"EBH" H"O"K"O"J"O"K"O" LOC. NO.
E1100040820	BOLT M 8X 20 ホ"ル 8X20	YOOK2031	42 31 44 31 88 29 96 11	1D11 1D13 1G12 1H04	E1100051020 E1100051025	BOLT M10X 20 ホ"ル M10X 20 ホ"ル M10X 25 BOLT M10X 25	YOOK2031 YOOK2031	12 19 37 18	1B13 1D06
E1100040822	ホ"ル M 8X 22	YOOK2031	20 27	1C05				71 24 79 27	1D06 1F11 1G03
E1100040830	BOLT M 8X 22 ホ"ル M 8X 20 BOLT M 8X 20	YOOK2031	35 25	1D04	E1100051235	ホ"ル M12X 35 BOLT M12X 35	YOOK2031	11 17	1B12
E1100040840	ホ"ル M 8X 40	YOOK2031	53 14 90 16	1E08 1G14	E1100051250	ホ"ル 12X50 BOLT M12X 50	YOOK2031	12 17 1 15	1B13 1B02
E1100041016	BOLT M 8X 40 ホ"ル M10X 16 BOLT M10X 16	YOOK2031	27 9	1C12	E1101041250	ホ"ル M12X50 BOLT M12X50	YOOK2031	23 12	1C08
E1100041018	ホ"ル M10X 18 BOLT M10X 18	YOOK2031	51 44 35 21	1E06 1D04	E1101051225	ホ"ル M12X25 BOLT M12X25	YOOK2031	24 12 1 19	1C09 1B02
E1100041020	ホ"ル M10X20 BOLT M10X 20	YOOK2031	90 12 9 6	1G14 1B10	E1101051235	6"ボ"ル M12X35 P=1.5 BOLT M12X35	YOOK2031	8 20 2 11 9 16	1B09 1B03 1B10
			10 6 11 7 12 7	1B11 1B12 1B13	E1101051240	ネツゾ"ル M12X40 BOLT M12X40	YOOK2031	10 16 3 29	1B11 1B04
			24 13 27 36 41 32	1C09 1C12 1D10	E1101051245	6"ボ"ル M12X45 P=1.5 BOLT M12X35	YOOK2031	52 7 94 7	1E07 1H02
E1100041025	ホ"ル BOLT	YOOK2031	42 32 44 32 14 29	1D11 1D13 1B15				18 29 40	1H02 1H02 1H02
			16 36 18 36 41 33 42 33 44 33	1C01 1C03 1D10 1D11 1D13	E1101051250	ホ"ル BOLT	YOOK2031	97 21 98 21 54	1H05 1H06 1H06
			88 28	1G12	E1101051260	ホ"ル BOLT	YOOK2031	78 30 79 30	1G02 1G03
E1100041225	ホ"ル M12X 25 BOLT M12X 25	YOOK2031	24 10	1C09	E1102540625	ホ"ル M 6X 25 BOLT M 6X 25	YOOK2031	1 14	1B02
E1100050614	ホ"ル 6X14 BOLT M 6X 14	YOOK2031	8 23	1B09	E1103041025	ホ"ル M 6X 25 BOLT M 6X 25 ボ"ル M10X 25	YOOK2031	16 47	1C01
E1100050812	ホ"ル M 8X 12 BOLT M 8X 12	YOOK2031	20 22	1C05	E1103051025	ボ"ル M10X 25 BOLT M10X 25	YOOK2031	36 10	1D05
E1100050820	ホ"ル 8X20 BOLT M 8X 20	YOOK2031	30 2	1C15	E1110040625	ボ"ル M10X 25 ホ"ル M 6X 25 BOLT M 6X 25	YOOK2031	36 11	1D05
			54 22 91 22	1E09 1G15	E1110040830	ボ"ル M 6X 25 ボ"ル M 6X 25 ボ"ル M 8X 30	YOOK2031	16 37	1C01
E1100050835	ホ"ル BOLT	YOOK2031	54 21	1E09				20 32	1C05
E1100050840	ホ"ル BOLT	YOOK2031	91 21 54 20	1G15 1E09	E1110040835	ボ"ル M 8X 30 ボ"ル M 8X 35	YOOK2031	22 28 35 23	1C07 1D04
E1100051020	ホ"ル M10X 20	YOOK2031	91 20 11 19	1G15 1B12	E1110041020	ホ"ル M10X 20 BOLT M10X 20	YOOK2031	90 13 1 9	1G14 1B02

(MF NO. Y00K2031)

-----+
I 2K05 I
-----+

*** PARTS INDEX ***

86.10.17

P. 21

PART NO.	DESCRIPTION	PC NO.	GRP.	REF.	LOC. NO.	PART NO.	DESCRIPTION	PC NO.	GRP.	REF.	LOC. NO.
E1122500420	שניטע "M 4X 20 SCREW M 4X 20	Y00K2031	85	10	1G09	E1130040010	גלט 10 NUT M10	Y00K2031	22	12	1C07
E1122500508	שניטע "M 5X 8 TAPPING SCREW M 5X 8	Y00K2031	46	80	1D16				38	25	1007
E1122500514	שניטע "M 5X 14 SCREW M 5X 14	Y00K2031	47	80	1E02				39	39	1008
E1122540510	גלט SCREW	Y00K2031	84	7	1G08				40	40	1009
E1122700410	שניטע "4X10 SCREW M 4X10	Y00K2031	41	40	1D16	E1130040012	גלט 12 NUT M12	Y00K2031	41	40	1D10
E1122700516	שניטע "M 5X 16 SCREW M 5X 16	Y00K2031	42	40	1E02				42	40	1D11
E1130020008	גלט NUT	Y00K2031	85	7	1G09				43	39	1D12
E1130030012	גלט 12 NUT M12	Y00K2031	96	27	1H04	E1130050006	גלט 6 NUT M 6	Y00K2031	44	40	1D13
E1130040004	גלט M 4 NUT M 4	Y00K2031	25	33	1C10				23	16	1C08
E1130040005	גלט M 5 NUT M 5	Y00K2031	46	78	1D16				24	16	1C09
E1130040006	גלט M 6 NUT M 6	Y00K2031	47	78	1E02				25	45	1C10
E1130040008	גלט 8 NUT M 8	Y00K2031	84	8	1G08				13	32	1B14
			85	8	1G09				15	48	1B16
			62	41	1F02				17	43	1C02
			93	41	1H01				81	33	1G05
			25	33	1C10	E1130050008	גלט 8 NUT M 8	Y00K2031	82	49	1G06
			25	38	1C10				83	52	1G07
			46	70	1D16				13	30	1B14
			47	70	1E02				15	46	1B16
			16	50	1C01				17	41	1C02
			18	38	1C03				19	23	1C04
			21	15	1C06				61	46	1E16
			22	15	1C07	E1130140010	גלט M10 NUT M10	Y00K2031	81	31	1G05
			25	32	1C10				82	47	1G06
			1	23	1B02				83	50	1G07
			14	30	1B15				83	29	1B14
			16	38	1C01				14	37	1B15
			18	39	1C03				15	45	1B16
			20	23	1C05				16	43	1C01
			21	13	1C06				17	40	1C02
			22	13	1C07	E1130520016	גלט 16 P1.5 NUT M16	Y00K2031	18	44	1C03
			26	31	1C11				81	30	1G05
			27	31	1C12	E1130540010	גלט M10 NUT M10	Y00K2031	82	46	1G06
			39	38	1D08				83	49	1G07
			40	39	1D09	E1130540012	גלט (7T) M12 P1.5 NUT M12	Y00K2031	3	27	1B04
			41	39	1D10				95	6	1H03
			42	39	1D11	E1130550012	גלט M12 NUT M12	Y00K2031	45	15	1D14
			43	38	1D12				52	8	1E07
			44	39	1D13				94	8	1H02
			45	3	1D14					19	1H02
			46	65	1D15					30	1H02
			47	65	1E01					41	1H02
			86	8	1G10				97	22	1H05
E1130040010	גלט 10 NUT M10	Y00K2031	21	12	1C06				98	22	1H06
									55		1H06

PART NO.	DESCRIPTION	PC NO.	GRP.	REF.	LOC. NO.	PART NO.	DESCRIPTION	PC NO.	GRP.	REF.	LOC. NO.
E1131540008	NUT M12 ナット NUT	Y00K2031	14	31	1B15	E1140020006	SPRING WASHER 5 スプリングワッシャー SPRING WASHER	Y00K2031	14	32	1B15
			16	39	1C01				16	40	1C01
			18	40	1C03				18	41	1C03
			20	24	1C05				20	31	1C05
			21	14	1C06				27	22	1C12
			22	14	1C07				47	67	1E01
E1131550008	NUT M 8, LEFT-HAND ナット M 8, 左回り	Y00K2031	13	31	1B14	E1140020008	SPRING WASHER スプリングワッシャー	Y00K2031	11	8	1B12
			15	47	1B16				12	8	1B13
			17	42	1C02				14	33	1B15
			19	24	1C04				16	41	1C01
			81	32	1G05				18	42	1C03
			82	48	1G06				20	25	1C05
			83	51	1G07				24	20	1C09
E1132020016	NUT M16 ナット M16	Y00K2031	46	58	1D15				27	11	1C12
			47	58	1E01				33	23	1D02
			48	19	1E03				35	24	1D04
E1132620030	NUT M30 ナット M30	Y00K2031	49	19	1E04				41	34	1D10
			50	19	1E05				42	34	1D11
			51	19	1E06				44	34	1D13
			46	71	1D16				47	66	1E01
E1134130004	CAP NUT M 4 ナット M 4	Y00K2031	46	71	1D16				51	47	1E06
			47	71	1E02				85	12	1G09
E1135510005	NUT ナット	Y00K2031	47	90	1E02				87	4	1G11
E1140000008	SPRING WASHER 8 スプリングワッシャー 8	Y00K2031	12	34	1B13				88	31	1G12
E1140000010	SPRING WASHER 10 スプリングワッシャー 10	Y00K2031	11	20	1B12	E1140020010	SPRING WASHER スプリングワッシャー	Y00K2031	11	9	1B12
			12	20	1B13				90	15	1G14
E1140000012	SPRING WASHER 12 スプリングワッシャー 12	Y00K2031	11	18	1B12				96	12	1H04
			12	18	1B13				25	9	1B13
E1140010005	SPRING WASHER 5 スプリングワッシャー 5	Y00K2031	61	23	1E16				14	34	1B15
E1140010006	SPRING WASHER スプリングワッシャー	Y00K2031	8	24	1B09				16	42	1C01
E1140010008	SPRING WASHER 8 スプリングワッシャー 8	Y00K2031	22	20	1C07				18	43	1C03
			54	23	1E09				22	19	1C07
			91	23	1G15				24	14	1C09
E1140010010	SPRING WASHER 10 スプリングワッシャー 10	Y00K2031	37	19	1D06				27	12	1C12
			71	25	1D06	E1140020012	SPRING WASHER 12 スプリングワッシャー 12	Y00K2031	24	11	1C09
			79	28	1G03	E1140330010	WASHER ワッシャー	Y00K2031	23	28	1C08
E1140020005	SPRING WASHER 5 スプリングワッシャー 5	Y00K2031	47	81	1E02				41	35	1D10
			85	18	1G09				42	35	1D11
			27	1G09					44	35	1D13
									51	46	1E06
									88	30	1G12
									90	14	1G14
									24	11	1C09
									26	28	1C09
									27	38	1C11
									27	38	1C12

(MF NO. Y00K2031)

↑-----↑
I 2K07 I
↑-----↑

*** PARTS INDEX ***

86.10.17

P. 23

7"כ"ח ח"כ"ח PART NO.	7"כ"ח DESCRIPTION	PC NO.	7"כ"ח GRP.	7"כ"ח REF.	7"כ"ח LOC. NO.	7"כ"ח ח"כ"ח PART NO.	7"כ"ח DESCRIPTION	PC NO.	7"כ"ח GRP.	7"כ"ח REF.	7"כ"ח LOC. NO.		
E1141110005	WASHER 7"כ"ח 5 WASHER 5	Y00K2031	47	96	1E02	E1141540010	WASHER 7"כ"ח 12	Y00K2031	41	43	1D10		
											42	43	1D11
											44	43	1D13
											1	16	1B02
E1141110006	WASHER 6	Y00K2031	84	19	1G08	E1141540012	WASHER 12	Y00K2031	2	12	1B03		
											8	21	1B09
											23	22	1C08
											24	22	1C09
E1141110008	WASHER	Y00K2031	24	30	1C09	E1210000320	COTTER PIN 3X20	Y00K2031	19	27	1C04		
											38	17	1D07
											39	35	1D08
											41	36	1D10
E1141110010	WASHER	Y00K2031	9	9	1B10	E1210000430	COTTER PIN	Y00K2031	46	59	1D15		
											42	36	1D11
											43	35	1D12
											44	36	1D13
E1141110012	WASHER 12	Y00K2031	39	37	1D08	E1210000550	COTTER PIN 5X50	Y00K2031	71	20	1F11		
											46	68	1D16
											47	68	1E01
											84	13	1G08
E1141110018	WASHER 8	Y00K2031	96	13	1H04	E1210000655	COTTER PIN 6X55	Y00K2031	48	20	1E03		
											85	13	1G09
											86	9	1G10
											87	3	1G11
E1141120005	WASHER	Y00K2031	85	28	1G09	E1210000660	COTTER PIN 6X60	Y00K2031	69	21	1F09		
											95	16	1H03
											26	2	1H04
											27	37	1C12
E1141540010	WASHER	Y00K2031	1	11	1B02	E1210000850	COTTER PIN	Y00K2031	6	16	1B07		
											11	10	1B12
											12	10	1B13
											26	37	1C11
E1141540012	WASHER 12	Y00K2031	41	38	1D10	E1210000855	COTTER PIN	Y00K2031	9	21	1B10		
											42	38	1D11
											43	37	1D12
											44	37	1D13
E1141540018	WASHER 8	Y00K2031	96	13	1H04	E1210000860	COTTER PIN 8X60	Y00K2031	48	16	1E03		
											49	51	1E04
											95	7	1H03
											41	38	1D10
E1141540018	WASHER 8	Y00K2031	96	13	1H04	E1210001210	COTTER PIN	Y00K2031	92	14	1G16		
											42	38	1D11
											43	37	1D12
											44	38	1D13
E1141540010	WASHER	Y00K2031	1	11	1B02	E1212001030	COTTER PIN	Y00K2031	8	16	1D09		
											8	16	1D09

PC NO.	DESCRIPTION	PC NO.	GRP.	REF.	LOC. NO.	PART NO.	DESCRIPTION	PC NO.	GRP.	REF.	LOC. NO.
						E1220000020	SNAP RING S20	Y00K2031	17	30	1C02
E1213000420	KNOCK-PIN SPRING PIN	Y00K2031	16	31	1C01				19	18	1C04
									20	19	1C05
									25	27	1C10
E1213000510	SPRING PIN 5X10	Y00K2031	36	17	1D05				82	35	1G06
E1213000624	SPRING PIN 5X10	Y00K2031	82	9	1G06				83	40	1G07
						E1221000055	SNAP RING	Y00K2031	73	21	1F13
E1213000830	SPRING PIN 8X 30	Y00K2031	13	23	1B14				78	9	1G02
									79	9	1G03
						E1221000058	CIRCLIP 58	Y00K2031	71	23	1F11
									73	20	1F13
						E1221000063	CIRCLIP 63	Y00K2031	64	26	1F04
									69	23	1F09
									70	23	1F10
									72	22	1F12
E1213101010	PIN, SPRING 10X10	Y00K2031	3	14	1B04				3	9	1B04
						E1221000080	SNAP RING	Y00K2031	78	21	1G02
									79	21	1G03
E1214000005	PIN 5	Y00K2031	13	24	1B14				8	10	1B09
						E1222016034	RING	Y00K2031	25	43	1C10
						E1224000006	CIRCLIP 6	Y00K2031	38	7	1G07
						E1224010004	CIRCLIP	Y00K2031	41	42	1D10
									42	42	1D11
									44	42	1D13
						E1225120020	SPRING	Y00K2031	10	30	1B11
									12	32	1B13
									49	52	1E04
E1214000008	PIN	Y00K2031	46	63	1D15				51	48	1E06
						E1225526019	WASHER	Y00K2031	1	30	1B02
E1214000010	SNAP PIN	Y00K2031	47	63	1E01					37	1B02
E1214000012	PIN, SNAP	Y00K2031	39	29	1D08				71	22	1F11
						E1300006006	BEARING	Y00K2031	78	8	1G02
									79	8	1G03
						E1300006010	BEARING	Y00K2031	8	9	1B09
						E1300006306	BEARING	Y00K2031	2	6	1B03
E1214000050	SNAP PIN	Y00K2031	16	30	1C01				3	7	1B04
E1220000015	SNAP RING S15	Y00K2031	15	33	1B16				8	8	1D09
									78	19	1G02
E1220000020	SNAP RING S20	Y00K2031	15	34	1B16				79	19	1G03

(MF NO. Y00K2031)

-----+
| 2K09 |
+-----+

*** PARTS INDEX ***

86.10.17

P. 25

PART NO.	DESCRIPTION	PC NO.	GRP.	REF.	LOC. NO.	PART NO.	DESCRIPTION	PC NO.	GRP.	REF.	LOC. NO.
E1300306307	BEARING "A" TYPE	Y00K2031	8	7	1B09	E1333004530	BUSH DU7"ツツ1 MB4530DU	Y00K2031	68	26	1F08
E1314001720	BEARING ニードル 針 NEEDLE, INNER	Y00K2031	15	32	1B16				69	22	1F09
			17	28	1C02	E1333052015	DU7"ツツ1 BUSH	Y00K2031	70	22	1F10
			82	34	1G06				72	21	1F12
			83	39	1G07				14	22	1B15
E1330002015	DU7"ツツ1 BUSH	Y00K2031	21	11	1C06				16	25	1C01
			22	11	1C07	E1340000080	ロッドエンド ROD-END	Y00K2031	20	18	1C05
E1332001518	ミニピロ- MINI-PILLOW	Y00K2031	13	37	1B14				13	18	1B14
			81	38	1G05				14	19	1B15
E1332002022	ミニピロ- MINI-PILLOW	Y00K2031	15	28	1B16				15	29	1B16
			17	24	1C02				16	27	1C01
			21	8	1C06				17	25	1C02
			22	8	1C07				19	15	1C04
			82	30	1G06				20	16	1C05
			83	35	1G07				21	9	1C06
E1332021516	ピロ-ユニット PILLOW UNIT	Y00K2031	18	49	1C03	E1340000085	ロッドエンド ROD-END	Y00K2031	22	9	1C07
			20	29	1C05				81	19	1G05
E1332022020	ピロ-ユニット UNIT, PLOW	Y00K2031	14	18	1B15				82	31	1G06
E1332051518	ミニピロ- MINI-PILLOW	Y00K2031	13	36	1B14				83	36	1G07
			15	51	1B16				13	19	1B14
			81	37	1G05				14	20	1B15
			82	52	1G06				15	30	1B16
E1332052022	ミニピロ- MINI-PILLOW	Y00K2031	17	23	1C02				16	29	1C01
			83	34	1G07				17	26	1C02
E1332061516	フランジユニット UNIT, FLANGE	Y00K2031	14	17	1B15				18	24	1C03
			18	30	1C03	E1340300080	ロッドエンド ROD END	Y00K2031	19	16	1C04
E1333002015	ブッシュ BUSH	Y00K2031	13	20	1B14				20	17	1C05
			15	31	1B16	E1340300085	ロッドエンド ROD END	Y00K2031	21	10	1C06
			17	27	1C02				22	10	1C07
			19	17	1C04	E1340300100	ロッドエンド ROD-END	Y00K2031	81	20	1G05
			81	21	1G05				82	32	1G06
			82	33	1G06	E1340500080	ロッドエンド(R) ROD END(R)	Y00K2031	83	37	1G07
			83	38	1G07				16	29	1C01
E1333004030	DU7"ツツ1 BUSH	Y00K2031	71	21	1F11				18	25	1C03
			73	19	1F13	E1390010800	ボール 1/2 BALL (1/2)	Y00K2031	83	14	1G07
			74	24	1F14	E1390020300	鋼球 STEEL BALL	Y00K2031	21	28	1C06
E1333004530	DU7"ツツ1 MB4530DU BUSH	Y00K2031	64	25	1F04	E1400402382	オイルシール OIL SEAL	Y00K2031	14	21	1B15
			65	23	1F05	E1400402835	オイルシール OIL SEAL	Y00K2031	81	7	1G05
			66	23	1F06				25	30	1C10
			67	25	1F07				92	15	1G16
									36	16	1D05
									3	22	1B04

7"עס ח"ח כ"ס PART NO.	7"עס ח"ח DESCRIPTION	PC NO.	7"עס ח"ח GRP. REF.	7"עס ח"ח LOC. NO.	7"עס ח"ח כ"ס PART NO.	7"עס ח"ח DESCRIPTION	PC NO.	7"עס ח"ח GRP. REF.	7"עס ח"ח LOC. NO.			
E1410706316	7"עס ח"ח SW-63.57.16 WEARING SW-63.57.16	Y00K2031	71	10	1F11	0-RING 1B-P12	Y00K2031	31	15	1C16		
E1410707011	7"עס ח"ח RING	Y00K2031	73	10	1F13	0-RING						
E1410707515	7"עס ח"ח WEARING	Y00K2031	74	23	1F14			17		1C16		
E1410707520	7"עס ח"ח RING	Y00K2031	65	12	1F05			62	27	1F02		
								88	15	1G12		
			66	12	1F06			17		1G12		
			67	12	1F07	E1420010160	0-RING	92	3	1G16		
			68	12	1F08			93	27	1H01		
			69	10	1F09			61	53	1E16		
			70	10	1F10	E1420010180	0-RING 1B-P18			53-1	1E16	
E1410708020	7"עס ח"ח RING	Y00K2031	72	10	1F12	0-RING 1B-P18	Y00K2031	61	35	1E16		
E1410717520	7"עס ח"ח WEARING	Y00K2031	64	12	1F04			51		1E16		
E1420000070	0-RING 1A, P7	Y00K2031	63	5	1F03	E1420010220	0-RING	88	23	1G12		
E1420000120	0-RING 1A P12	Y00K2031	61	21	1E16			62	44	1F02		
E1420000180	0-RING 1A P 18.0	Y00K2031	92	2	1G16	E1420010290	0-RING P29 1B			47	1F02	
E1420000500	0-RING 1B P 50	Y00K2031	3	20	1B04	E1420010550	0-RING 1B-P55			93	44	1H01
E1420000700	0-RING P70-1A	Y00K2031	78	20	1G02	E1420010700	0-RING 1B P 70			47	1H01	
						E14200101300	0-RING G130	Y00K2031	37	17	1D06	
E1420010050	0-RING P5,1B	Y00K2031	79	20	1G03	E1420110250	0-RING 1B. G25	Y00K2031	60	5	1E15	
			62	38	1F02			Y00K2031	3	8	1B04	
E1420010070	0-RING 1B. P7	Y00K2031	93	38	1H01	E1420110300	0-RING	Y00K2031	37	16	1D06	
			61	36	1E16			Y00K2031	63	3	1F03	
E1420010090	0-RING 1B P 8.0	Y00K2031	63	2	1F03	E1420110550	0-RING G55,1B	Y00K2031	61	37	1E16	
			61	34	1E16			Y00K2031	62	37	1F02	
E1420010100	0-RING 1B-P10	Y00K2031	63	6	1F03	E1420310017	0-RING	Y00K2031	93	37	1H01	
			61	26	1E16			Y00K2031	61	43	1E16	
E1420010101	0-RING 1B, P10A	Y00K2031	52	1E16	1E16	E1420310030	0-RING	Y00K2031	61	44	1E16	
			52-1	1E16	1F03	E1420310228	0-RING ARP568-228-1B	Y00K2031	60	7	1E15	
E1420010110	0-RING P11	Y00K2031	33	18	1D02	E1420310904	0-RING	Y00K2031	32	17	1D01	
						E1420310906	0-RING	Y00K2031	30	15	1C15	
			34	19	1D03			Y00K2031	7	6	1B08	
			35	20	1D04	E1420310908	0-RING (7"עס ח"ח)	Y00K2031				
			61	41	1E16							
			88	25	1G12							
E1420010120	0-RING 1B-P12	Y00K2031	61	50	1E16							
			62	35	1F02	E1420310910	0-RING ARP568-910	Y00K2031	8	15	1B09	
			93	35	1H01							

部品番号 PART NO.	説明 DESCRIPTION	PC NO.	組立 GRP.	参照 REF.	位置 LOC.NO.	部品番号 PART NO.	説明 DESCRIPTION	PC NO.	組立 GRP.	参照 REF.	位置 LOC.NO.
E1420310910	O-RING ARP568-910 O-RING ARP-568-910	Y00K2031	32	15	1D01	E1501750010	STREET ELBOW 7*52" PF1	Y00K2031	37	13	1D06
E1420310912	O-RING	Y00K2031	32	16	1D01	E1501810001	PLUG PF1 8*52" PF17/8	Y00K2031	2	9	1B03
E1421020500	バックアップリング RING, BACKUP	Y00K2031	3	21	1B04				3	6	1B04
E1421200500	バックアップリング RING, BACKUP	Y00K2031	61	20	1E16				60	13	1E15
E1421201400	バックアップリング BACK-UP RING	Y00K2031	60	4	1E15				62	36	1F02
E1431203055	シール SEAL	Y00K2031	2	5	1B03	E1501810002	8*52" PF17/8 PLUG	Y00K2031	78	11	1G02
E1431203072	シール SEAL	Y00K2031	2	7	1B03				79	11	1G02
E1431203562	シール SEAL	Y00K2031	3	10	1B04				78	11	1G02
E1432200035	シール SEAL, DUST	Y00K2031	97	18	1H05	E1501810003	7*52" PLUG	Y00K2031	79	22	1G03
E1432900009	O-RING	Y00K2031	62	33	1F02	E1501810006	7*52" PLUG	Y00K2031	91	33	1G15
E1432900010	O-RING	Y00K2031	62	43	1F02	E1502101203	コネクタ NIPPLE, ELBOW	Y00K2031	98	18	1H06
E1432900034	O-RING	Y00K2031	62	34	1F02	E1502301203	エルボ NIPPLE, ELBOW	Y00K2031	7	9	1B08
E1432900036	シール SEAL, OIL	Y00K2031	62	21	1F02	E1502701202	エルボ NIPPLE, ELBOW	Y00K2031	7	10	1B08
E1433020011	ブラケット BRACKET, LEVER	Y00K2031	92	8	1G16	E1502711202	エルボ NIPPLE, ELBOW	Y00K2031	35	19	1D04
E1433030004	レバーピン LEVER PIN	Y00K2031	92	4	1G16	E1502711203	エルボ NIPPLE, ELBOW	Y00K2031	88	24	1G12
E1501300002	ストリートエルボ STREET ELBOW	Y00K2031	30	11	1C15	E1502711504	エルボ NIPPLE, ELBOW	Y00K2031	31	14	1C16
			31	11	1C16	E1502821203	コネクタ CONNECTOR	Y00K2031	88	14	1G12
			34	16	1D03	E1508000001	エルボ PT1/8 ELBOW (PT1/8)	Y00K2031	88	22	1G12
			35	18	1D04	E1508000006	エルボ 3/4 ELBOW 3/4	Y00K2031	31	13	1C16
			88	11	1G12				93	34	1H01
			89	10	1G13	E1508000002	エルボ PT1/8 ELBOW (PT1/8)	Y00K2031	62	21	1F02
						E1508010006	エルボ ELBOW	Y00K2031	93	21	1H01
						E1508100006	エルボ ELBOW	Y00K2031	28	7	1C13
						E1508700010	7*52" PT1 PLUG PT1	Y00K2031	29	2	1C14
						E1511000002	8*52" PF17/8	Y00K2031	31	12	1C16

PART NO.	DESCRIPTION	PC NO.	GRP.	REF.	LOC. NO.	PART NO.	DESCRIPTION	PC NO.	GRP.	REF.	LOC. NO.
E1511000002	NIPPLE 1/4, HOSE ホ-スニツク1/4	Y00K2031	31	10	1C16	E1515000211	ELBOW エルボ	Y00K2031	88	26	1G12
			88	10	1G12	E1515200433	エルボ	Y00K2031	32	14	1D01
E1511000003	NIPPLE, HOSE ホ-スニツク NIPPLE, HOSE	Y00K2031	7	8	1B08		ELBOW		33	15	1D02
			53	11	1E08	E1530526013	717ツホ-ス HOSE, LOW-PRESS.	Y00K2031	89	9	1G13
			54	17	1E09						
			91	17	1G15	E1530526014	717ツホ-ス HOSE, LOW-PRESS.	Y00K2031	32	10	1D01
E1511000004	NIPPLE, HOSE ホ-スニツク NIPPLE, HOSE	Y00K2031	30	6	1C15	E1530526016	717ツホ-ス HOSE, LOW-PRESS.	Y00K2031	33	9	1D02
			31	9	1C16						
			88	9	1G12	E1530526080	717ツホ-ス HOSE, LOW-PRESSURE	Y00K2031	32	8	1D01
E1511000006	ADAPTOR, HOSE ホ-スツク ADAPTOR, HOSE	Y00K2031	91	19	1G15				33	11	1D02
E1511100003	ADAPTER 3/8 ホ-スツク 3/8 ADAPTER 3/8	Y00K2031	53	13	1E08	E1530532090	717ツホ-ス HOSE, LOW-PRESS.	Y00K2031	32	9	1D01
			54	18	1E09	E1530541025	717ツホ-ス HOSE, LOW-PRESS.	Y00K2031	33	27	1D02
			71	25	1E11						
			91	18	1G15	E1530541050	717ツホ-ス HOSE, LOW-PRESS.	Y00K2031	33	10	1D02
E1511200002	ELBOW (45°) ホ-スツク 45 エルボ ELBOW (45°)	Y00K2031	34	17	1D03	E1531010006	エルボ HOSE	Y00K2031	38	14	1D07
E1511200003	NIPPLE 45°ニツク NIPPLE	Y00K2031	7	7	1B08	E1531010037	エルボ エルボ	Y00K2031	38	13	1D07
			53	12	1E08						
E1511200004	NIPPLE 1/2 (45°), HOSE ホ-スツク (45° エルボ) NIPPLE 1/2 (45°), HOSE	Y00K2031	30	10	1C15	E1531112075	エルボ TUBE	Y00K2031	38	18	1D07
E1513000006	NIPPLE ニツク NIPPLE	Y00K2031	30	13	1C15	E1531115000	エルボ PIPE, VINYL	Y00K2031	23	21	1C08
			31	3	1C16				24	21	1C09
			88	3	1G12	E1531335030	エルボ HOSE, PROTECTOR	Y00K2031	34	14	1D03
E1513100004	CONNECTOR コネクタ CONNECTOR	Y00K2031	7	5	1B08	E1531345030	エルボ HOSE, PROTECTOR	Y00K2031	34	9	1D03
E1513330001	ELBOW エルボ ELBOW	Y00K2031	30	16	1C15	E1531345040	エルボ HOSE, RUBBER	Y00K2031	54	26	1E09
E1513400001	BUSH ブッシュ BUSH	Y00K2031	31	8	1C16	E1531345070	エルボ HOSE, RUBBER	Y00K2031	54	19	1E09
E1513400002	BUSH ブッシュ BUSH	Y00K2031	31	6	1C16	E1532020600	エルボ TUBE	Y00K2031	28	4	1C13
			88	6	1G12				5		1C13
E1513500001	PLUG プラグ PLUG	Y00K2031	61	42	1E16	E1532020635	エルボ TUBE TC-206	Y00K2031	32	20	1D01
E1513500008	PLUG プラグ PLUG	Y00K2031	61	55	1E16						
E1513500009	PLUG プラグ PLUG	Y00K2031	61	27	1E16	E1532020645	エルボ TUBE	Y00K2031	33	21	1D02
E1513500010	PLUG プラグ PLUG	Y00K2031	61	54	1E16	E1532020660	エルボ TUBE	Y00K2031	29	7	1C14
E1513500021	PLUG プラグ PLUG	Y00K2031	61	28	1E16	E1532020670	エルボ TUBE	Y00K2031	29	5	1C14
E1513500026	PLUG プラグ PLUG	Y00K2031	62	29	1F02	E1532520601	コネクタ CONNECTOR	Y00K2031	29	4	1C14
			93	29	1H01				33	25	1D02
E1515000211	エルボ	Y00K2031	34	18	1D03	E1532520602	コネクタ CONNECTOR	Y00K2031	28	2	1C13

7"ELC HAKONJIKU PART NO.	7"ELC HAKONJIKU DESCRIPTION	PC NO.	7"ELC HAKONJIKU GRP.	7"ELC HAKONJIKU REF.	7"ELC HAKONJIKU LOC.NO.	7"ELC HAKONJIKU PART NO.	7"ELC HAKONJIKU DESCRIPTION	PC NO.	7"ELC HAKONJIKU GRP.	7"ELC HAKONJIKU REF.	7"ELC HAKONJIKU LOC.NO.
E1532620601	ELBOW 1/4 肘管 1/4 ELBOW	Y00K2031	29	3	1C14	E1560001000	NIPPLE ナリニツツ* NIPPLE	Y00K2031	51	17	1E06
									64	28	1F04
									65	29	1F05
									66	29	1F06
E1532620602	肘管 ELBOW	Y00K2031	28	3	1C13				67	27	1F07
E1533001015	ワイヤ-クランプ CLAMP, WIRE	Y00K2031	38	15	1D07				68	28	1F08
									72	24	1F12
									73	23	1F13
E1533001035	ワイヤ-クランプ 35 CLAMP 35, WIRE	Y00K2031	32	12	1D01				74	26	1F14
									97	26-1	1H05
									98	26	1H06
E1533001045	クランプワイヤ CLAMP	Y00K2031	32	11	1D01	E1560001675	ナリニツツ* PT1/8 NIPPLE PT1/8	Y00K2031	6	17	1B07
									46	23	1D15
									47	23	1E01
									66	30	1F06
E1533001055	ワイヤ-クランプ CLAMP, WIRE	Y00K2031	33	12	1D02				68	29	1F08
E1533001058	ワイヤ-クランプ CLAMP, WIRE	Y00K2031	23	26	1C08	E1560001900	ナリニツツ* NIPPLE	Y00K2031	48	5	1E03
									49	5	1E04
									50	5	1E05
E1533200010	Uボルト U-BOLT	Y00K2031	32	18	1D01				51	5	1E06
E1533200012	UボルトCMP U-BOLT ASSY	Y00K2031	33	19	1D02				69	25	1F09
E1541201616	ガスケット GASKET	Y00K2031	3	18	1B04	E1560011006	ナリニツツ* NIPPLE, GREASE	Y00K2031	1	13	1B02
									70	25	1F10
E1541301601	チェックバルブ VALVE, CHECK	Y00K2031	3	17	1D06	E1560019000	ナリニツツ* PT1/8 90° GREASE NIPPLE PT1/8	Y00K2031	71	24	1F11
E1550100400	ストレーナ吸込 STRAINER, SUCTION	Y00K2031	37	9	1D06	E1567005059	パイプアッシー PIPE ASSY, SUCTION	Y00K2031	23	24	1C08
E1551100300	バルブアッシー VALVE ASSY	Y00K2031	37	11	1D06				24	24	1C09
E1551100700	フィルエレメント ELEMENT, FILTER	Y00K2031	37	10	1D06	E1567313840	ホースデフロスター HOSE, DEFROSTER 38	Y00K2031	95	18	1H03
E1552001022	カバー COVER	Y00K2031	38	8	1D07				96	16	1H04
E1552002012	ストレーナ燃料 STRAINER, FUEL	Y00K2031	38	9	1D07	E1567313860	ホースデフロスター HOSE, DEFROSTER	Y00K2031	96	19	1H04
E1553020655	オイルレベルゲージ GAUGE, OIL LEVEL	Y00K2031	37	12	1D06	E1567323800	カフ CUFFS	Y00K2031	95	20	1H03
E1560001000	ナリニツツ* NIPPLE	Y00K2031	3	19	1B04				96	20	1H04
						E1567413815	ホースデフロスター HOSE, DEFROSTER	Y00K2031	26	18	1H04
						E1567413830	ホースデフロスター HOSE, DEFROSTER	Y00K2031	96	17	1H04
						E1567413850	ホースデフロスター HOSE, DEFROSTER	Y00K2031	95	19	1H03
						E1600000140	ユニバーサルジョイントCMP UNIVERSAL JOINT	Y00K2031	16	33	1C01
									18	33	1C03
						E1602000160	センターフレックスカップリング CENTER FLEX COUPLING	Y00K2031	36	6	1D05
						E1620050000	ジョイントリンク JOINT LINK	Y00K2031	16	32	1C01
									9	20	1B10
									10	20	1B11
									11	21	1B12
									12	21	1B13
									29	8	1C14
									48	17	1E03
									49	17	1E04
									50	17	1E05

PART NO.	DESCRIPTION	PC NO.	GRP.	REF.	LOC. NO.	PART NO.	DESCRIPTION	PC NO.	GRP.	REF.	LOC. NO.
E1620050000	JOINT LINK	Y00K2031	18	32	1C03	E1652103824	PAD	Y00K2031	46	51	1D15
E1622290100	TRIM	Y00K2031	39	28	1D08	E1652200003	PACKING, RUBBER	Y00K2031	27	39	1C12
E1650112050	KNOB	Y00K2031	40	29	1D09	E1652200008	CLAMP	Y00K2031	32	23	1D01
E1650200400	KNOB	Y00K2031	43	28	1D12		TIGHTENER TY-8	Y00K2031	33	24	1D02
E1650200500	GRIP, LEVER	Y00K2031	88	32	1G12	E1652310013	CLAMP	Y00K2031	27	40	1C12
E1650200600	KNOB (R), LEVER	Y00K2031	18	31	1C03	E1652400004	CLAMP, NYLON	Y00K2031	25	40	1C10
E1650200700	KNOB (L), LEVER	Y00K2031	21	21	1C06	E1652505400	CUSHION, RUBBER	Y00K2031	39	40	1D08
E1650201200	KNOB	Y00K2031	22	21	1C07				40	42	1D09
E1650201400	KNOB	Y00K2031	25	28	1C10				41	29	1D10
E1651005030	CUSHION	Y00K2031	13	21	1B14				42	29	1D11
E1651040428	ABSORBER, RUBBER	Y00K2031	14	25	1B15	E1652610701	BUSH	Y00K2031	26	16	1C11
E1652002202	GROMMET	Y00K2031	81	22	1G05	E1653300700	CATCH	Y00K2031	83	15	1G07
E1652050900	GROMMET	Y00K2031	13	22	1B14	E1653300703	CLIP	Y00K2031	83	16	1G07
E1652051200	GROMMET	Y00K2031	14	26	1B15	E1653610304	LOCK ASSY	Y00K2031	39	27	1D08
E1652051600	GROMMET	Y00K2031	81	23	1G05				40	28	1D09
E1652052400	GROMMET	Y00K2031	17	31	1C02				41	27	1D10
E1652053800	GROMMET	Y00K2031	83	41	1G07				42	27	1D11
E1652103622		Y00K2031	15	27	1B16	E1653614389	RACK, HAT	Y00K2031	46	55	1D15
			16	48	1C01	E1653691350	POCKET ASSY.	Y00K2031	46	54	1D15
			82	29	1G06	E1653691450	HANDLE	Y00K2031	46	53	1D15
			46	57	1D15	E1653691460	CATCHER ASSY	Y00K2031	46	52	1D15
			24	18	1C09	E1653900009	MARK, "YANMAR"	Y00K2031	47	89	1E02
			23	18	1C08	E1653916249	TRIM	Y00K2031	43	40	1D12
			24	18	1C09				44	47	1D13
			26	33	1C11	E1654000700	DOOR LOCK	Y00K2031	46	41	1D15
			27	33	1C12				47	41	1E01
			25	13	1C10				46	39	1D15
			46	48	1D15						
			47	48	1E01						
			46	49	1D15						
			47	49	1E01						
			41	45	1D10						
			42	45	1D11						
			44	45	1D13						
			46	50	1D15						
			47	50	1E01						
			47	51	1E01						

PART NO.	DESCRIPTION	PC NO.	GRP.	REF.	LOC. NO.	PART NO.	DESCRIPTION	PC NO.	GRP.	REF.	LOC. NO.
E1654000800	HANDLE ハンドル	Y00K2031	47	39	1E01	E1701200200	E1-スイッチボックス	Y00K2031	25	14	1C10
E1654000900	HANDLE ハンドル	Y00K2031	46	40	1D15	E1702000070	バッテリー	Y00K2031	26	25	1C11
E1654001000	ゴムブッシュ BUSH, RUBBER	Y00K2031	46	42	1D15	E1702106260	ロッド ASSY ROD ASSY	Y00K2031	26	24	1C11
E1654305280	スポンジゴム SPONGE RUBBER	Y00K2031	46	56	1D15	E1702230340	ケーブル	Y00K2031	26	28	1C11
E1654520200	ゴムサシ RUBBER, SASH	Y00K2031	46	60	1D15	E1702230500	ワイヤ	Y00K2031	26	29	1C11
E1654520360	ゴム RUBBER	Y00K2031	46	61	1D15	E1702308513	ターミナル	Y00K2031	26	30	1C11
E1654601100	トリム TRIM	Y00K2031	41	28	1D10	E1702430280	ワイヤ	Y00K2031	23	23	1C08
E1654604690	シールゴム L=690 SEAL, RUBBER	Y00K2031	46	62-1	1D15	E1702530095	バッテリーケーブル	Y00K2031	26	27	1C11
E1655200003	クランプ CLAMP	Y00K2031	47	62	1E01	E1703000100	ランプヘッド	Y00K2031	26	3	1C11
E1690002427	レンチ WRENCH	Y00K2031	59	11	1E14	E1703000101	ランプユニット	Y00K2031	26	4	1C11
E1690100013	レンチ WRENCH	Y00K2031	59	10	1E14	E1703000102	ランプハーネス	Y00K2031	26	6	1C11
E1690300330	ハンマー HAMMER	Y00K2031	59	14	1E14	E1703000103	12V/35W 灯泡	Y00K2031	26	5	1C11
E1690400250	モンキーレンチ MONKEY WRENCH	Y00K2031	59	12	1E14	E1703000200	ランプ ASSY, BOOM	Y00K2031	86	2	1G10
E1690500200	プライヤ PLIER	Y00K2031	59	13	1E14	E1703000203	灯泡	Y00K2031	86	3	1G10
E1690600500	レンチ 6 WRENCH	Y00K2031	59	17	1E14	E1703000900	ランプ ASSY	Y00K2031	87	1	1G11
E1690600600	レンチ 6 WRENCH	Y00K2031	59	18	1E14	E1703000901	灯泡	Y00K2031	87	2	1G11
E1690600800	レンチ 6 WRENCH	Y00K2031	59	19	1E14	E1703001300	ランプヘッド ASSY	Y00K2031	47	91	1E02
E1690601000	レンチ 6 WRENCH	Y00K2031	59	20	1E14	E1703001303	灯泡	Y00K2031	47	92	1E02
E1690850026	レンチ 26 WRENCH 26	Y00K2031	59	15	1E14	E1703210700	電気灯泡	Y00K2031	26	13	1C11
E1691050300	グリースガン GREASE GUN	Y00K2031	59	8	1E14	E1703211000	灯泡 D7	Y00K2031	26	13	1C11
E1691100003	ノズル NOZZLE, GREASE GUN	Y00K2031	59	9	1E14	E1703211050	灯泡 D10	Y00K2031	26	14	1C11
E1691400003	バッグ BAG, TOOL	Y00K2031	59	21	1E14	E1703211050	灯泡 L500	Y00K2031	26	34	1C11
E1701000200	ライトスイッチ LIGHT SWITCH	Y00K2031	25	9	1C10						

7"EC" H"K"K"K" PART NO.	7"EC" H"K"K"K" DESCRIPTION	PC NO.	7"EC" H"K"K"K" GRP.	7"EC" H"K"K"K" REF.	7"EC" H"K"K"K" LOC. NO.	7"EC" H"K"K"K" PART NO.	7"EC" H"K"K"K" DESCRIPTION	PC NO.	7"EC" H"K"K"K" GRP.	7"EC" H"K"K"K" REF.	7"EC" H"K"K"K" LOC. NO.
	TUBE L500					E1900000102	7"EC" H"K"K"K" BUSH	Y00K2031	72	12	1F12
E1703211050	7"EC" H"K"K"K"-7" L500	Y00K2031	27	34	1C12						
E1703211500	7"EC" H"K"K"K"-7" D15	Y00K2031	26	15	1C11	E1900000502	7"EC" H"K"K"K" BUSH	Y00K2031	71	12	1F11
	TUBE D15					E1900000509	7"EC" H"K"K"K" BUSH	Y00K2031	71	19	1F11
E1703500412	7"EC" H"K"K"K" HORN	Y00K2031	27	15	1C12	E1900002208	7"EC" H"K"K"K" NUT M27 P=1.5 NUT M27 7"EC" H"K"K"K" HOLDER, PACKING	Y00K2031	69	19	1F09
E1704042012	7"EC" H"K"K"K" MOTOR, WIPER	Y00K2031	27	7	1C12						
			46	43	1D15				70	19	1F10
E1704046012	7"EC" H"K"K"K" MOTOR, WIPER	Y00K2031	47	43	1E01	E1900002209	7"EC" H"K"K"K" NUT	Y00K2031	72	19	1F12
E1704111500	7"EC" H"K"K"K" ARM, WIPER	Y00K2031	47	44	1E01	E1900003702	7"EC" H"K"K"K" BUSH	Y00K2031	69	13	1F09
E1704111550	7"EC" H"K"K"K" ARM, WIPER	Y00K2031	46	44	1D15				70	13	1F10
E1704206400	7"EC" H"K"K"K" BLADE, WIPER	Y00K2031	47	69	1E02	E1900004209	7"EC" H"K"K"K" CASTLE NUT	Y00K2031	72	16	1F12
E1704206450	7"EC" H"K"K"K" WIPER BLADE	Y00K2031	46	69	1D16	E1900004906	7"EC" H"K"K"K" PISTON	Y00K2031	69	12	1F09
E1704300004	7"EC" H"K"K"K" WIPER SWITCH	Y00K2031	46	46A	1D15	E1900004920	7"EC" H"K"K"K" BUSH		70	12	1F10
			47	46A	1E01	E1900004950	7"EC" H"K"K"K" PLATE	Y00K2031	72	14	1F12
E1704300005	7"EC" H"K"K"K" WIPER SWITCH	Y00K2031	46	46B	1D15	E1900004955	7"EC" H"K"K"K" HOLDER, PACKING	Y00K2031	72	15	1F12
			47	46B	1E01	E1900005003	7"EC" H"K"K"K" TUBE, CYLINDER	Y00K2031	72	13	1F12
E1705015501	7"EC" H"K"K"K" CAR RADIO	Y00K2031	84	5	1G08	E1900005099	7"EC" H"K"K"K" SEAL KIT	Y00K2031	72	2	1F12
E1705015502	7"EC" H"K"K"K" ANTENNA	Y00K2031	84	6	1G08	E1900008208	7"EC" H"K"K"K" HOLDER, ROD PACKING	Y00K2031	73	17	1F13
E1705015507	7"EC" H"K"K"K" SPEAKER	Y00K2031	85	9	1G08	E1900008250	7"EC" H"K"K"K" HOLDER, GASKET	Y00K2031	73	14	1F13
E1705015601	7"EC" H"K"K"K" RADIO	Y00K2031	85	5	1G09	E1900009509	7"EC" H"K"K"K" NUT	Y00K2031	64	22	1F04
E1705015602	7"EC" H"K"K"K" ANTENNA ASSY.	Y00K2031	85	6	1G09				65	22	1F05
E1705015605	7"EC" H"K"K"K" SPEAKER	Y00K2031	85	9	1G09				66	22	1F06
E1711910010	7"EC" H"K"K"K" WINDOW WASHER	Y00K2031	85	21	1G09				67	22	1F07
E1711910011	7"EC" H"K"K"K" NOZZLE	Y00K2031	85	22	1G09	E1900011103	7"EC" H"K"K"K" COVER, ROD	Y00K2031	71	13	1F11
E1711910012	7"EC" H"K"K"K" CASE	Y00K2031	85	23	1G09	E1900011106	7"EC" H"K"K"K" PISTON	Y00K2031	71	16	1F11
E1711910013	7"EC" H"K"K"K" HOSE	Y00K2031	85	24	1G09	E1900011108	7"EC" H"K"K"K" HOLDER, ROD GASKET	Y00K2031	71	18	1F11
E1711910015	7"EC" H"K"K"K" BRACKET	Y00K2031	85	25	1G09	E1900011150	7"EC" H"K"K"K" PLATE, KEEP	Y00K2031	71	14	1F11
E1730045074	7"EC" H"K"K"K" HOUR METER	Y00K2031	25	12-1	1C10	E1900011155	7"EC" H"K"K"K" HOLDER, GASKET	Y00K2031	71	15	1F11
E1730085970	7"EC" H"K"K"K" HOUR-METER	Y00K2031	25	12	1C10	E1900011199	7"EC" H"K"K"K" KIT, SEAL	Y00K2031	71	2	1F11
E1730100010	7"EC" H"K"K"K" THERMOMETER	Y00K2031	25	11	1C10	E1900012203	7"EC" H"K"K"K" COVER, ROD	Y00K2031	73	13	1F13

7"EC"HA"K"O"K"U"K"U"Z"U" PART NO.	7"EC"HA"K"O"K"U"K"U"Z"U" DESCRIPTION	PC NO.	K"U"K"U"Z"U" GRP.	M"U"K"U"Z"U" REF.	O"K"U"Z"U" LOC. NO.	7"EC"HA"K"O"K"U"K"U"Z"U" PART NO.	7"EC"HA"K"O"K"U"K"U"Z"U" DESCRIPTION	PC NO.	K"U"K"U"Z"U" GRP.	M"U"K"U"Z"U" REF.	O"K"U"Z"U" LOC. NO.
E1900012409	ナツ NUT	Y00K2031	73	18	1F13	E1900013499	シ-ルキツ KIT, SEAL	Y00K2031	70	2	1F10
E1900013303	カツ"カハ" COVER, HEAD	Y00K2031	64	15	1F04	E1900015100	パイ"カ"リ"カ" CYLINDER, BLADE	Y00K2031	5	18	1B06
E1900013304	リ"タ" RETAINER	Y00K2031	64	16	1F04				6	18	1B07
E1900013306	シ"キ PISTON	Y00K2031	64	20	1F04	E1900015101	シ"キ ROD, PISTON	Y00K2031	72	11	1F12
			65	20	1F05	E1900015107	パイ"カ" PIPE	Y00K2031	72	17	1F12
			67	20	1F07	E1900016002	ブ"シ BUSH	Y00K2031	64	14	1F04
E1900013315	リ"タ" SPACER	Y00K2031	64	23	1F04				65	14	1F05
			67	23	1F07				66	14	1F06
E1900013316	ク"シ"ン"カ" RING, CUSHION	Y00K2031	64	24	1F04				67	14	1F07
E1900013350	リ"タ"ホル"ダ" HOLDER, U-RING	Y00K2031	64	18	1F04	E1900020300	シ"キ"リ"カ" CYLINDER, SWING	Y00K2031	9	29	1B10
			65	18	1F05				10	31	1B11
			66	18	1F06				73	1	1F13
			67	18	1F07	E1900020301	シ"キ ROD, PISTON	Y00K2031	73	11	1F13
E1900013355	リ"タ"ホル"ダ" HOLDER, U-RING	Y00K2031	64	19	1F04	E1900020302	ブ"シ BUSH	Y00K2031	73	12	1F13
			65	19	1F05	E1900020306	シ"キ PISTON	Y00K2031	73	15	1F13
			66	19	1F06	E1900020307	パイ"カ" PIPE	Y00K2031	73	16	1F13
			67	19	1F07	E1900020399	シ"キ"リ"カ" SEAL SET	Y00K2031	73	2	1F13
E1900013400	ア"キ"リ"カ" CYL. ASSY, ARM	Y00K2031	50	42	1E05	E1900020502	ブ"シ BUSH	Y00K2031	74	13	1F14
			51	50	1E06	E1900023607	パイ"カ" PIPE	Y00K2031	71	17	1F11
			70	1	1F10	E1900023618	カ"ハ" COVER	Y00K2031	71	26	1F11
E1900013401	シ"キ ROD, PISTON	Y00K2031	69	11	1F09	E1900023812	リ"タ"リ"カ" GUIDE, SPRING	Y00K2031	65	28	1F05
E1900013403	カツ"カハ" COVER, ROD	Y00K2031	69	14	1F09				66	28	1F06
E1900013406	シ"キ PISTON	Y00K2031	69	17	1F09	E1900023816	ク"シ"ン"カ" CUSHION RING	Y00K2031	65	26	1F05
E1900013407	パイ"カ" PIPE	Y00K2031	70	17	1F10				66	26	1F06
E1900013414	ス"ナ"プ"リ"カ" SNAP RING	Y00K2031	69	24	1F09	E1900023905	ク"シ"ン"カ" BEARING	Y00K2031	64	17	1F04
E1900013450	プレート PLATE	Y00K2031	70	24	1F10	E1900023999	シ"キ"リ"カ" SEAL SET	Y00K2031	64	2	1F04
E1900013455	リ"タ"ホル"ダ" HOLDER, PACKING	Y00K2031	69	15	1F09	E1900024300	メイン"シ"キ"リ"カ" CYLINDER, MAIN BOOM	Y00K2031	48	41	1E03
E1900013499	シ"キ"リ"カ" KIT, SEAL	Y00K2031	69	16	1F09	E1900024301	シ"キ ROD, PISTON	Y00K2031	64	13	1F04
			70	16	1F10	E1900024307	パイ"カ" PIPE	Y00K2031	64	21	1F04

PART NO.	DESCRIPTION	PC NO.	GRP.	REF.	LOC. NO.	PART NO.	DESCRIPTION	PC NO.	GRP.	REF.	LOC. NO.
E1900024400	TUBE "MAIN BOOM" CYLINDER, MAIN BOOM	Y00K2031	49	41	1E04	E1900029300	"MAIN BOOM" CYLINDER, MAIN BOOM	Y00K2031	48	41-1	1E03
E1900024401	ROD, PISTON	Y00K2031	65	1	1F05	E1900029304	RETAINER	Y00K2031	64	16-1	1F04
E1900024403	COVER, ROD	Y00K2031	65	13	1F05	E1900029305	CUSHION, ROD	Y00K2031	67	16	1F07
E1900024404	RETAINER	Y00K2031	65	15	1F05	E1900029316	BEARING	Y00K2031	67	17	1F07
E1900024407	TUBE	Y00K2031	66	15	1F06	E1900030400	CYL. ASSY, SWING	Y00K2031	64	17-1	1F04
E1900024411	SPRING	Y00K2031	65	16	1F05	E1900030401	PISTON	Y00K2031	67	24	1F07
E1900024415	SPACER	Y00K2031	66	16	1F06	E1900030403	COVER, ROD	Y00K2031	11	30	1B12
E1900024425	COILED SCRAPER	Y00K2031	65	16	1F05	E1900030404	RETAINER	Y00K2031	12	29	1B13
E1900024429	SEAL SET	Y00K2031	66	21	1F06	E1900030405	CUSHION	Y00K2031	74	1	1F14
E1900024900	CYL., BUCKET	Y00K2031	65	27	1F05	E1900030406	PISTON	Y00K2031	74	12	1F14
E1900024901	ROD, PISTON	Y00K2031	66	27	1F06	E1900030407	TUBE	Y00K2031	74	14	1F14
E1900026500	CYLINDER, ARM	Y00K2031	68	22	1F08	E1900030409	NUT	Y00K2031	74	15	1F14
E1900026507	TUBE, CYLINDER	Y00K2031	65	17	1F05	E1900030415	SPECER	Y00K2031	74	16	1F14
E1900026509	CASTLE NUT	Y00K2031	66	17	1F06	E1900030416	CUSHION RING	Y00K2031	74	18	1F14
E1900026600	CYL. ASSY, MAIN BOOM	Y00K2031	68	24	1F08	E1900030450	PLATE	Y00K2031	74	17	1F14
E1900026601	ROD, PISTON	Y00K2031	65	24	1F05	E1900030499	SEAL SET	Y00K2031	74	2	1F14
E1900026606	PISTON	Y00K2031	49	43	1E04	E1900030500	CYL. ASSY, MAIN BOOM	Y00K2031	50	41	1E05
E1900026607	TUBE	Y00K2031	50	43	1E05	E1900030501	PISTON ROD	Y00K2031	67	1	1F07
			51	51	1E06	E1900030503	COVER, ROD	Y00K2031	67	13	1F07
			71	1	1F11	E1900030507	TUBE	Y00K2031	67	15	1F07
			71	11	1F11	E1900030599	SEAL SET	Y00K2031	68	15	1E08
			49	42	1E04	E1900030699	SEAL SET	Y00K2031	67	21	1F07
			69	1	1F09	E1900031900	MAIN BOOM CYLINDER	Y00K2031	67	2	1E07
			69	18	1F09				68	2	1F08
			49	41-1	1E04				51	49	1E06
			66	1	1F06				68	1	1F08
			66	13	1F06						
			66	20	1F06						
			66	21	1F06						

7"ELHAKIANKUKU" PART NO.	7"ELHAKI DESCRIPTION	PC NO.	7"ELHAKIANKUKU" GRP. REF.	7"ELHAKIANKUKU" LOC.NO.	7"ELHAKIANKUKU" PART NO.	7"ELHAKIANKUKU" DESCRIPTION	PC NO.	7"ELHAKIANKUKU" GRP. REF.	7"ELHAKIANKUKU" LOC.NO.	
E1900031901	MAIN BOOM CYLINDER E"ATONOT" ROD, PISTON	Y00K2031	68	13	1F08	E1901009841 7"ELHAKIANKUKU" HOLDER, SEAL	Y00K2031	62	20	1F02
E1900031907	7"ELHAKIANKUKU" TUBE	Y00K2031	68	20	1F08	E1901009866 7"ELHAKIANKUKU" CHECK, PLUNGER	Y00K2031	93	20	1H01
E1901000054	7"ELHAKIANKUKU" VALVE, RELIEF	Y00K2031	61	47	1E16	E1901011691 7"ELHAKIANKUKU" WASHER	Y00K2031	62	25	1F02
E1901000055	E"ATONOT" RELIEF, OVER ROAD	Y00K2031	61	48	1E16	E1901013217 7"ELHAKIANKUKU" HOUSING SET (BLADE)	Y00K2031	93	25	1H01
E1901000087	E"ATONOT" VALVE	Y00K2031	61	49	1E16	E1901013258 7"ELHAKIANKUKU" SPRING	Y00K2031	61	16	1E16
E1901000157	7"ELHAKIANKUKU" SPRING	Y00K2031	61	40	1E16	E1901013261 7"ELHAKIANKUKU" COVER, SPRING	Y00K2031	61	6	1E16
E1901000166	7"ELHAKIANKUKU" CHECK, PLUNGER	Y00K2031	61	39	1E16	E1901013291 7"ELHAKIANKUKU" STOPPER	Y00K2031	61	33	1E16
E1901003756	7"ELHAKIANKUKU" SPRING	Y00K2031	92	9	1G16	E1901013292 7"ELHAKIANKUKU" FLANGE	Y00K2031	61	29	1E16
E1901004151	7"ELHAKIANKUKU" HOLDER, SPRING	Y00K2031	62	17	1F02	E1901014356 7"ELHAKIANKUKU" SPRING	Y00K2031	61	32	1E16
E1901004162	7"ELHAKIANKUKU" COVER	Y00K2031	93	17	1H01	E1901014414 7"ELHAKIANKUKU" HOUSING, BUCKET	Y00K2031	62	18	1F02
E1901004166	7"ELHAKIANKUKU" PLUG	Y00K2031	62	16	1F02	E1901015112 7"ELHAKIANKUKU" HOUSING, BOOM	Y00K2031	93	18	1H01
E1901004301	7"ELHAKIANKUKU" HOUSING, INLET	Y00K2031	93	16	1H01	E1901016101 7"ELHAKIANKUKU" HOUSING, INLET	Y00K2031	61	8	1E16
E1901004341	7"ELHAKIANKUKU" HOLDER, SEAL	Y00K2031	62	28	1F02	E1901016102 7"ELHAKIANKUKU" HOUSING, INLET (P2)	Y00K2031	61	10	1E16
E1901004351	7"ELHAKIANKUKU" HOLDER, SPRING	Y00K2031	61	17	1E16	E1901016103 7"ELHAKIANKUKU" HOUSING	Y00K2031	93	12	1H01
E1901004356	7"ELHAKIANKUKU" SPRING	Y00K2031	61	18	1E16	E1901016104 7"ELHAKIANKUKU" HOUSING, OUTLET	Y00K2031	62	13	1F02
E1901004357	7"ELHAKIANKUKU" SPRING	Y00K2031	61	25	1E16	E1901016105 7"ELHAKIANKUKU" HOUSING, INLET (P1)	Y00K2031	93	6	1H01
E1901004366	7"ELHAKIANKUKU" PLUNGER, CHECK	Y00K2031	61	24	1E16	E1901016107 7"ELHAKIANKUKU" TIE ROD	Y00K2031	62	14	1F02
E1901005202	7"ELHAKIANKUKU" INLET, HOUSING	Y00K2031	61	13	1E16	E1901016111 7"ELHAKIANKUKU" HOUSING	Y00K2031	62	15	1F02
E1901005803	7"ELHAKIANKUKU" INLET, HOUSING	Y00K2031	61	11	1E16	E1901016112 7"ELHAKIANKUKU" HOUSING	Y00K2031	93	15	1H01
E1901007502	7"ELHAKIANKUKU" PLATE	Y00K2031	61	12	1E16	E1901016113 7"ELHAKIANKUKU" HOUSING	Y00K2031	62	40	1F02
E1901007593	7"ELHAKIANKUKU" POPPET	Y00K2031	61	30	1E16	E1901016114 7"ELHAKIANKUKU" HOUSING	Y00K2031	93	40	1H01
E1901007594	7"ELHAKIANKUKU" PIPE	Y00K2031	61	60	1F01	E1901016115 7"ELHAKIANKUKU" HOUSING	Y00K2031	62	11	1F02
E1901007595	7"ELHAKIANKUKU" FLANGE	Y00K2031	61	31	1E16		Y00K2031	93	11	1H01
E1901007596	7"ELHAKIANKUKU" NIPPLE	Y00K2031	61	58	1F01		Y00K2031	62	7	1F02
E1901007597	7"ELHAKIANKUKU" ELBOW, LONG	Y00K2031	61	59	1F01		Y00K2031	93	7	1H01

PC NO.	GRP.	REF.	LOC. NO.	PC NO.	GRP.	REF.	LOC. NO.
E1901016115	93	10	1H01	E1901020121	93	42	1H01
E1901016116	62	5	1F02	E1901020300	88	1	1G12
E1901016119	93	5	1H01	E1901020304	93	1	1H01
E1901016156	62	26	1F02	E1901020306	62	39	1F02
E1901016157	93	26	1H01	E1901020313	93	39	1H01
E1901016190	93	31	1H01	E1901020314	93	9	1H01
E1901016191	62	30	1F02	E1901020317	93	2	1H01
E1901016192	93	30	1H01	E1901020318	93	3	1H01
E1901016822	62	32	1F02	E1901020319	93	8	1H01
E1901016915	93	32	1H01	E1901020383	93	50	1H01
E1901016916	62	45	1F02	E1901020384	93	52	1H01
E1901017300	61	45	1H01	E1901020391	93	51	1H01
E1901017304	61	7	1E16	E1901501100	62	19	1F02
E1901017306	61	2	1E16	E1901511000	63	1	1F03
E1901017312	30	9	1C15	E1901701803	4	3	1B05
E1901017318	61	1	1E16	E1901701804	92	5	1G16
E1901017319	61	5	1E16	E1901701805	92	6	1G16
E1901019122	61	4	1E16	E1901708500	92	7	1G16
E1901019217	61	9	1E16	E1901708713	8	17	1B09
E1901019218	61	9-1	1E16	E1901708717	63	4	1F03
E1901019221	62	48	1F02	E1901710403	92	10	1G16
E1901020100	93	48	1H01	E1901712400	92	11	1G16
	62	3	1F02	E1902001199	92	16	1G16
	62	10	1F02	E1902004900	88	18	1G12
	62	42	1F02		92	1	1G16
	31	1	1C16		76	2	1F16
	62	1	1F02		36	14	1B05

(MF NO. Y00K2031)

-----+
+ 2L05 +
-----+

*** PARTS INDEX ***

86.10.17

P. 37

7777777777 PART NO.	7777777777 DESCRIPTION	PC NO.	7777777777 GRP. REF.	7777777777 LOC. NO.	7777777777 PART NO.	7777777777 DESCRIPTION	PC NO.	7777777777 GRP. REF.	7777777777 LOC. NO.
E1902004900	PUMP ASSY, HYD. OIL	Y00K2031	76	1 1F16	E1905009035	HOSE, HIGH PRESS.	Y00K2031	91	15 1G15
E1902006299	2777777777 ASSY	Y00K2031	77	2 1G01	E1905009050	7777777777	Y00K2031	53	8 1E08
E1902007800	SEAL KIT	Y00K2031	36	15 1D05	E1905009075	HOSE, HIGH-PRESSURE	Y00K2031	54	14 1E09
E1903001799	2777777777 ASSY	Y00K2031	77	1 1G01	E1905009110	7777777777	Y00K2031	54	13 1E09
E1903004300	PUMP ASSY, HYD. OIL	Y00K2031	75	12 1F15	E1905009114	HOSE, HIGH PRESS.	Y00K2031	54	24 1E09
E1903004301	7777777777	Y00K2031	4	1 1B05	E1905009118	7777777777	Y00K2031	54	25 1E09
E1903004301	MOTOR, DRIVE	Y00K2031	75	1 1F15	E1905109085	HOSE, HIGH PRESS.	Y00K2031	53	9-1 1E08
E1903004301	7777777777 ASS'Y, HOLDER ASS'Y.	Y00K2031	75	3 1F15	E1905209110	7777777777	Y00K2031	53	7 1E08
E1903004303	7777777777	Y00K2031	80	3 1G04	E1905212090	HOSE, HIGH-PRESSURE	Y00K2031	33	8 1D02
E1903004303	BUCK UP RING	Y00K2031	75	4 1F15	E1905212100	7777777777	Y00K2031	32	6 1D01
E1903004305	X-RING	Y00K2031	75	5 1F15	E1905212105	HOSE, HIGH-PRESS.	Y00K2031	33	7 1D02
E1903004308	X-RING	Y00K2031	80	5 1G04	E1905212140	7777777777	Y00K2031	32	7 1D01
E1903004308	DRIVE GEAR	Y00K2031	75	6 1F15	E1905309090	HOSE, HIGH-PRESS.	Y00K2031	53	10-1 1E08
E1903004320	7777777777	Y00K2031	80	6 1G04	E1905512140	7777777777	Y00K2031	33	6 1D02
E1903004320	PIECE, THRUST	Y00K2031	75	8 1F15	E1905903075	HOSE, HIGH-PRESS.	Y00K2031	91	14 1G15
E1903004321	7777777777	Y00K2031	80	9 1G04	E1905903110	7777777777	Y00K2031	91	13 1G15
E1903004321	COVER	Y00K2031	75	2 1F15	E1905903114	HOSE, HIGH PRESS.	Y00K2031	91	24 1G15
E1903004399	7777777777	Y00K2031	80	2 1G04	E1905903118	7777777777	Y00K2031	91	25 1G15
E1903004400	KIT, SEAL	Y00K2031	8	12 1D09	E1908109085	HOSE, HIGH PRESS.	Y00K2031	53	9 1E08
E1903004400	MOTOR, TURNING	Y00K2031	75	11 1F15	E1908309070	7777777777	Y00K2031	7	1 1B08
E1903006700	7777777777 ASSY	Y00K2031	78	25 1G02	E1908309090	HOSE, HIGH-PRESSURE	Y00K2031	53	10 1E08
E1903006700	MOTOR, DRIVING	Y00K2031	79	25 1G03	E1908609075	7777777777	Y00K2031	7	2 1B08
E1904000893	7777777777	Y00K2031	80	1 1G04	E1909008025	HOSE, HIGH-PRESS.	Y00K2031	34	5 1D03
E1904000893	CIRCLIP, SHAFT	Y00K2031	60	12 1E15	E1909008030	7777777777	Y00K2031	34	6 1D03
E1904001695	7777777777	Y00K2031	60	3 1E15	E1909008033	HOSE, HIGH-PRESS.	Y00K2031	34	15 1D03
E1904003791	SEAL, DUST	Y00K2031	60	11 1E15					
E1904003791	7777777777	Y00K2031	60	2 1E15					
E1904003799	WASHER, THRUST	Y00K2031	60	2 1E15					
E1904003799	7777777777	Y00K2031	60	2 1E15					
E1904003800	SEAL KIT	Y00K2031	1	18 1B02					
E1904003800	7777777777	Y00K2031	60	1 1E15					
E1904003800	JOINT	Y00K2031	91	26 1G15					
E1904790001	7777777777	Y00K2031	91	26 1G15					
E1904790001	HOSE, HIGH PRESS.	Y00K2031	91	26 1G15					
E1905009035	7777777777	Y00K2031	54	15 1E09					

PC NO.	DESCRIPTION	GRP.	REF.	LOC. NO.	PC NO.	DESCRIPTION	GRP.	REF.	LOC. NO.
Y00K2031	PIPE, HIGH-PRESSURE	34	7	1003	Y00K2031	BUSH TRUCK PIN	1	28	1802
Y00K2031	HOSE, HIGH-PRESSURE	35	15	1004	Y00K2031	SHOE ASSY	1	35	1802
Y00K2031	HOSE, HIGH-PRESSURE	89	4	1613	Y00K2031	SHOE ASSY	1	24	1802
Y00K2031	HOSE, HIGH-PRESSURE	35	27	1004	Y00K2031	PIN, MASTER	1	29	1802
Y00K2031	PIPE, HIGH PRESSURE	89	8	1613	Y00K2031	PLATE ASSY, SHOE	1	36	1802
Y00K2031	HOSE, HIGH-PRESSURE	34	8	1003	Y00K2031	PLATE ASSY, SHOE	1	25	1802
Y00K2031	HOSE, HIGH-PRESSURE	35	16	1004	Y00K2031	PLATE ASSY, SHOE	1	26	1802
Y00K2031	HOSE, HIGH-PRESS.	89	5	1613	Y00K2031	CRAWLER ASSY, WIDE	1	31	1802
Y00K2031	HOSE, HIGH-PRESSURE	89	6	1613	Y00K2031	PLATE ASSY, SHOE	1	32	1802
Y00K2031	HOSE, HIGH-PRESSURE	34	11	1003	Y00K2031	PLATE ASSY, SHOE	1	33	1802
Y00K2031	HOSE, HIGH-PRESSURE	89	7	1613	Y00K2031	CRAWLER, RUBBER	78	4	1602
Y00K2031	HOSE, HIGH-PRESSURE	35	17	1004	Y00K2031	SEAT	79	4	1603
Y00K2031	HOSE, HIGH-PRESSURE	35	26	1004	Y00K2031	CLAMP	45	1	1D14
Y00K2031	HOSE, HIGH-PRESSURE	34	13	1003	Y00K2031	CLAMP	130	7	1K01
Y00K2031	HOSE, HIGH-PRESS.	34	10	1003	Y00K2031	COLLAR	130	2	1K01
Y00K2031	COCK	23	29	1C08	Y00K2031	COLLAR	130	3	1K01
Y00K2031	HEATER	24	29	1C09	Y00K2031	SHAFT	130	4	1K01
Y00K2031	HEATER	95	5	1H03	Y00K2031	PULLEY	130	5	1K01
Y00K2031	CLAMP	96	5	1H04	Y00K2031	PLATE ASSY	130	6	1K01
Y00K2031	CLAMP	95	9	1H03	Y00K2031	PLATE	130	8	1K01
Y00K2031	VALVE	96	7	1H04	Y00K2031	PLATE	130	9	1K01
Y00K2031	HEATER SWITCH	95	11	1H03	Y00K2031	FLYWHEEL	130	16	1K01
Y00K2031	DEFROSTER	96	9	1H04	Y00K2031	WASHER 10	130	17	1K01
Y00K2031	HOSE, HEATER	96	15	1H04	Y00K2031	WASHER 10	130	10	1K01
Y00K2031	BEARING, TURNING	95	8	1H03	Y00K2031	B. BEARING #62012ZC3	130	10	1K01
Y00K2031	BEARING, TURNING	96	6	1H04	Y00K2031	COUPLER	130	11	1K01
Y00K2031	BEARING, TURNING	1	12	1B02	Y00K2031	BOLT M4X12	129	23	1J16
Y00K2031	BUSH	1	27	1B02	Y00K2031	BOLT M 4X 12	129	6	1J16
Y00K2031	BUSH	34	1802	1B02	Y00K2031	SCREW	129	22	1J16
					Y00K2031	SCREW	129	22	1J16

7"LC" H"K"K"K"K" PART NO.	7"LC" M"Y DESCRIPTION	PC NO.	7"LC" M"Y GRP. REF.	7"LC" M"Y LOC. NO.	7"LC" H"K"K"K"K" PART NO.	7"LC" M"Y DESCRIPTION	PC NO.	7"LC" M"Y GRP. REF.	7"LC" M"Y LOC. NO.
X21201110	BOLT STOPPER SET	Y00K2031	129	4	1J16	102103-55520	O-RING	Y00K2031	122 22 1J09
X21201115	WASHER SET, THRUST	Y00K2031	129	3	1J16	103854-11490	INSULATOR	Y00K2031	105 52 1108
X21201313	SPRING, BRUSH	Y00K2031	129	12	1J16	103854-51251	PIN, PLUNGER	Y00K2031	120 31 1J07
X21201605	LEVER SET	Y00K2031	129	19	1J16	103854-51660	SCREW	Y00K2031	120 27 1J07
X21202601	METAL, GEAR CASE	Y00K2031	129	17	1J16	103854-53100	HOLDER ASSY, NOZZLE	Y00K2031	121 4 1J08
X21202602	COVER SET	Y00K2031	129	18	1J16	103854-53120	SPRING, NOZZLE	Y00K2031	121 6 1J08
X212037002	SWITCH ASSY, MAGNET.	Y00K2031	129	20	1J16	103854-53180	RETAINER, SPRING	Y00K2031	121 9 1J08
X21204259	COIL ASSY	Y00K2031	129	5	1J16	104104-67300	SPRING, RETURN	Y00K2031	126 14 1J13
X21204302	METAL, COVER BEARING	Y00K2031	129	9	1J16	104200-11180	RETAINER, SPRING	Y00K2031	105 8 1108
X21204401	METAL, CENTER BERG.	Y00K2031	129	14	1J16	104200-14200	TAPPET	Y00K2031	108 7 1111
X212045001	PINION ASSY	Y00K2031	129	15	1J16	104200-22300	PIN, PISTON	Y00K2031	110 7 1113
X21204810	BOLT, THROUGH	Y00K2031	129	21	1J16	104200-53080	HOLDER, VALVE W/CASE	Y00K2031	121 3 1J08
X21205310	HOLDER ASSY, BRUSH	Y00K2031	129	10	1J16	104200-55080	PLUG	Y00K2031	99 17 1102
X21205400	BEARING ASSY	Y00K2031	129	13	1J16	104200-55321	VALVE, TAPER	Y00K2031	122 5 1J09
X21205656	CASE ASSY, GEAR	Y00K2031	129	16	1J16	104200-55330	SPRING	Y00K2031	122 3 1J09
X21207100	ARMATURE ASSY	Y00K2031	129	2	1J16	104200-55341	HANDLE, COCK	Y00K2031	122 4 1J09
X21207312	BRUSH	Y00K2031	129	11	1J16	104200-55750	SCREW	Y00K2031	122 7 1J09
X21209311	BRUSH (+)	Y00K2031	129	7	1J16	104200-59170	GASKET 12	Y00K2031	124 8 1J11
X22501300	COVER ASSY, REAR	Y00K2031	129	8	1J16	104200-61200	WEIGHT, GOVERNOR	Y00K2031	125 4 1J12
101147-11900	FLANGE	Y00K2031	105	53	1108	104200-92350	SCREWDRIVER	Y00K2031	59 4 1E14
101147-59810	BOLT, PIPE JOINT	Y00K2031	124	18	1J11	104211-11100	VALVE, SUCTION	Y00K2031	105 3 1108
101158-11190	COTTER	Y00K2031	105	9	1108	104211-11110	VALVE, EXHAUST	Y00K2031	105 4 1108
101158-11230	SCREW, VALVE	Y00K2031	105	29	1108	104211-11370	CAP	Y00K2031	105 12 1108
101304-59020	JOINT 12, PIPE	Y00K2031	124	7	1J11	104211-21600	GEAR, RING	Y00K2031	109 11 1112
101720-55750	PLUG	Y00K2031	122	27	1J09	105025-59530	FO-T	Y00K2031	124 2 1J11
102103-55520	O-RING	Y00K2031	122	14	1J09				

7777777777 PART NO.	7777777777 DESCRIPTION	PC NO.	7777777777 GRP.	7777777777 REF.	7777777777 LOC. NO.	7777777777 PART NO.	7777777777 DESCRIPTION	PC NO.	7777777777 GRP.	7777777777 REF.	7777777777 LOC. NO.
						121420-01760	O-RING	Y00K2031	100	12	1103
105025-59530	FUEL PIPE (STR.-PUMP) FO-T (コシキ-ホウ)	Y00K2031	124	3	1J11		0-RING	Y00K2031	99	5	1102
				4	1J11	121450-01210	STUD, CYL. HEAD	Y00K2031	99	6	1102
105225-11350	コシキホウ (コシキ-ホウ) STUD	Y00K2031	105	11	1108	121450-01220	NUT, CYL. HEAD	Y00K2031	100	9	1103
105225-21501	コシキホウ (コシキ-ホウ) BOLT, FLYWHEEL	Y00K2031	109	7	1112	121450-01531	GASKET, COVER	Y00K2031	100	4	1103
105425-59512	FOH-I7* (コシキ-P) PIPE, FUEL OIL	Y00K2031	124	5	1J11	121450-01560	STUD M 8X22	Y00K2031	100	17	1103
110250-53150	FOH-I7* (コシキ-P) SHIM SET	Y00K2031	121	8	1J08	121450-01570	コシキホウ (コシキ-ホウ) STUD	Y00K2031	99	22	1102
110250-55610	SHIM SET RETAINER, BOWL	Y00K2031	122	15	1J09	121450-01710	コシキホウ (コシキ-ホウ) BOLT	Y00K2031	100	18	1103
				23	1J09	121450-01801	SEAL TC25 40 8, OIL	Y00K2031	99	26	1102
113200-53110	コシキホウ (コシキ-ホウ) SPINDLE	Y00K2031	121	5	1J08	121450-01951	SHIM SET	Y00K2031	99	10	1102
113200-53120	コシキホウ (コシキ-ホウ) SHOE, SPRING	Y00K2031	121	7	1J08	121450-01990	コシキホウ (コシキ-ホウ) PLUG 30	Y00K2031	103	2	1106
121000-42010	コシキホウ (コシキ-ホウ) PUMP ASSY, C. WATER	Y00K2031	116	1	1J03	121450-03012	コシキホウ (コシキ-ホウ) BODE, BREATHER	Y00K2031	103	3	1106
121000-42051	コシキホウ (コシキ-ホウ) PUMP ASSY, C. WATER	Y00K2031	116	2	1J03	121450-03020	コシキホウ (コシキ-ホウ) BODE, BREATHER	Y00K2031	103	4	1106
121000-42100	コシキホウ (コシキ-ホウ) PUMP ASSY, C. WATER	Y00K2031	116	3	1J03	121450-03030	コシキホウ (コシキ-ホウ) STEEL WOOL PD24W28T18	Y00K2031	105	44	1108
121000-42120	コシキホウ (コシキ-ホウ) BRACKET, C.W. PUMP	Y00K2031	116	10	1J03	121450-11260	コシキホウ (コシキ-ホウ) SUPPORT, ROCKER ARM	Y00K2031	105	45	1108
121023-12570	コシキホウ (コシキ-ホウ) PAD	Y00K2031	106	12	1J09	121450-11270	コシキホウ (コシキ-ホウ) SUPPORT, ROCKER ARM	Y00K2031	105	22	1108
121023-77910	コシキホウ (コシキ-ホウ) PLUG, THERMO START	Y00K2031	128	6	1J15	121450-11680	コシキホウ (コシキ-ホウ) GASKET, COVER	Y00K2031	108	5	1111
121085-01890	コシキホウ (コシキ-ホウ) PLUG	Y00K2031	100	7	1103	121450-14090	コシキホウ (コシキ-ホウ) CAM, FUEL	Y00K2031	108	3	1111
121120-12560	コシキホウ (コシキ-ホウ) WING BOLT	Y00K2031	106	8	1109	121450-14120	コシキホウ (コシキ-ホウ) NUT	Y00K2031	109	8	1112
121120-12570	コシキホウ (コシキ-ホウ) WASHER	Y00K2031	106	9	1109	121450-21541	コシキホウ (コシキ-ホウ) NUT, CRANK SHAFT GEAR	Y00K2031	112	1	1115
121120-77920	コシキホウ (コシキ-ホウ) WIRE	Y00K2031	128	7	1J15	121450-32021	コシキホウ (コシキ-ホウ) GASKET	Y00K2031	112	3	1115
121150-51460	コシキホウ (コシキ-ホウ) PIN	Y00K2031	120	23	1J07	121450-32050	コシキホウ (コシキ-ホウ) PIN	Y00K2031	116	6	1J03
121250-44901	コシキホウ (コシキ-ホウ) SWITCH, THERMO (110°C)	Y00K2031	117	3	1J04	121450-42240	コシキホウ (コシキ-ホウ) SHAFT, IMPELLER	Y00K2031	116	7	1J03
121250-49121	コシキホウ (コシキ-ホウ) PLUG	Y00K2031	118	6	1J05	121450-42260	コシキホウ (コシキ-ホウ) FLANGE, V-PULLEY	Y00K2031	116	8	1J03
121250-55620	コシキホウ (コシキ-ホウ) SPRING	Y00K2031	122	12	1J09	121450-42310	コシキホウ (コシキ-ホウ) SEAL, MECHANICAL	Y00K2031	116	13	1J03
121250-59860	コシキホウ (コシキ-ホウ) RETAINER (B)	Y00K2031	123	7	1J10	121450-42350	コシキホウ (コシキ-ホウ) V-PULLEY, C.W. PUMP	Y00K2031	116	14	1J03
121254-55510	コシキホウ (コシキ-ホウ) CUP, STRAINER	Y00K2031	122	16	1J09	121450-44410	コシキホウ (コシキ-ホウ) GASKET, BRACKET	Y00K2031	120	24	1J07
121257-55720	コシキホウ (コシキ-ホウ) SPRING	Y00K2031	122	24	1J09	121450-51500	コシキホウ (コシキ-ホウ) RACK, CONTROL	Y00K2031	120	24	1J07
121257-55731	コシキホウ (コシキ-ホウ) FLOAT	Y00K2031	122	25	1J09						

PART NO.	DESCRIPTION	PC NO.	GRP.	REF.	LOC. NO.	PART NO.	DESCRIPTION	PC NO.	GRP.	REF.	LOC. NO.
121450-59550	FO-T(OBXLB0 PIPE, FUEL RETURN	Y00K2031	124	15	1J11	121521-49010	RADIATOR パイラジエータ	Y00K2031	118	1	1J05
121450-59850	ブラケット(A) BRACKET (A)	Y00K2031	123	6	1J10	121521-49020	PIPE (A), C. WATER 冷却水パイプ(A)	Y00K2031	118	2	1J05
121450-61001	レバー、ゴバナー CMP LEVER, GOVERNOR	Y00K2031	125	1	1J12	121521-49100	PIPE, COOLING WATER 冷却水パイプ	Y00K2031	118	4	1J05
121450-61101	重り組立、ゴバナー WEIGHT ASSY, GOVERNOR	Y00K2031	125	3	1J12	121521-77330	BODY, COCK 調整器、ベルト	Y00K2031	127	5	1J14
121450-61631	スプリング (レギュレーター) SPRING	Y00K2031	125	9	1J12	121522-01600	FLANGE, MOUNTING フランジ	Y00K2031	99	21	1102
121450-66010	スプリング、レギュレーター SPRING, REGULATOR	Y00K2031	126	5	1J13	121522-21591	FLYWHEEL W/RING GEAR フライホイール歯車	Y00K2031	109	9	1112
121450-66170	ブッシュ、ゴバナーシャフト BUSH, GOV. SHAFT	Y00K2031	126	8	1J13	121522-21651	V7-リー V-PULLEY	Y00K2031	109	12	1112
121450-66180	レバー、アッシーリミット LEVER, ASSY LIMIT	Y00K2031	126	6	1J13	121522-59500	FO-TET CMP PIPE, FUEL RETURN	Y00K2031	124	10	1J11
121450-77200	ジェネレーター (12V-180W) GENERATOR	Y00K2031	127	4	1J14	121522-59560	FO-TET CMP PIPE, FUEL PIPE	Y00K2031	124	16	1J11
121454-66420	調整器 ADJUSTER	Y00K2031	130	1	1K01	121522-59810	FO-TET CMP (A) PIPE (A), F. INJECT	Y00K2031	123	3	1J10
121456-91981	ボルト M 8 X 16 BOLT M 8 X 16	Y00K2031	102	2	1105	121522-59820	FO-TET CMP PIPE, FUEL INJECTION	Y00K2031	123	4	1J10
121465-11950	ナット (調整器) NUT	Y00K2031	105	24	1108	121522-59830	FO-TET CMP PIPE, FUEL INJECTION	Y00K2031	123	5	1J10
121465-13582	ボルト 8 X 58 BOLT 8 X 58	Y00K2031	107	8	1110	121522-77101	リレー (SN2202) RELAY	Y00K2031	26	18	1C11
121465-59950	ボルト M 6 X 16, PLATED BOLT M 6 X 16, PLATED	Y00K2031	123	8	1J10				27	18	1C12
121500-12730	空気取り入れ管 (OMP) MANIFOLD, AIR INTAKE	Y00K2031	106	14	1109	121522-77712	リミッター (RS5105) LIMITER	Y00K2031	26	17	1C11
121500-12790	ジョイント PT1/4 JOINT	Y00K2031	106	16	1109				27	17	1C12
121500-49030	パイプ (C), C. WATER PIPE (C), C. WATER	Y00K2031	118	3	1J05	121522-77721	充電指示器 (CS9009) INDICATOR, CHARGING	Y00K2031	26	19	1C11
121505-12210	パイプ、空気取り入れ管 PIPE, AIR INTAKE	Y00K2031	106	2	1109				27	19	1C12
121505-12580	ブラケット組立 BRACKET ASSY.	Y00K2031	106	10	1109	121550-01200	シリンダーヘッド BOLT, CYL. HEAD	Y00K2031	99	19	1102
121520-01850	ガスケット (シリンダーヘッド) GASKET	Y00K2031	99	28	1102	121550-01331	シリンダーヘッドガスケット GASKET, CYL. HEAD	Y00K2031	99	20	1102
121520-01860	カバー COVER	Y00K2031	99	29	1102	121550-02110	メインベアリング MAIN BEARING	Y00K2031	101	3	1104
121520-02100	メインベアリング MAIN BEARING	Y00K2031	101	5	1104	121550-02300	ボルト (シリンダーヘッド) BOLT	Y00K2031	101	20	1104
121520-11300	ボンネット BONNET, CYL. HEAD	Y00K2031	105	37	1108	121550-11240	シャフト、ロッカーアーム SHAFT, ROCKER ARM	Y00K2031	105	41	1108
121520-35090	パイプ、オイルインレット PIPE, OIL INLET	Y00K2031	114	1	1J01	121550-11280	スプリング SPRING	Y00K2031	105	46	1108
121520-61520	ベアリング、ニードル BEARING, NEEDLE	Y00K2031	125	6	1J12	121550-11290	ワッシャー WASHER	Y00K2031	105	47	1108
121520-61620	サポート SUPPORT	Y00K2031	125	8	1J12	121550-11310	ガスケット、ボンネット GASKET, BONNET	Y00K2031	105	38	1108
121521-44500	パイプ (F) PIPE (F)	Y00K2031	117	1	1J04	121550-11400		Y00K2031	105	49	1108

PART NO.	DESCRIPTION	PC NO.	GRP.	REF.	LOC. NO.	PART NO.	DESCRIPTION	PC NO.	GRP.	REF.	LOC. NO.
124450-35110	GASKET O-RING (L) (12)	Y00K2031	114	5	1J01	124950-11340	NOZZLE ASSY, F. INJECT	Y00K2031	105	10	1108
124450-39240	O-RING	Y00K2031	115	3	1J02	124950-51190	SEAL, VALVE STEM	Y00K2031	120	8	1J07
124460-77820	RETAINER, PIPE BRACKET (B), TANK	Y00K2031	38	31	1007	124950-51270	SPRING, PLUNGER	Y00K2031	120	14	1J07
124465-44950	PACKING 16	Y00K2031	128	5	1J15	124950-51450	PACKING	Y00K2031	120	22	1J07
124550-35110	ELEMENT, LUB OIL	Y00K2031	117	4	1J04	124950-51510	PIECE, GUIDE	Y00K2031	120	25	1J07
124550-35350	REMOVER	Y00K2031	114	4	1J01	124950-51640	PINION	Y00K2031	120	26	1J07
124550-51320	SPRING, DELIV. VALVE	Y00K2031	59	6	1E14	128272-11170	FOFOL (1) COMP	Y00K2031	105	7	1108
124550-51341	RETAINER	Y00K2031	132	1	1K03	129155-59190	SHIM SET, CONTROL	Y00K2031	124	9	1J11
124550-51350	GASKET	Y00K2031	120	18	1J07	129301-02801	BOLT, PIPE JOINT	Y00K2031	102	1	1105
124550-51370	O-RING	Y00K2031	120	19	1J07	129301-11670	HOUSING	Y00K2031	105	21	1108
124550-55700	STRAINER, FUEL	Y00K2031	120	20	1J07	129305-07950	COVER	Y00K2031	104	1	1107
124550-59030	JOINT, PIPE	Y00K2031	120	21	1J07	129322-77400	PUMP, FEED	Y00K2031	38	33	1007
124550-59090	JOINT, PIPE	Y00K2031	124	13	1J11	129327-01550	COVER, CYL BLOCK	Y00K2031	100	10	1103
124550-59820	BOLT 8, PIPE JOINT	Y00K2031	124	11	1J11	129327-13650	STAY	Y00K2031	107	9	1110
124550-66370	LOCK NUT	Y00K2031	115	5	1J02	129327-66000	HANDLE ASSY, REGULAT	Y00K2031	126	2	1J13
124550-77030	COVER, TERMINAL	Y00K2031	126	11	1J13	129327-66200	SUPPORT, ACCELE. WIR	Y00K2031	126	10	1J13
124700-44740	FAN, COOLING	Y00K2031	127	2	1J14	129334-77710	PIPE, FUEL	Y00K2031	128	2	1J15
124722-49150	HOSE (A), WATER DRAIN	Y00K2031	117	8	1J04	129335-55700	SEPARATOR, WATER	Y00K2031	38	32	1007
124732-77720	LAMP, CHARGING	Y00K2031	118	7	1J05	129350-01230	STUD, CYL. HEAD	Y00K2031	122	17	1J09
124732-77850	THERMOMETER	Y00K2031	25	7	1C10	129350-02050	PIPE	Y00K2031	99	7	1102
124732-77970	LAMP, PILOT	Y00K2031	131	1	1K02	129350-02070	BOLT	Y00K2031	101	13	1104
124756-12510	ELEMENT, AIR CLEANER	Y00K2031	25	10	1C10	129350-02070	BOLT	Y00K2031	101	10	1104
124766-59050	CLAMP 12	Y00K2031	131	2	1K02	129350-12500	CLEANER, AIR	Y00K2031	106	3	1109
124770-53000	COMP	Y00K2031	131	3	1K02	129350-12520	BODY, AIR CLEANER	Y00K2031	106	5	1109
			106	4	1I09	129350-12530	PAN, ASSY, DUST	Y00K2031	106	6	1109
			118	10	1J05	129350-12540	PAN, ASSY, DUST	Y00K2031	106	7	1109
			124	6	1J11						
			121	2	1J08						

7"EC" H"K"Y"Y" PART NO.	7"EC" H"Y" DESCRIPTION	PC NO.	7"EC" H"Y"Y" GRP.	7"EC" H"Y"Y" REF.	7"EC" H"Y"Y" LOC. NO.	7"EC" H"K"Y"Y" PART NO.	7"EC" H"Y" DESCRIPTION	PC NO.	7"EC" H"Y"Y" GRP.	7"EC" H"Y"Y" REF.	7"EC" H"Y"Y" LOC. NO.
129350-21200	BAFFLE 2522444	Y00K2031	109	13	1112	22137-040000	7"K"K"K" (7"K"K"K" 4 WASHER 4	Y00K2031	25	39	1C10
129350-32090	GEAR, CRANK LO-7"K"K"K" CMP PUMP ASSY, LUB OIL	Y00K2031	112	2	1115	22137-080000	7"K"K"K" (7"K"K"K" 8 WASHER 8	Y00K2031	25	18	1C10
129350-42200	IMPPELLER	Y00K2031	116	5	1J03				40	36	1009
129350-49530	COVER, THERMOSTAT	Y00K2031	119	1	1J06	22137-100000	7"K"K"K" (7"K"K"K" 10 WASHER 10	Y00K2031	40	37	1009
129350-49540	GASKET	Y00K2031	119	2	1J06	22137-120000	7"K"K"K" (7"K"K"K" 12 WASHER 12	Y00K2031	40	38	1009
129350-49800	THERMOSTAT	Y00K2031	119	3	1J06	22217-040000	7"K"K"K" (7"K"K"K" 4 SPRING WASHER 4	Y00K2031	130	12	1K01
129350-55600	FOUNTAIN CMP STRAINER ASSY, FUEL	Y00K2031	38	29	1007	22217-050000	7"K"K"K" (7"K"K"K" 5 SPRING WASHER 5	Y00K2031	46	81	1016
129350-55810	BUITON	Y00K2031	122	1	1J09				83	13	1607
129350-55820	SPRING	Y00K2031	122	8	1J09				84	18	1608
129350-55830	RETAINER	Y00K2031	122	9	1J09	22217-060000	7"K"K"K" (7"K"K"K" 6 SPRING WASHER 6	Y00K2031	120	33	1J07
129350-61600	SLEEVE, GOVERNOR	Y00K2031	125	10	1J09				13	39	1814
129530-14100	GEAR, CAMSHAFT	Y00K2031	108	7	1J12				15	54	1816
135210-61090	LEAD	Y00K2031	126	1	1J13				25	34	1C10
171008-03990	CLAMP, 25	Y00K2031	106	1	1109				26	22	1C11
171051-01921	PLUG	Y00K2031	99	6	1111				38	28	1007
171061-12740	CAP	Y00K2031	106	17	1109	22217-080000	7"K"K"K" (7"K"K"K" 8 SPRING WASHER 8	Y00K2031	100	13	1103
171067-13510	SILENCER	Y00K2031	107	6	1110				9	7	1810
171081-55910	SCREEN	Y00K2031	122	29	1J09				10	7	1811
172100-22400	CIRCLIP	Y00K2031	110	8	1113				13	34	1814
172100-53200	GASKET	Y00K2031	121	10	1J08				15	50	1816
172200-61220	PIN, GOVERNOR WEIGHT	Y00K2031	125	5	1J12				17	44	1C02
174100-54120	PIN, ROLLER	Y00K2031	120	13	1J07				19	25	1C04
174307-51170	RETAINER A	Y00K2031	120	6	1J07				21	20	1C06
174307-51181	RETAINER B	Y00K2031	120	7	1J07				23	20	1C08
174307-51700	SHIM SET	Y00K2031	120	28	1J07				25	16	1C10
22117-050000	WASHER 5	Y00K2031	120	32	1J07				26	11	1C11
									30	3	1C15
									32	22	1001
									38	27	1007
									39	33	1008
									40	34	1009
									43	33	1012
									45	2	1014
									46	66	1015
									49	50	1E04

7"LC" H"K"K"K" PART NO.	7"LC" H"K"K"K" DESCRIPTION	PC NO.	7"LC" H"K"K"K" GRP.	7"LC" H"K"K"K" REF.	7"LC" H"K"K"K" LOC. NO.	7"LC" H"K"K"K" PART NO.	7"LC" H"K"K"K" DESCRIPTION	PC NO.	7"LC" H"K"K"K" GRP.	7"LC" H"K"K"K" REF.	7"LC" H"K"K"K" LOC. NO.
24101-063050	7"LC" H"K"K"K" 6305 BALL BEARING	Y00K2031	100	19	1103	26106-080122	7"LC" H"K"K"K" 8X 12 BOLT M 8X 12 PLATED	Y00K2031	126	18	1J13
24120-110001	7"LC" H"K"K"K" 11/32 BALL 11/32	Y00K2031	105	43	1108	26106-080142	7"LC" H"K"K"K" 8X 14 BOLT M 8X 14 PLATED	Y00K2031	107	11	1110
24311-000040	0"K"K" 1A P 4.0 O-RING 1A P-4.0	Y00K2031	122	11	1J09	26106-080162	7"LC" H"K"K"K" 8X 16 BOLT M 8X 16 PLATED	Y00K2031	103	7	1106
24311-000070	0"K"K" 1A P 7.0 O-RING 1A P7	Y00K2031	126	4	1J13	26106-080182	7"LC" H"K"K"K" 8X 18 BOLT M 8X 18 PLATED	Y00K2031	106	20	1109
24311-000100	0"K"K" 1A P 10.0 O-RING 1A P-10.0	Y00K2031	99	12	1102	26106-080752	7"LC" H"K"K"K" 8X 75 BOLT M 8X 75 PLATED	Y00K2031	107	12	1110
24311-000120	0"K"K" P-12 O-RING 1A P-12.0	Y00K2031	105	55	1108	26106-080822	7"LC" H"K"K"K" 8X 82 BOLT M 8X 82 PLATED	Y00K2031	119	4	1J06
24311-000160	0"K"K" 1A P 16.0 O-RING 1A P-16.0	Y00K2031	118	12	1J05	26106-080852	7"LC" H"K"K"K" 8X 85 BOLT M 8X 85 PLATED	Y00K2031	100	20	1103
24311-000320	0"K"K" 1A P 32.0 O-RING 1A P-32.0	Y00K2031	105	40	1108	26106-080872	7"LC" H"K"K"K" 8X 87 BOLT M 8X 87 PLATED	Y00K2031	116	15	1103
24311-240100	0"K"K" 1A P 10A O-RING 1A P-10A	Y00K2031	122	6	1J09	26106-081052	7"LC" H"K"K"K" 8X105 BOLT M 8X105 PLATED	Y00K2031	116	16	1J03
24315-000200	0"K"K" 1B P 20.0 O-RING 1B P-20.0	Y00K2031	8	16	1B09	26106-081152	7"LC" H"K"K"K" 8X115 BOLT M 8X115 PLATED	Y00K2031	116	17	1J03
24321-000600	0"K"K" 1A G 60.0 O-RING 1A G-60.0	Y00K2031	60	6	1E15	26116-060102	7"LC" H"K"K"K" 6X 10 BOLT M 6X 10 PLATED	Y00K2031	100	21	1103
24341-000400	0"K"K" 1A S 40.0 O-RING 1A S-40.0	Y00K2031	103	6	1106	26116-060122	7"LC" H"K"K"K" 6X 12 BOLT M 6X 12 PLATED	Y00K2031	38	24	1007
24341-000460	0"K"K" 1A S 46.0 O-RING 1A S-46.0	Y00K2031	102	6	1105	26116-060142	7"LC" H"K"K"K" 6X 14 BOLT M 6X 14 PLATED	Y00K2031	123	9	1J10
24341-001350	0"K"K" 1A S135.0 O-RING 1A S-135.0	Y00K2031	101	7	1104	26116-060162	7"LC" H"K"K"K" 6X 16 BOLT M 6X 16 PLATED	Y00K2031	25	31	1C10
24761-020000	2"K"K"=27"K" P11/8 NIPPLE PT1/8, GREASE	Y00K2031	28	1	1C13			Y00K2031	84	14	1608
24761-040000	2"K"K"=27"K" B. K"K"2 NIPPLE B, GREASE	Y00K2031	97	26	1H05			Y00K2031	13	38	1B14
26013-060222	7"LC" H"K"K"K" 6X 22 BOLT M 6X 22	Y00K2031	112	4	1115	26116-060162	7"LC" H"K"K"K" 6X 16 BOLT M 6X 16 PLATED	Y00K2031	15	53	1B16
26013-080202	7"LC" H"K"K"K" 8X 20 BOLT M 8X 20	Y00K2031	101	6	1104	26116-060202	7"LC" H"K"K"K" 6X 20 BOLT M 6X 20 PLATED	Y00K2031	81	39	1G05
26013-080352	7"LC" H"K"K"K" 8X 35 BOLT M 8X 35	Y00K2031	106	19	1109	26116-060252	7"LC" H"K"K"K" 6X 25 BOLT M 6X 25 PLATED	Y00K2031	82	54	1G06
26014-060162	7"LC" H"K"K"K" 6X 16 BOLT M 6X 16	Y00K2031	117	7	1J04	26116-080122	7"LC" H"K"K"K" 8X 12 BOLT M 8X 12 PLATED	Y00K2031	46	64	1D15
26014-080252	7"LC" H"K"K"K" 8X 25 BOLT M 8X 25	Y00K2031	127	8	1J14			Y00K2031	21	17	1C06
26106-060142	7"LC" H"K"K"K" 6X 14 BOLT M 6X 14 PLATED	Y00K2031	99	30	1102			Y00K2031	15	52	1B16
26106-060222	7"LC" H"K"K"K" 6X 22 BOLT M 6X 22 PLATED	Y00K2031	125	13	1J12			Y00K2031	82	53	1G06
26106-060322	7"LC" H"K"K"K" 6X 32 BOLT M 6X 32 PLATED	Y00K2031	116	11	1J03	26116-080142	7"LC" H"K"K"K" 8X 14 BOLT M 8X 14 PLATED	Y00K2031	9	28	1B10
26106-060402	7"LC" H"K"K"K" 6X 40 BOLT M 6X 40 PLATED	Y00K2031	100	14	1103			Y00K2031	19	20	1C04
26106-080122	7"LC" H"K"K"K" 8X 12 BOLT M 8X 12 PLATED	Y00K2031	105	23	1108			Y00K2031	26	10	1C11
								Y00K2031	38	16	1007
								Y00K2031	84	11	1G08
								Y00K2031	86	5	1G10
								Y00K2031	17	36	1G02
								Y00K2031	21	16	1C06
								Y00K2031	25	15	1C10
								Y00K2031	82	40	1G06

(NF NO. Y00K2031)

↑-----↑
| 2L15 |
↑-----↑

*** 7"ע"ח"כ"ט"ו"כ"ו 7"ז"כ"ע"כ" PARTS INDEX ***

86.10.17

P. 47

7"ע"ח"כ"ט"ו" PART NO.	7"ע"ח"כ"ט"ו" DESCRIPTION	PC NO.	7"ז"כ"ע"כ" GRP.	7"ז"כ"ע"כ" REF.	7"ז"כ"ע"כ" LOC. NO.	7"ע"ח"כ"ט"ו" PART NO.	7"ע"ח"כ"ט"ו" DESCRIPTION	PC NO.	7"ז"כ"ע"כ" GRP.	7"ז"כ"ע"כ" REF.	7"ז"כ"ע"כ" LOC. NO.
26116-080142	BOLT M 8X 14 PLATED	Y00K2031	83	46	1607	26116-100252	BOLT M10X 25 PLATED	Y00K2031	40	33	1009
26116-080162	BOLT M 8X 16	Y00K2031	13	25	1B14				43	32	1012
	BOLT M 8X 16 PLATED								78	27	1G02
			15	37	1B16	26116-100352	BOLT M 10X 35	Y00K2031	21	31	1C06
			17	34	1C02		BOLT M10X 35 PLATED				
			49	48	1E04	26116-100402	BOLT M 10X 40	Y00K2031	38	21	1007
			81	26	1G05		BOLT M10X 40 PLATED				
			82	38	1G06	26116-120252	BOLT M 12X 25	Y00K2031	23	10	1C08
			83	44	1G07		BOLT M12X 25 PLATED				
			86	6	1G10	26116-120302	BOLT M 12X 30	Y00K2031	45	11	1014
			95	14	1H03		BOLT M12X 30 PLATED				
				26	1H03	26206-100252	BOLT M 10X 25	Y00K2031	99	32	1102
26116-080202	BOLT M 8X 20	Y00K2031	15	38	1B16		BOLT M10X 25 PLATED				
	BOLT M 8X 20 PLATED					26216-080222	STUD M 8X 22	Y00K2031	99	33	1102
			17	35	1C02		STUD M 8X 22 PLATED				
			19	21	1C04				107	3	1110
			23	19	1C08	26216-080652	STUD M 8X 65	Y00K2031	105	17	1108
			39	30	1D08		STUD M 8X 65 PLATED				
			40	31	1D09	26216-080702	STUD M 8X 70	Y00K2031	105	18	1108
			43	30	1D12		STUD M 8X 70 PLATED				
			82	39	1G06	26216-120252	STUD M 12X 25	Y00K2031	99	34	1102
			83	45	1G07		STUD M12X 25 PLATED				
26116-080252	BOLT M 8X 25	Y00K2031	19	26	1C04	26366-080002	U-NUT M 8	Y00K2031	105	19	1108
	BOLT M 8X 25 PLATED						6X20				
26116-080352	BOLT M 8X 35	Y00K2031	1	21	1B02	26450-060202	BOLT M 6X 20	Y00K2031	75	10	1F15
	BOLT M 8X 35 PLATED						BOLT M 8X 20				
26116-080402	BOLT M 8X 40	Y00K2031	21	30	1C06	26450-080202	BOLT M 8X 20	Y00K2031	60	14	1E15
	BOLT M 8X 40 PLATED						BOLT M 8X 20				
			26	9	1C11	26450-100602	BOLT M 10X 60	Y00K2031	75	7	1F15
26116-080702	BOLT M 8X 70	Y00K2031	38	23	1D07		BOLT M 10X 60				
	BOLT M 8X 70 PLATED					26557-040082	SCREW M 4X 8	Y00K2031	130	14	1K01
26116-100162	BOLT M 10X 16	Y00K2031	26	8	1C11		SCREW M 4X 8				
	BOLT M10X 16 PLATED					26557-040252	SCREW M 4X 25	Y00K2031	130	15	1K01
			49	47	1E04		SCREW M 4X 25				
26116-100202	BOLT M 10X 20	Y00K2031	1	7	1B02	26587-050102	SCREW M 5X 10	Y00K2031	120	34	1J07
	BOLT M10X 20 PLATED						SCREW M 5X 10				
			9	18	1B10		SCREW M 8X 10	Y00K2031	100	22	1103
			10	18	1B11						
			13	26	1B14				102	7	1105
			15	40	1B16	26687-120002	CAP NUT M12	Y00K2031	126	19	1J13
			23	13	1C08		CAP NUT M12				
				27	1C08	26696-100002	NUT M10	Y00K2031	105	16	1108
			26	36	1C11		NUT M10				
			38	22	1D07	26706-100002	NUT M10	Y00K2031	100	23	1103
			39	31	1D08		NUT M10				
			40	32	1D09				130	20	1K01
			43	31	1D12	26716-080002	NUT M 8	Y00K2031	99	35	1102
			81	27	1G05		NUT M 8				
			82	41	1G06				100	8	1103
26116-100252	BOLT M 10X 25	Y00K2031	1	8	1B02				107	5	1110
	BOLT M10X 25 PLATED					26716-120002	NUT M12	Y00K2031	99	36	1102
			36	9	1D05		NUT M12				
			39	32	1D08	26756-080002	NUT M 8	Y00K2031	105	30	1108

7"EH" H"K"K"K" PART NO.	7"EH" M" DESCRIPTION	PC NO.	K"K"K" M"K"K" GRP. REF.	K"K"K" K"K"K" LOC. NO.	7"EH" H"K"K"K" PART NO.	7"EH" M" DESCRIPTION	PC NO.	K"K"K" M"K"K" GRP. REF.	K"K"K" K"K"K" LOC. NO.		
26756-080002	LOCK NUT M 8 PLATED	Y00K2031	105	36	1108	721551-01540	BEARING PIN	Y00K2031	99	15	1102
26776-120002	LOCK NUT M 12 PLATED	Y00K2031	126	20	1J13	721551-01561	SUMP ASSY, LUB OIL	Y00K2031	99	1	1102
26776-180002	LOCK NUT M12 PLATED	Y00K2031	109	14	1E12	724060-53101	BLOCK ASSY, CYLINDER	Y00K2031	121	1	1J08
26921-080102	LOCK NUT M18 PLATED	Y00K2031	105	56	1108	724550-51520	VALVE ASSY, F. INJECT	Y00K2031	120	9	1J07
27241-300000	SCREW M 8X10	Y00K2031	99	13	1102	729335-01612	GUIDE ASSY, PLUNGER	Y00K2031	100	1	1103
28110-100120	PLUG 30	Y00K2031	59	1	1E14	771056-11700	HOUSING ASSY, GEARS	Y00K2031	105	1	1108
28110-140170	WRENCH 10X12	Y00K2031	132	3	1K03	933110-00100	HEAD ASSY, CYLINDER	Y00K2031	25	5	1C10
28110-190220	WRENCH 14X17	Y00K2031	59	2	1E14	933110-00301	SWITCH ASSY, STARTER	Y00K2031	25	6	1C10
28210-000140	WRENCH 19X22	Y00K2031	132	4	1K03		KEY		131	4	1K02
43400-500450	OIL FEEDER	Y00K2031	59	5	1E14				131	5	1K02
705311-22500	PACKING	Y00K2031	126	6	1K03						
711100-51540	RING SET	Y00K2031	110	3	1I13						
721450-11650	ARM ASSY, ROCKER	Y00K2031	120	10	1J07						
721450-11660	ARM ASSY, ROCKER	Y00K2031	105	25	1108						
721500-21700	CRANKSHAFT ASSY	Y00K2031	105	31	1108						
721522-51700	FUEL INJECTION PUMP	Y00K2031	109	1	1I12						
721527-13500	MANIFOLD ASSY, EXH.	Y00K2031	120	1	1J07						
721550-02500	HOUSING ASSY	Y00K2031	120	1	1J07						
721550-02611	HOUSING ASSY	Y00K2031	101	8	1104						
721550-02621	HOUSING ASSY	Y00K2031	101	14	1104						
721550-02800	MAIN BEARING	Y00K2031	101	11	1104						
721550-02810	MAIN BEARING	Y00K2031	101	17	1104						
721550-14580	CAMSHAFT ASSY	Y00K2031	108	1	1I11						
721550-23100	ROD ASSY, CONNECTING	Y00K2031	111	1	1I14						
721550-23600	ROD ASSY, CONNECTING	Y00K2031	111	5	1I14						

TOTAL (ITEM= 1,730) (REF.= 3,382)

PC NO.	DESCRIPTION	GRP.	REF.	LOC. NO.	PC NO.	DESCRIPTION	GRP.	REF.	LOC. NO.
E0001335206	PIN, BUCKET CYL. ROD	97	16-	1 1H05	E1121040608	LOCK SCREW M 6X 8	Y00K2031	17	37- 1 1C02
E0007200054	ELBOW, LONG	30	8	1C15	E1210000320	LOCK SCREW M 6X 8	Y00K2031	19	27- 1 1C04
E0094026500	FOOT, ENGINE	23	1-	1C08	E1513500010	COTTER PIN 3X20	Y00K2031	61	54 1E16
E0094290070	WIRE HARNESS ASSY	26	1-	2 1C11	E1560001000	NIPPLE, GREASE	Y00K2031	97	26- 1 1H05
E0094290080	WIRE HARNESS ASSY	26	1-	3 1C11	E1654604690	SEAL, RUBBER	Y00K2031	46	62- 1 1D15
E0096132400	ARM, LINK	48	30-	1 1E03	E1655200003	CLAMP	Y00K2031	26	39 1C11
E0096190001	ARM ASSY, LINK	49	30-	1 1E04	E1900026600	CYL. ASSY, MAIN BOOM	Y00K2031	49	41- 1 1E04
E0096236000	BUCKET ASSY, EJECTOR	48	29-	1 1E03	E1900029300	CYLINDER, MAIN BOOM	Y00K2031	48	41- 1 1E03
E0096236100	BUCKET	49	29-	1 1E04	E1900029304	RETAINER	Y00K2031	64	1- 1 1F04
E0096236200	ARM, LINK	97	1-	1 1H05	E1900029316	BEARING	Y00K2031	64	16- 1 1F04
E0096290012	ARM ASSY, LINK	97	2-	1 1H05	E1901501100	VALVE, COUNTER BALAN.	Y00K2031	64	17- 1 1F04
E0098274800	COVER, ENGINE	97	10-	1 1H05	E1913002800	BEARING, TURNING	Y00K2031	4	3- 1 1B05
E0098274900	COVER, LEVER	39	1-	1 1D08	22217-080000	SPRING WASHER 8	Y00K2031	1	12- 1 1B02
E0103216200	COVER, BOOM CYLINDER	40	6-	1 1D09				17	44- 1 1C02
E0103219200	COVER, ROD	43	1-	1 1D12				39	14- 1 1D08
E0106014100	COVER, TOOL BOX	39	14-	1 1D09				40	15- 1 1D09
E0106014400	COVER, CONTROL	43	14-	1 1D12				43	14- 1 1D12
E0108213900	COVER, STAND	17	46	1C02				17	46 1C02
E0108217500	COVER, STAND	19	3-	1 1C04				19	3- 1 1C04
E0108217600	COVER, STAND	49	44-	1 1E04				49	44- 1 1E04
E0108217700	COVER, STAND	49	45-	1 1E04				49	45- 1 1E04
E1100040625	BOLT	39	7-	1 1D08				39	7- 1 1D08
		40	11-	1 1D09				40	11- 1 1D09
		43	7-	1 1D12				43	7- 1 1D12
		39	9-	1 1D08				39	9- 1 1D08
		40	12-	1 1D09				40	12- 1 1D09
		43	9-	1 1D12				43	9- 1 1D12
		39	8-	1 1D08				39	8- 1 1D08
		43	8-	1 1D12				43	8- 1 1D12
		40	3-	1 1D09				40	3- 1 1D09
		17	47	1C02				17	47 1C02