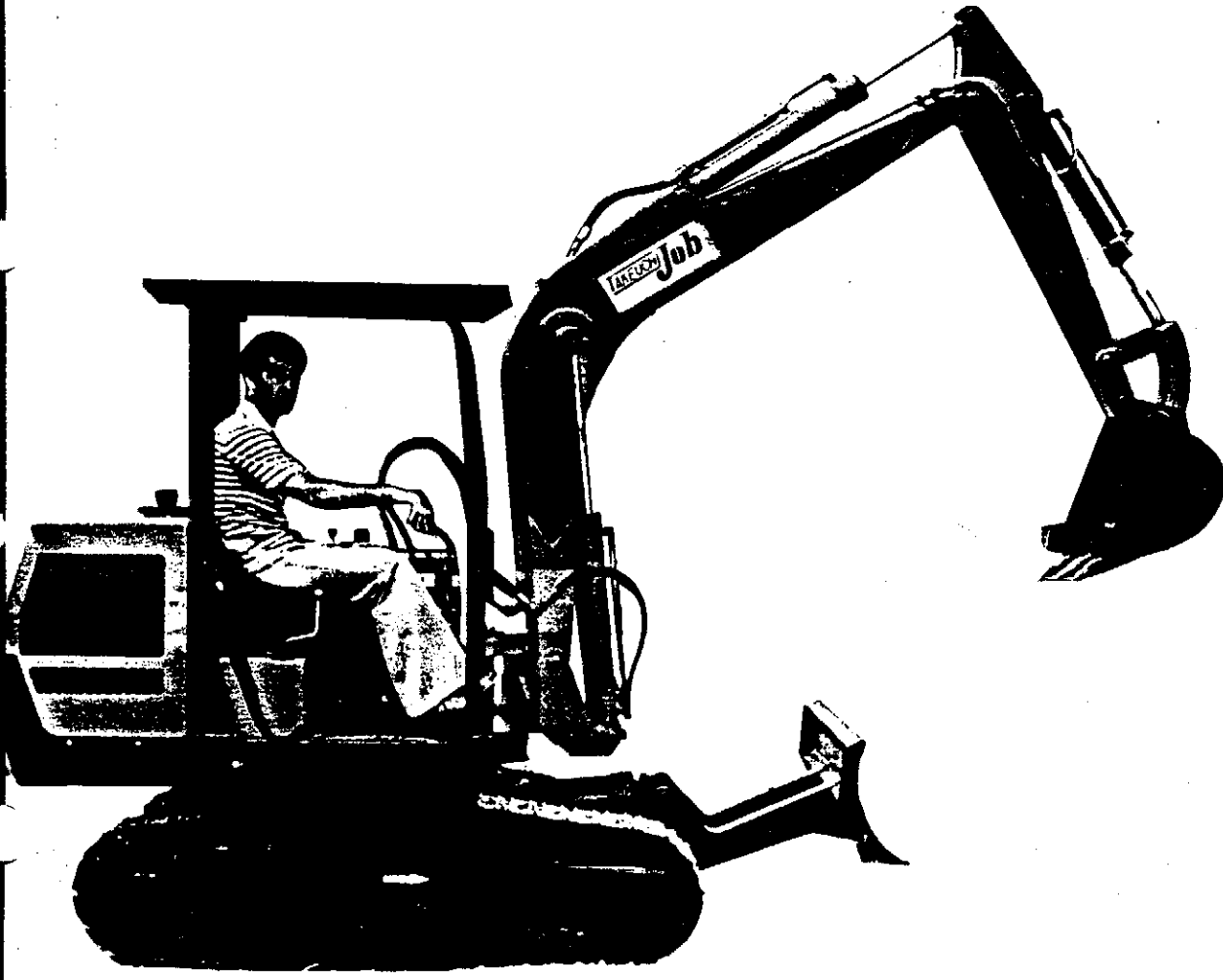


Takeuchi Job TB1200 AL

Compact Excavator with Dozer Blade

PARTS CATALOG New



Takeuchi Mfg. (U.S.), Ltd.
East Atlanta Industrial Park
1000 E Bankers Circle
Atlanta, GA. 30360
(404) 447-6670

Fig.No.	DESCRIPTION	IL	LI	REMARKS
Lower Machine				
01	①Lower Frame	○	×	
02	Track Shoe	○	○	
03	Carrier Roller	○	○	
04	Track Roller	○	○	
05	Front Idler	○	○	
06	Track Tension	○	○	
07	①Track Gearbox	○	△	#150 ~
08	Blade	○	○	
09	Piping, Lower	○	○	
Upper Machine, 1				
10	Slew Gearbox	○	○	
11	①Turntable	○	×	#253 ~
12-1	①Control Lever, Traction	△	×	For France & U.S.A.
12-2	①Control Lever, Traction	△	×	For China
13-1	①Control Lever, Operation	△	△	For France & U.S.A.
13-2	①Control Lever, Operation	△	△	For China
14-1	①Control Lever, Blade	○	○	For France#253 ~#376, For U.S.A. #382 ~
14-2	①Control Lever, Blade	○	○	For France#377 ~
Upper Machine, 2				
15	①Engine & Accessories	○	×	
16	①Control Box	○	△	
17	①Engine Control	○	△	
18	①Electricals	△	△	
Upper Machine, 3				
19	Grease Piping	○	○	
20	Valve Mounting	○	○	
21	Piping, Upper 1	○	○	
22	Piping, Upper 2	○	○	

IL=Illustration LI=List

○=Appropriated to

△=Somewhat retouched

×=Newly drawn up

Rev.①

Fig.No.	DESCRIPTION	IL	LI	REMARKS
23	Pump Drive, Main	○	○	
24	Pump Drive, Blade	○	○	
25	①Hydraulic Tank	○	△	
26-1	①Fuel Tank	○	△	#27~#366
26-2	①Fuel Tank	○	△	#367 ~
Upper Machine, 4				
27	Covers	○	○	
28	Seat	○	○	
29	Canopy	○	○	
Hoe Attachment				
30	Hoe	○	○	
31	Bucket	○	○	
32-1	①Piping, Hoe 1	○	×	#184 ~#252 For France
32-2	①Piping, Hoe 1	△	×	#253 ~ For France
33-1	①Piping, Hoe 2	△	○	
33-2	①Piping, Hoe 2	△	△	
33-3	①Piping, Hoe 2	△	△	
33-4	①Piping, Hoe 2	△	△	

34-1	①Stickers	△	△	For France
34-2	①Stickers	△	△	For U.S.A.
34-3	Stickers	○	○	For China
35	Tools	○	○	
Hydraulic Devices				
36	①Swivel Joint	×	×	#392 ~
37	Control Valve, Main	○	△	
38-1	Control Valve, Sub	○	○	For China
38-2	①Control Valve, Sub	△	△	For France & U.S.A.
39	①Brake & D.S. Valve	△	△	#408 ~

IL=Illustration LI=List

○=Appropriated to

△=Somewhat retouched

×=Newly drawn up

Rev.①

Fig.No.	DESCRIPTION	IL	LI	REMARKS
40-1	①Boom Cylinder	○	×	
40-2	①Boom Cylinder	○	△	
41-1	①Arm Cylinder	○	△	
41-2	Arm Cylinder	○	○	
42	Bucket Cylinder	○	○	
43	Blade Cylinder	○	○	
44	Swing Cylinder	○	○	
45	Traction Motor	○	○	
46	Hydraulic Pump, Main	○	○	
47	Hydraulic Pump, Sub	○	○	
O p t i o n				
48	Triangular Shoe	○	○	
49	Bucket	○	○	260W.30W.350W.400W.500W.600W.
50	Ejector Bucket	○	○	29W.370W.460W.
51	①Cabin	△	△	
52	Heater	○	○	

IL=Illustration

LI=List

○=Appropriated to

△=Somewhat retouched

×=Newly drawn up

Rev.①

INDEX

LOWER MACHINE

- FIG. 01 LOWER FRAME
- FIG. 02 TRACK SHOE
- FIG. 03 CARRIER ROLLER
- FIG. 04 TRACK ROLLER
- FIG. 05 FRONT IDLER
- FIG. 06 TRACK TENSION
- FIG. 07 TRACK GEARBOX
- FIG. 08 BLADE
- FIG. 09 PIPING, LOWER

UPPER MACHINE, 1

- FIG. 10 SLEW GEARBOX
- FIG. 11 TURNTABLE
- FIG. 12 CONTROL LEVER, TRACTION
- FIG. 13 CONTROL LEVER, OPERATION
- FIG. 14 CONTROL LEVER, BLADE

UPPER MACHINE, 2

- FIG. 15 ENGINE & ACCESSORIES
- FIG. 16 CONTROL BOX
- FIG. 17 ENGINE CONTROL
- FIG. 18 ELECTRICALS

INDEX

LOWER MACHINE

- FIG. 01 LOWER FRAME
- FIG. 02 TRACK SHOE
- FIG. 03 CARRIER ROLLER
- FIG. 04 TRACK ROLLER
- FIG. 05 FRONT IDLER
- FIG. 06 TRACK TENSION
- FIG. 07 TRACK GEARBOX
- FIG. 08 BLADE
- FIG. 09 PIPING, LOWER

UPPER MACHINE, 1

- FIG. 10 SLEW GEARBOX
- FIG. 11 TURNTABLE
- FIG. 12 CONTROL LEVER, TRACTION
- FIG. 13 CONTROL LEVER, OPERATION
- FIG. 14 CONTROL LEVER, BLADE

UPPER MACHINE, 2

- FIG. 15 ENGINE & ACCESSORIES
- FIG. 16 CONTROL BOX
- FIG. 17 ENGINE CONTROL
- FIG. 18 ELECTRICALS

INDEX

UPPER MACHINE, 3

FIG. 19	GREASE PIPING
FIG. 20	VALVE MOUNTING
FIG. 21	PIPING, UPPER 1
FIG. 22	PIPING, UPPER 2
FIG. 23	PUMP DRIVE, MAIN
FIG. 24	PUMP DRIVE, BLADE
FIG. 25	HYDRAULIC TANK
FIG. 26	FUEL TANK

UPPER MACHINE, 4

FIG. 27	COVERS
FIG. 28	SEAT
FIG. 29	CANOPY

HOE ATTACHMENT

FIG. 30	HOE
FIG. 31	BUCKET
FIG. 32	PIPING, HOE 1
FIG. 33	PIPING, HOE 2

INDEX

- FIG. 34 STICKERS
- FIG. 35 TOOLS

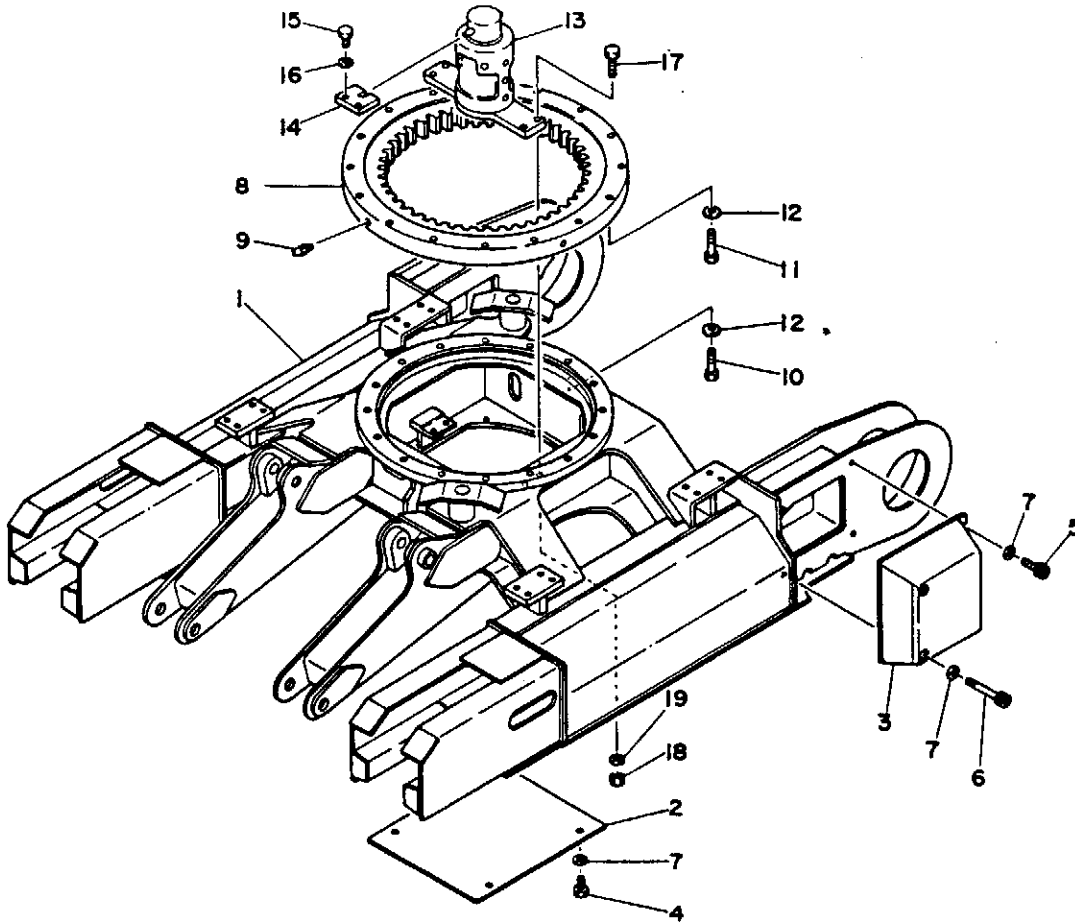
HYDRAULIC DEVICES

- FIG. 36 SWIVEL JOINT
- FIG. 37 CONTROL VALVE, MAIN
- FIG. 38 CONTROL VALVE, SUB
- FIG. 39 BRAKE & D. S. VALVE
- FIG. 40 BOOM CYLINDER
- FIG. 41 ARM CYLINDER
- FIG. 42 BUCKET CYLINDER
- FIG. 43 BLADE CYLINDER
- FIG. 44 SWING CYLINDER
- FIG. 45 TRACTION MOTOR
- FIG. 46 HYDRAULIC PUMP, MAIN
- FIG. 47 HYDRAULIC PUMP, SUB

OPTION

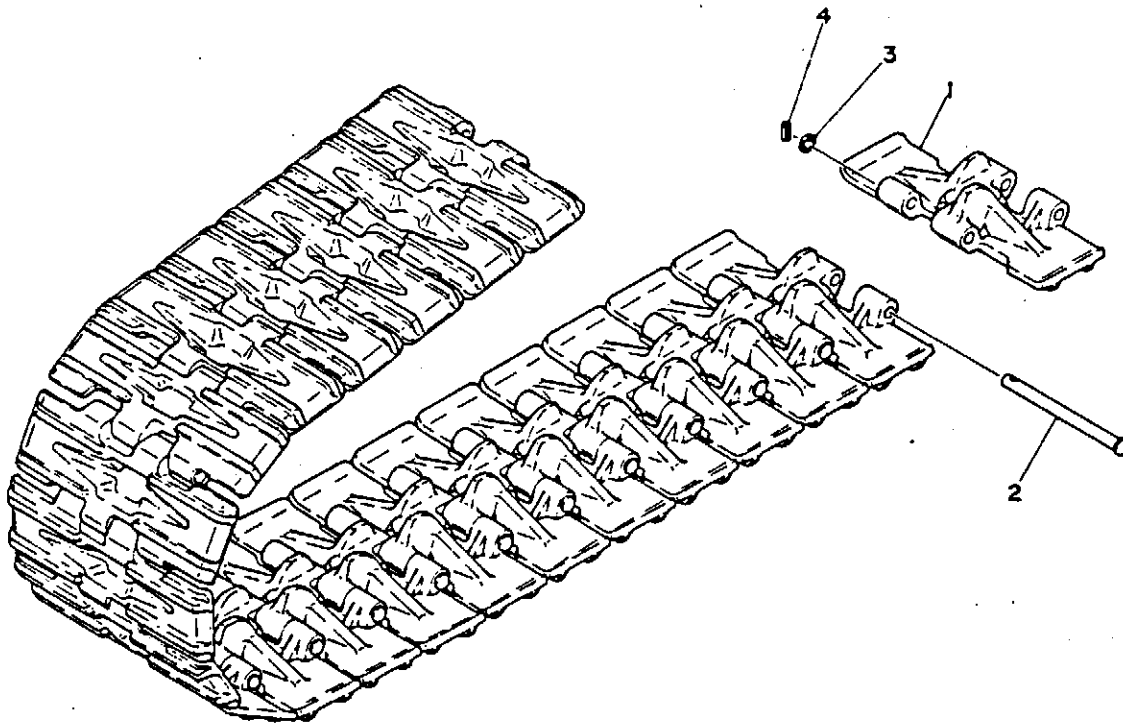
- FIG. 48 TRIANGULAR SHOE
- FIG. 49 BUCKET
- FIG. 50 EJECTOR BUCKET
- FIG. 51 CABIN
- FIG. 52 HEATER

FIG. 01 LOWER FRAME



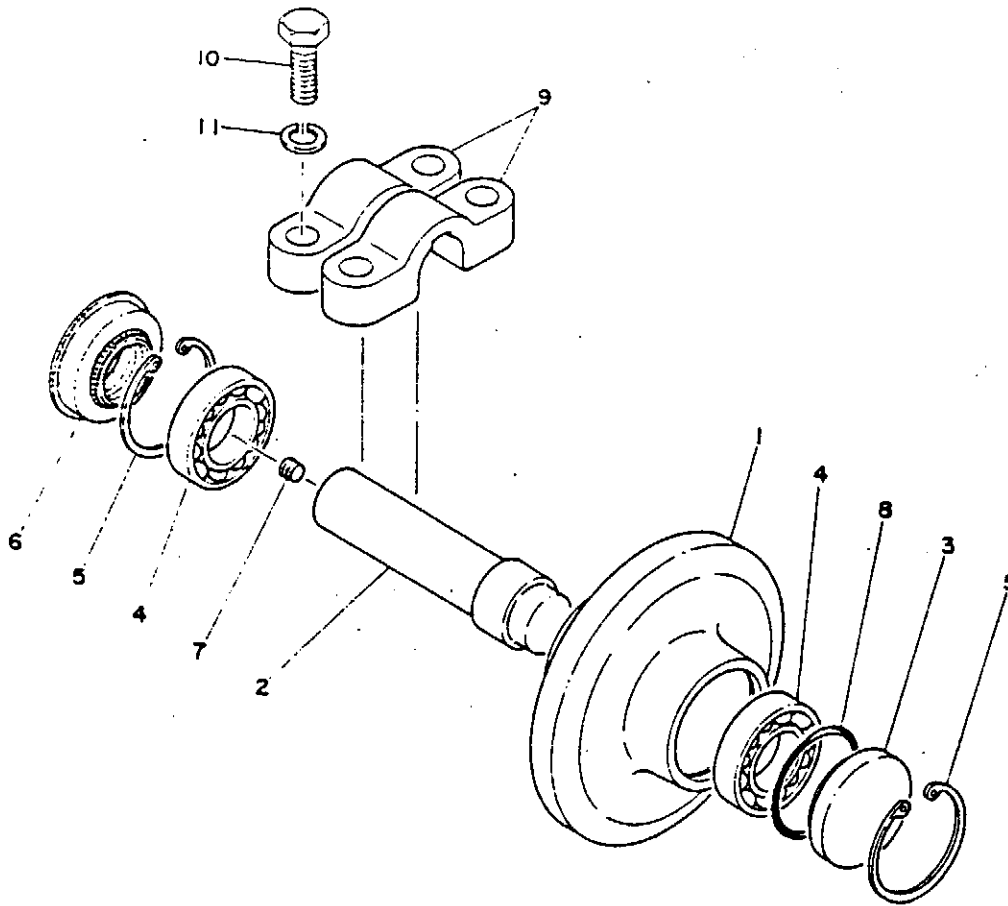
Item	PARTS NUMBER	DESCRIPTION	Qty	REMARKS
1	01510-10100	FRAME	1	
2	01310-01100	COVER	1	
3	01410-51100	COVER	2	
4	11000-51020	BOLT	4	
5	11000-51015	BOLT	4	
6	11101-51000	BOLT, Socket	4	
7	11400-10010	WASHER, Spring	12	
8	19130-00500	BEARING, Slew	1	
9	15600-11006	*NIPPLE, Crease	4	
10	11000-51260	BOLT	16	
11	11010-51260	BOLT	16	
12	11415-40012	WASHER	32	
13	19040-00100	JOINT, Swivel	1	#27-#391
	19040-01800	JOINT, Swivel	1	#392 ~
14	01321-00100	STOPPER	1	#27-#391
	01321-04100	STOPPER	1	#392 ~
15	11010-51430	BOLT	2	
16	11415-40014	WASHER	2	
17	11010-51240	BOLT	4	
18	11305-50012	NUT	4	
19	11400-10012	WASHER, Spring	4	

FIG. 02 TRACK SHOE



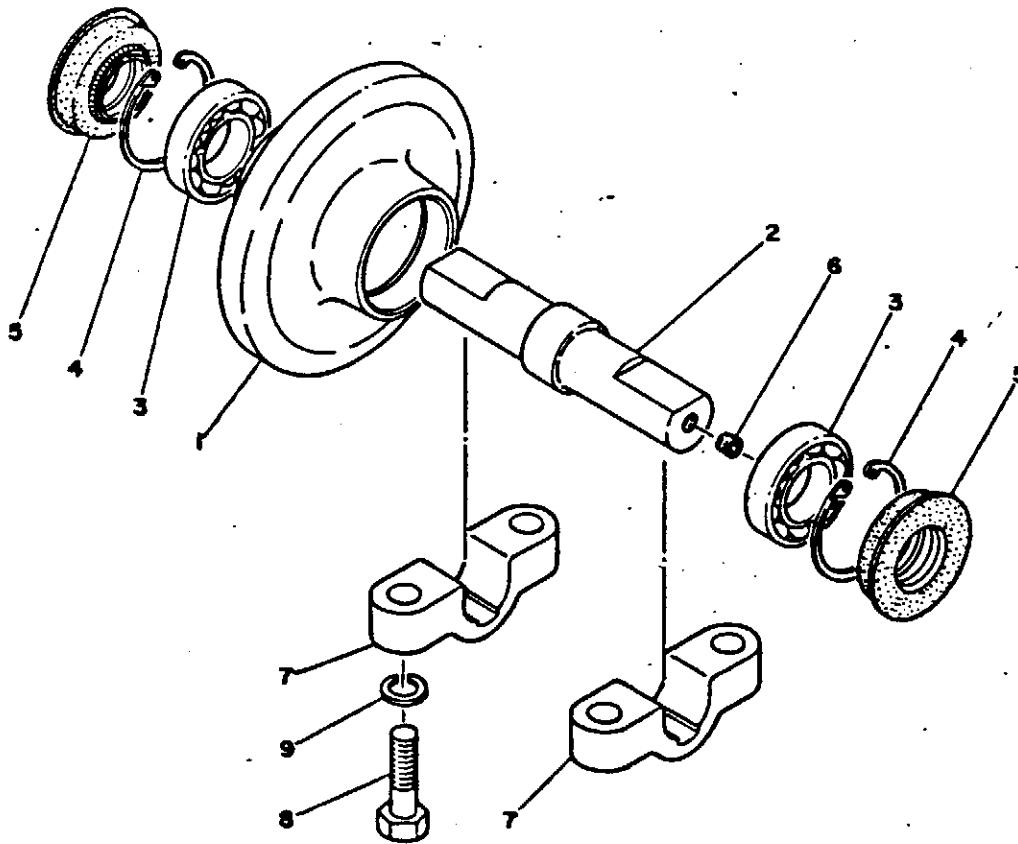
QTY	PARTS NUMBER	DESCRIPTION	REV	REMARKS
01	19140-01400	SHOE ASSY. Track	2	
1	19140-01101	*SHOE	2	
2	19140-00102	*PIN. Track ✓	2	
3	19140-00103	*WASHER	2	
4	12130-00620	*PIN. Spring	2	

FIG. 03 CARRIER ROLLER



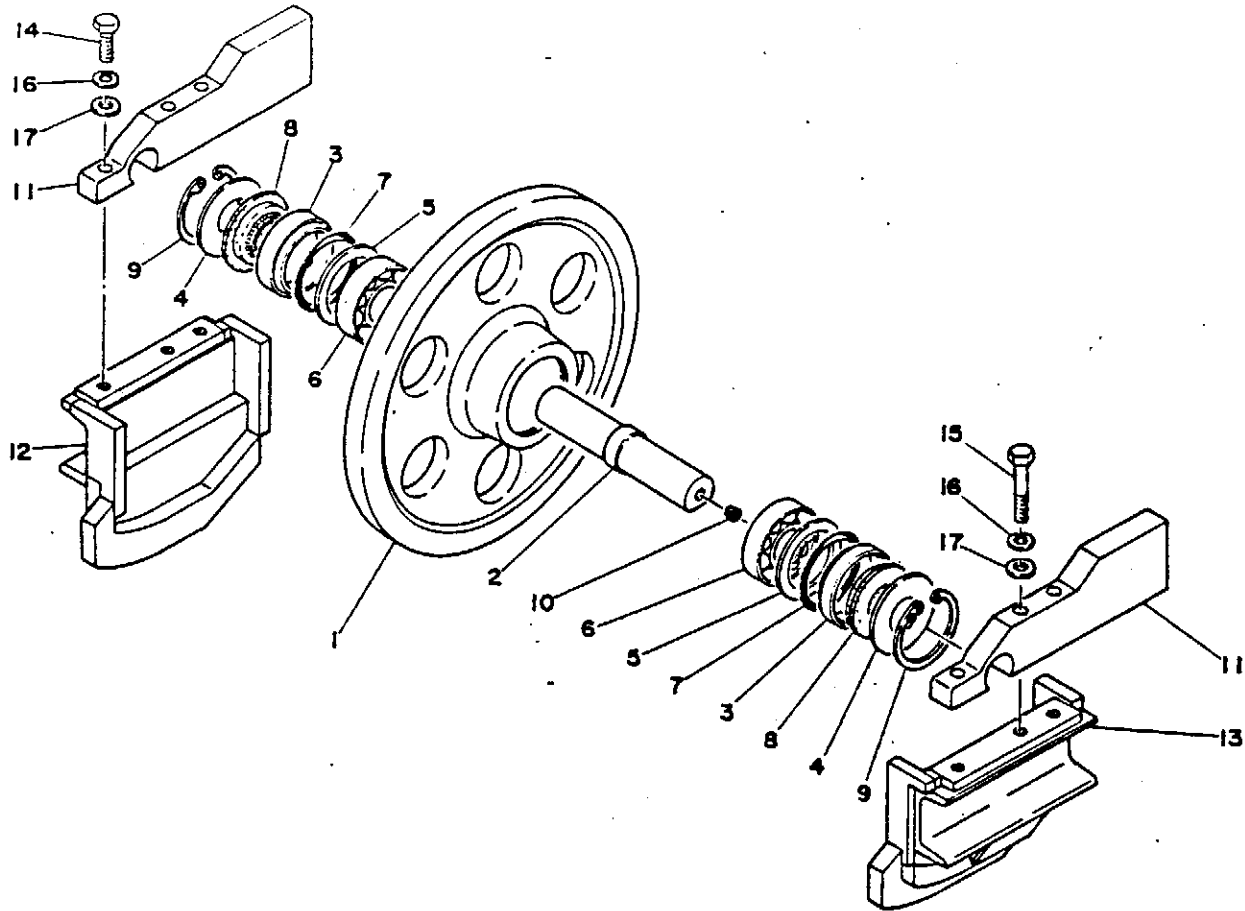
Qty	PARTS NUMBER	DESCRIPTION	Qty	REMARKS
01	01612-90000	ROLLER ASSY. Carrier	4	
1	01612-09100	*ROLLER	1	
2	01612-99290	*SHAFT	1	
3	01612-99300	*COVER	1	
4	13000-06306	*BEARING	2	
5	12210-00055	*RING, Snap	2	
6	14310-03055	*SEAL, Oil	1	
7	15018-20001	*PLUG	1	
8	14030-10490	*O-RING	1	
9	01613-08300	BRACKET	4	
10	11010-51235	BOLT	8	
11	11400-10012	WASHER, Spring	8	

FIG. 04 TRACK ROLLER



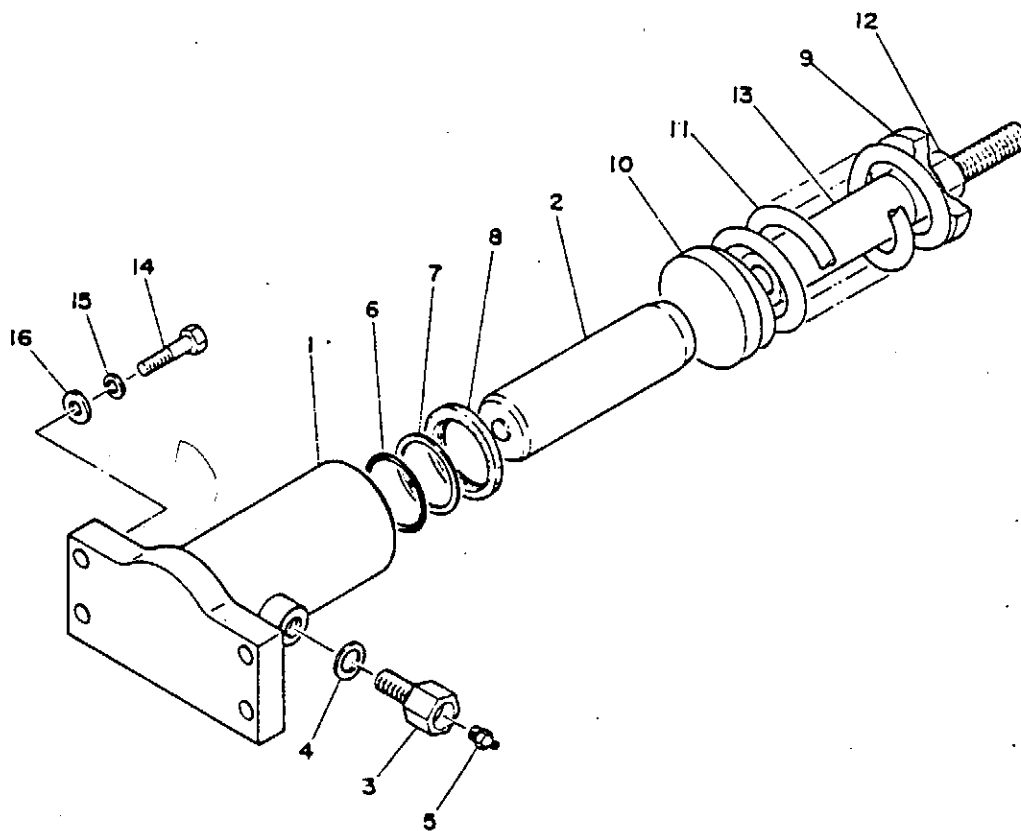
QTY	PARTS NUMBER	DESCRIPTION	QTY	REMARKS
01	01613-98900	ROLLER ASSY. Track	1	#27-
1	01613-00100	*ROLLER	1	
2	01613-00200	*SHAFT	1	
3	13000-00000	*BEARING	2	
4	12210-00055	*RING Snap	2	
5	14310-03055	*SEAL Oil	2	
6	15010-20001	*PLUG	1	
7	01613-00300	BRACKET	2	
8	11010-51235	BOLT	4	
9	11400-10012	WASHER Spring	4	

FIG. 05 FRONT IDLER



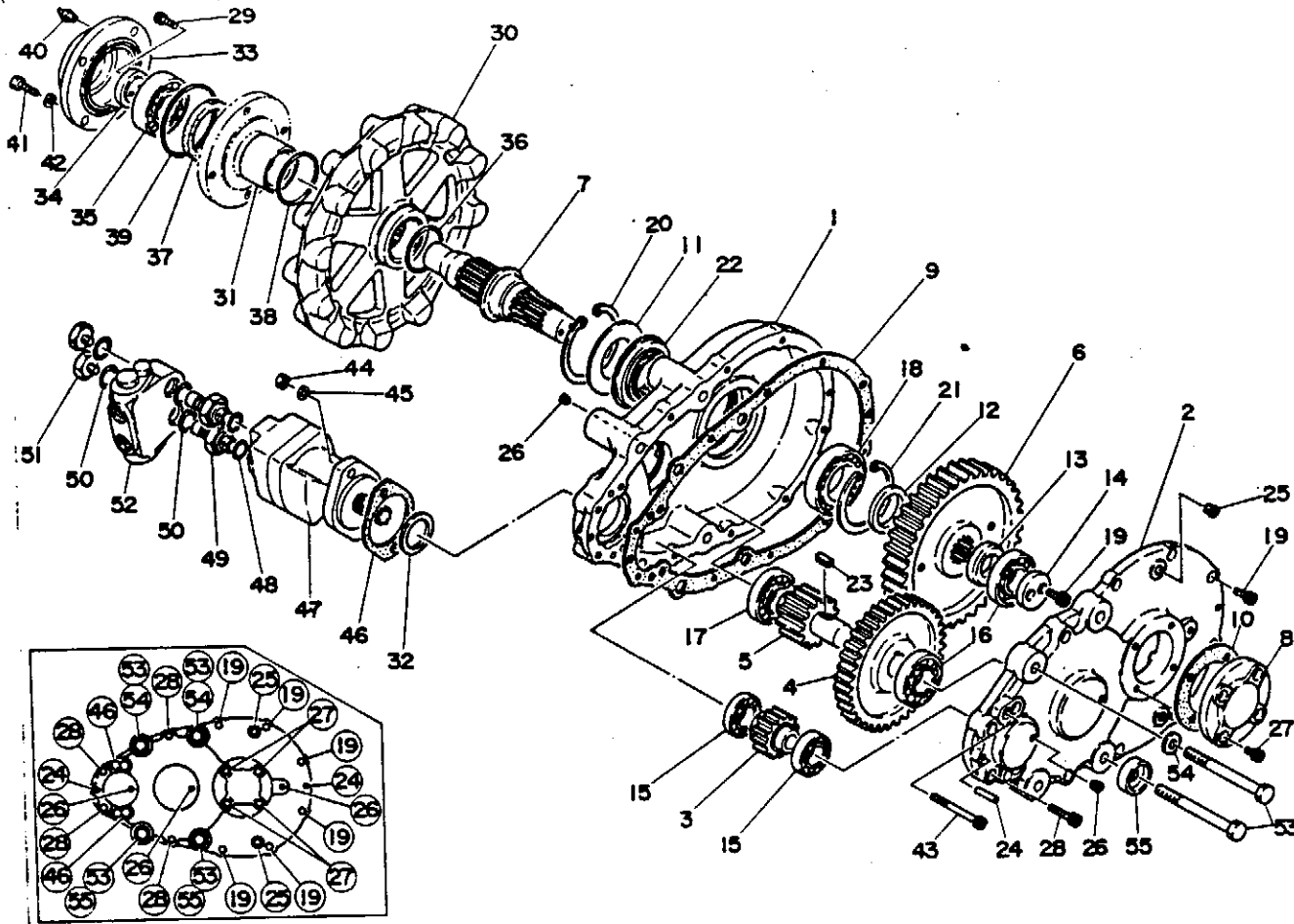
Item	PARTS NUMBER	DESCRIPTION	Qty	REMARKS
01	01314-90000	IDLER ASSY. Front	2	
1	01614-05100	*IDLER	1	
2	01614-05200	*SHAFT	1	
3	01614-15600	*COLLAR	2	
4	00036-36002	*WASHER	2	
5	01614-16300	*WASHER	2	
6	13000-06307	*BEARING	2	
7	14200-10700	*O-RING	2	
8	14310-03562	*SEAL Oil	2	
9	12210-00080	*RING, Soap	2	
10	15018-20001	*PLUG	1	
11	01614-05300	BRACKET	4	
12	01314-10400	SLIDE (RH)	2	
13	01314-10500	SLIDE (LH)	2	
14	11010-51235	BOLT	4	
15	11010-51265	BOLT	8	
16	11400-10012	WASHER, Spring	12	
17	11415-40012	WASHER	12	

FIG. 06 TRACK TENSION



Item	PARTS NUMBER	DESCRIPTION	Qty	REMARKS
1	01715-10100	CYLINDER (RH). Grease	1	
1-1	01715-10200	CYLINDER (LH). Grease	1	
2	02215-20300	PISTON	2	
3	15413-01601	VALVE ASSY. Check	2	
4	15412-01616	PACKING	2	
5	15500-01000	NIPPLE. Grease	2	
6	14200-10500	O-RING	2	
7	14210-20500	RING. Back-up	2	
8	14004-02835	SEAL. Oil	2	
0-1	01715-90000	CUSHION ASSY	2	
9	01715-00500	*SEAT. Spring	1	
10	01715-10600	*ROD ASSY	1	
11	00070-00004	*SPRING	1	
12	11300-20020	*NUT	1	
13	01715-11700	*PIPE	1	
14	11000-51045	BOLT	8	
15	11400-10010	WASHER. Spring	8	
16	11415-40010	WASHER	8	

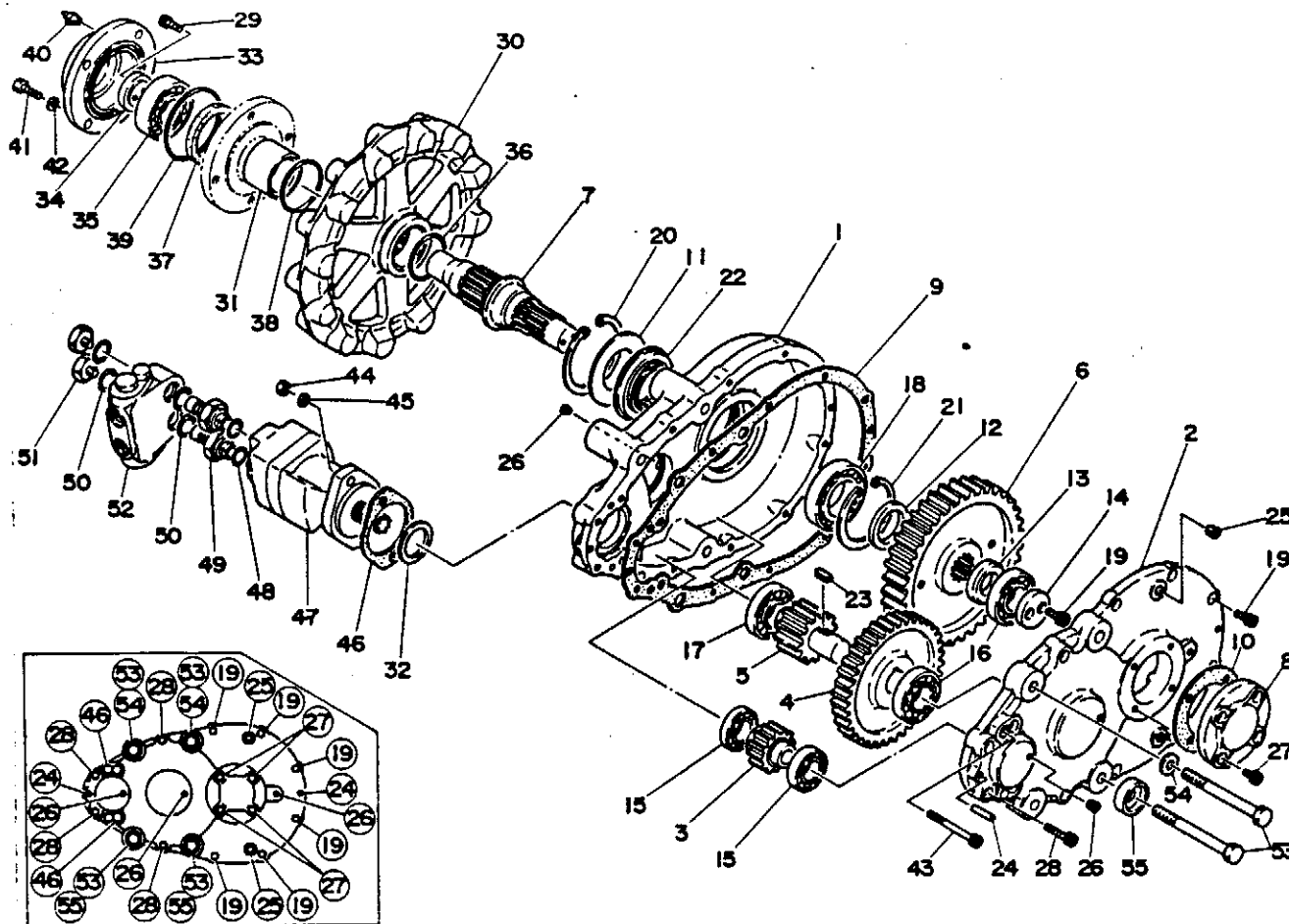
FIG. 07 TRACK GEARBOX



Q'ty	PARTS NUMBER	DESCRIPTION	Q'ty	REMARKS
0-1	00916-90100	GEAR BOX ASSY	2	
1	00916-20100	*CASE	1	
2	00916-10200	*COVER	1	
3	01316-00300	*GEAR	1	
4	01716-10400	*GEAR	1	
5	01316-00500	*GEAR	1	
6	01316-00600	*GEAR	1	
7	00916-20700	*SHAFT	1	
8	00916-00900	*COVER	1	
9	00916-11100	*GASKET	1	
10	00916-01200	*GASKET	1	
11	00030-00010	*WASHER	1	
12	00030-51570	*COLLAR	1	
13	00039-00008	*COLLAR	1	
14	00916-22000	*PLATE	1	
15	13000-06007	*BEARING	2	
16	13000-06208	*BEARING	2	
17	13000-99208	*BEARING	1	
18	13000-99211	*BEARING	1	
19	11100-51020	*BOLT, Socket	6	
20	12210-00110	*RING, Snap	1	
21	12210-00100	*RING, Snap	1	
22	14312-06510	*SEAL, Oil	1	
23	12010-51025	*KEY	1	
24	12010-01036	*PIN, Dowel	2	
25	15018-20003	*PLUG	2	
26	15018-20001	*PLUG	4	
27	11100-51016	*BOLT, Socket	4	
28	11100-51045	*BOLT, Socket	4	
29	11100-51020	BOLT, Socket	2	
30	00916-22800	SPROCKET	1	
31	00916-21400	COLLAR	1	
32	00030-00017	WASHER	1	
33	01716-02400	COVER	1	
34	00916-22000	PLATE	1	
35	13000-01308	BEARING	1	
36	14201-00600	O-RING	1	
37	14016-07088	SEAL, Oil	1	
38	14201-00700	O-RING	1	
39	14201-01000	O-RING	1	
40	15600-01000	NIPPLE, Grease	1	
41	11010-51230	BOLT	4	
42	11400-10012	WASHER, Spring	4	
43	11110-51290	BOLT, Socket	2	
44	11305-50012	NUT	2	
45	11415-40012	WASHER	2	
46	01716-01200	GASKET	1	
47	19030-00900	MOTOR ASSY	1	
48	14203-10910	O-RING	2	
49	00072-00011	FITTING	2	

74

FIG. 07 TRACK GEARBOX

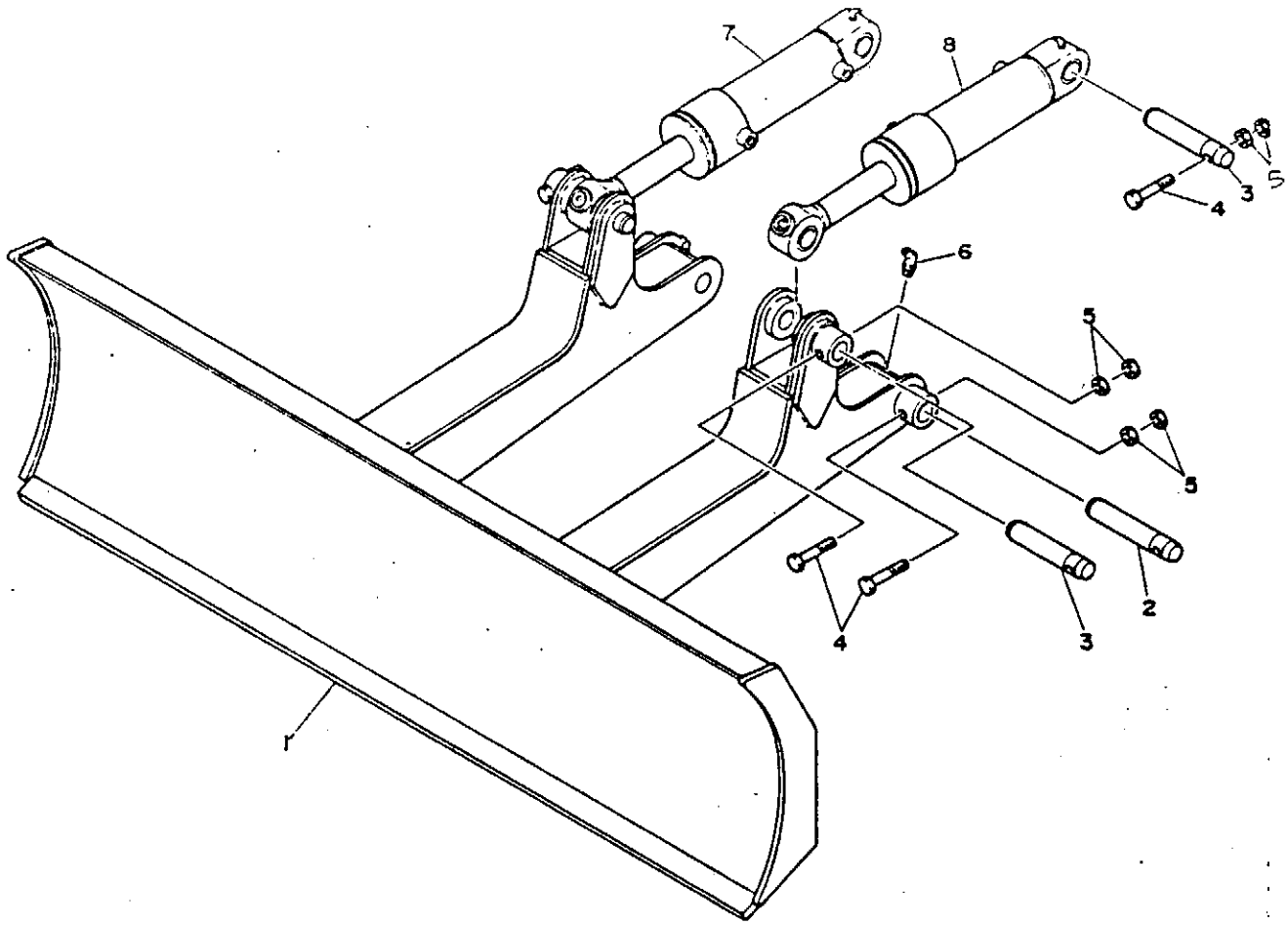


Qty	PARTS NUMBER	DESCRIPTION	Qty	REMARKS
	50	14200-10250 O-RING	4	
	51	00072-00009 PLUG	2	
	52	19015-00400 VALVE	1	#27-#407
		19015-00500 VALVE	1	#408 ~
	53	11011-51640 BOLT	4	
	54	11415-40016 WASHER	2	
	55	02116-22400 WASHER	2	

NOTE

Item 30 → Old Part. 00916-20800... Interchangeable
 #150 ~

FIG. 08 BLADE



QTY	PARTS NUMBER	DESCRIPTION	QTY	REMARKS
1	01563-20100	BLADE	1	
2	01363-00200	PIN	2	
3	01363-00300	PIN	4	
4	11000-51070	BOLT	6	
5	11300-50010	NUT	12	
6	15600-01675	NIPPLE Grease	2	
7	19000-00700	CYLINDER ASSY (RH)	14	#27 ~#136
	19000-07100	CYLINDER ASSY (RH)	17	#137 ~
8	19000-00800	CYLINDER ASSY (LH)	14	#27 ~#136
	19000-07200	CYLINDER ASSY (LH)	17	#137 ~

UPPER MACHINE 1

FIG. 13 CONTROL LEVER, OPERATION

FIG. 14 CONTROL LEVER, BLADE

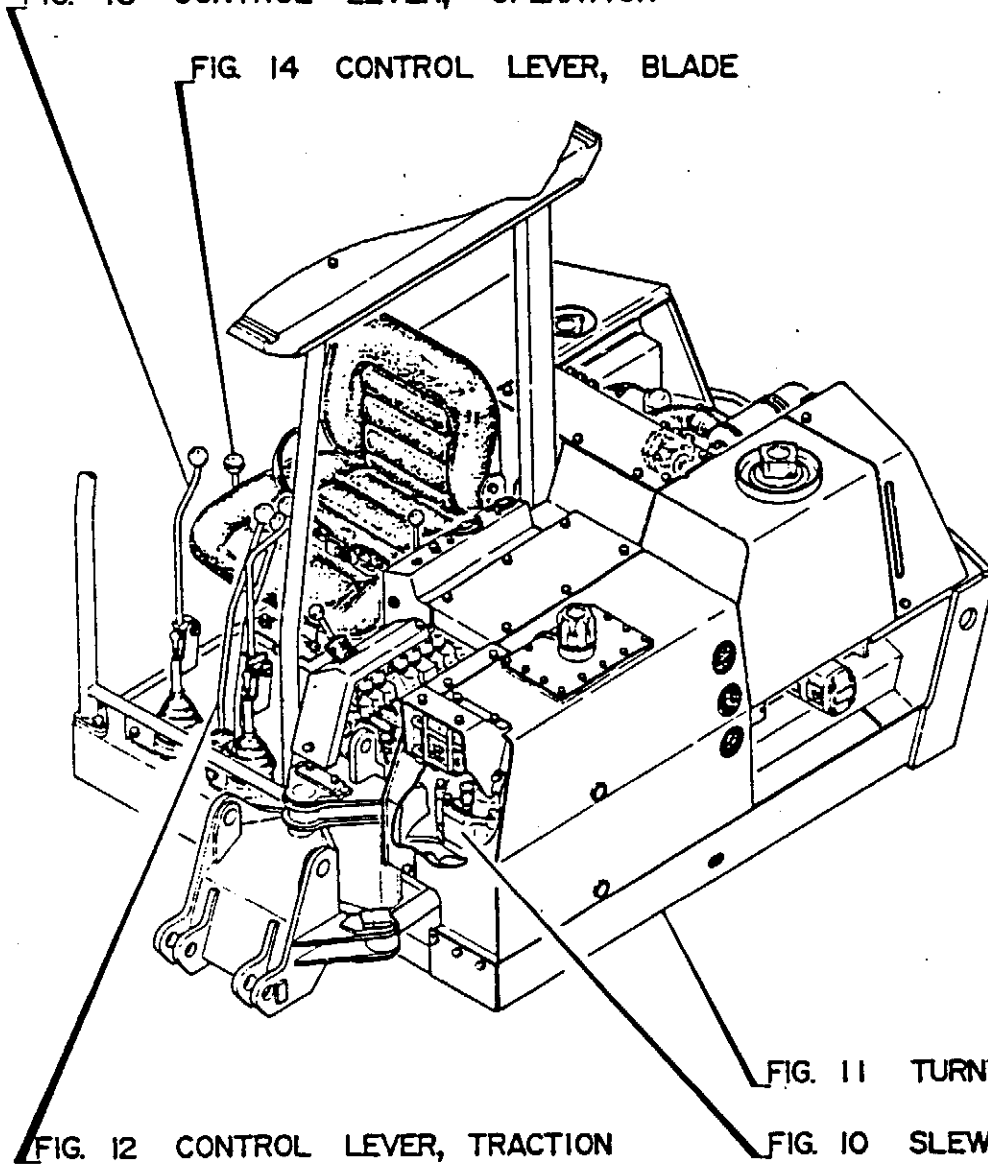
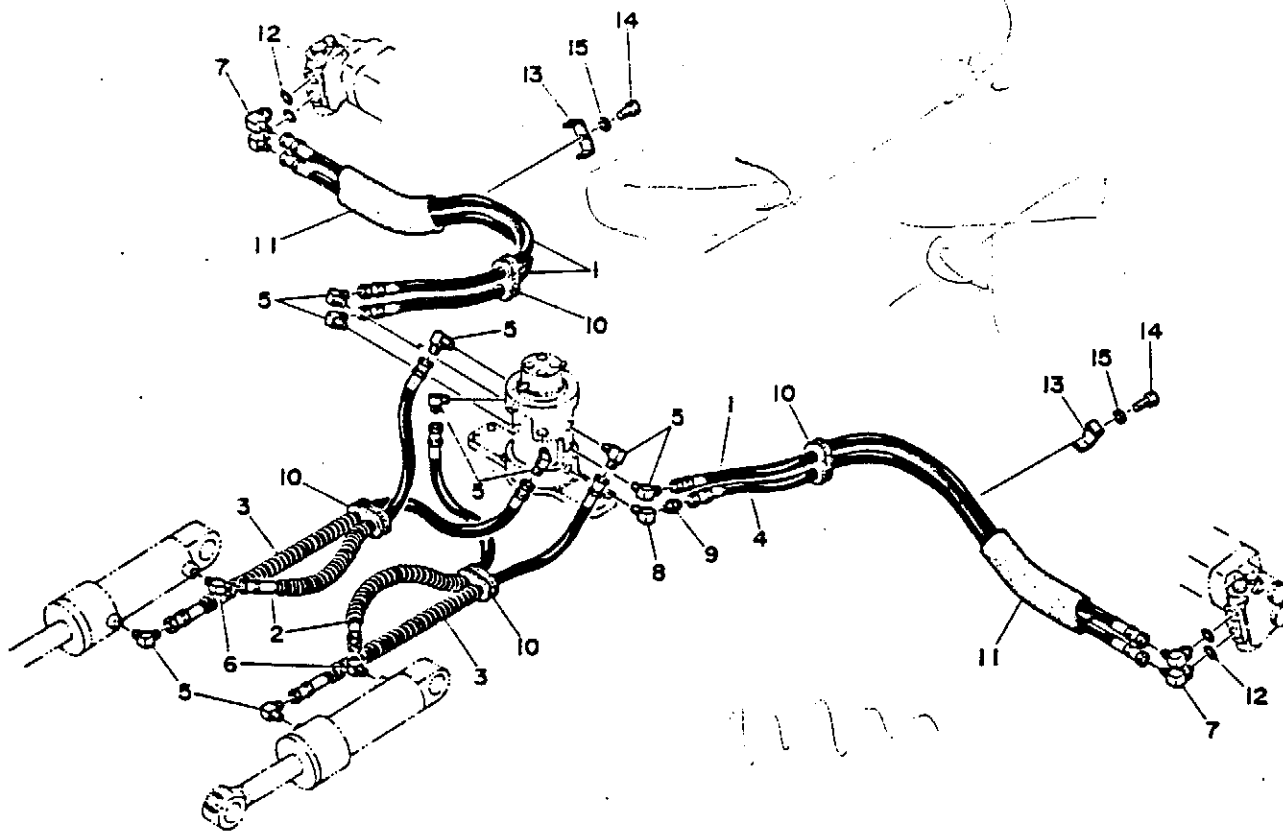


FIG. 11 TURNTABLE

FIG. 12 CONTROL LEVER, TRACTION

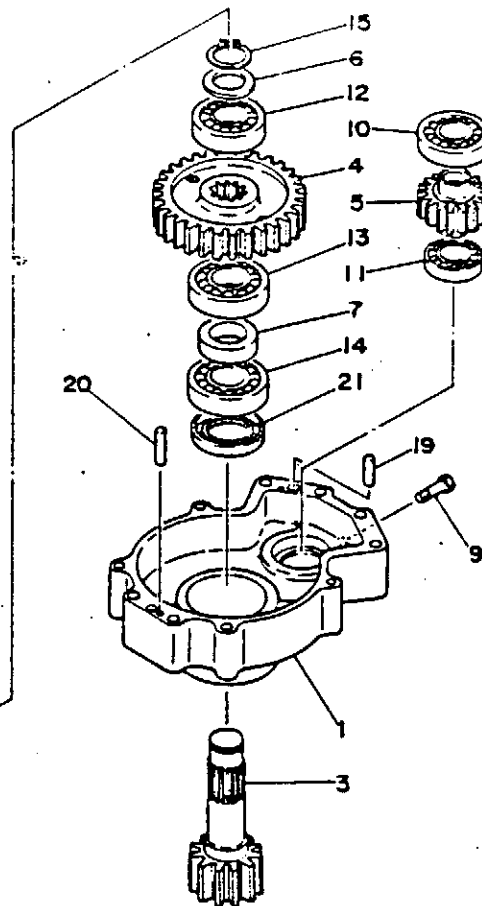
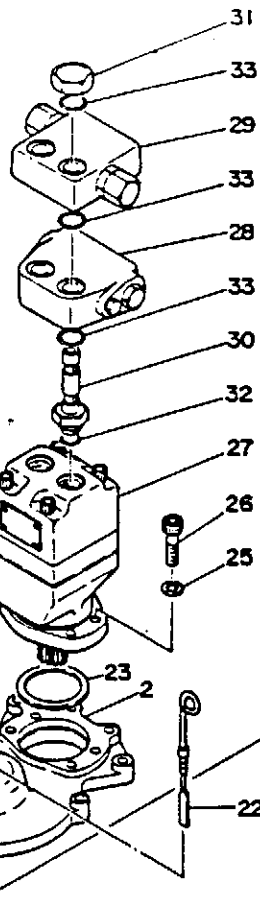
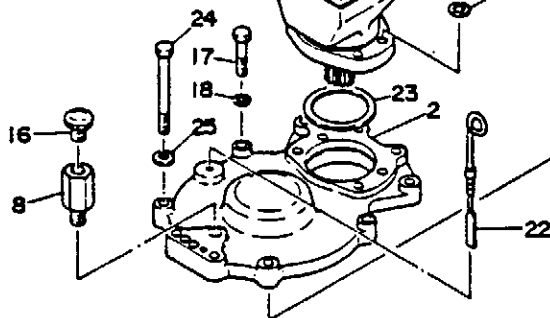
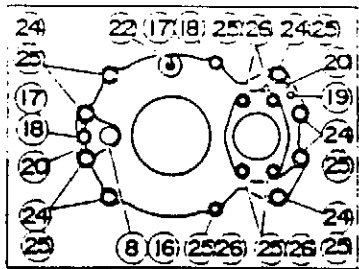
FIG. 10 SLEW
GEARBOX

FIG. 09 PIPING, LOWER



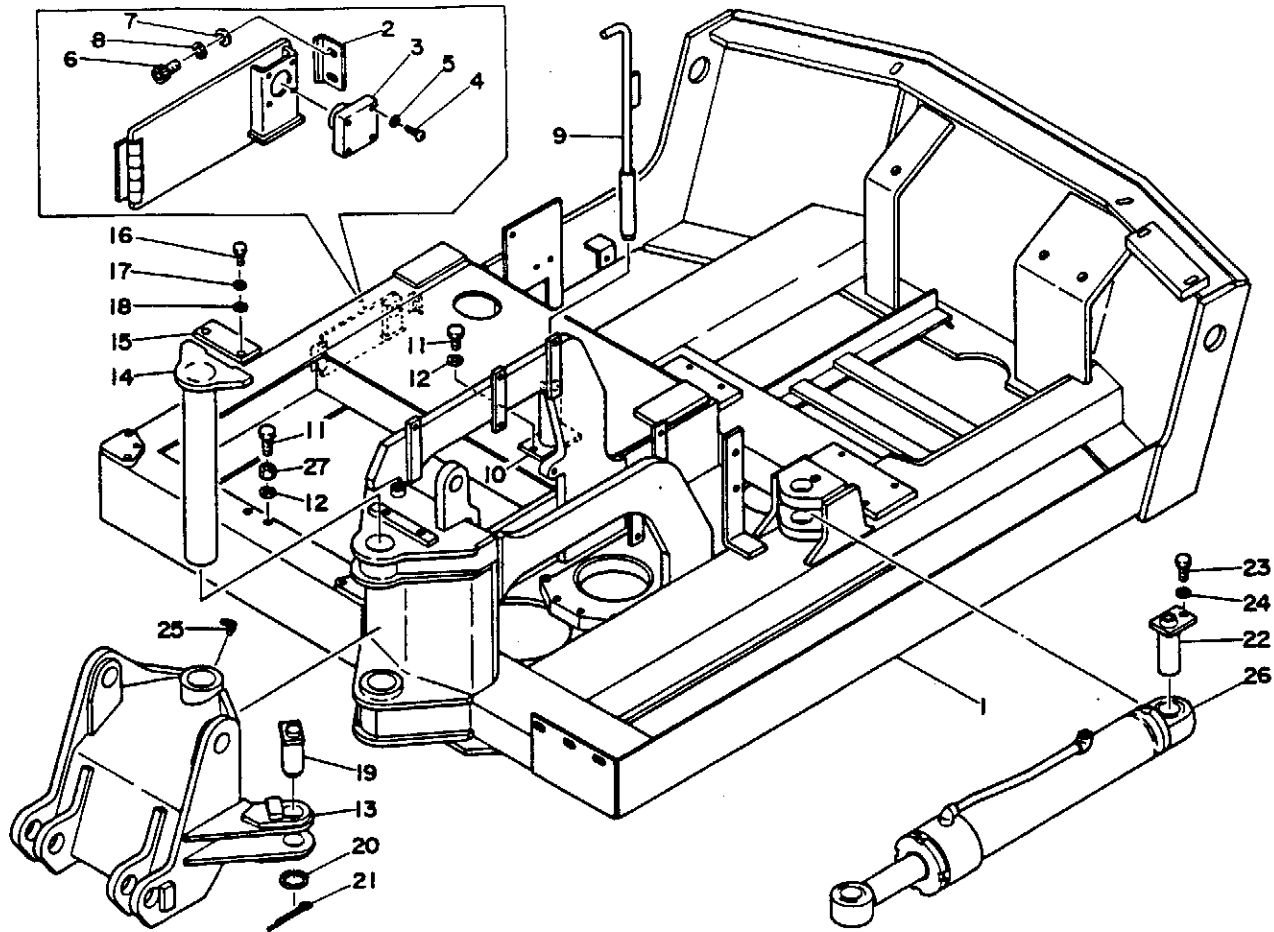
Qty	PARTS NUMBER	DESCRIPTION	REMARKS
3	19082-09085	HOSE ASSY	
2	19086-09060	HOSE ASSY	
2	19086-09080	HOSE ASSY	
1	19082-09080	HOSE ASSY	
3	15111-00003	ELBOW, 90°	
2	15112-00003	ELBOW, 45°	
4	15152-00333	ELBOW, 30°	
1	15019-86506	ELBOW, 90°	
1	15110-00003	ADAPTOR	
4	00972-10300	GUARD	
2	15313-50450	GUARD	
4	14203-10908	O-RING	
2	01310-01200	CLAMP	
2	11000-50830	BOLT	
2	11400-10008	WASHER, Spring	

FIG. 10 SLEW GEARBOX



Q'ty	PARTS NUMBER	DESCRIPTION	REMARKS	Q'ty	PARTS NUMBER	DESCRIPTION	REMARKS
1	01123-90000	GEAR BOX ASSY		12	11415-40012	WASHER	
1	01123-00100	*CASE		4	11110-51243	BOLT, Socket	
1	01423-00200	*COVER		1	19030-01400	MOTOR ASSY	
1	01123-20300	*PINION		1	19015-00400	VALVE	
1	01423-00500	*GEAR		1	19016-10700	VALVE	
1	01423-10600	*GEAR		2	00072-00010	FITTING	
1	00036-35505	*WASHER		2	00072-00009	PLUG	
1	00030-41020	*COLLAR		2	14203-10910	O-RING	
1	00072-00012	*BUSHING		6	14200-10250	O-RING	
1	01380-10700	*PLUG					
1	13000-06208	*BEARING					
1	13000-06008	*BEARING					
1	13001-06307	*BEARING					
1	13000-06308	*BEARING					
1	13000-99308	*BEARING					
1	12200-00035	*RING, Snap					
1	15540-00004	*CAP, Oil					
3	11000-51050	*BOLT					
3	11400-10010	*WASHER, Spring					
1	12120-01036	*PIN, Dowel					
2	12120-00845	*PIN, Dowel					
1	14002-02987	*SEAL, Oil					
1	15531-12403	*GAUGE					
1	00036-00007	WASHER					
8	11011-51210	BOLT					

FIG. 11 TURNTABLE

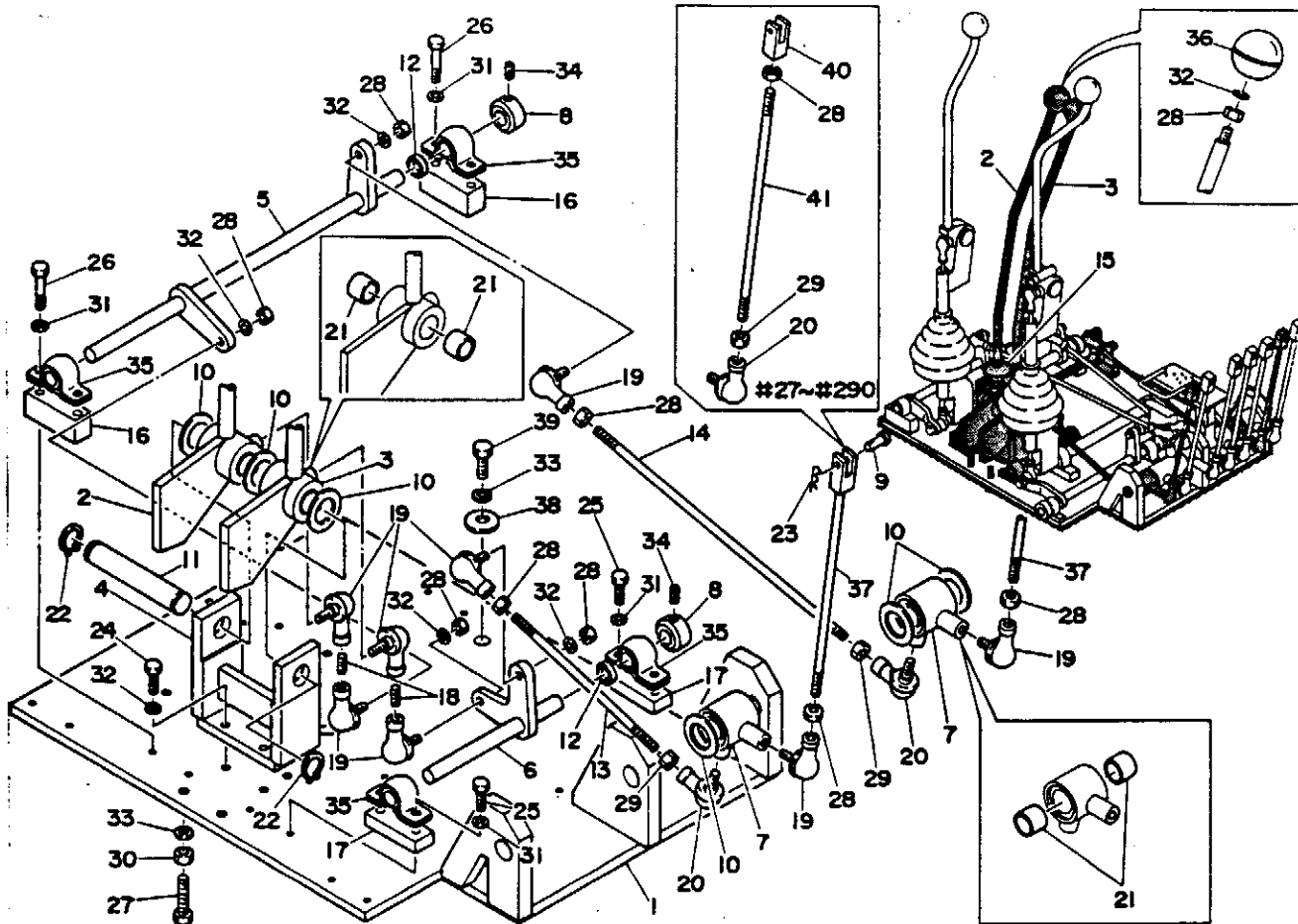


Item	PARTS NUMBER	DESCRIPTION	Qty	REMARKS	Item	PARTS NUMBER	DESCRIPTION	Qty	REMARKS
1	01530-20000	TURNTABLE	1		25	15600-01900	NIPPLE, Grease	2	
2	01530-20800	*PLATE	1		26	19000-00100	CYLINDER, Swing	1	
3	16570-03200	*LOCK	1	#27~#190	27	11300-50010	NUT	2	
3-1	16533-13400	*LOCK	1	#200 ~					
4	11205-30315	*SCREW, Pan head	4						
5	11400-20003	*WASHER, Spring	4						
6	11100-50815	*BOLT, Socket	2						
7	11415-40008	*WASHER	2						
8	11400-20008	*WASHER, Spring	2						
9	01522-10300	PIN, Lock	1						
10	01522-10200	BRACKET	1						
11	11000-51025	BOLT	4						
12	11400-10010	WASHER, Spring	4						
13	01331-10100	BRACKET, Boom	1						
14	00019-00013	SHAFT	1						
15	01331-10200	PLATE	1						
16	11010-51225	BOLT	2						
17	11400-10012	WASHER, Spring	2						
18	11411-00012	WASHER, Plain	2						
19	00010-40111	PIN	1						
20	00030-40005	COLLAR	1						
21	12100-00860	PIN, Split	1						
22	00019-00003	PIN	1						
23	11000-51030	BOLT	1						
24	11400-10010	WASHER, Spring	1						

NOTE

Item 1 has both old type with serial number #27~#252 and new type with serial number #253 ~

FIG. 12-1 CONTROL LEVER, TRACTION

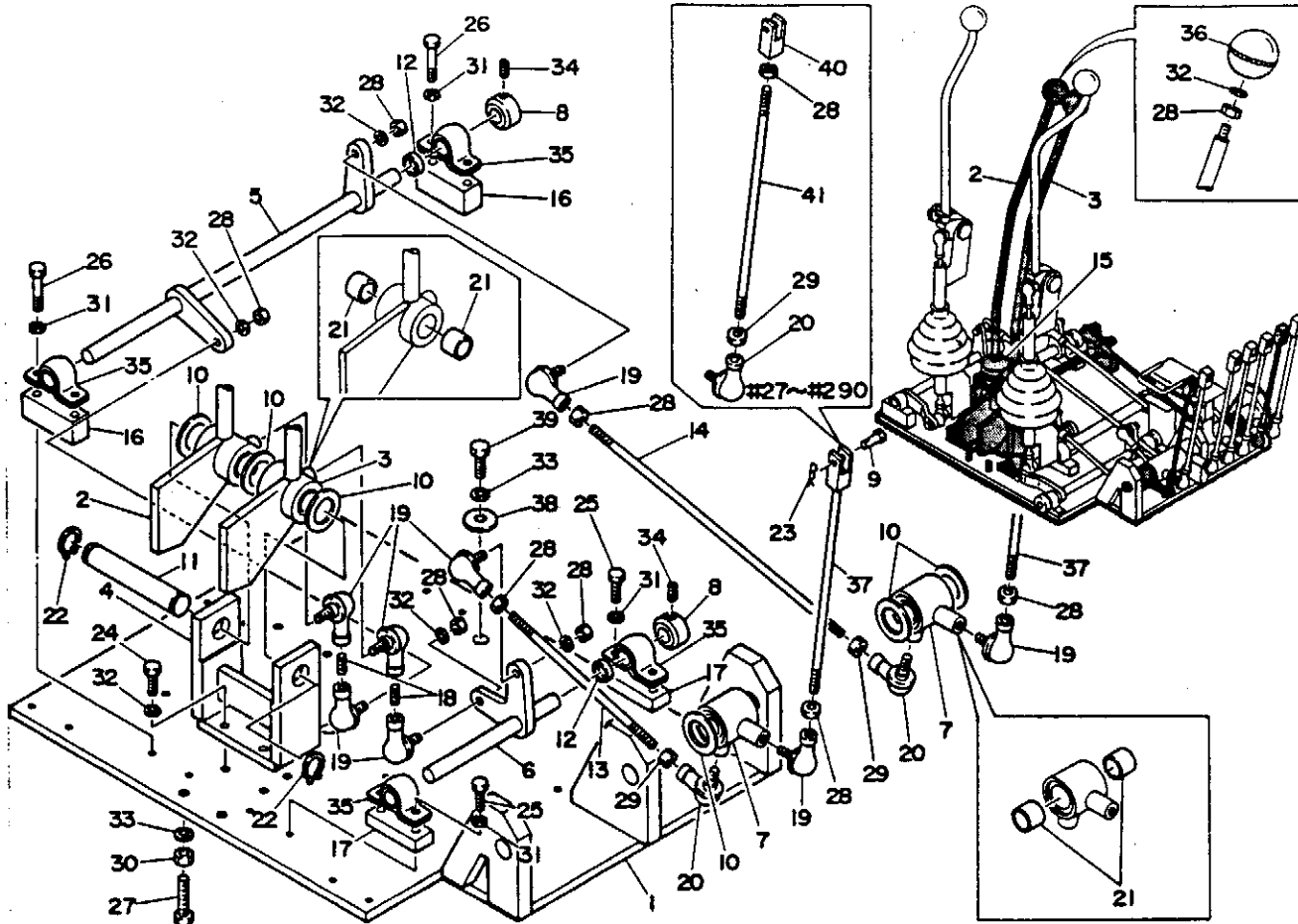


Item	PARTS NUMBER	DESCRIPTION	Qty	REMARKS	Item	PARTS NUMBER	DESCRIPTION	Qty	REMARKS
1	01532-00100	PLATE, Lever	1		26	11000-50635	BOLT	4	
2	01532-00600	LEVER (R. H.), Traction	1		27	11002-51040	BOLT	2	
3	01532-00700	LEVER (L. H.), Traction	1		28	11300-50008	NUT	10	
4	01332-00800	BRACKET	1		29	11315-50008	NUT	4	#27~#290
5	01332-11100	LEVER	1			11315-50008	NUT	2	#291 ~
6	01332-11200	LEVER	1		30	11300-50010	NUT	2	
7	01332-11800	LEVER	2		31	11400-10006	WASHER, Spring	8	
8	01632-08200	STOPPER	2		32	11400-10008	WASHER, Spring	10	
9	00040-05117	PIN	2		33	11400-10010	WASHER, Spring	6	
10	01632-16200	WASHER	6		34	11210-50808	SET. Screw	2	
11	00042-20110	SHAFT	1		35	13320-01518	MINI-PILLOW	4	
12	00030-15005	COLLAR	2		36	16500-03508	GRIP	2	
13	00050-08195	ROD	1		37	00053-05275	ROD, Yoke	2	#291 ~
14	00050-08330	ROD	1		38	00036-00006	WASHER	4	
15	01632-09900	BOOT	2		39	11000-51025	BOLT	4	
16	01332-14500	SPACER	2		40	00055-05032	YOKE	2	#27~#290
17	00062-00001	SPACER	2		41	00050-08250	ROD	2	#27~#290
18	11210-50828	SET. Screw	2						
19	13400-00080	ROD, End	8						
20	13400-00085	ROD, End	2						
21	13330-02015	BUSHING	8						
22	12200-00020	RING, Snap	2						
23	12140-00005	PIN, Snap	2						
24	11000-50820	BOLT	4						
25	11000-50625	BOLT	4						

NOTE

Item 37 → Item 40 → Item 41 ... Interchangeable
 For U.S.A. For France

FIG. 12-2 CONTROL LEVER, TRACTION



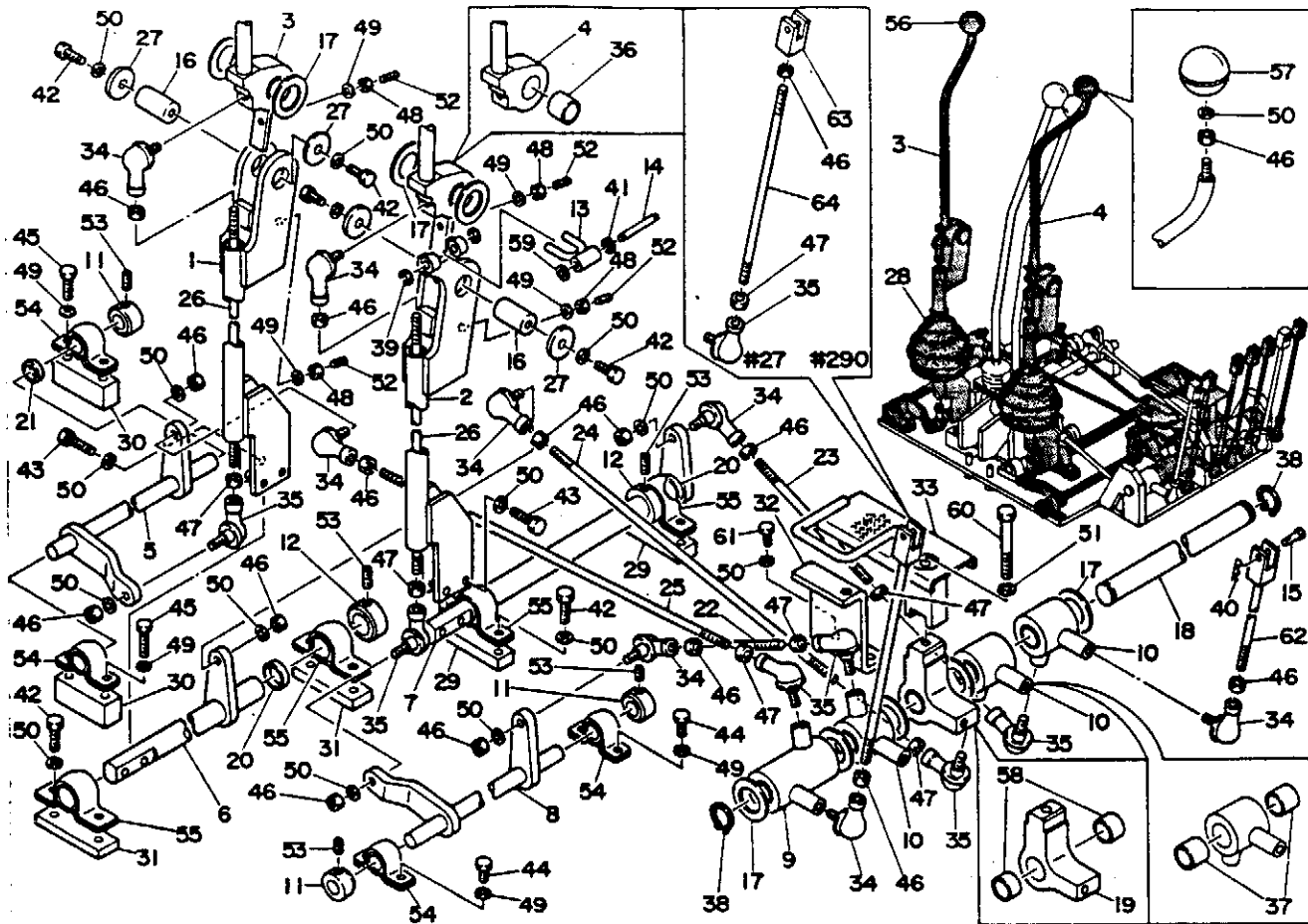
Item	PARTS NUMBER	DESCRIPTION	Qty	REMARKS	Item	PARTS NUMBER	DESCRIPTION	Qty	REMARKS
1	01532-00100	PLATE, Lever	1		26	11000-50635	BOLT	4	
2	01532-00600	LEVER (R. H.), Traction	1		27	11002-51040	BOLT	2	
3	01532-00700	LEVER (L. H.), Traction	1		28	11300-50008	NUT	10	
4	01332-00800	BRACKET	1		29	11315-50008	NUT	4	#27~#290
5	01332-11100	LEVER	1			11315-50008	NUT	2	#291 ~
6	01332-11200	LEVER	1		30	11300-50010	NUT	2	
7	01332-11800	LEVER	2		31	11400-10006	WASHER, Spring	8	
8	01632-08200	STOPPER	2		32	11400-10008	WASHER, Spring	10	
9	00040-05117	PIN	2		33	11400-10010	WASHER, Spring	6	
10	01632-16200	WASHER	6		34	11210-50808	SET, Screw	2	
11	00042-20110	SHAFT	1		35	13320-01518	MINI-PILLOW	4	
12	00030-15005	COLLAR	2		36	16500-03508	GRIP	2	
13	00050-08195	ROD	1		37	00053-05275	ROD, Yoke	2	#291 ~
14	00050-08330	ROD	1		38	00036-00006	WASHER	4	
15	01632-09900	BOOT	2		39	11000-51025	BOLT	4	
16	01332-14500	SPACER	2		40	00055-05032	YUKE	2	#27~#290
17	00062-00001	SPACER	2		41	00050-08250	ROD	2	#27~#290
18	11210-50828	SET, Screw	2						
19	13400-00080	ROD, End	8						
20	13400-00085	ROD, End	2						
21	13330-02015	BUSHING	8						
22	12200-00020	RING, Snap	2						
23	12140-00005	PIN, Snap	2						
24	11000-50820	BOLT	4						
25	11000-50625	BOLT	4						

NOTE

Item 37 → Item 40 + Item 41 ... Interchangeable

For China

FIG. 13-1 CONTROL LEVER, OPERATION



1 PARTS NUMBER DESCRIPTION Q'ty REMARKS

1	01932-10200	LEVER (R. H.)	1	
2	01532-10300	LEVER (L. H.)	1	
3	01532-00400	LEVER (R. H.), Operation	1	
4	01532-00500	LEVER (L. H.), Operation	1	
5	01332-10900	LEVER	1	
6	01332-11000	LEVER	1	
7	01332-11300	LEVER	1	
8	01332-11400	LEVER	1	
9	01532-11700	LEVER	1	
10	01532-01800	LEVER	3	
11	01632-08200	STOPPER	3	
12	01632-09400	STOPPER	2	
13	01632-10300	LEVER, Lock	1	
14	00042-00646	PIN	1	
15	00040-05117	PIN	5	
16	01632-16100	PIN	2	
17	01632-16200	WASHER	9	
18	00042-20343	SHAFT, Lever	1	
19	01532-03000	LEVER	1	
20	00030-20005	COLLAR	2	
21	00030-15005	COLLAR	1	
22	00050-08075	ROD	1	
23	00050-08155	ROD	1	
24	00050-08380	ROD	1	
25	00050-08460	ROD	1	

NOTE For U.S.A. and France

Rev. Q

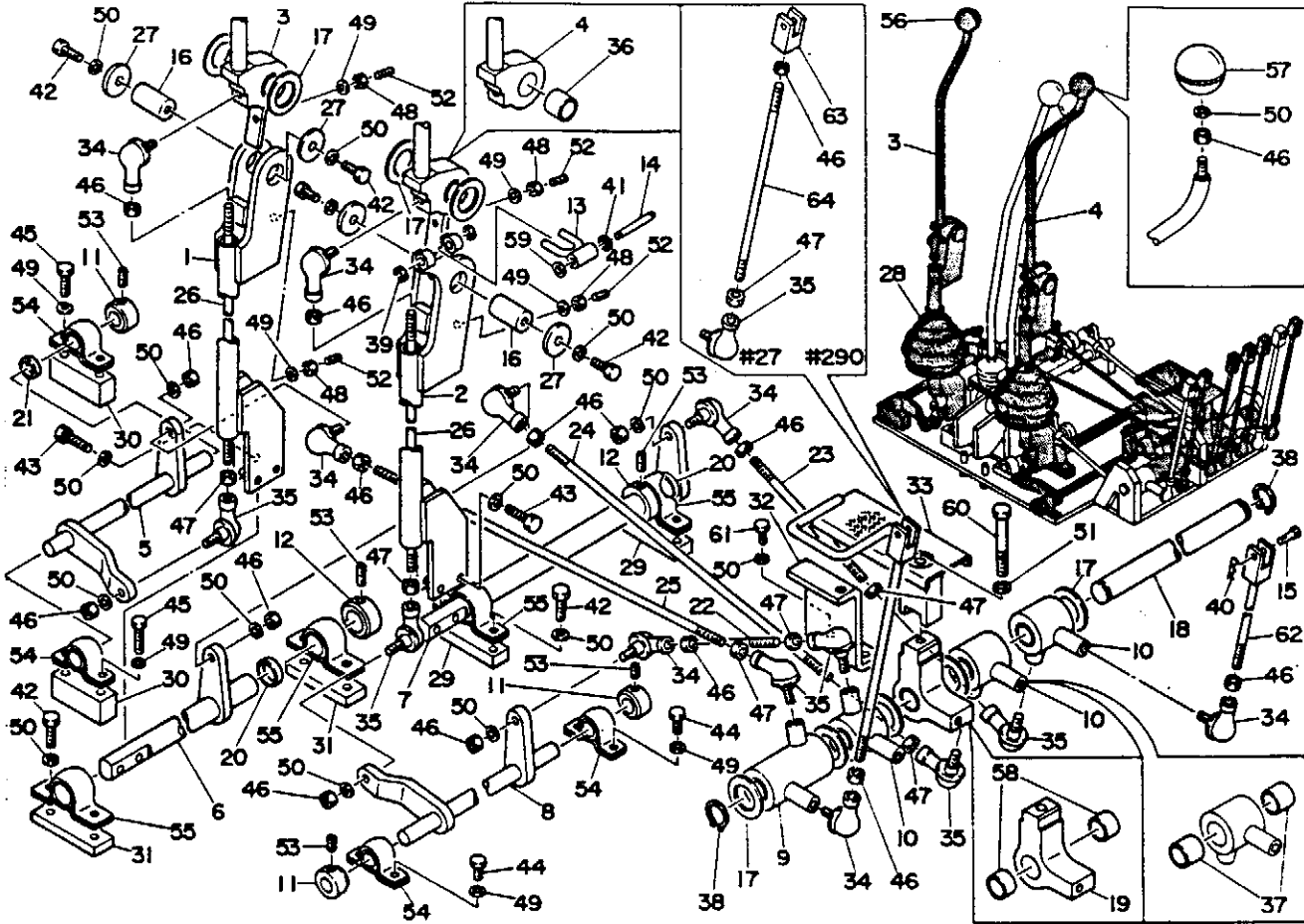
1 PARTS NUMBER DESCRIPTION Q'ty REMARKS

26	00050-08350	ROD	2	
27	00036-09003	WASHER	4	
28	01632-09800	BOOT	2	
29	01332-14400	SPACER	2	
30	01332-14500	SPACER	2	
31	00062-00001	SPACER	2	
32	01532-04700	BRACKET	1	
33	01532-04800	PEDAL	1	
34	13400-00080	ROD, End	6	#27-#290
	13400-00080	ROD, End	11	#291 ~
35	13400-00085	ROD, End	11	#27-#290
	13400-00085	ROD, End	6	#291 ~
36	13330-02020	BUSHING	2	
37	13330-02015	BUSHING	8	
38	12200-00020	RING, Snap	2	
39	12240-00004	E-RING	2	
40	12140-00005	PIN, Snap	5	
41	12250-00006	WASHER, Wave	1	
42	11000-50822	BOLT	12	
43	11000-50830	BOLT	4	
44	11000-50612	BOLT	4	
45	11000-50635	BOLT	4	
46	11300-50008	NUT	19	
47	11315-50008	NUT	11	#27-#290
	11315-50008	NUT	6	#291 ~

NOTE For U.S.A. and France

Rev. D

FIG. 13-1 CONTROL LEVER, OPERATION



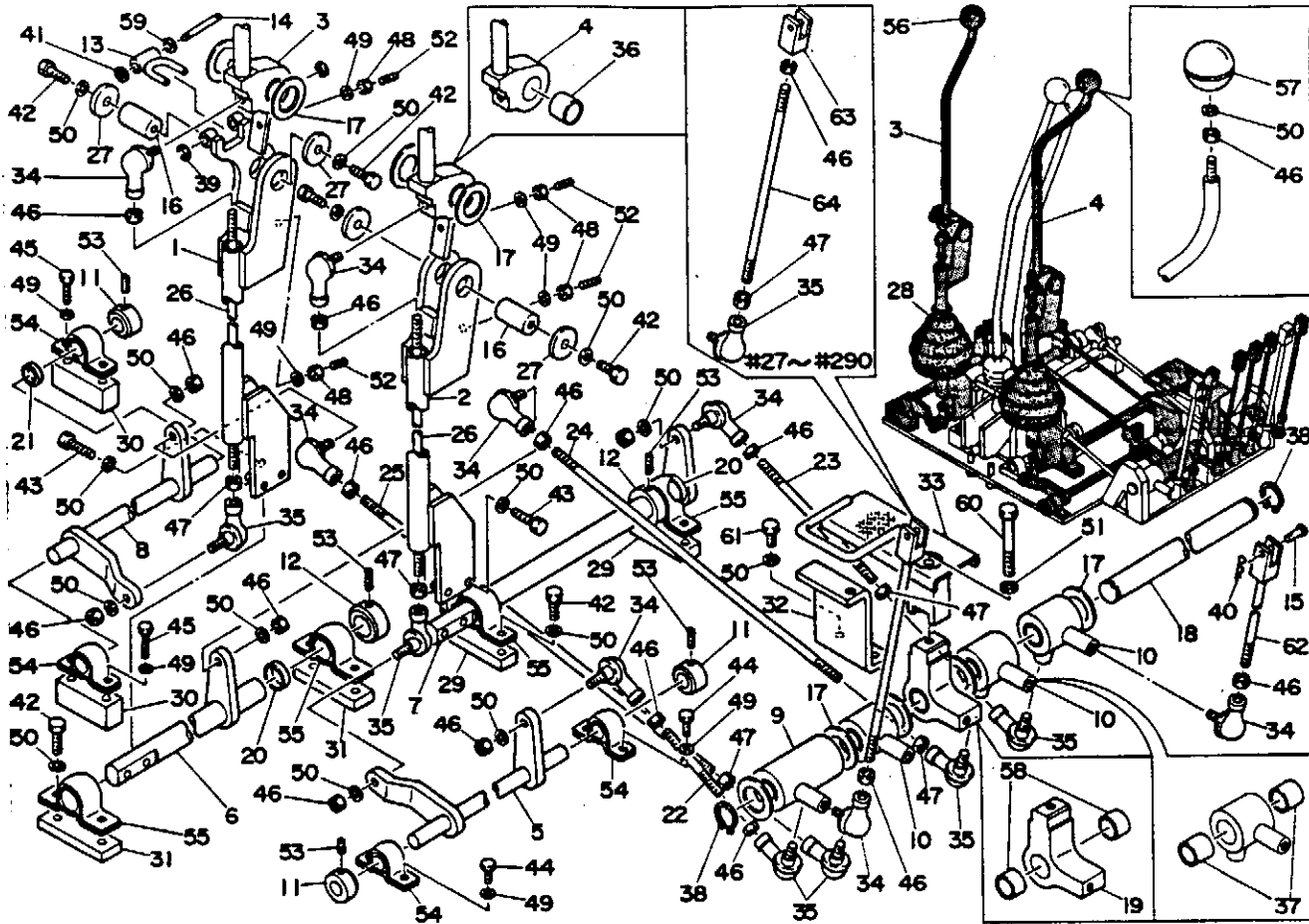
Item	PARTS NUMBER	DESCRIPTION	Qty	REMARKS
48	11300-50006	NUT	4	
49	11400-10006	WASHER, Spring	12	
50	11400-10008	WASHER, Spring	26	
51	11400-10010	WASHER, Spring	1	
52	11210-50620	SET. Screw	4	
53	11210-50808	SET. Screw	5	
54	13320-01518	MINI-PILLOW	4	
55	13320-02022	MINI-PILLOW	4	
56	16500-03508	GRIP	1	
57	16500-53508	GRIP	1	
58	13330-02012	BUSHING	2	
59	11411-10006	WASHER, Plain	1	
60	11000-51065	BOLT	1	
61	11000-50815	BOLT	2	
62	00053-05275	ROD, Yoke	5	#291 ~
63	00055-05032	YOKE	5	#27~#230
64	00050-08250	ROD	5	#27~#230

NOTE

Item 62 → Item 63 + Item 64 interchangeable

For U.S.A. and France

FIG. 13-2 CONTROL LEVER, OPERATION



Item	PARTS NUMBER	DESCRIPTION	Qty	REMARKS	Item	PARTS NUMBER	DESCRIPTION	Qty	REMARKS
1	01532-00200	LEVER (R. H.)	1		26	00050-08350	ROD	2	
2	01532-10300	LEVER (L. H.)	1		27	00036-09003	WASHER	4	
3	01532-00400	LEVER (R. H.), Operation	1		28	01632-09800	BOOT	2	
4	01532-00500	LEVER (L. H.), Operation	1		29	01332-14400	SPACER	2	
5	01332-10900	LEVER	1		30	01332-14500	SPACER	2	
6	01332-11000	LEVER	1		31	00062-00001	SPACER	2	
7	01332-11300	LEVER	1		32	01532-04700	BRACKET	1	
8	01332-11400	LEVER	1		33	01532-04800	PEDAL	1	
9	01532-01900	LEVER	1		34	13400-00080	ROD, End	6	#27~#290
10	01532-01800	LEVER	3			13400-00080	ROD, End	11	#291 ~
11	01632-08200	STOPPER	3		35	13400-00085	ROD, End	11	#27~#290
12	01632-09400	STOPPER	2			13400-00085	ROD, End	6	#291 ~
13	01632-10300	LEVER, Lock	1		36	13330-02020	BUSHING	2	
14	00042-00646	PIN	1		37	13330-02015	BUSHING	8	
15	00040-05117	PIN	5		38	12200-00020	RING, Soap	2	
16	01632-16100	PIN	2		39	12240-00004	E-RING	2	
17	01632-16200	WASHER	9		40	12140-00005	PIN, Soap	5	
18	00042-20343	SHAFT, Lever	1		41	12250-00006	WASHER, Wave	1	
19	01532-03000	LEVER	1		42	11000-50822	BOLT	12	
20	00030-20005	COLLAR	2		43	11000-50830	BOLT	4	
21	00030-15005	COLLAR	1		44	11000-50612	BOLT	4	
22	00050-08075	ROD	1		45	11000-50635	BOLT	4	
23	00050-08155	ROD	1		46	11300-50008	NUT	19	
24	00050-08380	ROD	1		47	11315-50008	NUT	11	#27~#290
25	00050-08460	ROD	1			11315-50008	NUT	6	#291 ~

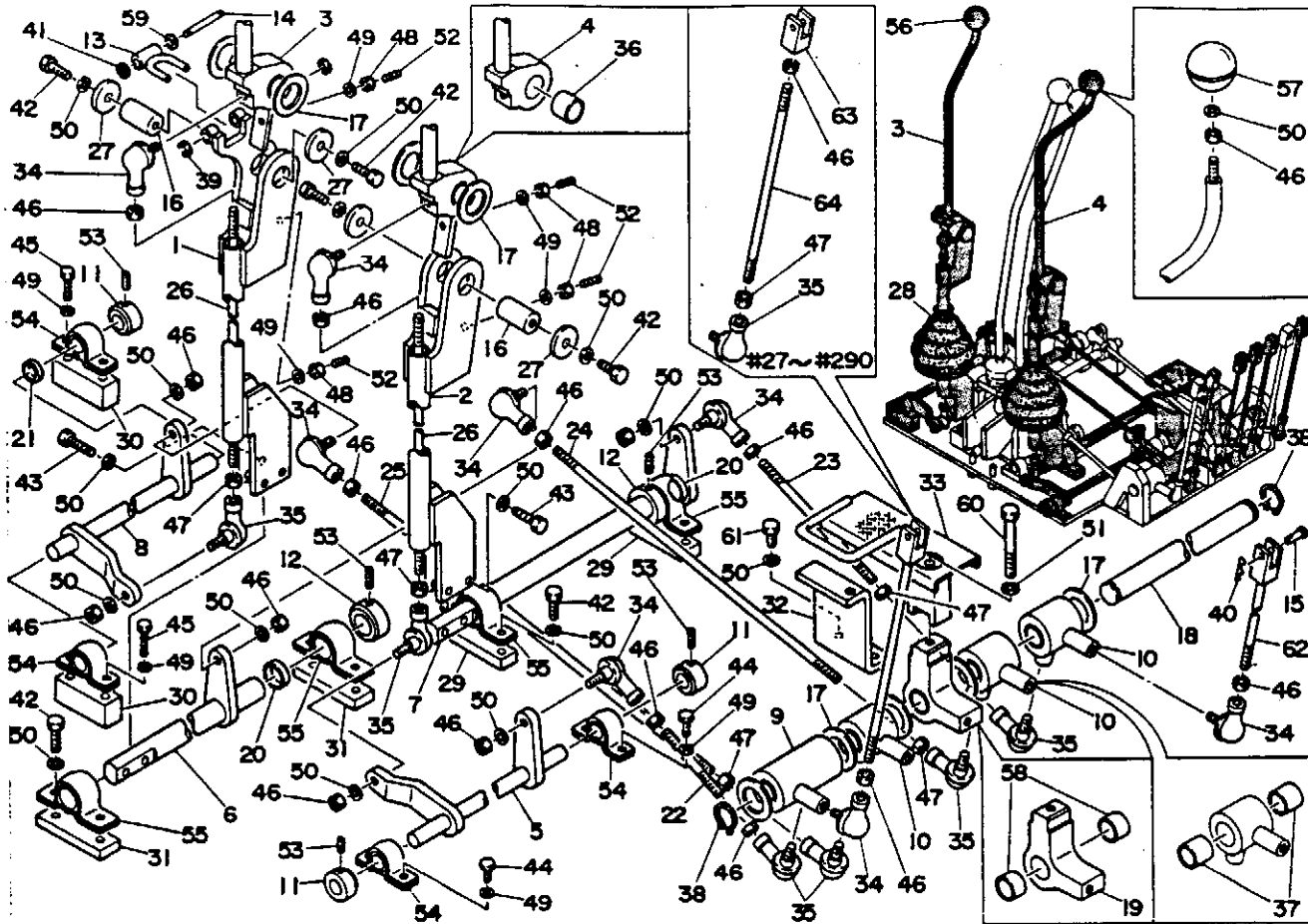
NOTE For China

Rev. D

NOTE For China

Rev. D

FIG. 13-2 CONTROL LEVER, OPERATION



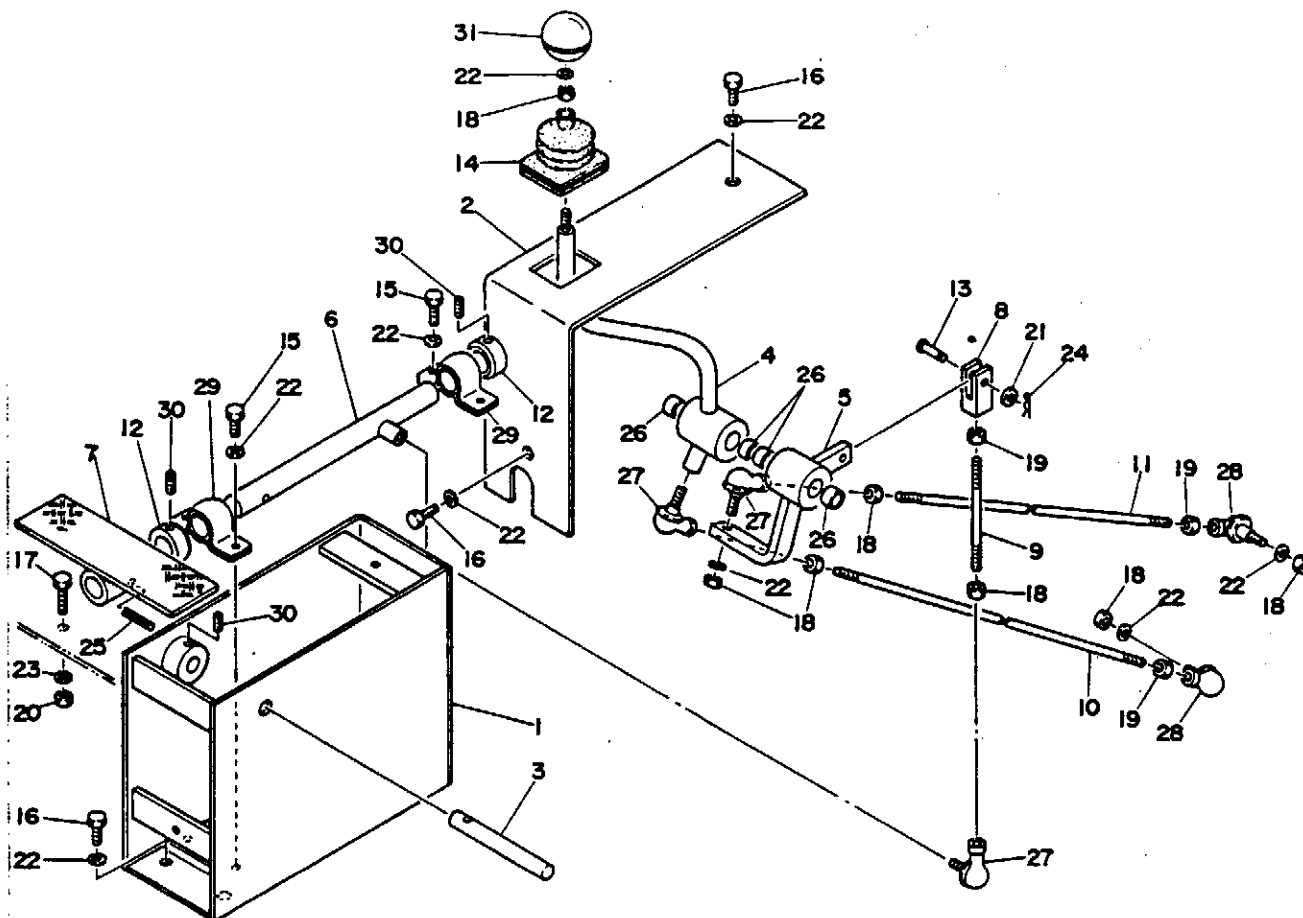
Item	PARTS NUMBER	DESCRIPTION	Qty	REMARKS
4	11300-50006	NUT	4	
9	11400-10006	WASHER, Spring	12	
50	11400-10008	WASHER, Spring	26	
51	11400-10010	WASHER, Spring	1	
52	11210-50620	SET. Screw	4	
53	11210-50808	SET. Screw	5	
54	13320-01518	MINI-PILLOW	4	
55	13320-02022	MINI-PILLOW	4	
56	16500-03508	GRIP	1	
57	16500-53508	GRIP	1	
58	13330-02012	BUSHING	2	
59	11411-10006	WASHER, Plain	1	
60	11000-51065	BOLT	1	
61	11000-50815	BOLT	2	
62	00053-05275	ROD, Yoke	5	#281 ~
63	00055-05032	YOKE	5	#27~#290
64	00050-08250	ROD	5	#27~#290

NOTE

Item 62 → Item 63+Item 64 ... interchangeable

For China

FIG. 14-1 CONTROL LEVER, BLADE

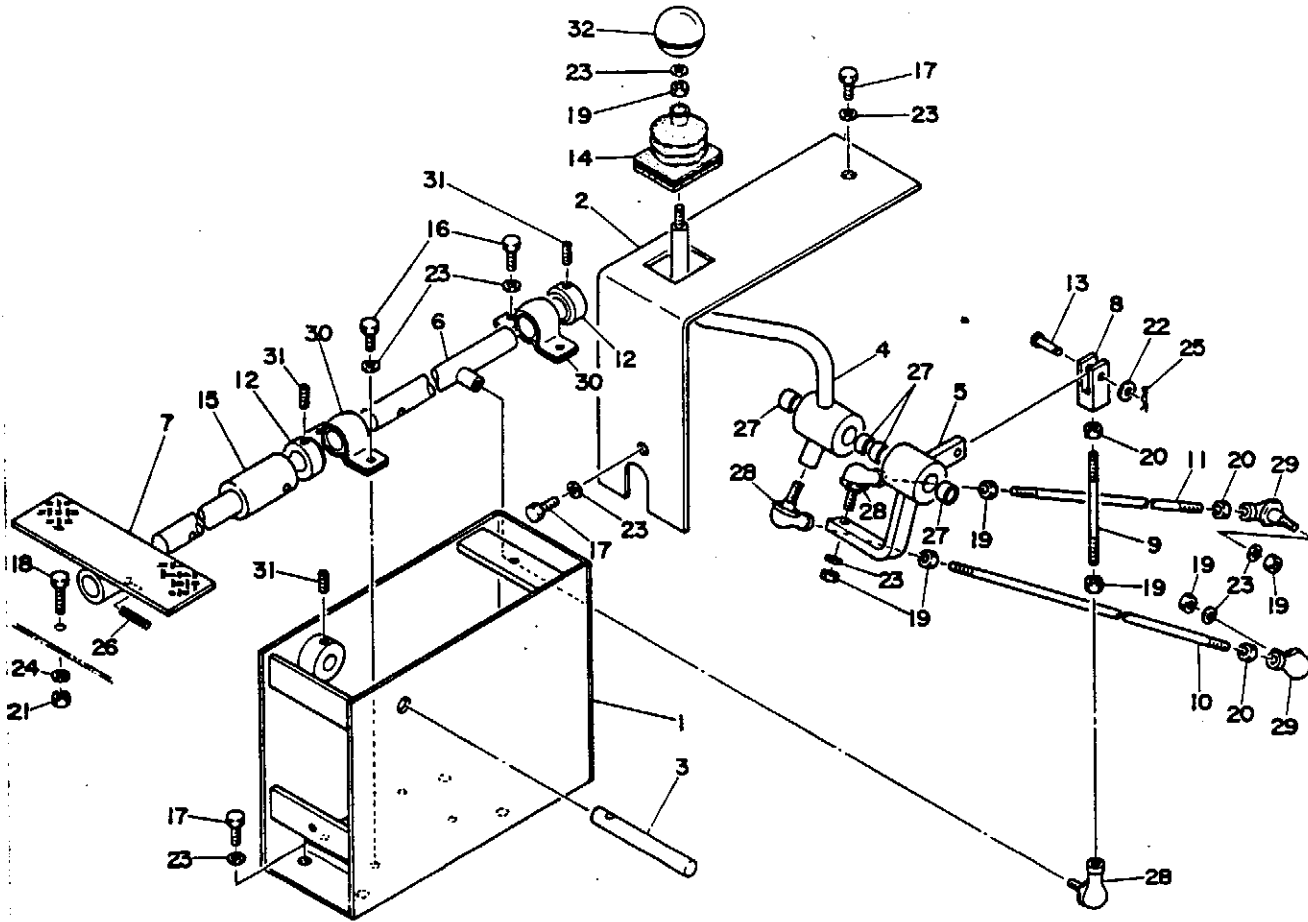


Item	PARTS NUMBER	DESCRIPTION	Q'ty	REMARKS	Item	PARTS NUMBER	DESCRIPTION	Q'ty	REMARKS
1	01533-12100	BRACKET	1		26	13330-01515	BUSHING	4	
2	01533-12200	COVER	1		27	13400-00080	ROD, End	3	
3	01633-00600	SHAFT	1		28	13400-00085	ROD, End	2	
4	01533-11600	LEVER	1		29	13320-02022	MINI-PILLOW	2	
5	01533-11700	LEVER	1		30	11210-50830	SET. Screw	3	
6	01533-11800	LEVER	1		31	16500-53508	GRIP	1	
7	01533-11500	PEDAL	1						
8	00056-08035	YOKE	1						
9	00050-08120	ROD	1						
10	00050-08410	ROD	1						
11	00050-08440	ROD	1						
12	01632-09400	STOPPER	2						
13	00040-08021	PIN	1						
14	01632-09900	BOOT	1						
15	11000-50812	BOLT	4						
16	11000-50815	BOLT	6						
17	11000-51040	BOLT	2						
18	11300-50008	NUT	7						
19	11315-50008	NUT	3						
20	11300-50010	NUT	2						
21	11411-00008	WASHER, Plain	1						
22	11400-10008	WASHER, Spring	14						
23	11400-10010	WASHER, Spring	2						
24	12140-00008	PIN, Soap	1						
25	12130-00840	PIN, Spring	1						

NOTE For U.S.A #382 ~. For France#253 ~#376.

NOTE For U.S.A #382 ~. For France#253 ~#376.

FIG. 14-2 CONTROL LEVER, BLADE



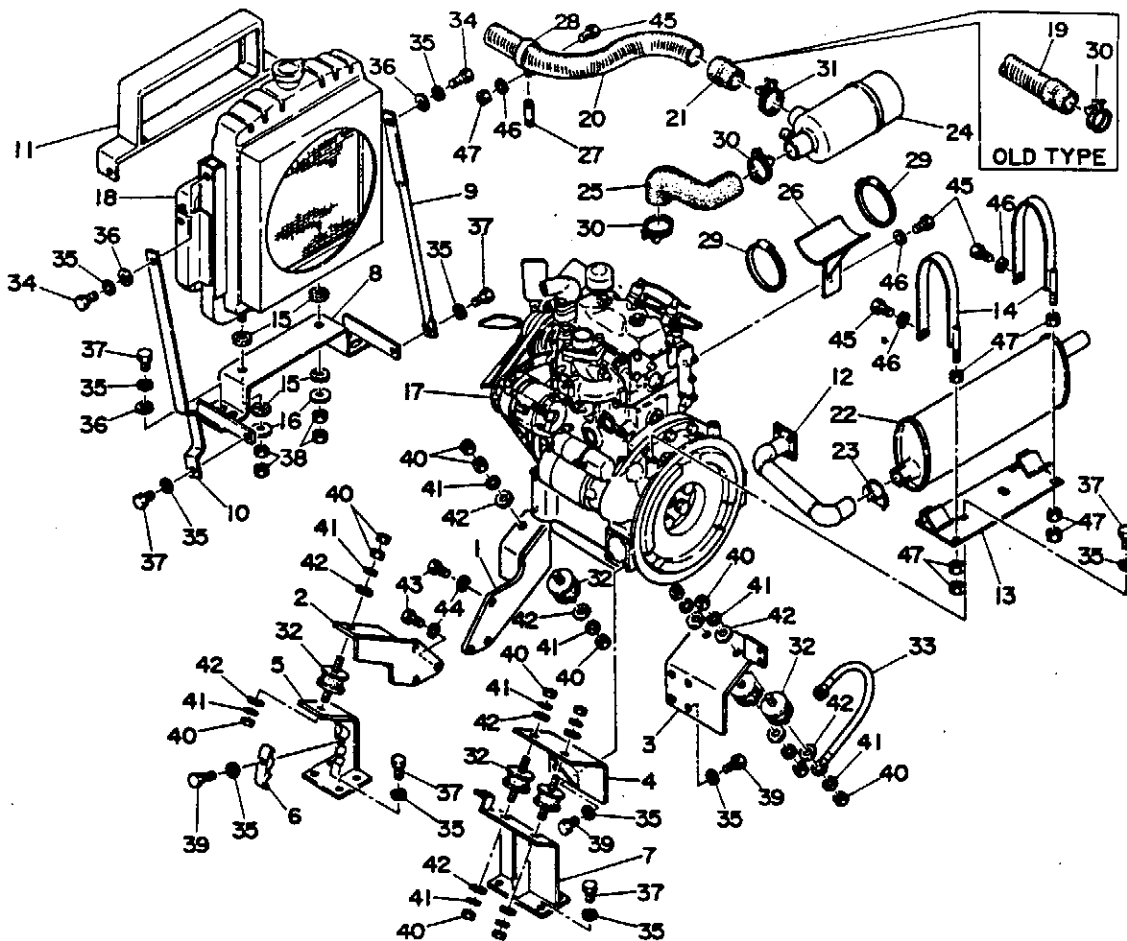
Item	PARTS NUMBER	DESCRIPTION	Q'ty	REMARKS	Item	PARTS NUMBER	DESCRIPTION	Q'ty	REMARKS
1	01533-12100	BRACKET	1		26	12130-00840	PIN, Spring	2	
2	01533-12200	COVER	1		27	13330-01515	BUSHING	4	
3	01533-00600	SHAFT	1		28	13400-00080	ROD, End	3	
4	01533-11600	LEVER	1		29	13400-00085	ROD, End	2	
5	01533-11700	LEVER	1		30	13320-02022	MINI-PILLOW	2	
6	01533-11800	LEVER	1		31	11210-50830	SET. Screw	3	
7	01533-11500	PEDAL	1		32	16500-53508	GRIP	1	
8	00056-08035	YOKE	1						
9	00050-08120	ROD	1						
10	00050-08410	ROD	1						
11	00050-08440	ROD	1						
12	01632-09400	STOPPER	2						
13	00040-08021	PIN	1						
14	01632-09900	BOOT	1						
15	01533-12300	SHAFT, Pedal	1						
16	11000-50812	BOLT	4						
17	11000-50815	BOLT	6						
18	11000-51040	BOLT	2						
19	11300-50008	NUT	7						
20	11315-50008	NUT	3						
21	11300-50010	NUT	2						
22	11411-10008	WASHER, Plain	1						
23	11400-10008	WASHER, Spring	14						
24	11400-10010	WASHER, Spring	2						
25	12140-00008	PIN, Snap	1						

NOTE For France#371 ~.

NOTE For France#371 ~.

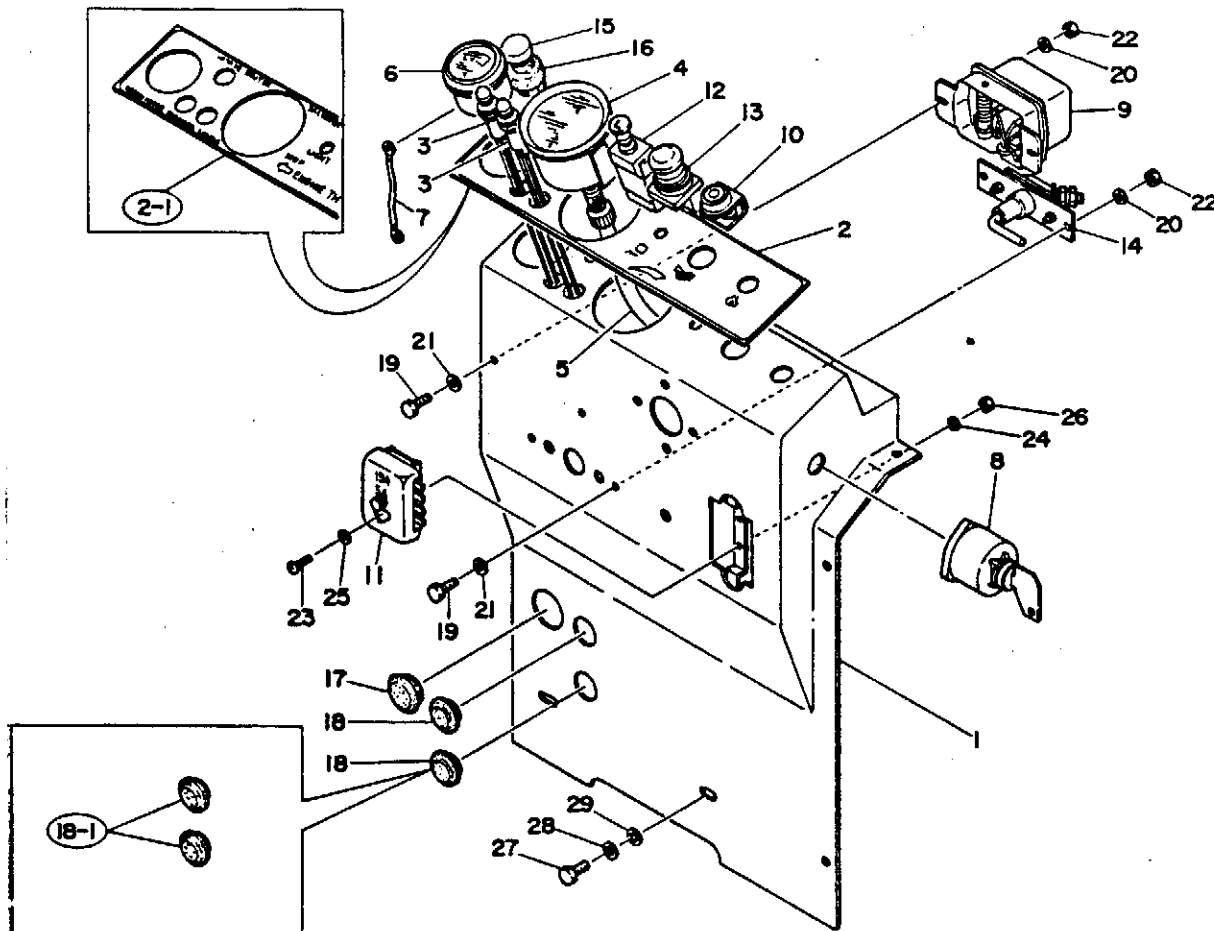
FIG. 15

ENGINE & ACCESSORIES



Q'ty	PARTS NUMBER	DESCRIPTION	REMARKS	Q'ty	PARTS NUMBER	DESCRIPTION	REMARKS
1	01640-00100	FOOT, Engine		1	24	19100-10006	AIR CLEANER
1	01640-05100	FOOT, Engine		1	25	19100-10007	HOSE
1	01940-00200	FOOT, Engine		1	26	01540-22100	BRACKET
1	01940-00300	FOOT, Engine		1	27	02240-21900	LINK
1	01540-20500	BRACKET		1	28	02240-22000	BRACKET
1	01540-20600	CLAMP		2	29	15337-00127	CLAMP
1	01540-20700	BRACKET		3	30	15330-01055	CLAMP
1	01540-30800	BRACKET		2	15330-01055	CLAMP	New Type
1	01540-21100	STAY		1	31	15330-01058	CLAMP
1	01540-21800	STAY		6	32	16510-10009	RUBBER, Cushion
1	01540-21200	DUCT		1	33	17024-01180	CABLE, Earth
1	01940-00600	JOINT		2	34	11010-41020	BOLT
1	01540-21400	BRACKET		27	35	11400-20010	WASHER, Spring
2	01640-07700	BAND, Mounting		6	36	11415-40010	WASHER
4	01540-21600	RUBBER		16	37	11000-41025	BOLT
2	01540-21700	WASHER		4	38	11305-40010	NUT
1	19100-10000	ENGINE		9	39	11000-41030	BOLT
1	19100-10004	RADIATOR ASSY		14	40	11300-40012	NUT
1	01540-22000	HOSE	Old Type	12	41	11400-20012	WASHER, Spring
1	15670-05065	HOSE ASSY	New Type	12	42	11411-10012	WASHER, Plain
1	15670-15065	*HOSE	New Type	6	43	11000-41435	BOLT
1	15670-25000	*CUFF	New Type	6	44	11400-20014	WASHER, Spring
1	19110-00100	MUFFLER	2271-22401	5	45	11000-40815	BOLT
1	19110-00400	MUFFLER	22422 -	5	46	11400-20008	WASHER, Spring
1	15333-00045	U-BOLT ASSY		7	47	11300-40008	NUT

FIG. 16 CONTROL BOX

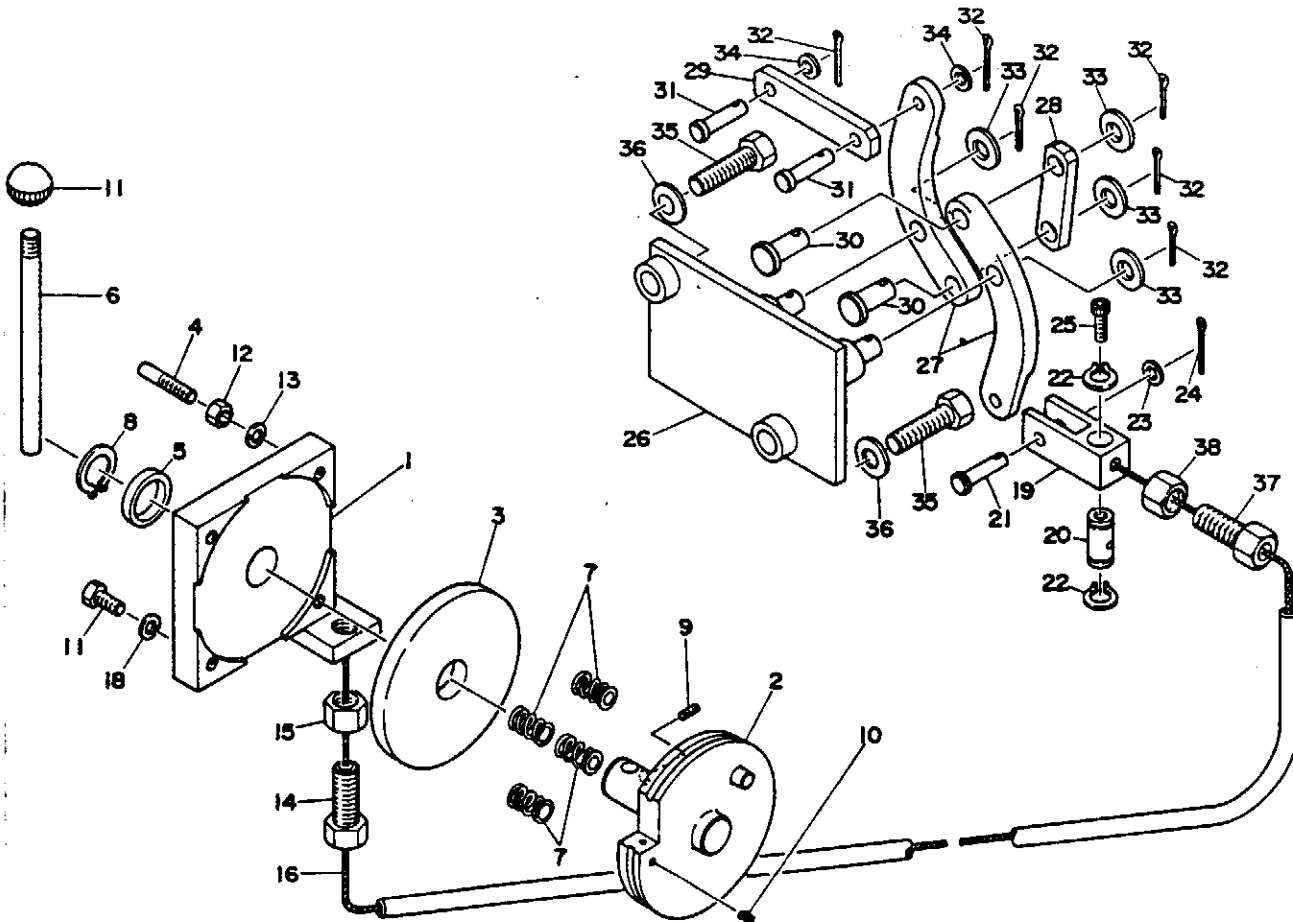


Item	PARTS NUMBER	DESCRIPTION	Qty	REMARKS	Item	PARTS NUMBER	DESCRIPTION	Qty	REMARKS
1	01543-00100	BOX, Control	1		23	11205-30520	SCREW, Pan head	2	
2	01543-01200	PANEL, Control	1		24	11400-20005	WASHER, Spring	2	
	01543-00200	PANEL, Control	1		25	11411-10005	WASHER, Plain	4	
3	19100-01013	LAMP, Pilot	2		26	11300-30005	NUT	2	
4	19100-01011	TACHOMETER	1		27	11000-40820	BOLT	2	
5	19100-01012	SHAFT, Flexible	1		28	11400-20008	WASHER, Spring	2	
6	19100-01010	THERMOMETER	1	#27~#391	29	11411-10008	WASHER, Plain	2	
	19100-19019	THERMOMETER	1	#392 ~					
7	02642-00500	WIRE, Earth	1	#392 ~					
8	19100-01007	SWITCH, Starter	1						
9	19100-01009	REGULATOR	1						
10	19100-01008	SIGNAL, Glow	1						
11	19100-02009	BOX, Fuse	1						
12	17010-00102	SWITCH, Light	1						
13	17000-01211	SWITCH, Horn	1						
14	17011-00500	SWITCH, Main	1						
15	19100-08002	CABLE	1						
16	00079-00008	COVER	1						
17	16520-02802	GROMMET	1						
18	16580-01902	GROMMET	2						
	16520-52800	GROMMET	2						
19	11000-30620	BOLT	4						
20	11400-20006	WASHER, Spring	4						
21	11411-10006	WASHER, Plain	4						
22	11300-30006	NUT	4						

NOTE

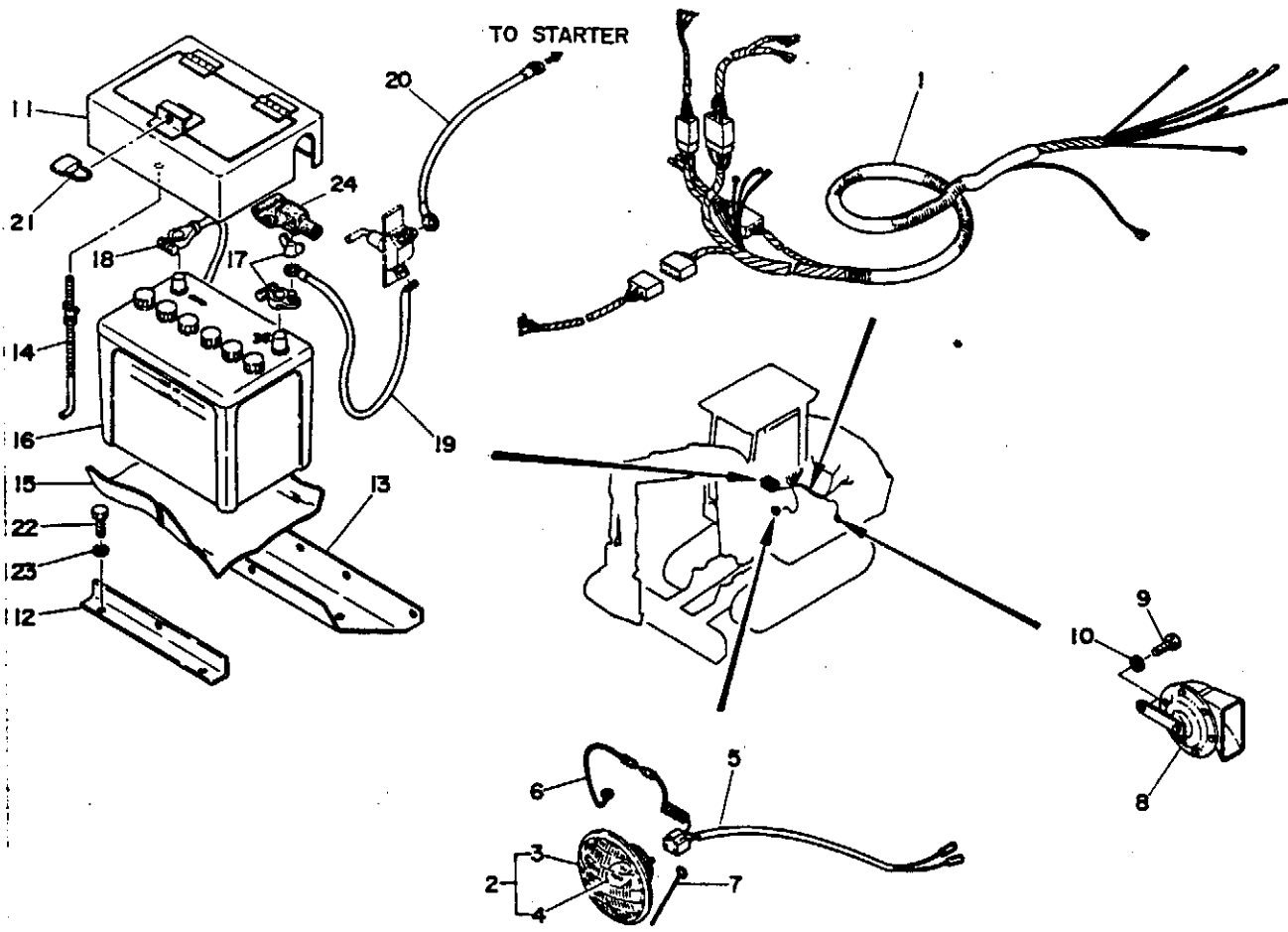
Item 6 (19100-19019) + Item 7 → Item 6 (19100-01010) ... Interchangeable

FIG. 17 ENGINE CONTROL



Qty	PARTS NUMBER	DESCRIPTION	Qty	REMARKS	Qty	PARTS NUMBER	DESCRIPTION	Qty	REMARKS
0-1	01641-90100	CONTROL ASSY. Engine	1		24	12100-00225	*PIN, Split	1	
1	01641-08100	*BODY	1		25	11100-50515	*BOLT, Socket	1	
2	01641-08200	*DRUM	1		26	01641-06100	*BRACKET	1	
3	01641-08300	*DISK	1		27	01641-06200	*LEVER	2	
4	01641-08400	*PIN	1		28	01641-06300	*LINK	1	
5	00030-20005	*COLLAR	1		29	01641-06700	*LINK	1	
6	01641-08600	*LEVER	1		30	00041-10018	*PIN	2	
7	00070-00001	*SPRING	4		31	00041-06017	*PIN	2	
8	12200-00020	*RING, Snap	1		32	12100-00220	*PIN, Split	6	
9	11210-50610	*SET. Screw	1		33	11411-10010	*WASHER, Plain	4	
10	11210-50506	*SET. Screw	1		34	11411-10006	*WASHER, Plain	2	
11	16500-03508	*GRIP	1		35	11000-41035	*BOLT	2	
12	11300-40006	*NUT	1		36	11411-20010	*WASHER, Spring	2	
13	11400-20006	*WASHER, Spring	1		37	00079-00002	*BOLT	1	
14	00079-00002	*BOLT	1		38	11300-50012	NUT	1	
15	11300-50012	*NUT	1						
16	01641-09200	CABLE, Control	1						
17	11000-40612	BOLT	3						
18	11400-20006	WASHER, Spring	3						
0-2	01641-90002	LINK ASSY. Accel.	1						
19	00059-00001	*YOKE	1						
20	00049-00001	*PIN	1						
21	00041-06022	*PIN	1						
22	12200-00012	*RING, Snap	2						
23	11411-00006	*WASHER, Plain	1						

FIG. 18 ELECTRICALS



Item	PARTS NUMBER	DESCRIPTION	Qty	REMARKS
1	01942-90000	HARNES. Wiring	1	DIS 42-00100
0-1	17030-04500	LAMP ASSY	1	
2	17030-04501	*LAMP	1	
3	17030-04503	**LENS	1	
4	17030-15981	**BULB	1	
5	17030-04502	*HARNES. Light	1	
6	01442-65600	WIRE	1	
7	00070-00003	SPRING	3	
8	17035-00112	HORN	1	
9	11000-30812	BOLT	1	
10	11400-20008	WASHER. Spring	1	
11	01544-20100	COVER	1	
12	01774-10200	HOLDER	1	
13	01544-20500	HOLDER	1	
14	17021-06220	BOLT. Hook	2	
15	01544-20400	RUBBER	1	
16	17020-00110	BATTERY	1	
17	17023-08513	TERMINAL	1	
18	17022-30340	CABLE. Earth	1	
19	17025-30050	CABLE. Battery	1	
20	17025-30060	CABLE. Battery	1	
21	16550-02500	LOCK	1	
22	11000-40815	BOLT	5	
23	11400-20008	WASHER. Spring	5	
24	17029-20060	CAP	1	#330 -

UPPER MACHINE 3

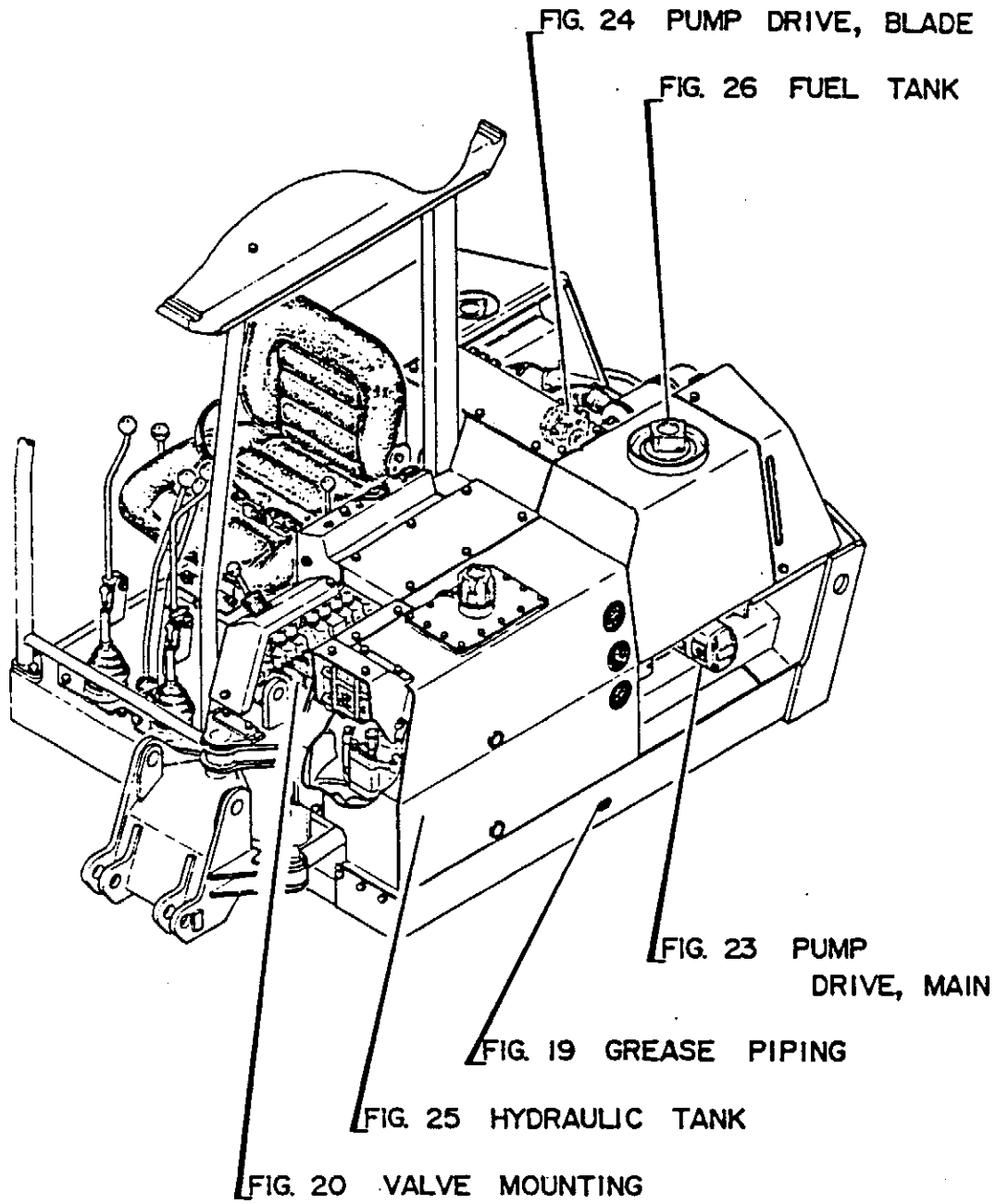
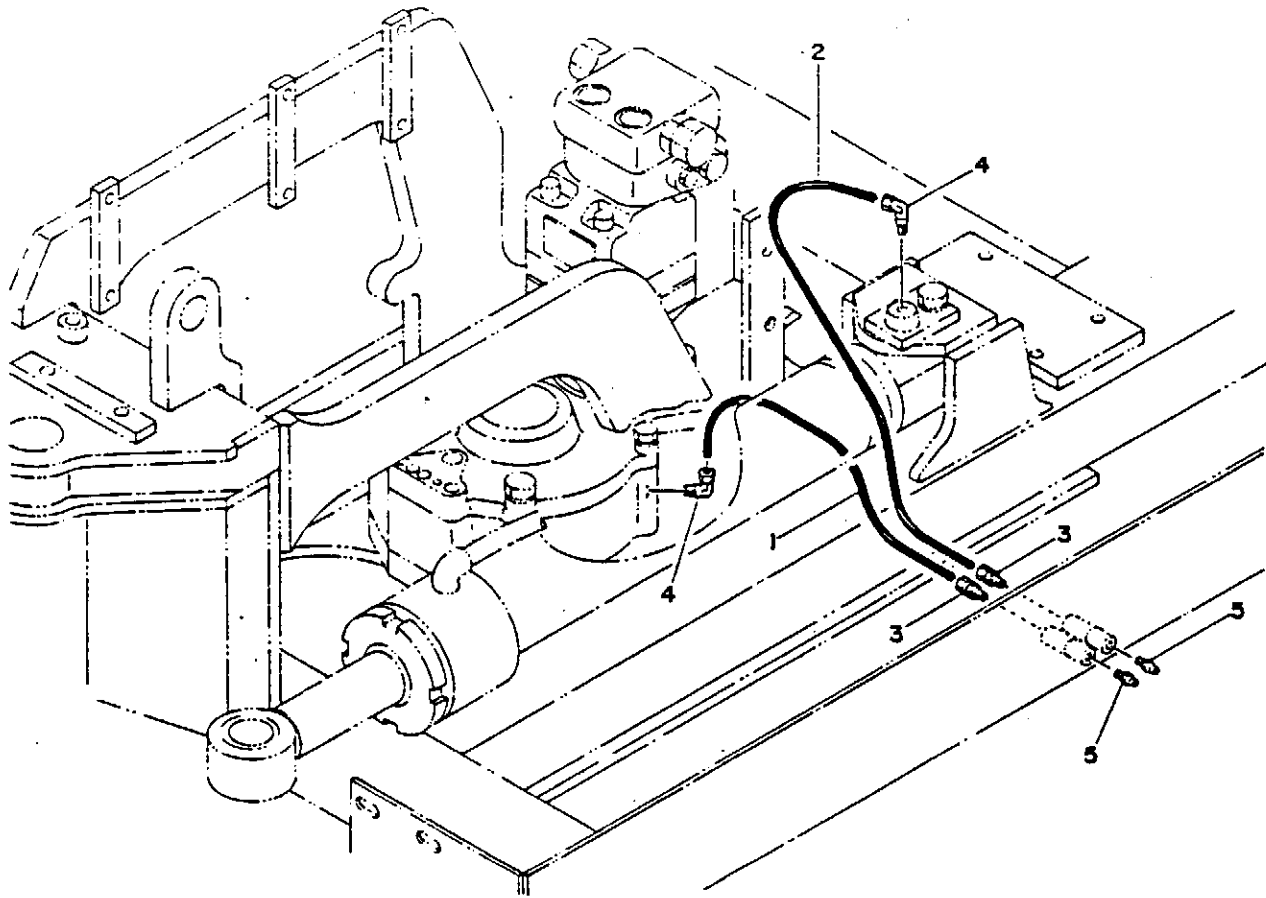


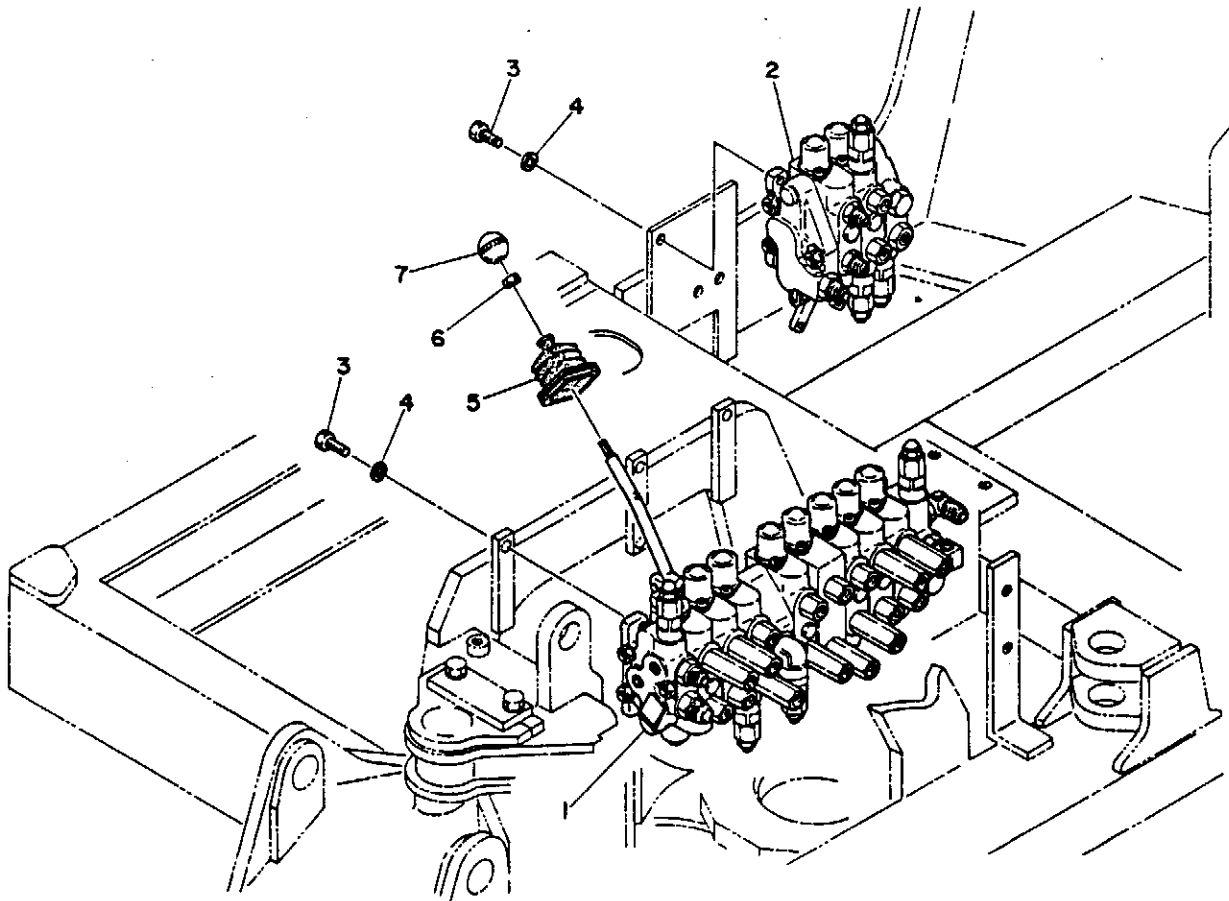
FIG. 19 GREASE PIPING



Qty	PARTS NUMBER	DESCRIPTION	Qty	REMARKS
1	15320-20600	TUBE	1	
1	15320-20600	TUBE	1	
2	15325-20601	CONNECTOR	2	
2	15326-20601	ELBOW, 30°	2	
2	15600-01000	NIPPLE, Grease	2	

FIG. 20

VALVE MOUNTING

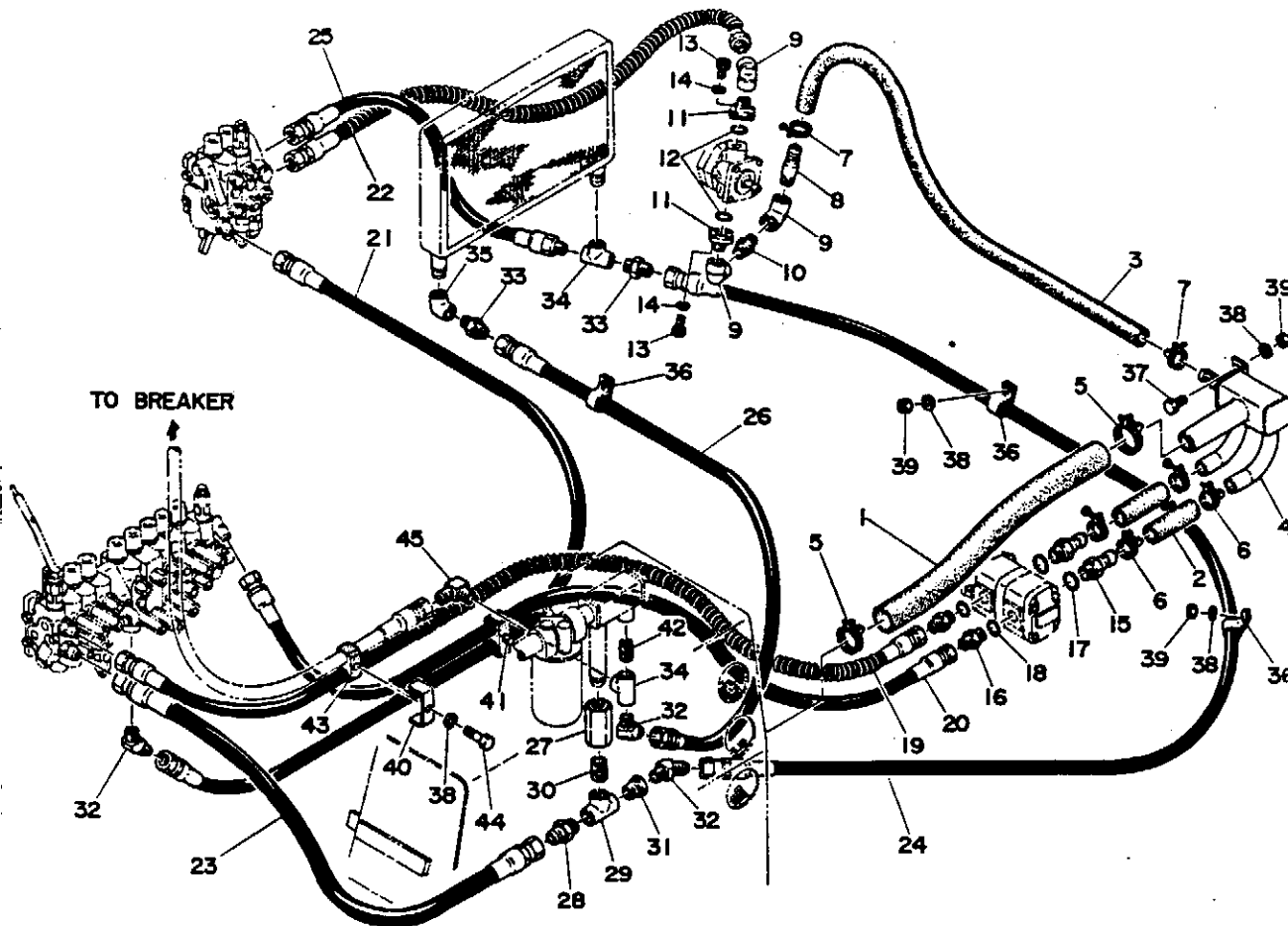


Item	PARTS NUMBER	DESCRIPTION	Qty	REMARKS
1	19010-02200	VALVE, Main Control	1	
2	19010-05500	VALVE, Sub Control	1	
3	11000-51025	BOLT	6	
4	11400-10010	WASHER, Spring	6	
5	01632-09900	BOOT	1	
6	11300-40008	NUT	1	
7	16500-03508	GRIP	1	

NOTE

For France#253 ~
 For U.S.A #382 ~

FIG. 21 PIPING, UPPER 1

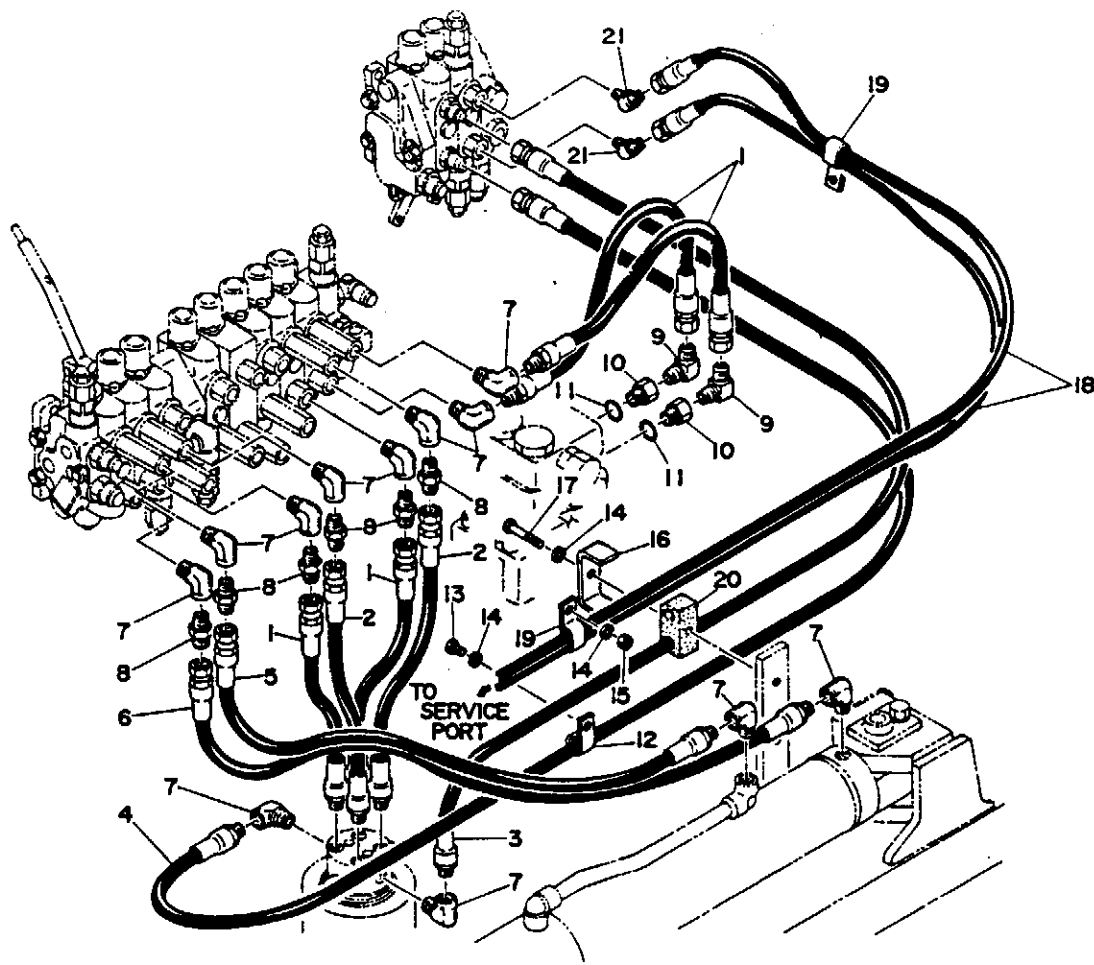


Item	PARTS NUMBER	DESCRIPTION	Qty	REMARKS	Item	PARTS NUMBER	DESCRIPTION	Qty	REMARKS
1	15305-41060	HOSE	1		26	19061-12085	HOSE ASSY	1	
2	15305-26012	HOSE	2		27	15401-01520	VALVE	1	
3	15305-20070	HOSE	1		28	15110-00006	ADAPTOR	1	
4	01370-10100	MANIFOLD. Inlet	1		29	15082-00006	TEE	1	
5	15330-01055	CLAMP	2		30	15130-00006	NIPPLE	1	
6	15330-01038	CLAMP	4		31	15016-00604	ADAPTOR	1	
7	15330-01032	CLAMP	2		32	15112-00004	ELBOW. 45°	4	
8	00099-00004	NIPPLE	1		33	15110-00004	ADAPTOR	2	
9	15010-00004	ELBOW. 90°	3		34	15082-00004	TEE	2	
10	15015-00004	CONNECTOR	1		35	15080-00004	ELBOW. 90°	1	
11	15336-10006	JOIN	2		36	00073-00001	CLAMP	3	
12	14200-10200	O-RING	2		37	11000-40820	BOLT	2	
13	11100-50620	BOLT. Socket	8		38	11400-20008	WASHER. Spring	6	
14	11400-10006	WASHER. Spring	8		39	11300-40008	NUT	4	
15	00072-00026	ADAPTOR	2		40	01471-00200	CLAMP	3	
16	00072-00027	ADAPTOR	2		41	11000-50845	BOLT	2	
17	14203-10912	O-RING	2		42	15130-00004	NIPPLE	1	
18	14203-10910	O-RING	2		43	01471-00100	GUARD	2	
19	19086-12135	HOSE ASSY	1		44	11000-50850	BOLT	1	
20	19072-12100	HOSE ASSY	1						
21	19072-12135	HOSE ASSY	1						
22	19071-12090	HOSE ASSY	1						
23	19061-19075	HOSE ASSY	1						
24	19061-12170	HOSE ASSY	1						
25	19060-12045	HOSE ASSY	1						

NOTE For France#253 ~, For U.S.A #382 ~.

NOTE For France#253 ~, For U.S.A #382 ~.

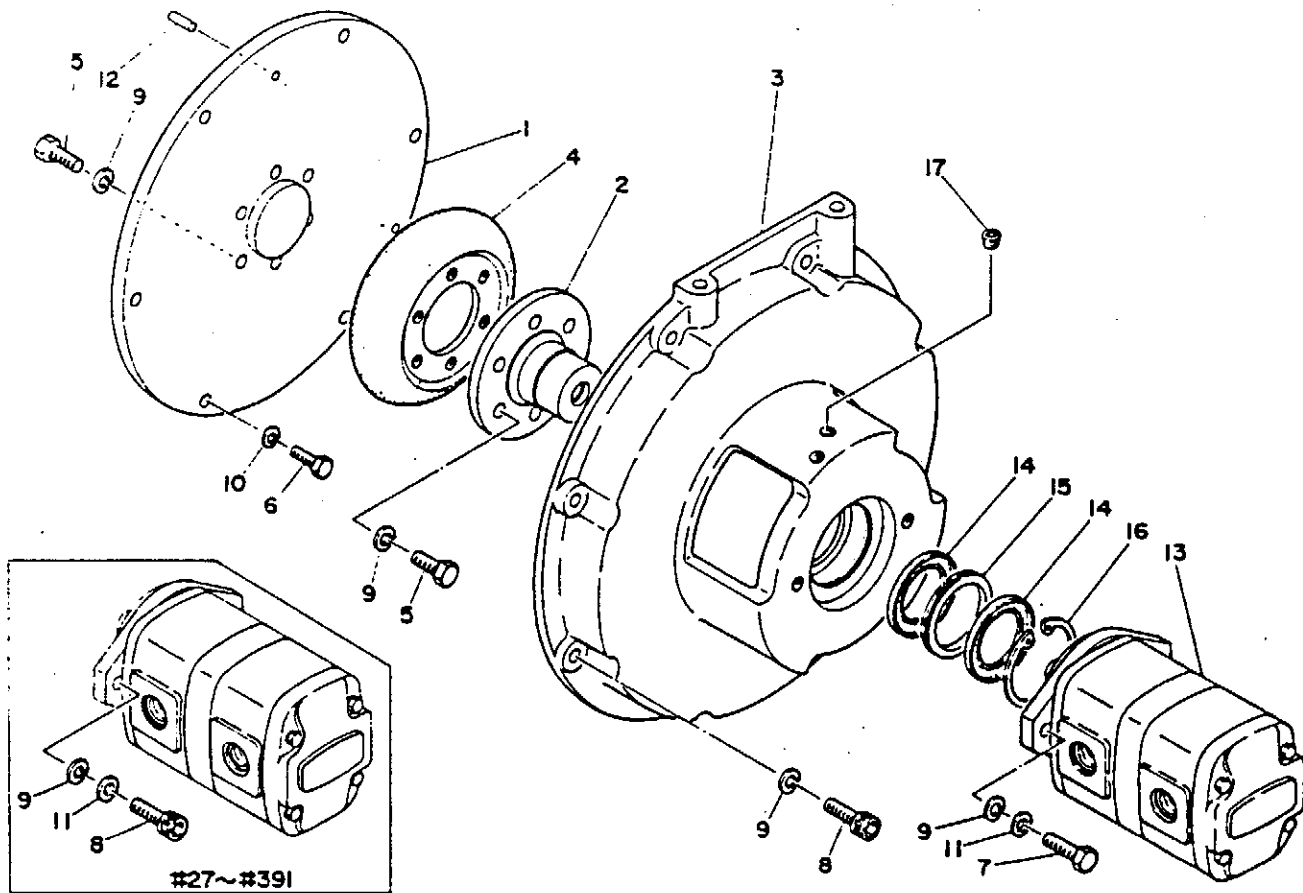
FIG. 22 PIPING, UPPER 2



QTY	PARTS NUMBER	DESCRIPTION	QTY	REMARKS
	1	19080-09040 HOSE ASSY	4	
	2	19080-09045 HOSE ASSY	2	
	3	19080-09140 HOSE ASSY	1	
	4	19080-09170 HOSE ASSY	1	
	5	19080-09060 HOSE ASSY	1	
	6	19080-09075 HOSE ASSY	1	
	7	15013-00003 ELBOW, 90°	12	
	8	15110-00003 ADAPTOR	6	
	9	15111-00003 ELBOW, 90°	2	
	10	00072-00005 ADAPTOR	2	
	11	14203-10908 O-RING	2	
	12	01370-00800 CLAMP	1	
	13	11000-40815 BOLT	1	
	14	11400-20008 WASHER, Spring	3	
	15	11300-40008 NUT	1	
	16	01471-00200 CLAMP	1	
	17	11000-50845 BOLT	1	
	18	19082-06280 HOSE ASSY	2	
	19	00073-00006 CLAMP	2	
	20	01570-20100 GUARD	1	
	21	15112-00002 ELBOW, 45°	2	

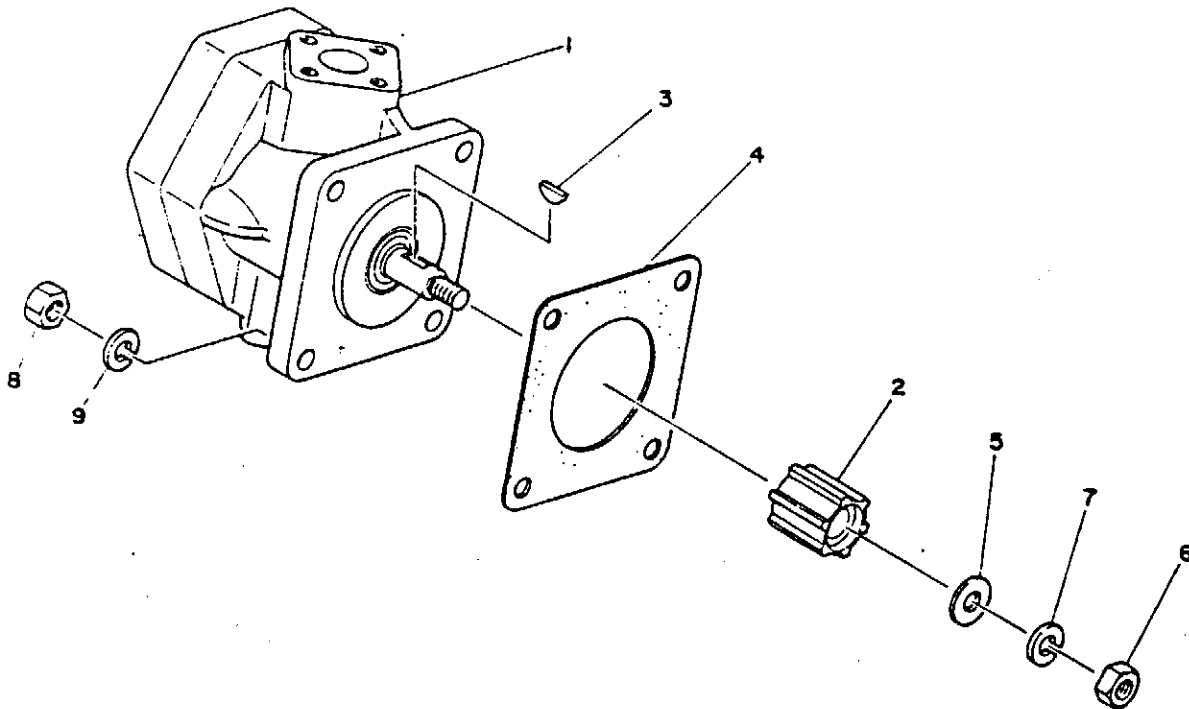
NOTE

FIG. 23 PUMP DRIVE, MAIN



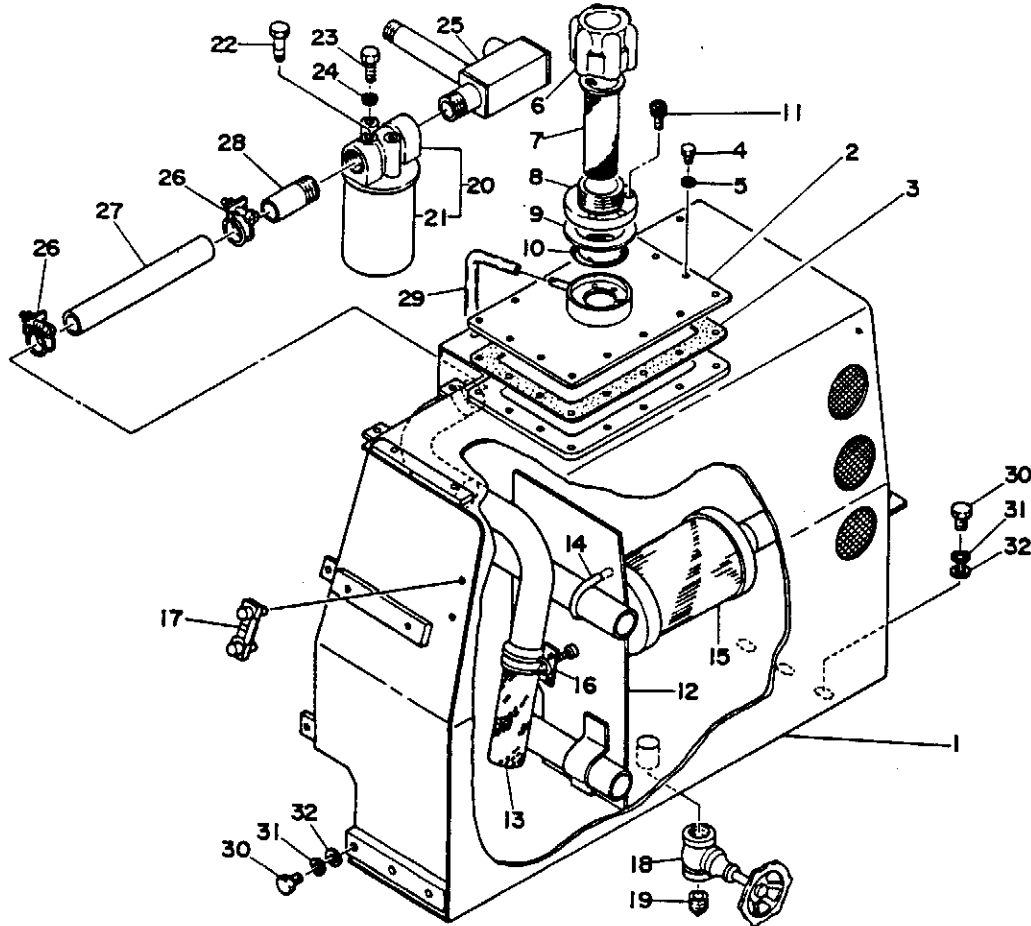
Qty	PARTS NUMBER	DESCRIPTION	REMARKS
1	01952-00100	FLANGE	
1	01352-10200	FLANGE	
1	01952-00300	HOUSING, Engine	
1	16030-01140	COUPLING	
12	11000-41025	BOLT	
6	11000-40825	BOLT	
2	11030-41030	BOLT	#32 ~
10	11100-41030	BOLT, Socket	#27~#31
8	11100-41030	BOLT, Socket	#32 ~
2	11400-20010	WASHER, Spring	
6	11400-20008	WASHER, Spring	
2	11411-10010	WASHER, Plain	
2	12120-00620	PIN, Dowel	
1	19020-01100	PUMP ASSY, Main	
2	14004-02382	SEAL, Oil	
1	01352-10500	COLLAR	
1	12210-00062	RING, Snap	
2	15018-20001	PLUG	

FIG. 24 PUMP DRIVE, BLADE



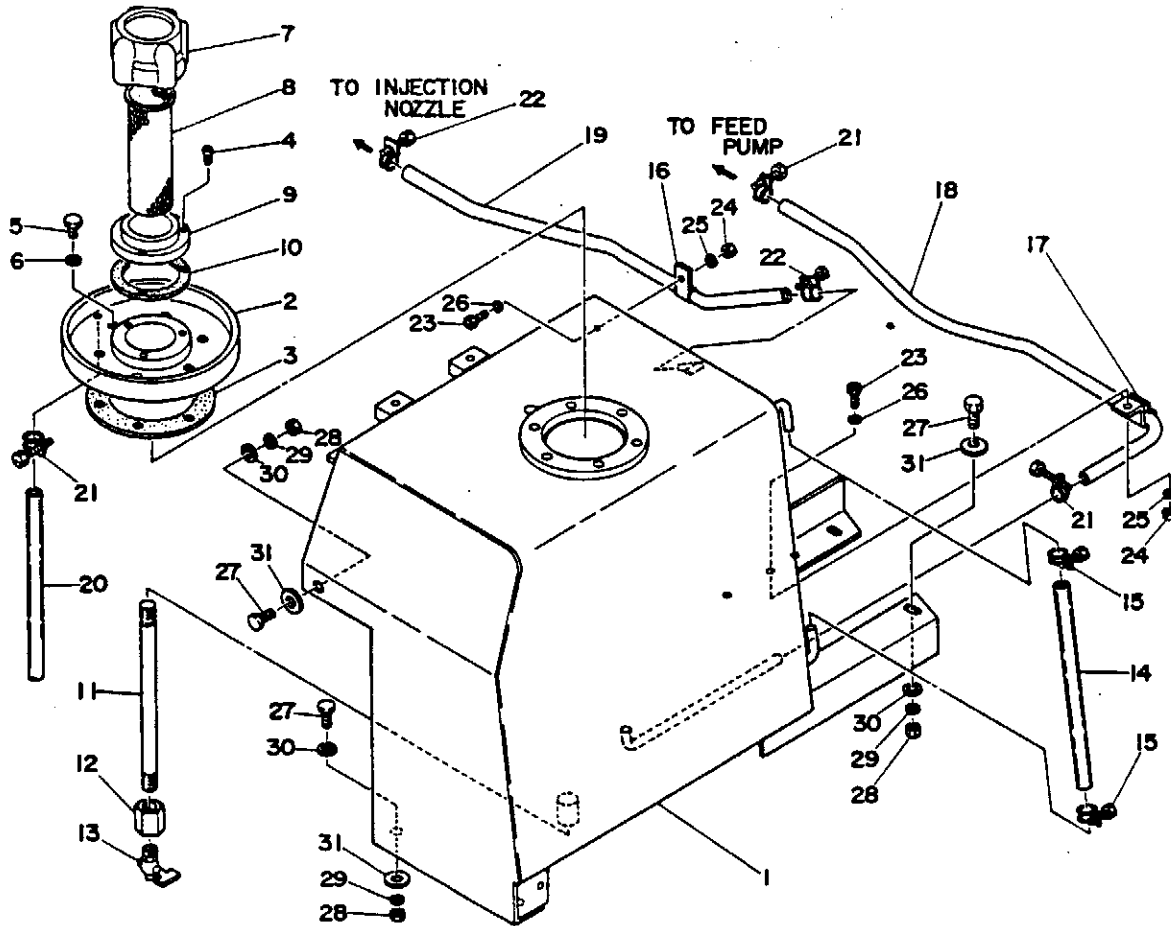
Qty	PARTS NUMBER	DESCRIPTION	REMARKS
1	19020-01600	PUMP ASSY, Sub	
1	01953-10100	SLEEVE	
1	12030-40313	KEY	
1	19100-01025	GASKET	
1	11411-00008	WASHER, Plain	
1	11300-50008	NUT	
1	11400-10008	WASHER, Spring	
4	11300-40008	NUT	
4	11400-20008	WASHER, Spring	

FIG. 25 HYDRAULIC TANK



Item	PARTS NUMBER	DESCRIPTION	Qty	REMARKS	Item	PARTS NUMBER	DESCRIPTION	Qty	REMARKS
0-1	01380-90000	TANK ASSY. Hyd.	1		23	11000-51035	BOLT	2	
1	01380-10100	*TANK. Hyd.	1		24	11400-20010	WASHER. Spring	2	
2	01380-10200	*COVER	1		25	01580-20600	MANIFOLD	1	
3	01680-05200	*PACKING	1		26	15330-01045	CLAMP	2	
4	11000-50814	*BOLT	14		27	15305-33026	HOSE	1	
5	11400-20008	*WASHER. Spring	14		28	00090-10080	NIPPLE	1	
0-2	15520-10301	*BREATHER ASSY. Air	1		29	15311-10000	HOSE	1	
6	15520-01301	**CAP	1		30	11000-51020	BOLT	6	
7	15520-02301	**STRAINER	1		31	11400-10010	WASHER. Spring	6	
8	15520-13301	**FLANGE	1		32	00036-12004	WASHER	6	
9	15520-14301	**PACKING	1						
10	14204-02045	*O-RING	1						
11	11100-50510	*BOLT. Socket	4						
12	01380-10300	*PLATE. Baffle	1						
13	01680-05600	*DIFFUSER	1						
14	15332-00010	*U-BOLT ASSY	1						
15	15500-00012	*FILTER	1						
16	15530-01038	*CLAMP	1						
17	15530-10050	*GAUGE	1	Old Type					
	15530-20650	*GAUGE	1	New Type					
18	15200-00010	*VALVE	1						
19	15087-00010	*PLUG	1						
20	15510-45110	FILTER ASSY	1						
21	15510-35110	*CARTRIDGE	1						
22	01380-10700	*PLUG	1						

FIG. 26-1 FUEL TANK

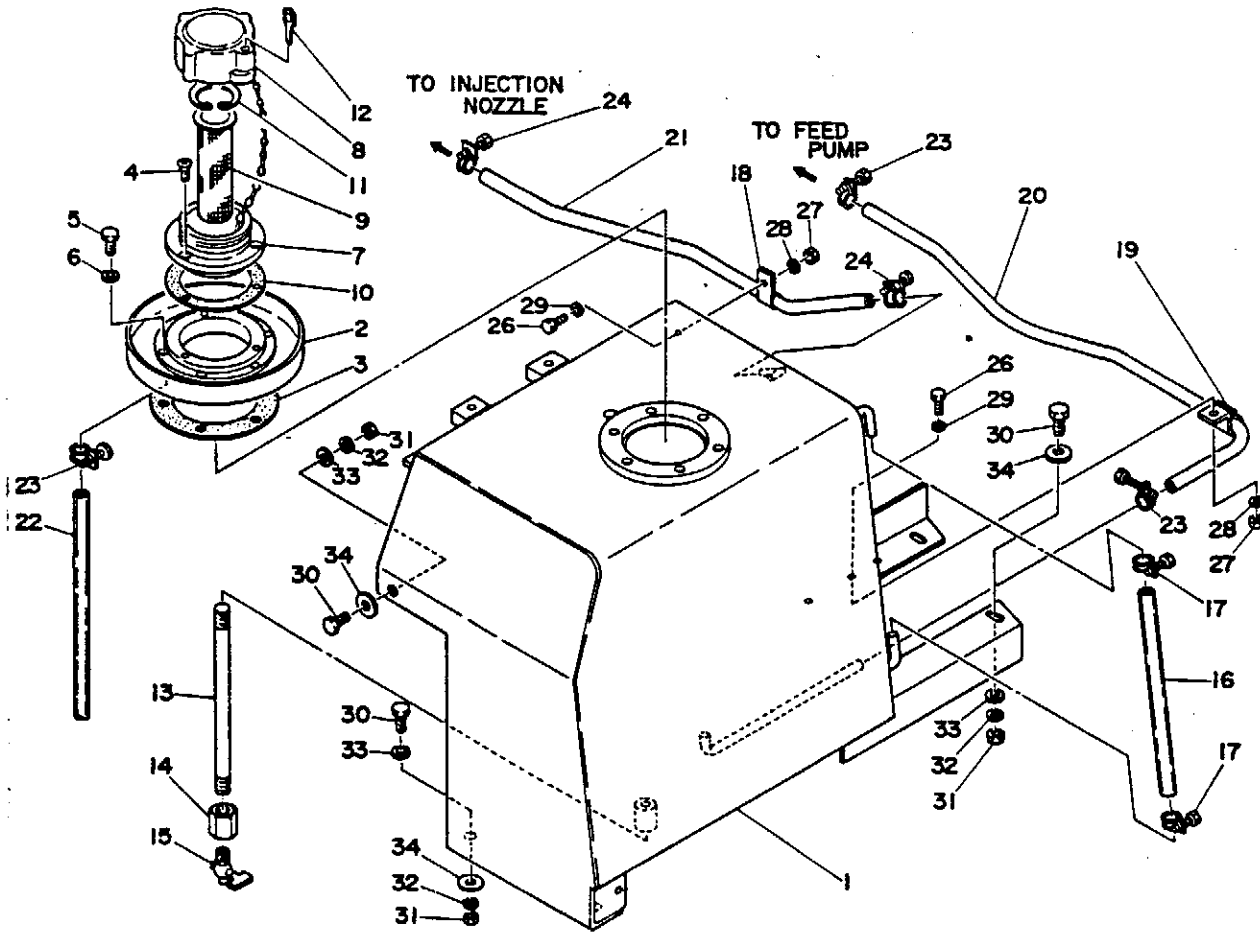


Item	PARTS NUMBER	DESCRIPTION	Q'ty	REMARKS	Item	PARTS NUMBER	DESCRIPTION	Q'ty	REMARKS
01	01381-90000	TANK ASSY. Fuel	1		24	11300-30006	NUT	2	
1	01381-10100	*TANK, Fuel	1		25	11400-20006	WASHER, Spring	2	
2	01381-00200	*COVER	1		26	11411-10006	WASHER, Plain	2	
3	01681-06300	*PACKING	1		27	11000-41025	BOLT	5	
4	11100-40612	*BOLT, Socket	3		28	11300-40010	NUT	5	
5	11000-30816	*BOLT	6		29	11400-20010	WASHER, Plain	5	
6	11400-20008	*WASHER, Spring	6		30	11411-10010	WASHER, Plain	5	
02	15520-00501	*BREATHER ASSY. Air	1		31	00036-00006	WASHER	5	
7	15520-01501	**CAP	1						
8	15520-02501	**STRAINER	1						
9	15520-03501	**FLANGE	1						
10	15520-04501	**PACKING	1						
11	00091-03250	*NIPPLE	1						
12	15014-00003	*ADAPTOR	1						
13	15520-00003	*COCK	1						
14	15310-10050	*HOSE	1						
15	15330-01015	*CLAMP	2						
16	00073-00005	CLAMP	1						
17	00073-00007	CLAMP	1						
18	15312-08060	HOSE	1						
19	15312-04085	HOSE	1						
20	15310-10050	HOSE	1						
21	15330-01015	CLAMP	3						
22	15330-01008	CLAMP	2						
23	11000-30620	BOLT	2						

NOTE

#27-#36

FIG. 26-2 FUEL TANK



Item	PARTS NUMBER	DESCRIPTION	Qty	REMARKS	Item	PARTS NUMBER	DESCRIPTION	Qty	REMARKS
0-1	01581-90000	TANK ASSY. Fuel	1		24	15330-01008	CLAMP	2	
1	01381-10100	*TANK. Fuel	1		25	11000-30620	BOLT	2	
2	02581-00200	*COVER	1		26	11300-30006	NUT	2	
3	01681-06300	*PACKING	1		27	11400-20006	WASHER. Spring	2	
4	11201-30612	*SCREW. Flat Head	3		28	11411-10006	WASHER. Plain	2	
5	11000-30816	*BOLT	6		29	11000-41025	BOLT	5	
6	11400-20008	*WASHER. Spring	6		30	11300-40010	NUT	5	
0-2	15521-20000	*BREATHER ASSY. Air	1		31	11400-20010	WASHER. Spring	5	
7	15521-20001	**FLANGE	1		32	11411-10010	WASHER. Plain	5	
8	15521-20002	**CAP	1		33	00036-00006	WASHER	5	
9	15521-20003	**STRAINER	1		NOTE				
10	15521-20007	**PACKING	1		#357 -				
11	15521-20008	**RING. Saap	1						
12	15521-20012	**KEY	1						
13	00091-03250	*NIPPLE	1						
14	15014-00003	*ADAPTOR	1						
15	15520-00003	*COCK	1						
16	15310-10050	*HOSE	1						
17	15330-01015	*CLAMP	2						
18	00073-00005	CLAMP	1						
19	00073-00007	CLAMP	1						
20	15312-08060	HOSE	1						
21	15312-04085	HOSE	1						
22	15310-10050	HOSE	1						
23	15330-01015	CLAMP	3						

NOTE #357 ~

Rev. ①

Rev. ①

UPPER MACHINE . 4

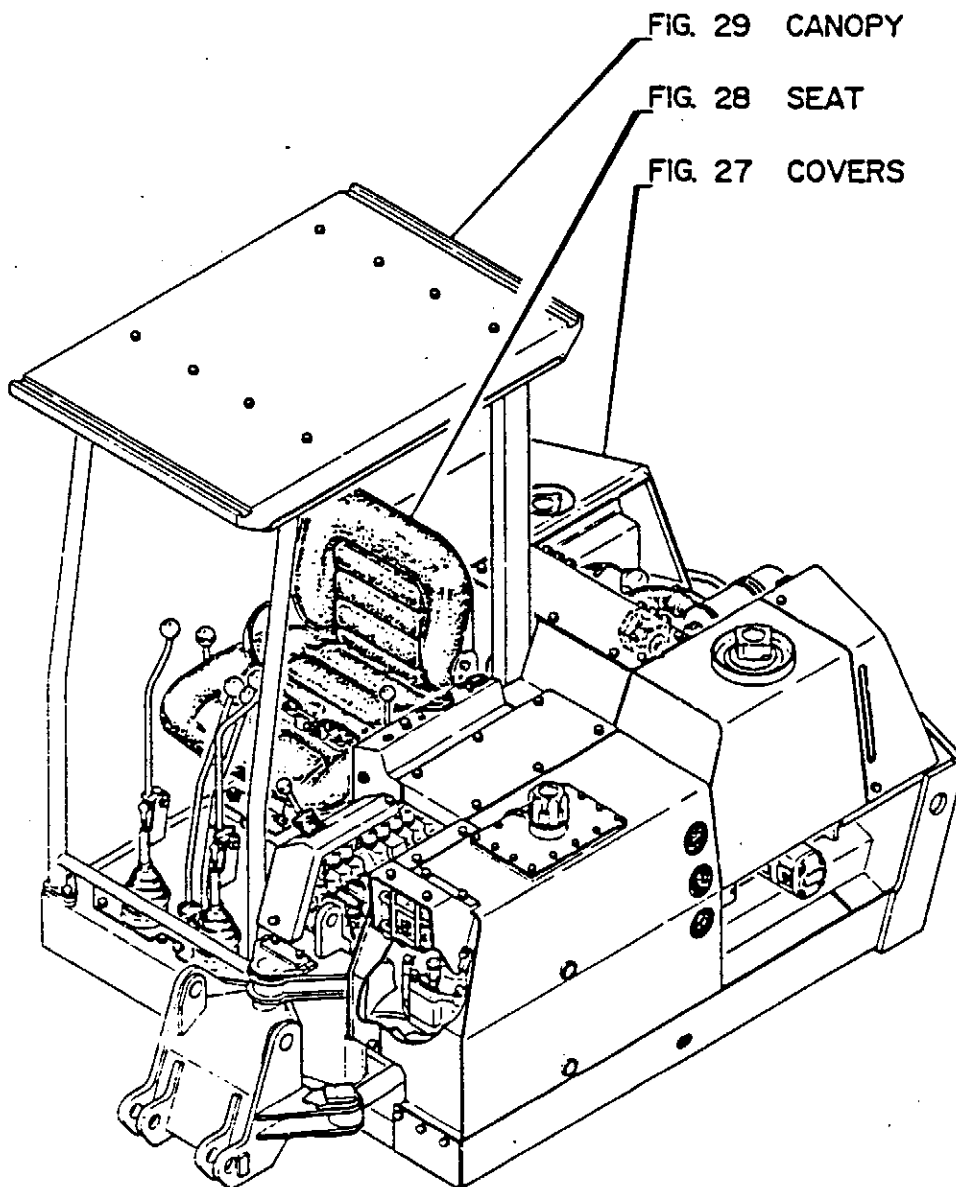
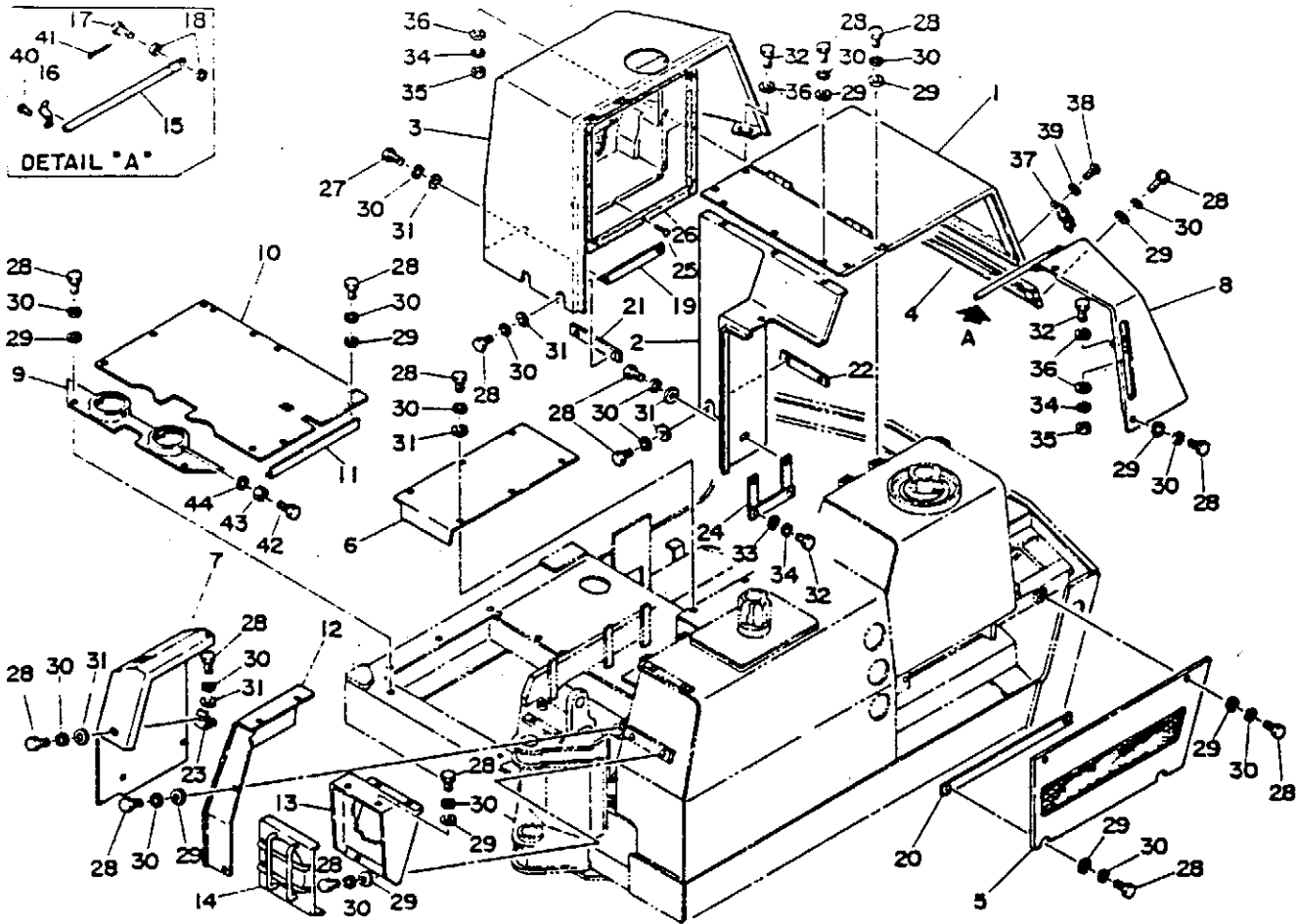


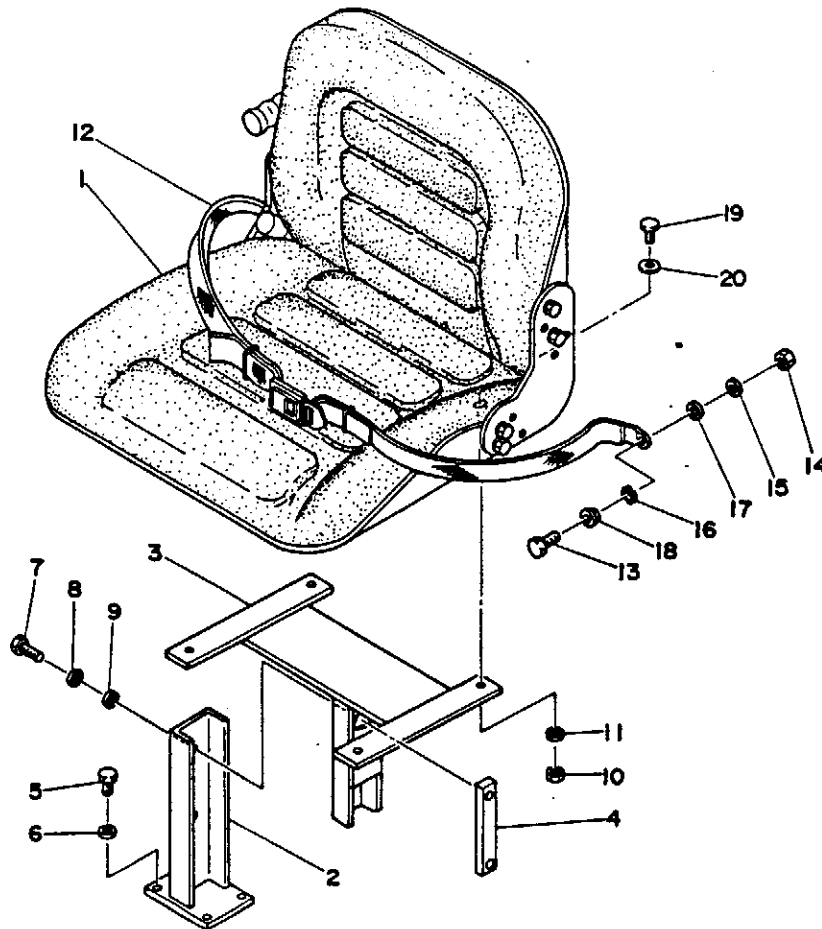
FIG. 27 COVERS



1	PARTS NUMBER	DESCRIPTION	Qty	REMARKS	1	PARTS NUMBER	DESCRIPTION	Qty	REMARKS
1	01582-20100	COVER, Engine	1		35	16543-06000	SPONGE	1	
2	01382-10200	COVER, Engine (F)	1		37	11000-30830	BOLT	2	
3	01582-20300	COVER, Rear Side	1		38	11000-30820	BOLT	53	
4	01382-00400	GUIDE, Cover	1		39	11411-10010	WASHER, Plain	35	
5	01582-10500	PLATE, Side	1		30	11400-20008	WASHER, Spring	35	
6	01382-10600	COVER, Center	1		31	00036-08003	WASHER	19	
7	01382-10700	COVER, Valve	1		32	11300-41030	BOLT	4	
8	01582-20800	COVER, Rear Side	1		33	11411-20010	WASHER, Plain	2	
9	01582-21000	PLATE, Stage	1		34	11400-10010	WASHER, Spring	4	
10	01382-01100	PLATE, Stage	1		35	11300-40010	NUT	2	
11	01582-21200	ANGLE	1		36	00036-00020	WASHER	4	
12	01382-11300	COVER, Tank	1		37	16533-00700	CLIP	2	
13	01382-11400	COVER, Light	1		38	11205-30510	SCREW, Pan Head	10	
14	01382-11500	PROTECTOR, Light	1		39	11400-20005	WASHER, Spring	10	
15	01382-11600	ROD	1		40	11205-30305	SCREW, Pan Head	2	
16	00070-00037	CATCH	1		41	12100-00220	PIN, Split	1	
17	00041-00024	PIN	1		42	11002-51040	BOLT	4	
18	00073-00005	WASHER, Rubber	2		43	11300-50010	NUT	4	
19	01382-02000	PLATE	1		44	11400-10010	WASHER, Spring	4	
20	01382-12100	PLATE	1						
21	01382-02200	PLATE	1						
22	01382-02300	PLATE	1						
23	01382-12400	BRACKET	1						
24	01382-02500	BRACKET	1						
25	11223-30300	RIVET	10						

FIG. 28

SEAT

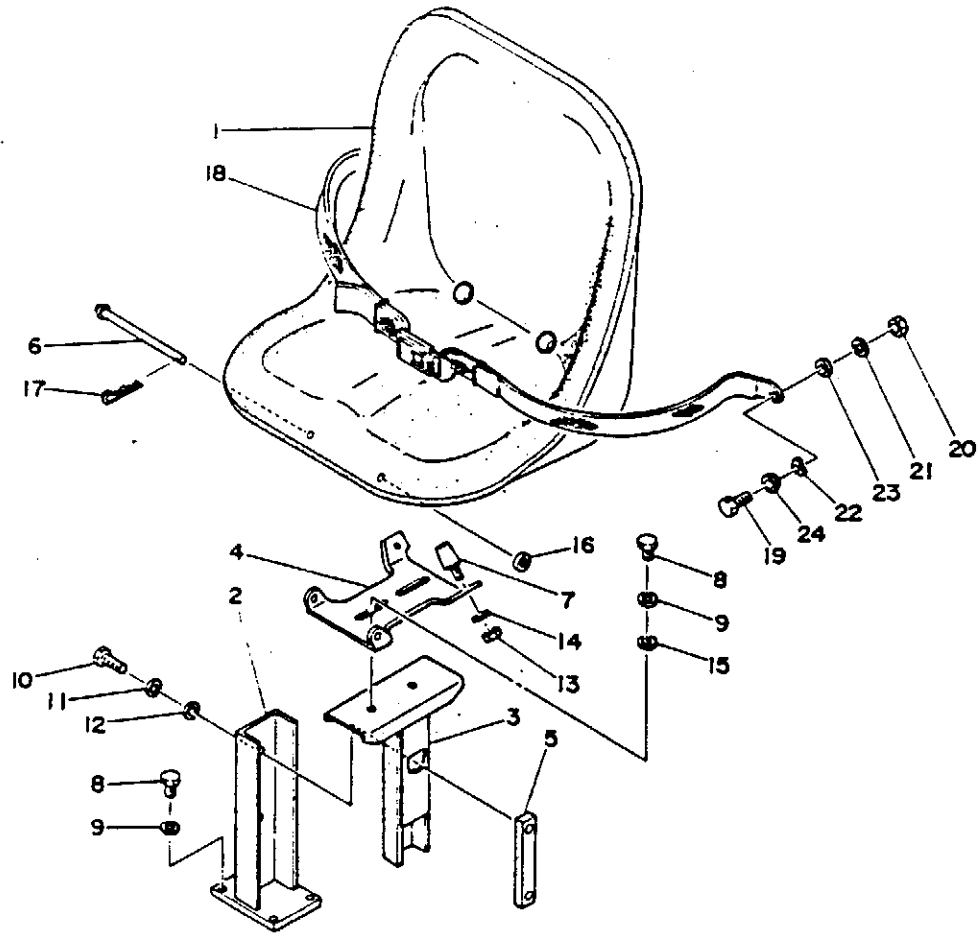


1	PARTS NUMBER	DESCRIPTION	Qty	REMARKS
1	19141-00010	SEAT	1	
2	01534-20200	STAND	1	
3	01534-25200	BRACKET	1	
4	01534-20500	PLATE	1	
5	11000-51020	BOLT	4	
6	11400-10010	WASHER, Spring	4	
7	11000-51230	BOLT	2	
8	11400-10012	WASHER, Spring	2	
9	11415-40012	WASHER	2	
10	11300-30008	NUT	4	
11	11400-20008	WASHER, Spring	4	
12	19141-00003	BELT ASSY, Seat	1	
13	11000-41030	*BOLT	2	
14	11300-40010	*NUT	2	
15	11400-20010	*WASHER, Spring	2	
16	12250-00010	*WASHER	2	
17	00036-00020	*WASHER	2	
18	*****	*SLEEVE	2	
19	11000-30820	*BOLT	4	
20	11411-10008	*WASHER, Plain	4	

NOTE

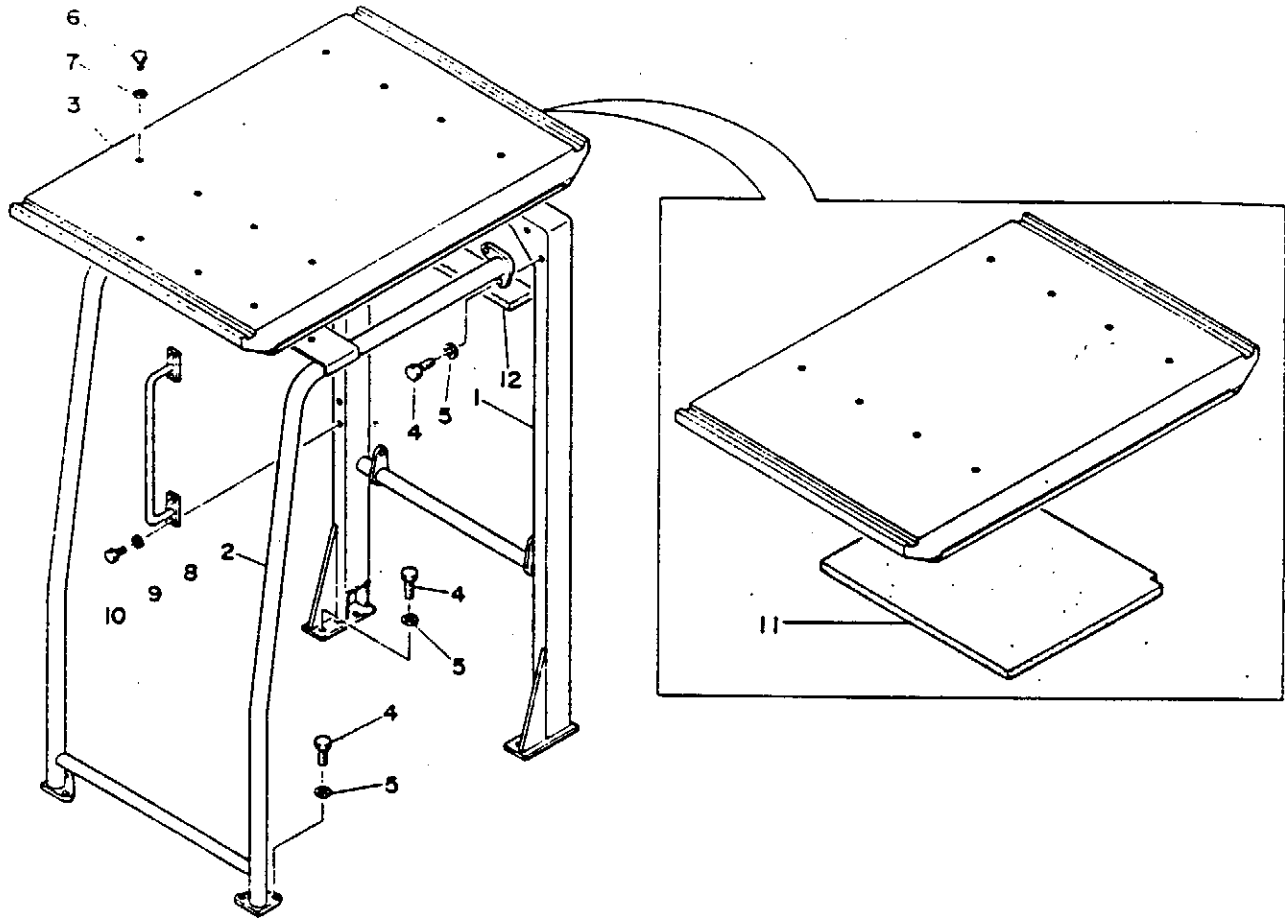
For France:32 ~

FIG. 28-1 SEAT



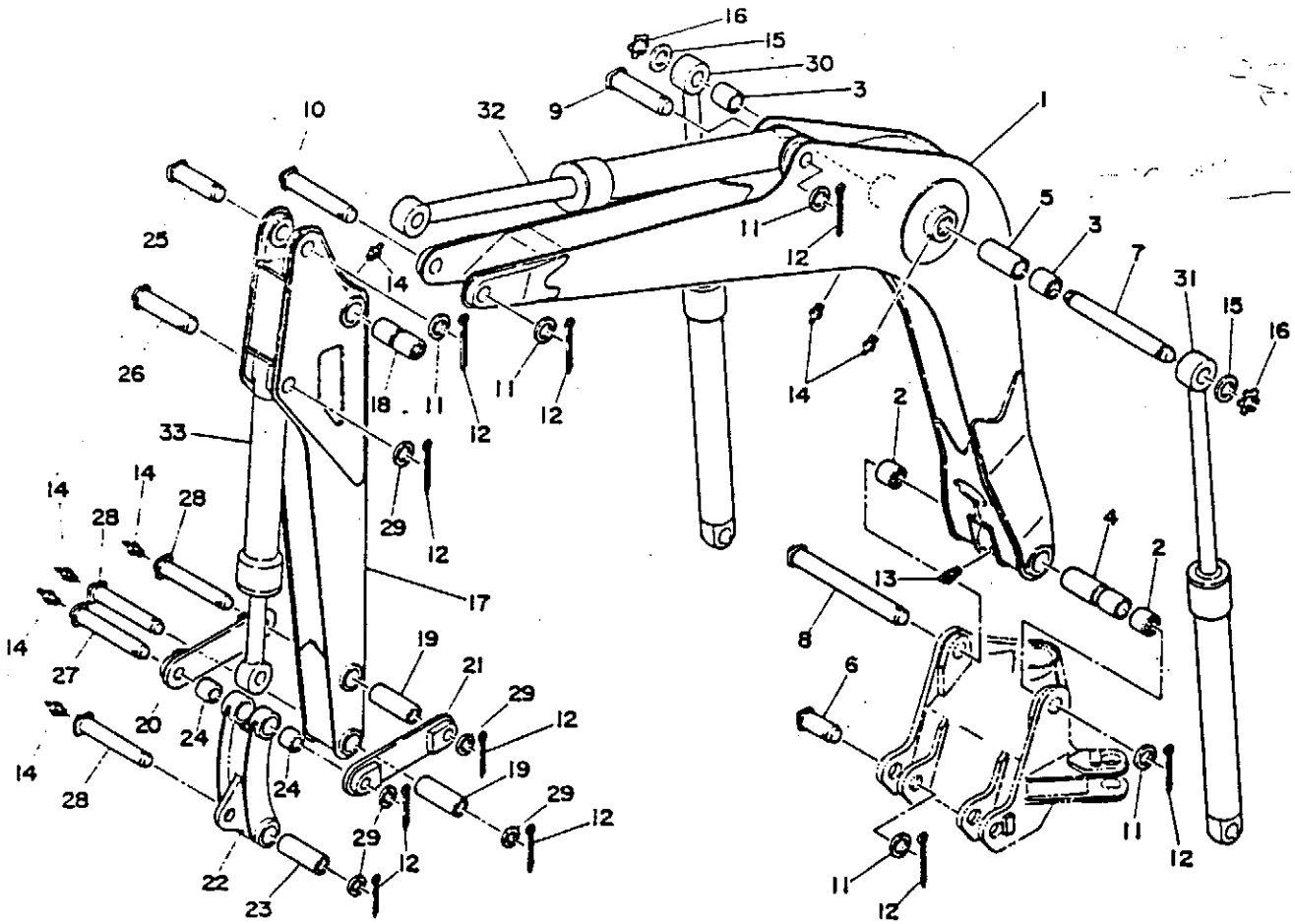
Qty	PARTS NUMBER	DESCRIPTION	Qty	REMARKS
1	19141-00011	SEAT	1	
1	01534-20200	STAND	1	
1	01534-20300	BRACKET	1	
1	01534-20400	PLATE	1	
1	01534-20500	PLATE	1	
1	01334-00500	PIN	1	
2	16510-51002	STOPPER	2	
5	11000-51000	BOLT	5	
5	11400-10010	WASHER, Spring	5	
2	11000-51230	BOLT	2	
2	11400-10012	WASHER, Spring	2	
2	11415-40012	WASHER	2	
2	11300-30008	NUT	2	
2	11400-20008	WASHER, Spring	2	
2	11415-40010	WASHER	2	
1	11411-10010	WASHER, Plain	1	
1	12140-00010	PIN, Snap	1	
1	19141-00003	BELT ASSY, Seat	1	
2	11000-41000	*BOLT	2	
2	11300-40010	*NUT	2	
2	11400-20010	*WASHER, Spring	2	
2	12250-00010	*WASHER	2	
2	09036-00020	*WASHER	2	
2	*****	*SLEEVE	2	

FIG. 29 CANOPY



Qty	PARTS NUMBER	DESCRIPTION	Qty	REMARKS
1	01584-20100	GUARD, Main	1	
2	01584-20200	GUARD, Front	1	
3	01584-20300	CANOPY	1	
4	11000-41230	BOLT	14	
5	11400-20012	WASHER, Spring	14	
6	11000-40813	BOLT	3	
7	14321 08151	WASHER	3	
8	01584 20400	HANDHOLD	1	SC10 ~
9	11400 20008	WASHER, Spring	4	SC10 ~
10	11000 40820	BOLT	4	SC10 ~
11	01584-20501	SPONGE	1	SC10 ~
12	01584-20502	SPONGE	1	SC10 ~

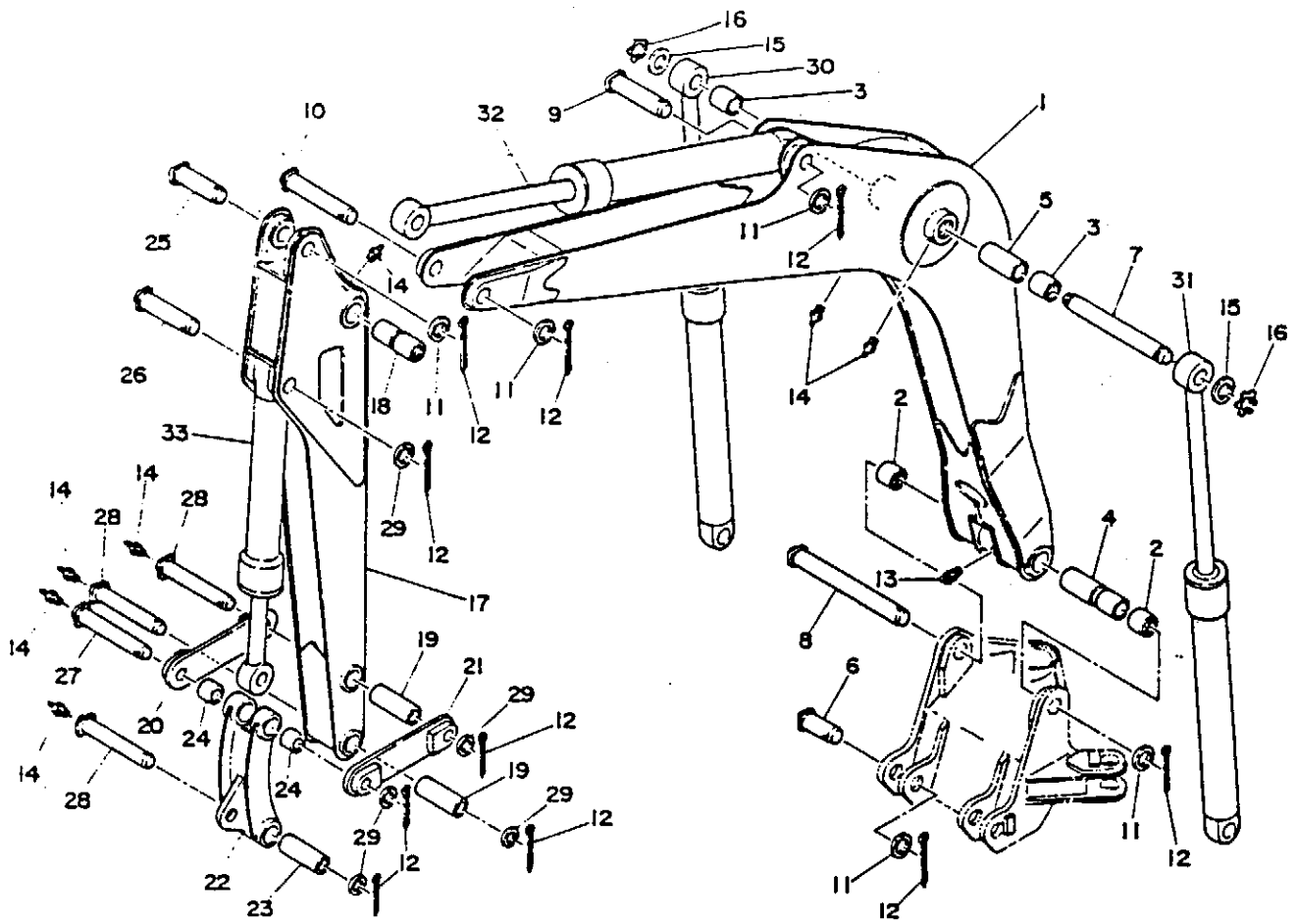
FIG. 30 HOE



QTY	PARTS NUMBER	DESCRIPTION	REMARKS
1	01560-90000	BOOM ASSY	
1	01560-10100	*BOOM	
2	00024-40040	*BUSHING	
2	30022-00004	*BUSHING	
1	00035-00003	*COLLAR	
1	30030-30034	*COLLAR	
2	00010-60003	PIN	
1	30013-00017	PIN	
1	00010-00004	PIN	
1	30010-40161	PIN	
1	00010-40203	PIN	
1	00030-40000	COLLAR	
1	00030-40001	COLLAR	
1	00030-40002	COLLAR	
1	00030-40003	COLLAR	
1	00030-40004	COLLAR	
1	00030-40005	COLLAR	
11	12100-00360	PIN, Split	
1	15600-01000	NIPPLE, Grease	
1	15600-01000	NIPPLE, Grease	
2	00036-41603	WASHER	
2	12220-16040	SEWER RING	
1	31561-90000	ARM ASSY	
1	01561-10100	*ARM	
1	30023-40124	*BUSHING	

QTY	PARTS NUMBER	DESCRIPTION	REMARKS
2	00021-00003	*BUSHING	
1	01361-00200	PLATE (RH)	
1	01361-00300	PLATE (LH)	
1	01661-30001	LINK ASSY, Arm	
1	01561-90001	LINK ASSY, Arm	
1	01561-00400	*LINK, Arm	
1	01561-00400	*LINK, Arm	
1	00021-00003	*BUSHING	
2	00021-00001	*BUSHING	
1	00010-00001	PIN	
1	00010-35135	PIN	
1	00019-00010	PIN	
3	00013-35206	PIN	
1	00030-35000	COLLAR	
1	00030-35001	COLLAR	
1	00030-35002	COLLAR	
1	00030-35003	COLLAR	
1	00020-35004	COLLAR	
1	00030-35005	COLLAR	
1	19000-03700	CYLINDER, Boom (RH)	
1	19000-08400	CYLINDER, Boom (RH)	
1	19000-03800	CYLINDER, Boom (LH)	
1	19000-08300	CYLINDER, Boom (LH)	
1	19000-03900	CYLINDER, Arm	
1	19000-08500	CYLINDER, Arm	

FIG. 30 HOE

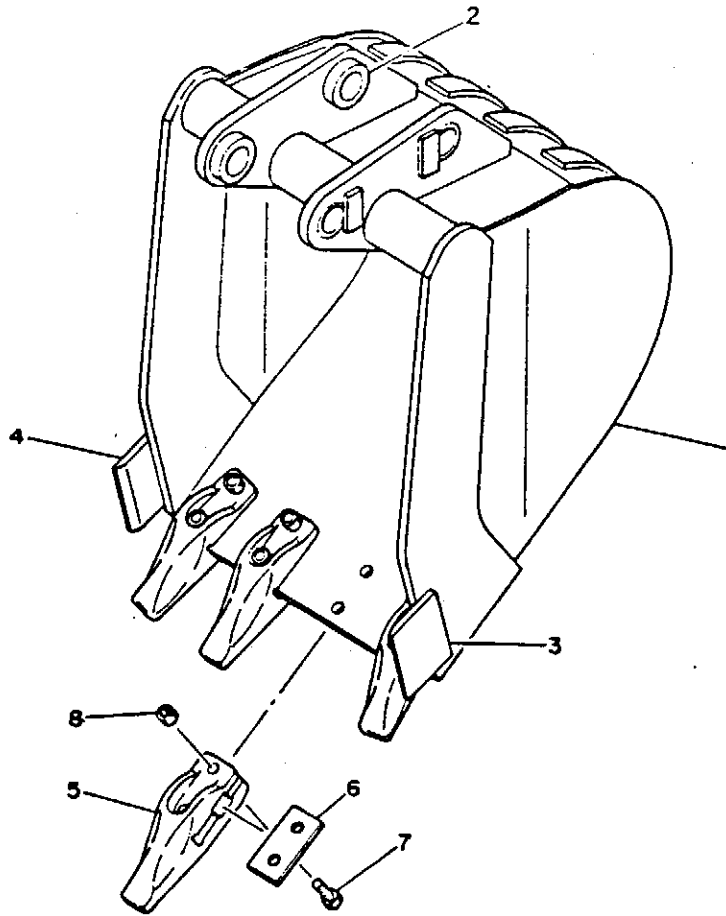


PARTS NUMBER	DESCRIPTION	Qty	REMARKS
19000 04000	CYLINDER, Bucket	1	

NOTE

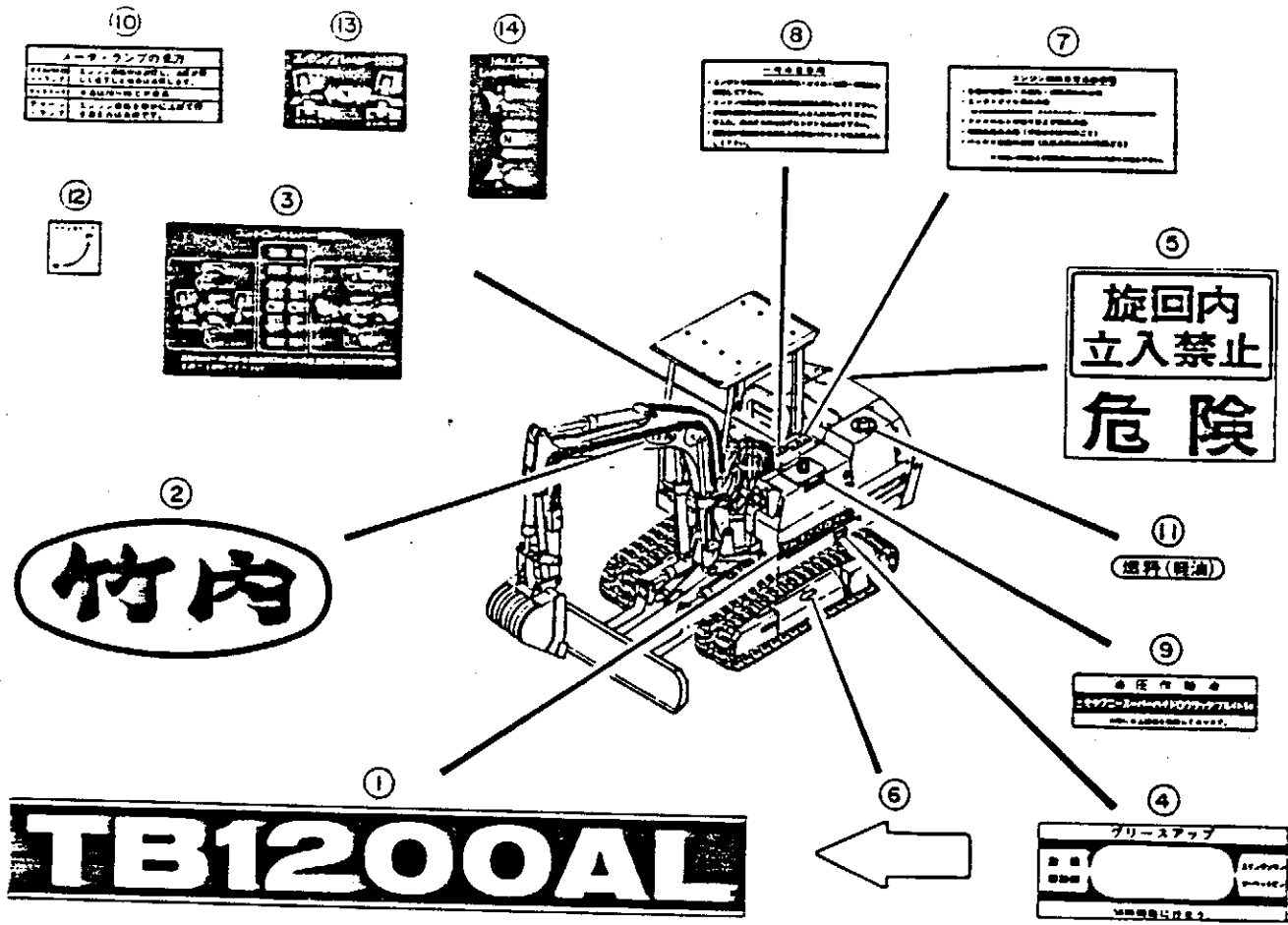
- Use 0-3 (01661 0001) with Serial number 027-0183 for France
 027- for U.S.A
 027- for China
- Use 0-3 (01561 0001) with Serial number 0184 - for only France
- Use 02 (01661 00400) with Serial number 027-0183 for France
 027- for U.S.A
 027- for China
- Use 02 (01561 00400) with Serial number 0184 - for only France
- Use 0 (1000 03700) with Serial number 027-0183 for France
 027- for U.S.A
 027- for China
- Use 0 (1000 03400) with Serial number 0184 - for only France
- Use 01 (11000 05800) with Serial number 027-0183 for France
 027- for U.S.A
 027- for China
- Use 01 (11000 05800) with Serial number 0184 - for only France
- Use 02 (10000 07500) with Serial number 027-0183 for France
 027- for U.S.A
 027- for China
- Use 02 (10000 07500) with Serial number 0184 - for only France

FIG. 31 BUCKET



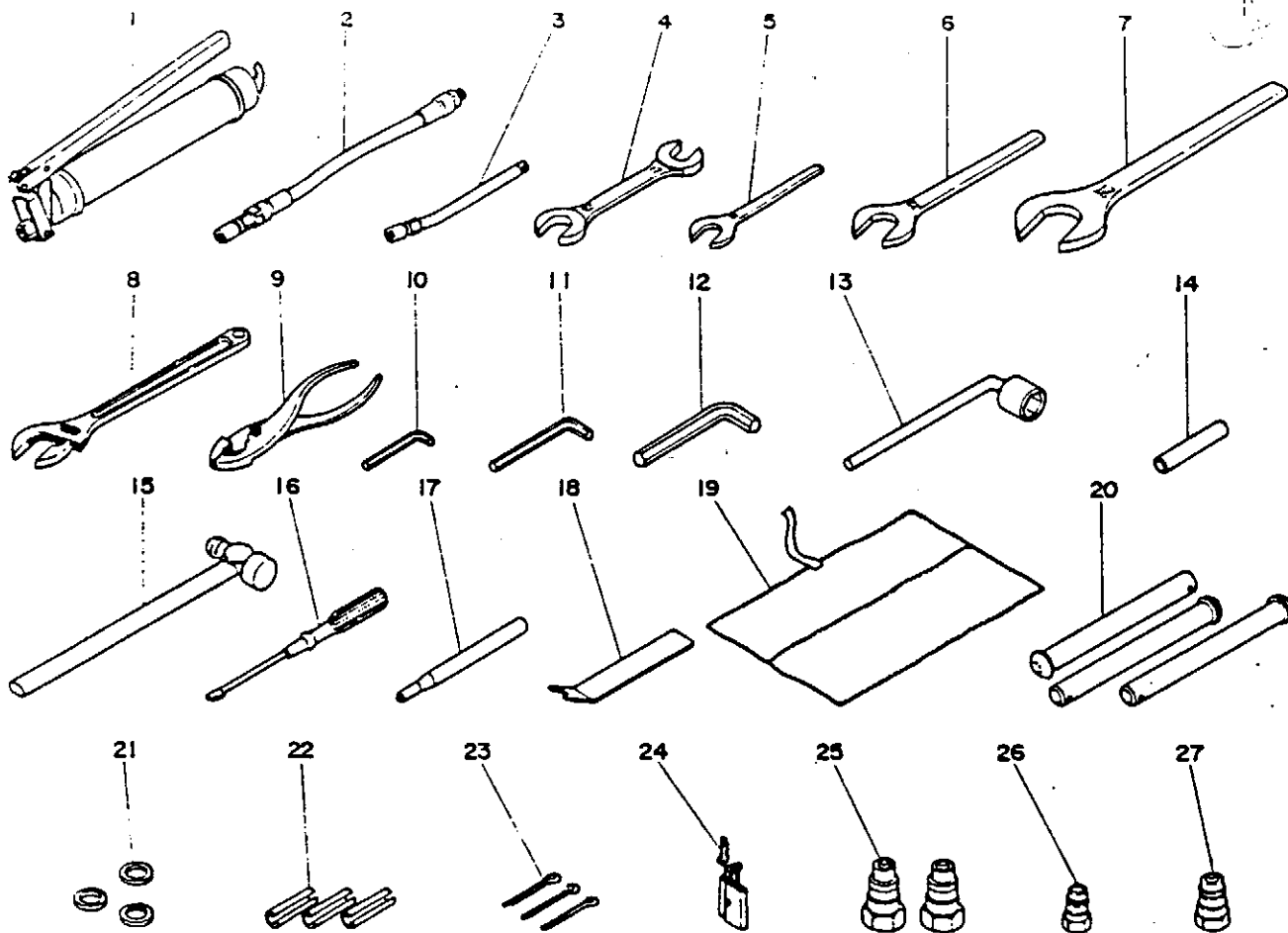
QTY	PARTS NUMBER	DESCRIPTION	QTY	REMARKS
01	01362-12500	BUCKET ASSY	1	
1	01362-12600	*BUCKET	1	
2	90029-00003	**BUSHING	4	
3	01162-10612	**CUTTER. Side (RH)	1	
4	01162-10613	**CUTTER. Side (LH)	1	
5	01362-09900	*TOOTH	4	
6	01362-99801	*SHIM	4	
	01362-93802	*SHIM	4	
	01362-07803	*SHIM	4	
7	11010-51245	*BOLT	3	
8	11305-50012	*NUT	3	

FIG. 34-3 STICKERS



PARTS NUMBER	DESCRIPTION	Qty	REMARKS
31 01593-90300	STICKER SET	1	
1 01593-00100	*STICKER	1	
2 01593-10200	*STICKER	2	
3 01393-01100	*STICKER	1	
4 01393-02000	*STICKER	1	
5 01693-01000	*STICKER	1	
6 01393 02500	*SYMBOL MARK	2	
7 01533-00300	*STICKER	1	
8 01693-00800	*STICKER	1	
9 01593-21200	*STICKER	1	
10 01993-11300	*STICKER	1	
11 01393-02100	*STICKER	1	
12 01693-02200	*STICKER	1	
13 01393-02300	*STICKER	1	
14 01393-02400	*STICKER	1	

FIG. 35 TOOLS



Q'ty	PARTS NUMBER	DESCRIPTION	REMARKS
3-1	01592-30000	TOOL SET	
1	16910-60300	*GUN Grease	
2	16911-10001	*NOZZLE	
3	16911-10004	*NOZZLE	
4	16900-01719	*SPANNER	
5	16901-00013	*SPANNER	
5	16901-00022	*SPANNER	
7	16901-00027	*SPANNER	
1	16904-00250	*MONKEY WRENCH	
1	16905-00200	*PLIER	
10	16906-00400	*WRENCH, Hex	
1	16906-00500	*WRENCH, Hex	
12	16906-00800	*WRENCH, Hex	
13	16908-50026	*WRENCH, L-Type	
14	00079-00009	*PIPE	
1	16903-00330	*HAMMER	
16	16902-00100	*DRIVER	
17	00079-00001	*PUNCH	
18	01544-21600	*SPANNER	
19	16914-00001	*CASE Tool	
20	19140-00102	PIN, Track	
21	19140-00103	WASHER, Plain	
22	12130-10620	PIN, Spring	
23	12100-00050	PIN, Spill	
24	16915-00001	HOLDER, Key	

Q'ty	PARTS NUMBER	DESCRIPTION	REMARKS
2	15167-00002	COUPLING	
1	15167-00003	COUPLING	
1	15167-00004	COUPLING	

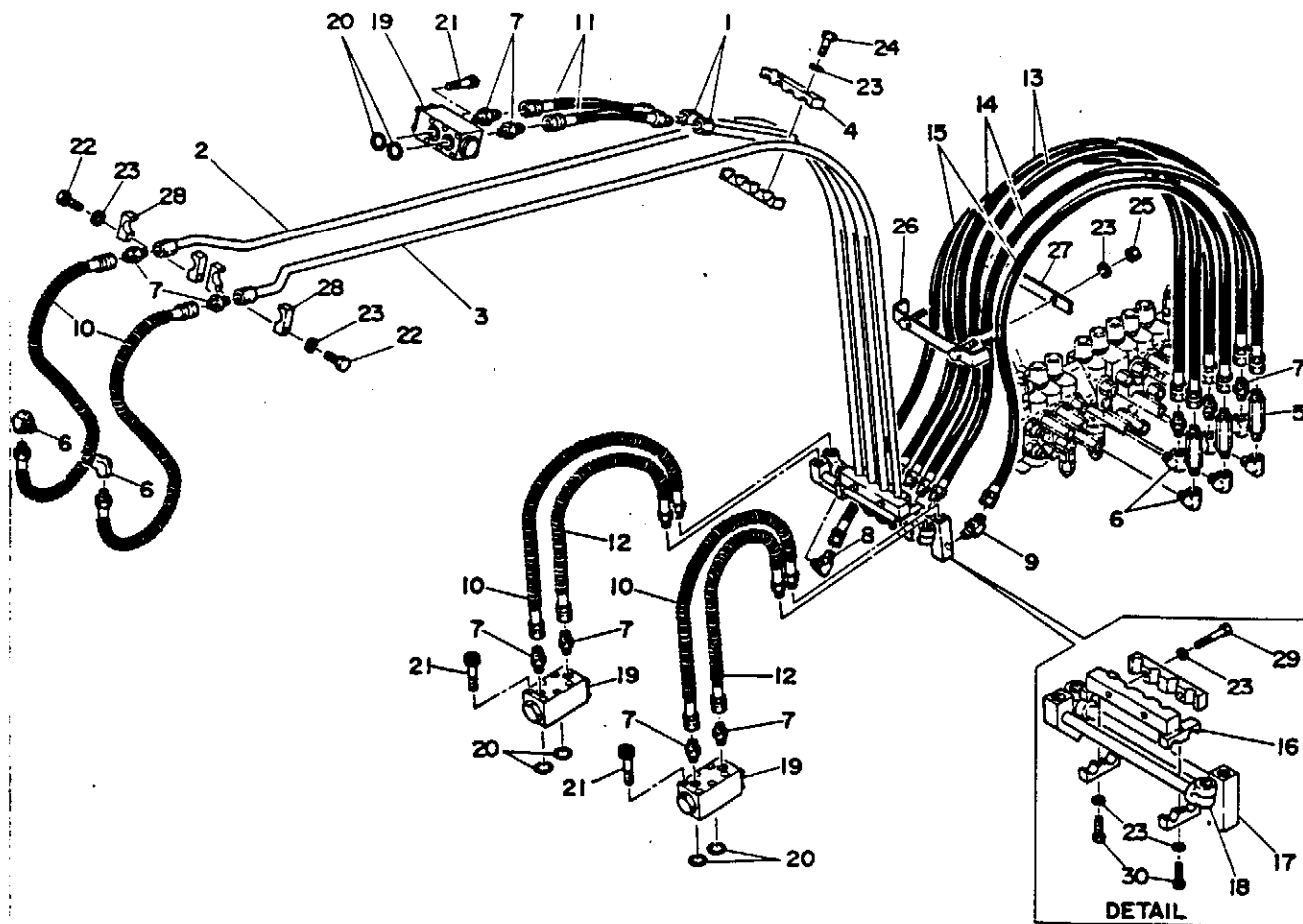
NOTE

Item 25 with Serial number #253 ~ for France
#382 ~ for U.S.A

Item 26 with Serial number #253 ~ for France
#257 ~ for U.S.A
#330 ~ for China

Item 27 with Serial number #253 ~ for France
#257 ~ for U.S.A
#330 ~ for China

FIG. 32-1 PIPING, HOE 1



Item	PARTS NUMBER	DESCRIPTION	Qty	REMARKS	Item	PARTS NUMBER	DESCRIPTION	Qty	REMARKS
1	01473-50100	PIPE	2		25	11300-50008	NUT	2	
2	01473-50200	PIPE	1		26	01473-52100	CLAMP	1	
3	01473-50300	PIPE	1		27	01473-52200	CLAMP	1	
4	01373-10900	CLAMP	1		28	01373-10700	CLAMP	2	
5	00072-00002	ADAPTOR	3		29	11000-50850	BOLT	2	
6	15013-00003	ELBOW, 90°	8		30	11000-50830	BOLT	2	
7	15110-00003	ADAPTOR	11						
8	15111-00003	ELBOW, 90°	1						
9	15112-00003	ELBOW, 45°	1						
10	19081-09085	HOSE ASSY	4						
11	19080-09040	HOSE ASSY	2						
12	19081-09070	HOSE ASSY	2						
13	19080-09120	HOSE ASSY	2						
14	19080-09130	HOSE ASSY	2						
15	19082-09130	HOSE ASSY	2						
16	01373-41100	CLAMP	1						
17	01573-23700	PIPE	1						
18	01573-23800	PIPE	1						
19	19017-00800	VALVE	3						
	19017-02200	VALVE	3						
20	14200-10140	*O-RING	6						
21	11100-50655	BOLT, Socket	18						
22	11000-50835	BOLT	2						
23	11400-10008	WASHER, Spring	10						
24	11000-50845	BOLT	2						

NOTE

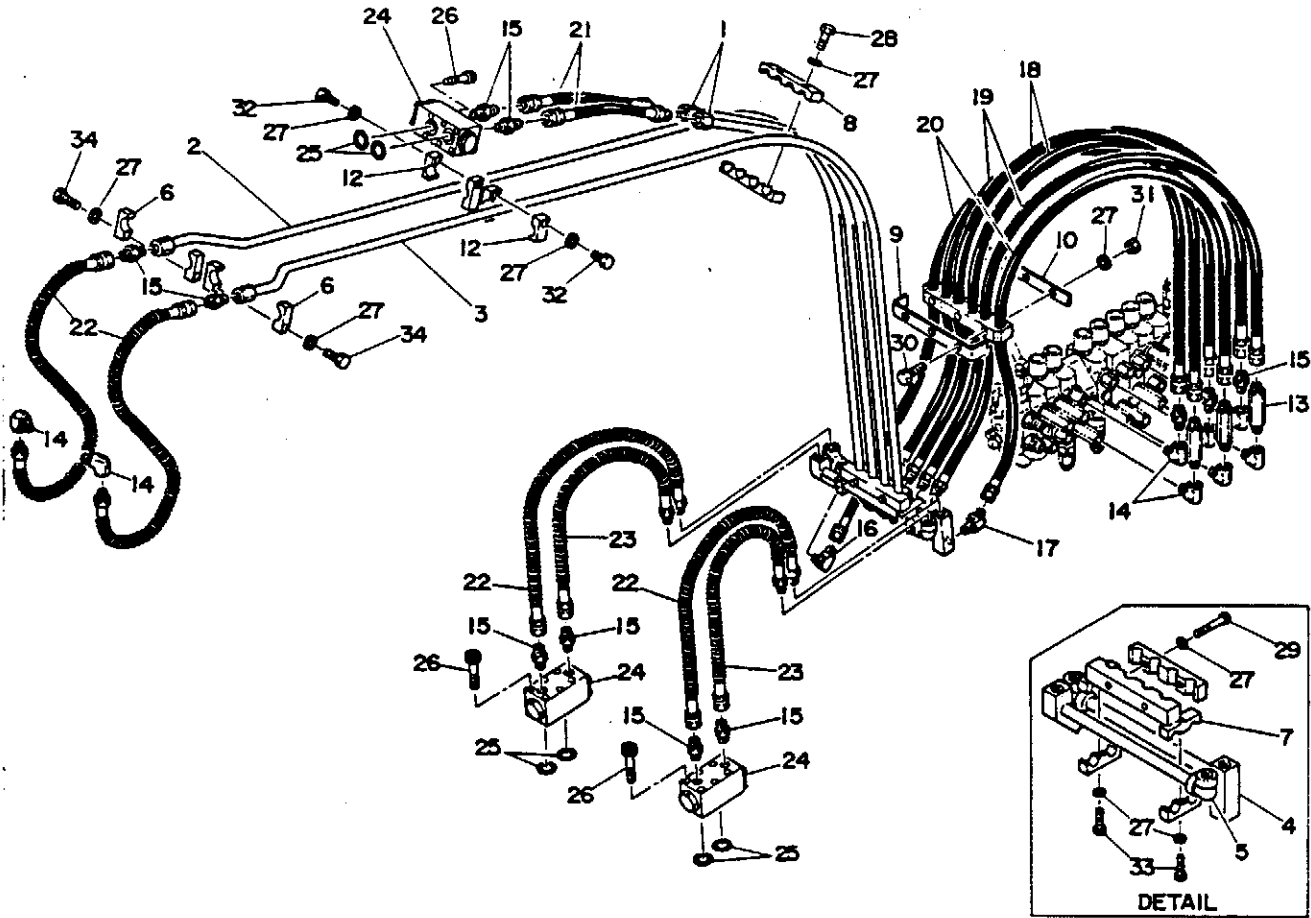
#184 ~ #252 For France

NOTE #184 ~ #252 For France

Rev. (D)

Rev. (D)

FIG. 32-2 PIPING, HOE 1



Qty	PARTS NUMBER	DESCRIPTION	REMARKS
2	01473-50100	PIPE	
1	01473-50200	PIPE	
1	01473-50300	PIPE	
1	01573-24100	PIPE	
1	01573-24200	PIPE	
2	01373-10700	CLAMP	
1	01373-41100	CLAMP	
1	01373-10900	CLAMP	
1	01573-24700	CLAMP	
1	01573-24800	CLAMP	
1	01570-25700	GUARD	
2	01373-41400	CLAMP	#301 ~
3	00072-00002	ADAPTOR	
8	15013-00003	ELBOW, 90°	
11	15110-00003	ADAPTOR	
1	15111-00003	ELBOW, 90°	
1	15112-00003	ELBOW, 45°	
2	19080-09120	HOSE ASSY	
2	19082-09130	HOSE ASSY	
2	19080-09130	HOSE ASSY	
2	19080-09040	HOSE ASSY	
4	19081-09085	HOSE ASSY	
2	19081-09070	HOSE ASSY	
3	19017-00800	VALVE	
3	14200-02200	VALVE	

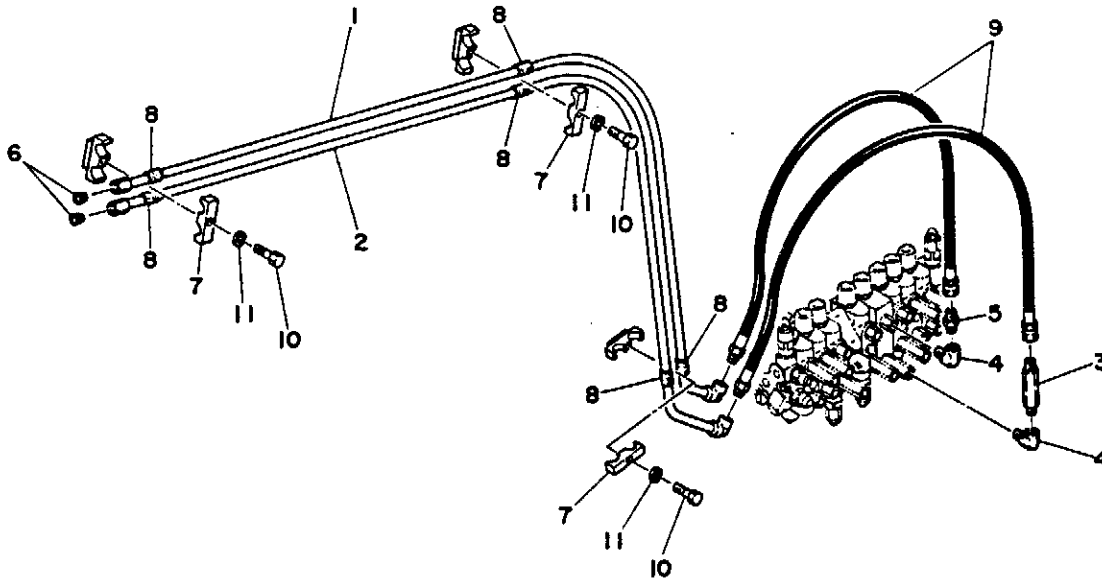
Qty	PARTS NUMBER	DESCRIPTION	REMARKS
6	14200-10140	O-RING	
18	11000-50655	BOLT, Socket	
12	11400-10008	WASHER, Spring	#301 ~
2	11000-50845	BOLT	
2	11000-50850	BOLT	
3	11000-50855	BOLT	
3	11300-50008	NUT	
2	11000-50825	BOLT	#301 ~
2	11000-50830	BOLT	
2	11000-50835	BOLT	

NOTE

For France#253 ~

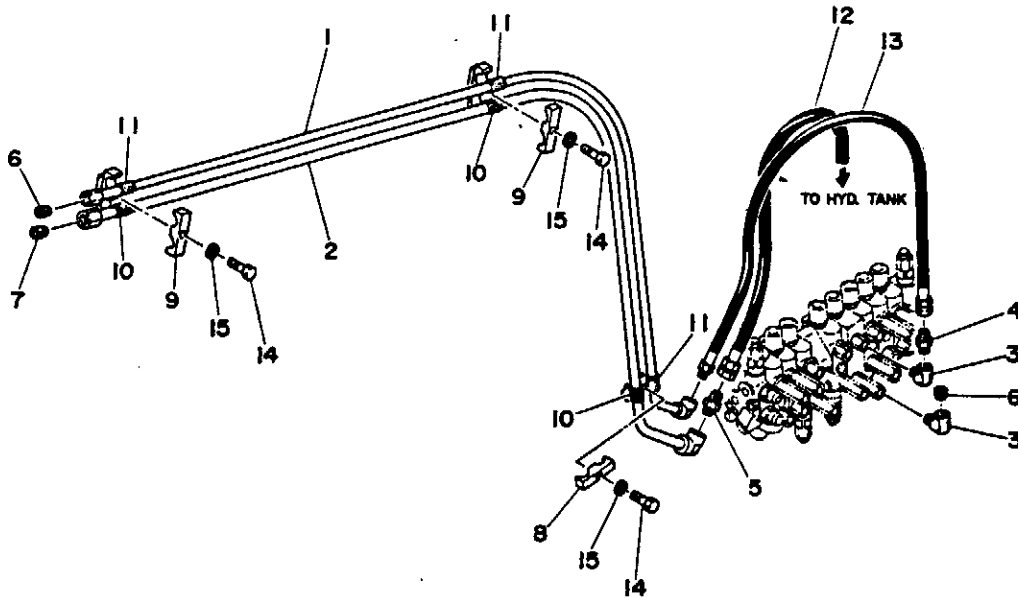
109

FIG. 33-1 PIPING, HOE 2



Item	PARTS NUMBER	DESCRIPTION	Qty	REMARKS
1	01573-22100	PIPE	1	
2	01573-22200	PIPE	1	
3	00072-00002	ADAPTOR	1	
4	15013-00003	E ELBOW, 90°	2	
5	15110-00003	ADAPTOR	1	
6	15018-20003	PLUG	2	
7	01560-20124	CLAMP	3	
8	01473-51300	GUARD	6	
9	19080-09150	HOSE ASSY	2	
10	11000-50835	BOLT	3	
11	11400-10008	WASHER, Spring	3	

FIG. 33-2 PIPING, HOE 2

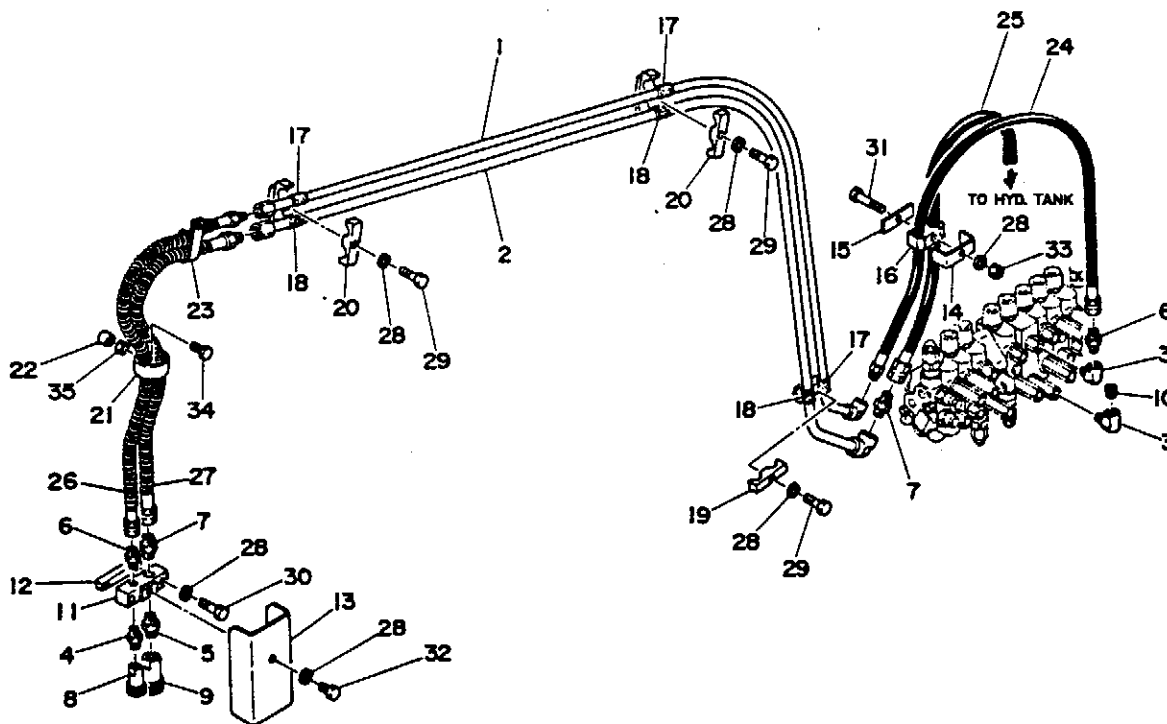


Item	PARTS NUMBER	DESCRIPTION	Qty	REMARKS
1	01573-23500	PIPE	1	
2	01573-23600	PIPE	1	
3	15013-00003	ELBOW, 90°	2	
4	15110-00003	ADAPTOR	1	
5	15110-00004	ADAPTOR	1	
6	15018-20003	PLUG	2	
7	15018-10004	PLUG	1	
8	01573-11100	CLAMP	1	
9	01573-11200	CLAMP	2	
10	15314-19000	GUARD	3	
11	01473-51300	GUARD	3	
12	19082-12200	HOSE ASSY	1	
13	19080-09150	HOSE ASSY	1	
14	11000-50835	BOLT	3	
15	11400-10008	WASHER, Spring	3	

NOTE

For France#184 ~#252

FIG. 33-3 PIPING, HOE 2



Item	PARTS NUMBER	DESCRIPTION	Q'ty	REMARKS
1	01573-23500	PIPE	1	
2	01573-23600	PIPE	1	
3	15013-00003	ELBOW, 90°	2	
4	15015-00003	CONNECTOR	1	
5	15015-00004	CONNECTOR	1	
6	15110-00003	ADAPTOR	2	
7	15110-00004	ADAPTOR	2	
8	15166-00003	COUPLING	1	
9	15166-00004	COUPLING	1	
10	15018-20003	PLUG	1	
11	01573-24500	ADAPTOR	1	
12	01573-25200	FLAT BAR	1	
13	01573-25500	PROTECTOR	1	
14	01471-00200	CLAMP	1	
15	01573-24900	CLAMP	1	
16	01573-25000	GUARD	1	
17	01473-51300	GUARD	3	
18	15314-19000	GUARD	3	
19	01573-11100	CLAMP	1	
20	01573-11200	CLAMP	2	
21	02272-41100	CLAMP	1	
22	01573-25600	PIECE	1	
23	00073-00018	CLAMP	1	
24	19080-09150	HOSE ASSY	1	
25	19082-12200	HOSE ASSY	1	

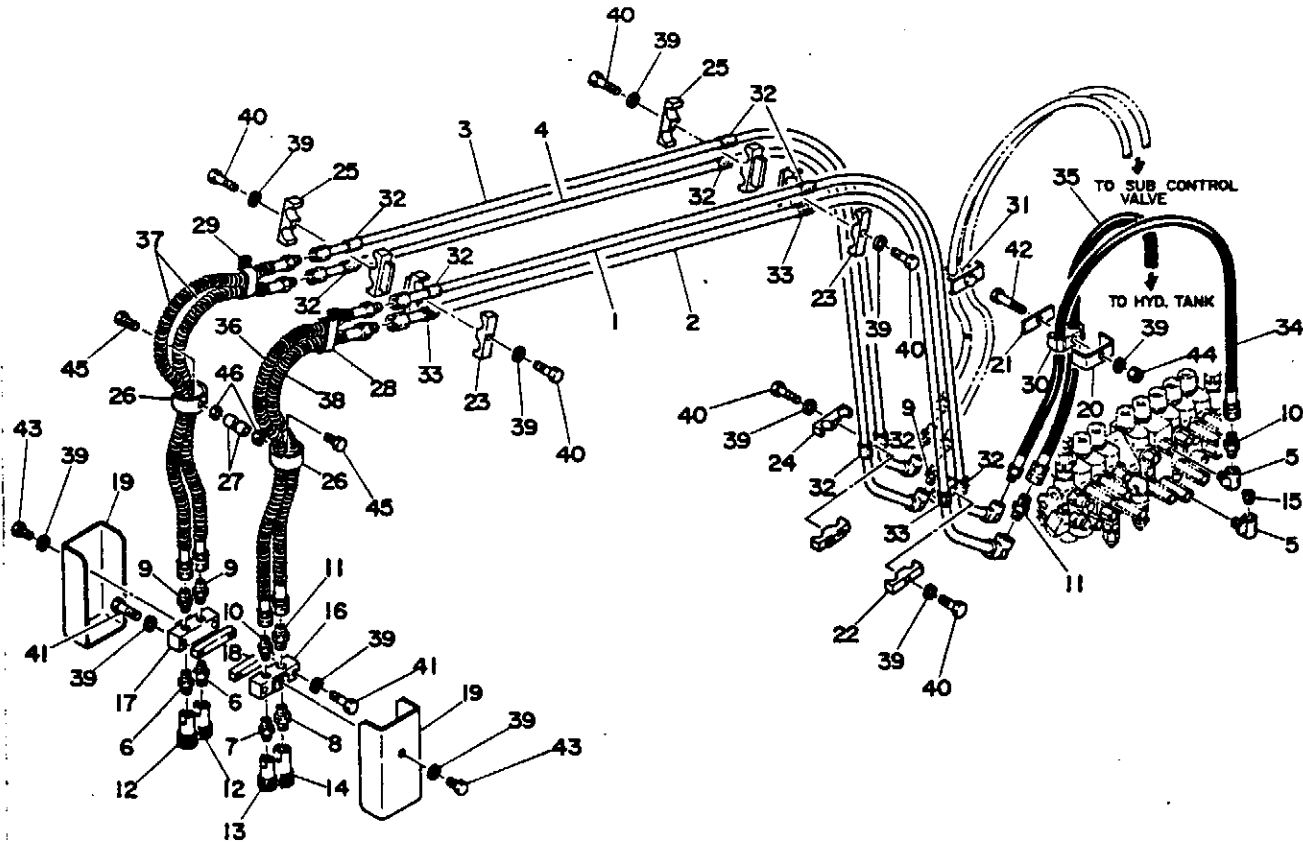
NOTE For U.S.A #357 ~#381. For China#330 ~. Rev. D

Item	PARTS NUMBER	DESCRIPTION	Q'ty	REMARKS
26	19081-09092	HOSE ASSY	1	
27	19081-12092	HOSE ASSY	1	
28	11400-20008	WASHER, Spring	7	
29	11000-50835	BOLT	3	
30	11000-50845	BOLT	2	
31	11000-50855	BOLT	1	
32	11000-50816	BOLT	1	
33	11300-50008	NUT	1	
34	11000-51025	BOLT	1	
35	11300-50010	NUT	1	

NOTE

For U.S.A #357 ~#381. For China#330 ~.

FIG. 33-4 PIPING, HOE 2

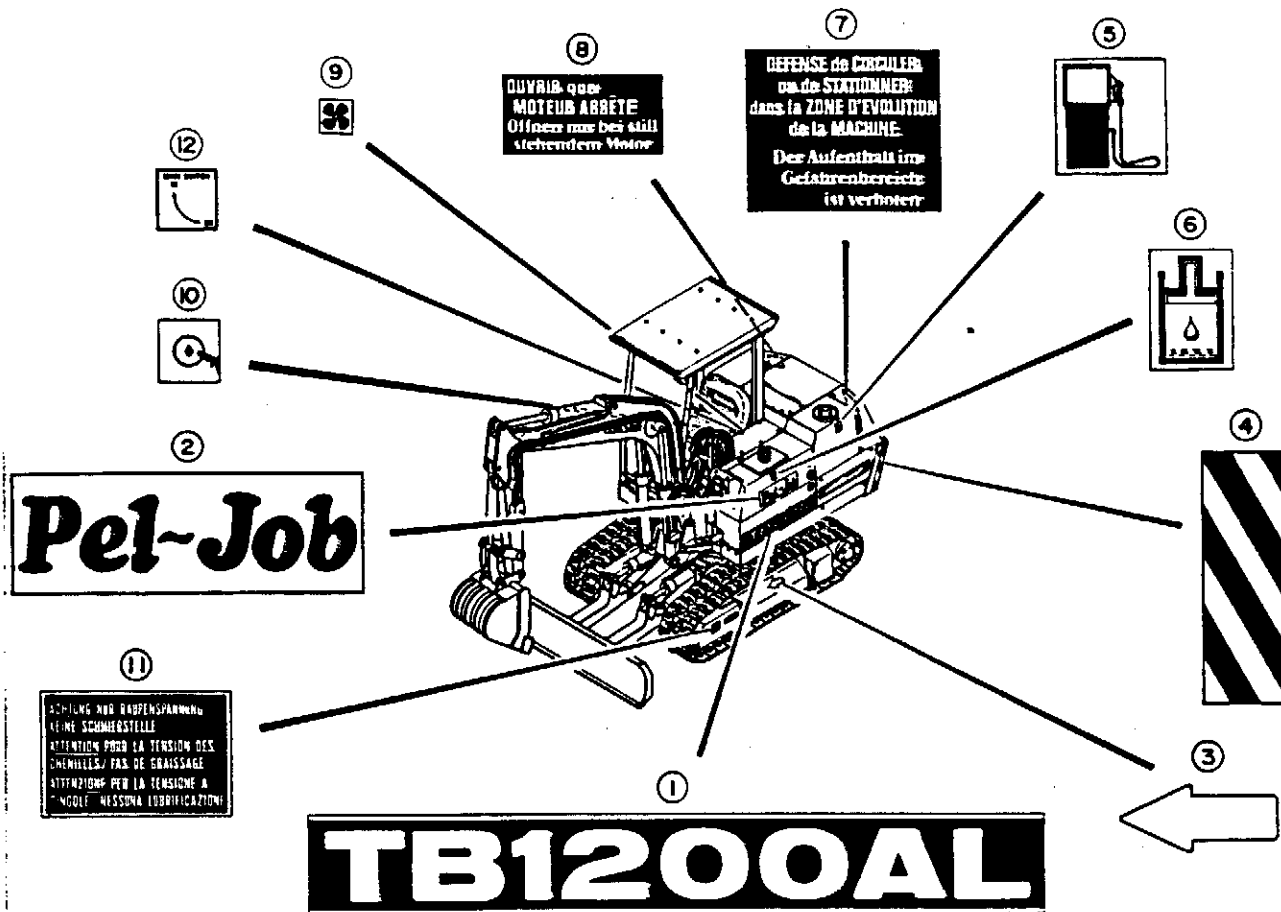


Item	PARTS NUMBER	DESCRIPTION	Q'ty	REMARKS	Item	PARTS NUMBER	DESCRIPTION	Q'ty	REMARKS
1	01573-23500	PIPE	1		26	02272-41100	CLAMP	2	
2	01573-23600	PIPE	1		27	01573-25600	PIECE	2	
3	01573-24300	PIPE	1		28	00073-00018	CLAMP	1	
4	01573-24400	PIPE	1		29	00073-00019	CLAMP	1	
5	15013-00003	ELBOW, 90°	2		30	01573-25000	GUARD	1	
6	15015-00002	CONNECTOR	2		31	01573-25100	GUARD	1	
7	15015-00003	CONNECTOR	1		32	01473-51300	GUARD	9	
8	15015-00004	CONNECTOR	1		33	15314-19000	GUARD	3	
9	15110-00002	ADAPTOR	4		34	19080-09150	HOSE ASSY	1	
10	15110-00003	ADAPTOR	2		35	19082-12200	HOSE ASSY	1	
11	15110-00004	ADAPTOR	2		36	19081-09920	HOSE ASSY	1	
12	15166-00002	COUPLING	2		37	19081-06920	HOSE ASSY	2	
13	15166-00003	COUPLING	1		38	19081-12920	HOSE ASSY	1	
14	15166-00004	COUPLING	1		39	11400-10008	WASHER, Spring	14	
15	15018-20003	PLUG	1		40	11000-50835	BOLT	6	
16	01573-24500	ADAPTOR	1		41	11000-50845	BOLT	4	
17	01573-24600	ADAPTOR	1		42	11000-50855	BOLT	2	
18	01573-25200	FLAT BAR	2		43	11000-50816	BOLT	2	
19	01573-25500	PROTECTOR	2		44	11300-50008	NUT	2	
20	01471-00200	CLAMP	2		45	11000-51025	BOLT	2	
21	01573-24900	CLAMP	2		46	11300-50010	NUT	2	
22	01573-23300	CLAMP	1						
23	01573-23400	CLAMP	2						
24	01573-11100	CLAMP	1						
25	01573-11200	CLAMP	2						

NOTE

For France#253 -- For U.S.A #382 --

FIG. 34-1 STICKERS

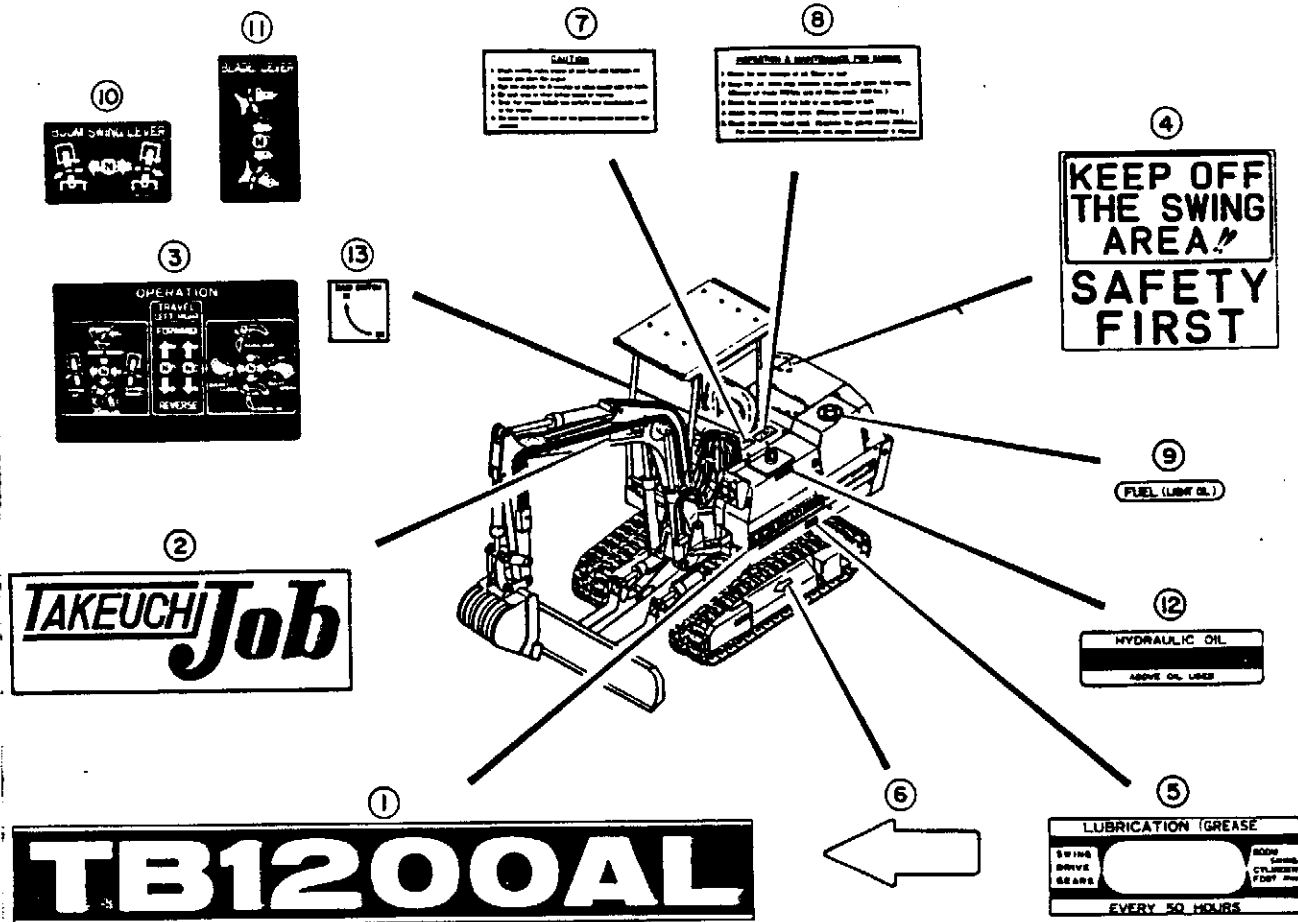


Qty	PARTS NUMBER	DESCRIPTION	Qty	REMARKS
0-1	01593-90100	STICKER SET	1	
1	01593-00100	*STICKER	1	
2	01593-00200	*STICKER	3	
3	01393-02500	*SYMBOL MARK	2	
4	02593-00300	*SYMBOL MARK	2	
5	02593-00600	*SYMBOL MARK	1	
6	02593-00700	*SYMBOL MARK	1	
7	02593-00300	*STICKER	1	
8	02593-00400	*STICKER	1	
9	01593-00400	*SYMBOL MARK	1	
10	02593-00800	*SYMBOL MARK	1	
11	01593-30000	*STICKER	2	#392 -
12	01793-12200	*STICKER	1	

NOTE

For France

FIG. 34-2 STICKERS

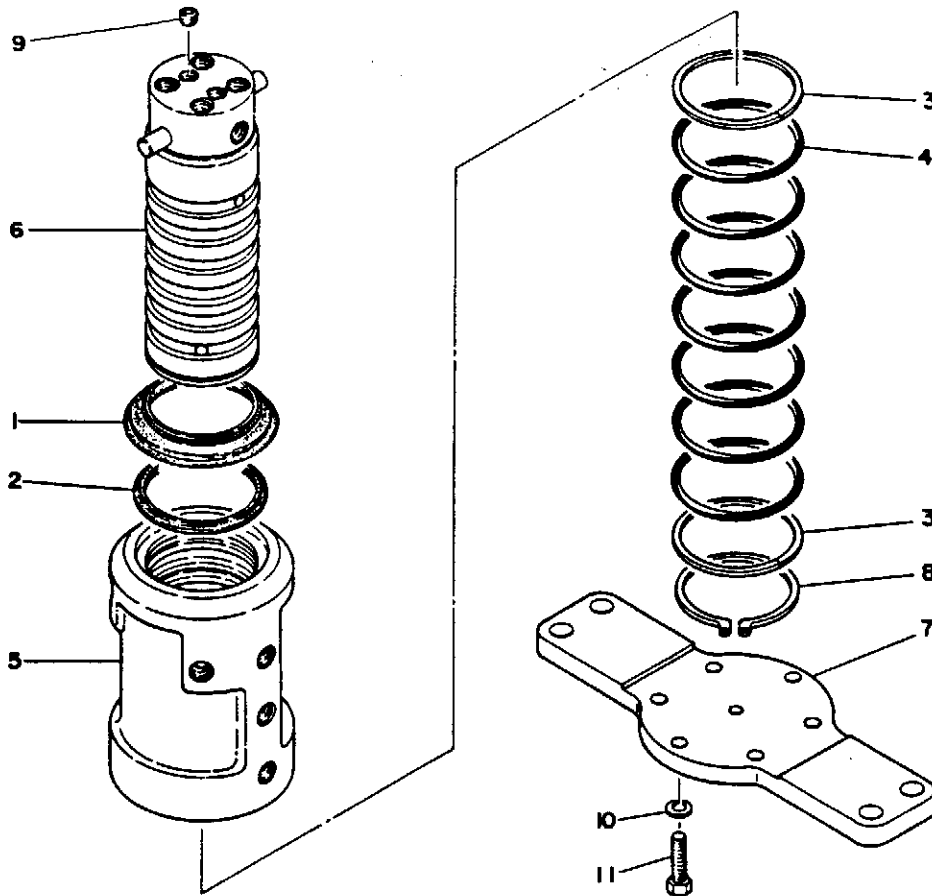


Item	PARTS NUMBER	DESCRIPTION	Qty	REMARKS
0-1	01593-90200	STICKER SET	1	
1	01593-00100	*STICKER	1	
2	01593-20200	*STICKER	3	
3	01593-20400	*STICKER	1	
4	01593-20500	*STICKER	1	
5	01793-12000	*STICKER	1	
6	01393-02500	*SYMBOL MARK	2	
7	01793-10800	*STICKER	1	
8	01793-10900	*STICKER	1	
9	01793-12100	*STICKER	1	
10	01793-12300	*STICKER	1	
11	01793-12400	*STICKER	1	
12	01793-12500	*STICKER	1	
13	01793-12200	*STICKER	1	

NOTE

For U.S.A

FIG. 36 SWIVEL JOINT

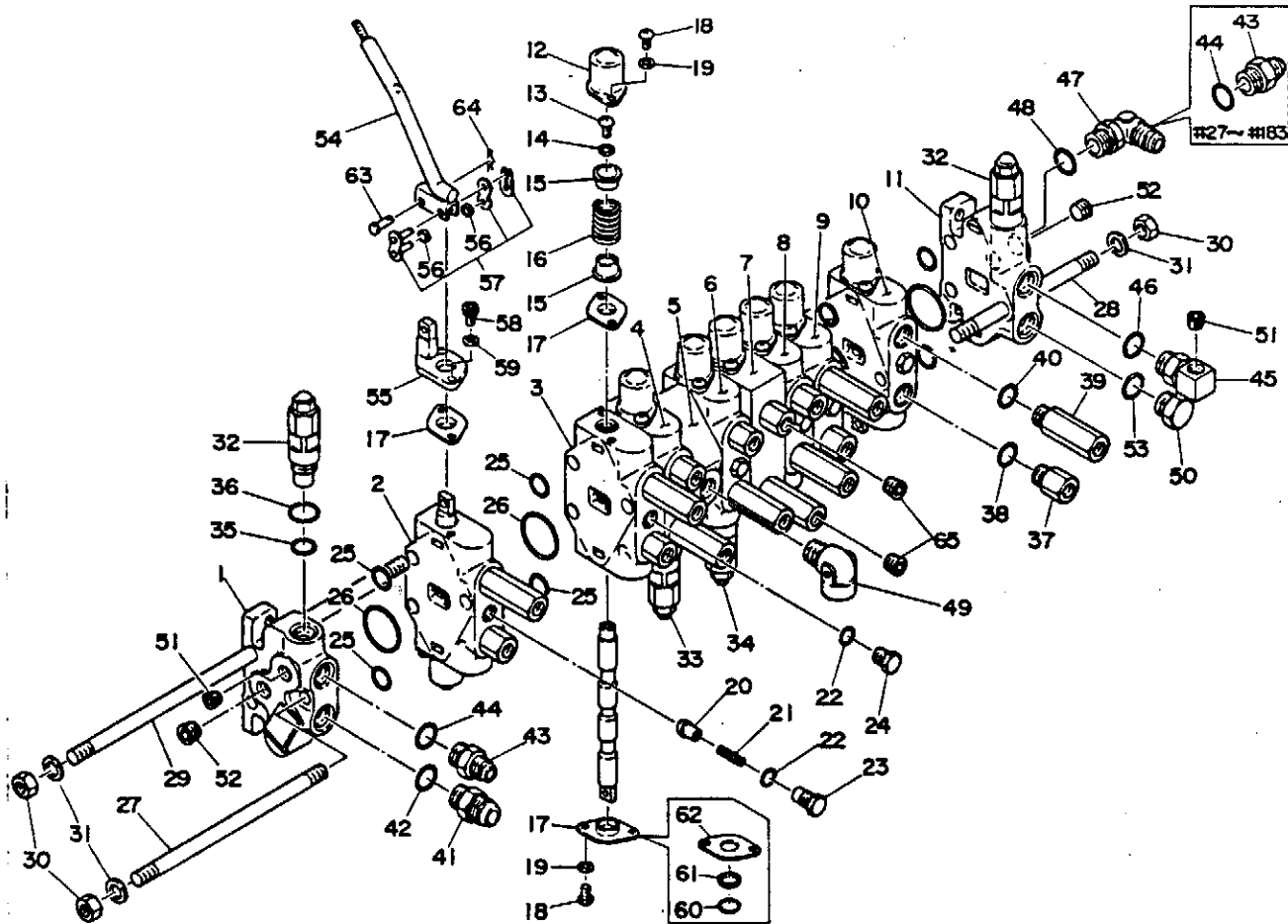


Item	PARTS NUMBER	DESCRIPTION	Qty	REMARKS
0-1	19040-01800	JOINT ASSY. Swivel	1	
0-2	19040-01899	*KIT. Seal	1	
1	19040-01795	**SEAL. Dust	1	
2	19040-00104	**SEAL. Dust	1	
3	14210-20750	**RING. Back-up	2	
4	14200-10750	**O-RING	7	
5	19040-01801	*HUB	1	
6	19040-01811	*SHAFT	1	
7	19040-00103	*FRANGE	1	
8	19040-00193	*RING. Snap	1	
9	15018-10002	*PLUG	2	
10	11400-10010	*WASHER. Spring	6	
11	11000-51030	*BOLT	6	

NOTE

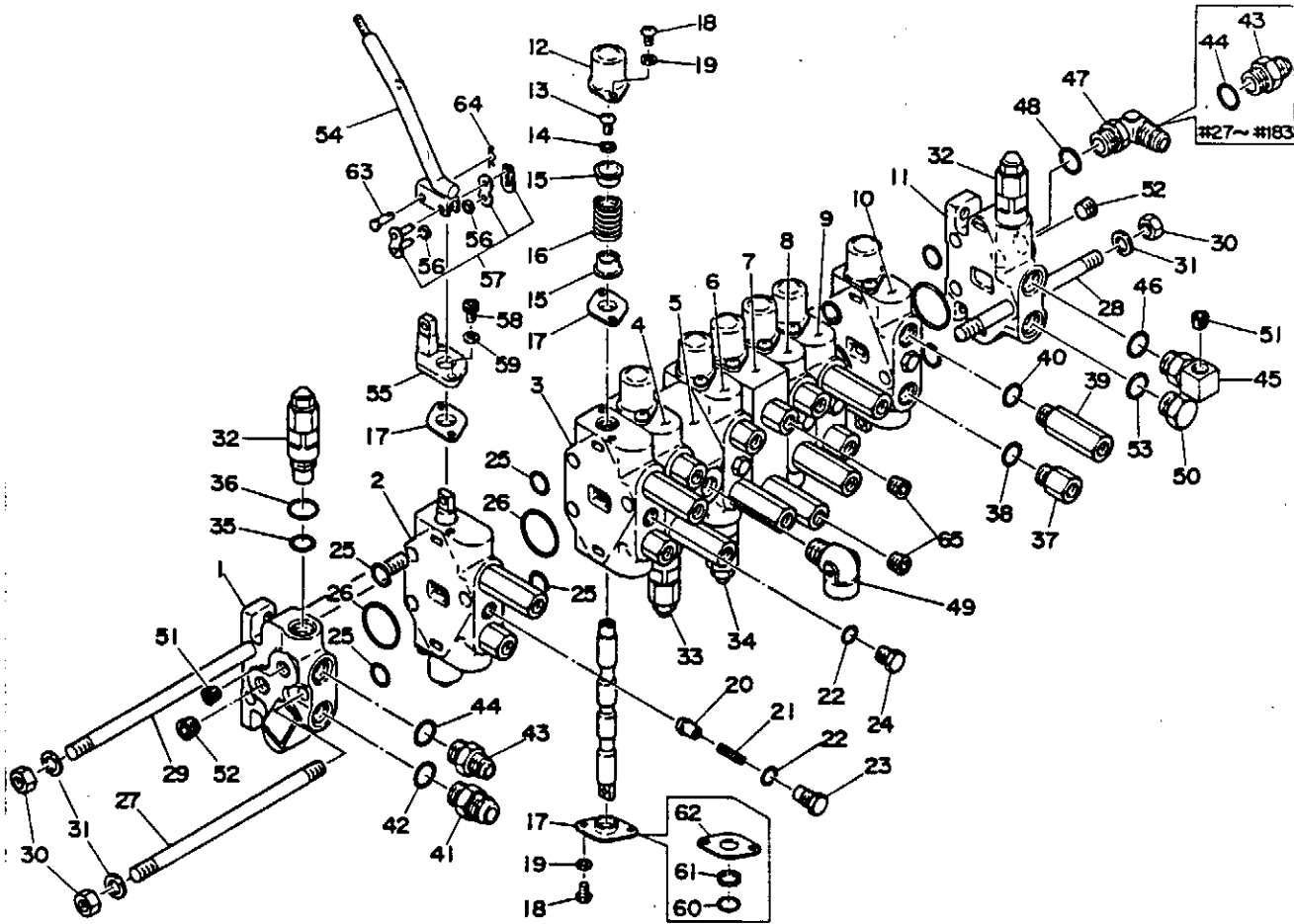
#392 ~

FIG. 37 CONTROL VALVE, MAIN



Qty	PARTS NUMBER	DESCRIPTION	Qty	REMARKS	Qty	PARTS NUMBER	DESCRIPTION	Qty	REMARKS
01	19010-02200	VALVE ASSY. Control	1		25	14203-10018	*O-RING	20	
1	19010-00301	*HOUSING. Inlet	1		26	14203-10030	*O-RING	10	
2	19010-00215	*BLOCK ASSY. Swing	1		27	19010-00306	*TIE ROD	1	
3	19010-00214	*BLOCK ASSY. Traction LH	1		28	19010-00208	*TIE ROD	1	
4	19010-00212	*BLOCK ASSY. Arm	1		29	19010-00307	*TIE ROD	2	
5	19010-01801	*HOUSING. Inlet	1		30	11310-50012	*NUT	6	
6	19010-00211	*BLOCK ASSY. Boom	1		31	11411-00012	*WASHER. Plain	6	
7	19010-02211	*BLOCK ASSY. Breaker	1		32	19010-00010	*VALVE. Relief	2	
8	19010-00111	*BLOCK ASSY. Bucket	1		33	19010-00011	*VALVE. Overload	1	
9	19010-00111	*BLOCK ASSY. Traction RH	1		34	19010-00012	*VALVE. Overload	1	
10	19010-00216	*BLOCK ASSY. Slow	1		35	14200-10180	*O-RING	4	
11	19010-00201	*HOUSING. Inlet	1		36	14200-10220	*O-RING	4	
12	19010-00161	**COVER	8		37	15131-00001	*ADAPTOR	8	
13	11205-20814	**SCREW. Pan Head	8		38	14203-10908	**O-RING	8	
14	11400-10008	**WASHER. Spring	8		39	15131-00002	*ADAPTOR	8	
15	19010-00151	**HOLDER. Spring	16		40	14203-10908	**O-RING	8	
16	19010-00156	**SPRING	8		41	15131-00009	*ADAPTOR	1	
17	19010-01846	**SEAL. Dust	16		42	14203-10910	**O-RING	1	
18	11205-20612	**SCREW. Pan Head	30		43	15131-00005	*ADAPTOR	2	#27~#183
19	11400-10006	**WASHER. Spring	30			15131-00005	*ADAPTOR	1	#184 ~
20	19010-00166	**PLUNGER. Check	4		44	14203-10910	**O-RING	2	#27~#183
21	19010-00157	**SPRING	4			14203-10910	**O-RING	1	#184 ~
22	14200-10110	**O-RING	7		45	15135-00006	*ADAPTOR	1	
23	15135-00001	**PLUG	4		46	14203-10910	**O-RING	1	
24	15135-00005	**PLUG	3		47	15152-00433	*ELBOW. 90°	1	#184 ~

FIG. 37 CONTROL VALVE, MAIN

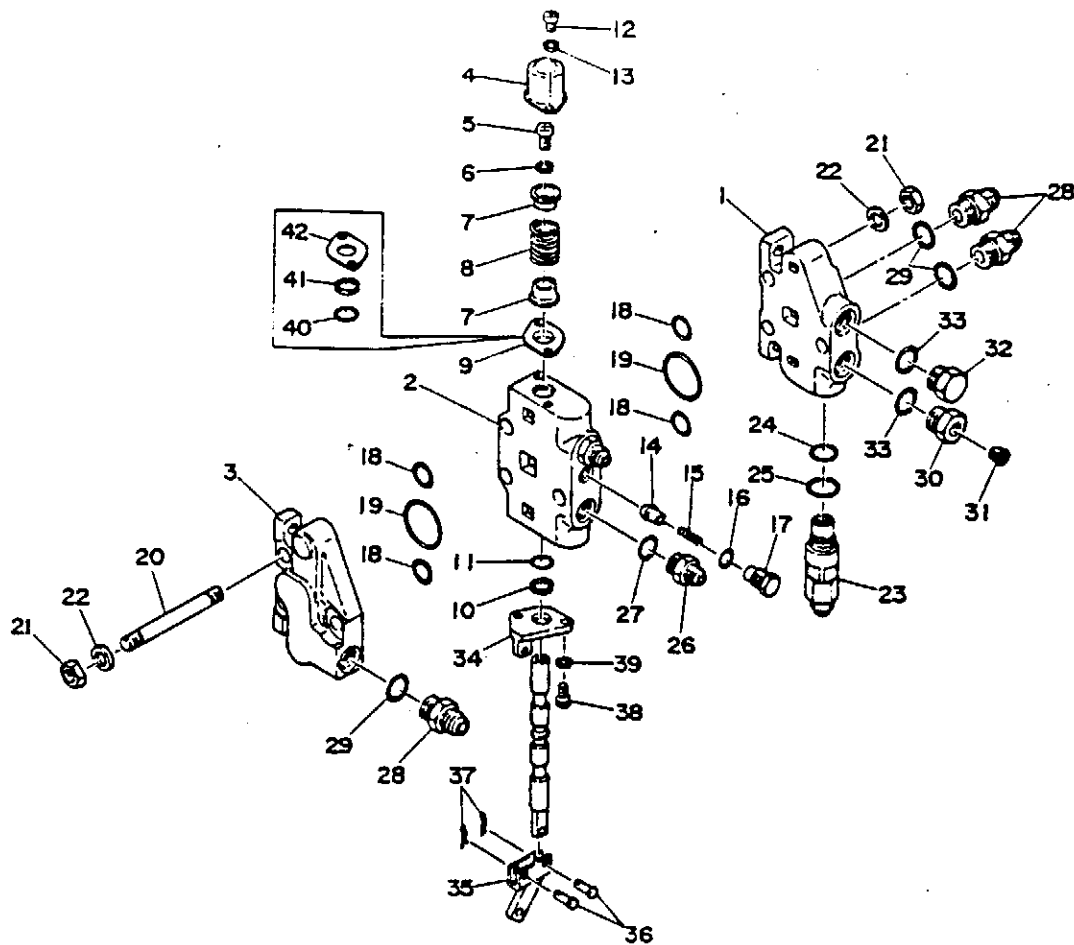


Item	PARTS NUMBER	DESCRIPTION	Q'ty	REMARKS
48	14203-10910	★O-RING	1	
49	15013-00004	★ELBOW, 90°	1	
50	15135-00002	★PLUG	1	
51	15018-20002	★PLUG	2	
52	15018-20003	★PLUG	2	
53	14203-10910	★O-RING	1	
54	14330-10001	★LEVER	1	
55	14330-20003	★BRACKET	1	
56	14330-30003	★COLLAR	2	
57	16200-50000	★JOIN ASSY. Link	1	
58	11100-50618	★BOLT, Socket	2	
59	11400-10006	★WASHER, Spring	2	
60	14200-00160	★O-RING	16	OLD TYPE
61	14212-00100	★RING, Back-Up	16	OLD TYPE
62	19010-00141	★SEAL, Holder	16	OLD TYPE
63	00041-05017	★PIN	1	
64	12140-00004	★PIN, Snap	1	
64	15018-20003	PLUG	2	

NOTE

Item 60 -61+62 → Item 17... interchangeable
 Item 65 with Serial number #27~#356 for U.S.A
 #27~#389 for China

FIG. 38-1 CONTROL VALVE, SUB

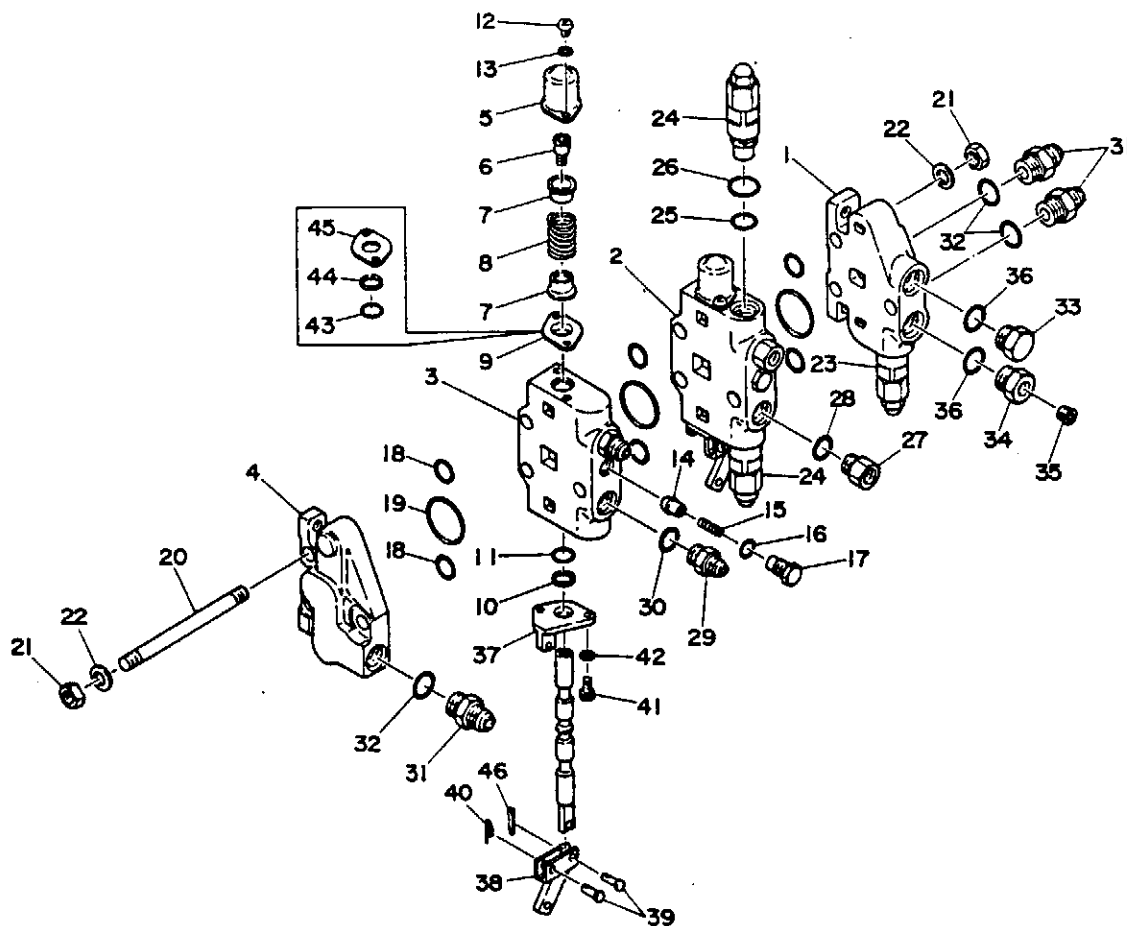


QTY	PARTS NUMBER	DESCRIPTION	QTY	REMARKS	QTY	PARTS NUMBER	DESCRIPTION	QTY	REMARKS
1	19010-02400	VALVE ASSY, Control	1		25	14200-10220	*O-RING	1	
1	19010-00201	*HOUSING, Inlet	1		26	15131-00004	*ADAPTOR	2	
1	19010-00111	*BLOCK ASSY, Blade	1		27	14203-10908	**O-RING	2	
1	19010-01901	*HOUSING, Outlet	1		28	15131-00005	*ADAPTOR	3	
1	19010-00161	**COVER	1		29	14203-10910	**O-RING	3	
1	11205-20814	**SCREW, Pan Head	1		30	15135-00003	*PLUG	1	
1	11400-10008	**WASHER, Spring	1		31	15018-20002	*PLUG	1	
2	19010-00151	**HOLDER, Spring	2		32	15135-00002	*PLUG	1	
1	19010-00156	**SPRING	1		33	14203-10910	*O-RING	2	
1	19010-01846	**SEAL, Dust	1		34	14330-20005	*BRACKET	1	
1	14212-00100	**RING, Back-Up	1		35	14330-30005	*LINK, Lever	1	
1	14200-00160	**O-RING	1		36	00040-05117	*PIN	2	
2	11205-20612	**SCREW, Pan Head	2		37	12140-00005	*PIN, Snap	2	
2	11400-10006	**WASHER, Spring	2		38	11100-50618	*BOLT, Socket	2	
1	19010-00166	**PLUNGER, Check	1		39	11400-10006	*WASHER, Spring	2	
1	19010-00157	**SPRING	1		40	14200-00150	*O-RING	1	OLD TYPE
1	14200-10110	**O-RING	1		41	14212-00100	*RING, Back-Up	1	OLD TYPE
1	15135-00001	**PLUG	1		42	19010-00141	*SEAL, Holder	1	OLD TYPE
4	14203-10018	**O-RING	4						
2	14203-10030	*O-RING	2						
3	19010-00106	*TIE ROD	3						
6	11310-50012	*NUT	6						
5	11111-00012	*WASHER, Plain	5						
1	19010-00013	*VALVE, Relief	1						
1	14200-10180	*O-RING	1						

NOTE

Item 40 - 41 - 42 → Item 9 ... Interchangeable

FIG. 38-2 CONTROL VALVE, SUB

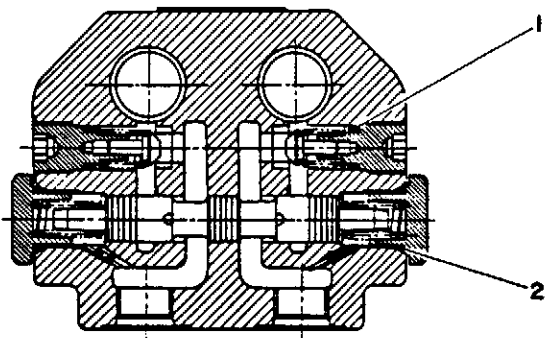


Item	PARTS NUMBER	DESCRIPTION	Q'ty	REMARKS	Item	PARTS NUMBER	DESCRIPTION	Q'ty	REMARKS
0-1	19010-05500	VALVE ASSY. Control	1		25	14200-10180	*O-RING	3	
1	19010-00701	*HOUSING. Inlet	1		26	14200-10220	*O-RING	3	
2	19010-03214	*BLOCK ASSY. Service Port	1		27	15131-00010	*ADAPTOR	2	
3	19010-05511	*BLOCK ASSY. Blade	1		28	14203-10908	**O-RING	2	
4	19010-01901	*HOUSING. Outlet	1		29	15131-00004	*ADAPTOR	2	
5	19010-00161	**COVER	2		30	14203-10908	**O-RING	2	
6	19010-03031	**SPOOL. End	2		31	15131-00005	*ADAPTOR	3	
7	19010-00151	**HOLDER. Spring	4		32	14203-10910	**O-RING	3	
8	19010-00155	**SPRING	2		33	15135-00002	*PLUG	1	
9	19010-01846	**SEAL. Dust	2		34	15135-00003	*PLUG	1	
10	14212-00100	**RING. Back-Up	2		35	15018-20002	*PLUG	1	
11	14200-10160	**O-RING	2		36	14203-10910	*O-RING	2	
12	11205-20612	**SCREW. Pan Head	4		37	14330-20005	*BRACKET	2	
13	11400-10006	**WASHER. Spring	4		38	14330-30005	*LINK. Lever	2	
14	19010-00166	**PLUNGER. Check	2		39	00040-05117	*PIN	4	
15	19010-00157	**SPRING	2		40	12140-00005	*PIN. Snap	4	#27~#407
16	14200-10110	**O-RING	2			12140-00005	*PIN. Snap	2	#408~
17	15135-00001	**PLUG	2		41	11100-50618	*BOLT. Socket	4	
18	14203-10018	*O-RING	6		42	11400-10006	*WASHER. Spring	4	
19	14203-10030	*O-RING	3		43	14200-00160	*O-RING	2	OLD TYPE
20	19010-03006	*TIE ROD	3		44	14212-00100	*RING. Back-Up	2	OLD TYPE
21	11310-50012	*NUT	6		45	19010-00141	*SEAL. Holder	2	OLD TYPE
22	11411-00012	*WASHER. Plain	6		46	12100-01210	*PIN. Split	2	#408~
23	19010-00013	*VALVE. Relief	1						
24	19010-00045	*VALVE. Overload	2						

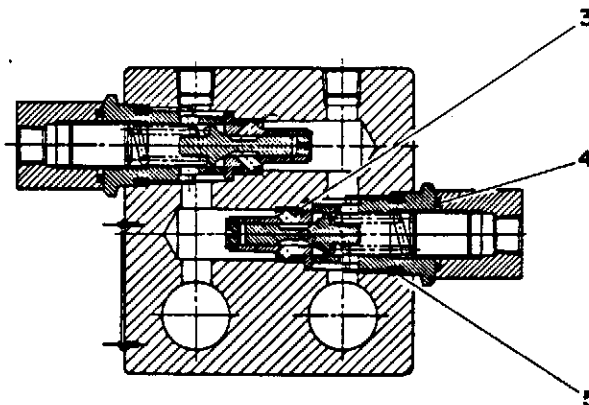
NOTE Item 43 +44+45 → Item 9 ... Interchangeable

134

FIG. 39 BRAKE VALVE & D. S. VALVE



BRAKE VALVE



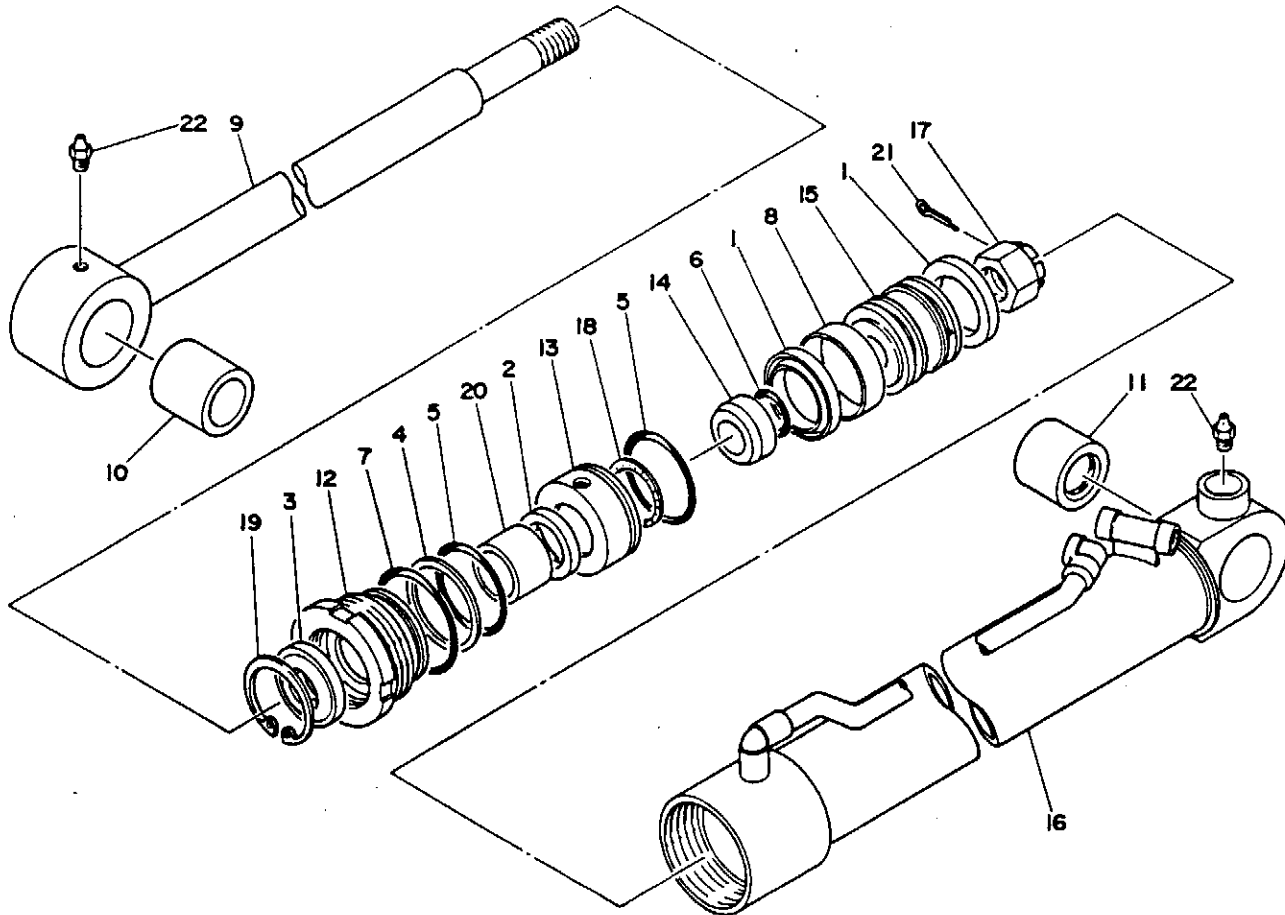
DOUBLE SAFETY VALVE

QTY	PARTS NUMBER	DESCRIPTION	QTY	REMARKS
0-1	19015-00500	VALVE, Brake	3	
1	14200-10110	*O-RING	2	
2	14200-10200	*O-RING	2	
0-2	19016-10700	*VALVE, D. S.	1	
3	14200-10140	*O-RING	2	
4	14200-10200	*O-RING	2	
5	14200-10221	*O-RING	2	

NOTE

#408 -

FIG. 40-1 BOOM CYLINDER

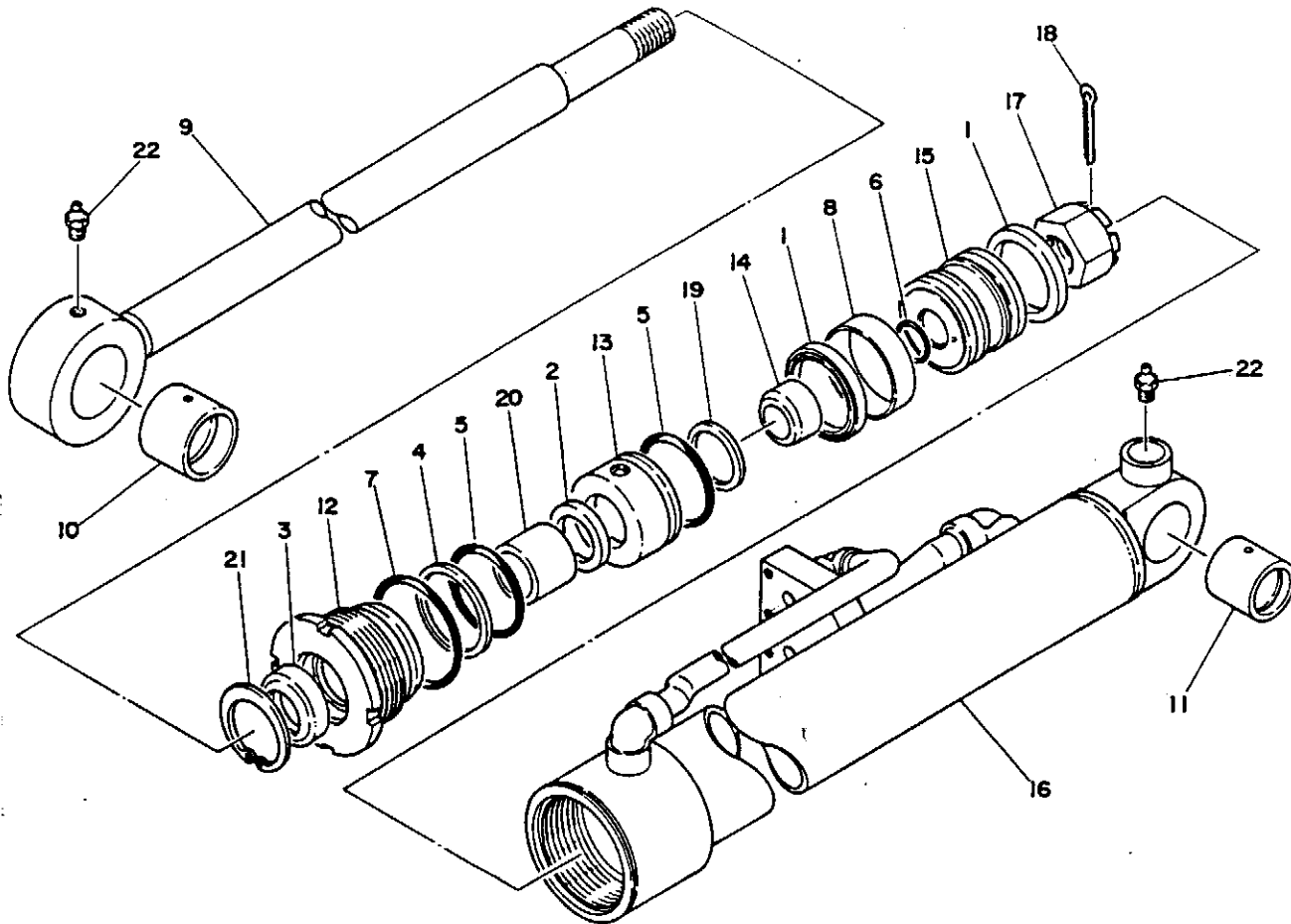


Item	PARTS NUMBER	DESCRIPTION	Qty	REMARKS	Item	PARTS NUMBER	DESCRIPTION	Qty	REMARKS
0-1	19000-03700	CYLINDER ASSY (R. H)	1		22	15600-01000	*NIPPLE, Grease	2	
0-2	19000-03800	CYLINDER ASSY (L. H)	1						
0-3	19000-00399	*KIT, Seal	1						
1	14100-60506	**PACKING, Piston	2						
2	14110-00035	**PACKING, Rod	1						
3	14111-00035	**SEAL, Dust	1						
4	14211-20600	**RING, Back-up	1						
5	14201-10600	**O-RING	2						
6	14200-10240	**O-RING	1						
7	14201-10700	**O-RING	1						
8	14107-06016	*WEARING	1						
9	19000-03701	*ROD, Piston	1						
10	19000-03702	*BUSHING	1						
11	19000-03720	*BUSHING	1						
12	19000-00303	*COVER, Rod	1						
13	19000-03704	*RETAINER	1						
14	19000-03705	*CUSHION, Rod	1						
15	19000-90306	*PISTON	1						
16	19000-03707	*TUBE (R. H)	1						
16-1	19000-03807	*TUBE (L. H)	1						
17	19000-00309	*NUT	1						
18	14300-00040	*SEAL, Cushion	1						
19	12210-00052	*RING, Snap	1						
20	13330-03530	*BUSHING	1						
21	12100-00545	*PIN, Split	1						
<p>NOTE For France#27~#183, For U.S.A & China#27~.</p>									

NOTE

For France#27~#183, For U.S.A & China#27~.

FIG. 40-2 BOOM CYLINDER



Item	PARTS NUMBER	DESCRIPTION	Q'ty	REMARKS	Item	PARTS NUMBER	DESCRIPTION	Q'ty	REMARKS
0-1	19000-08400	CYLINDER ASSY (R. H)	1		22	15600-01000	*NIPPLE, Grease	2	
0-2	19000-08300	CYLINDER ASSY (L. H)	1						
0-3	19000-00399	*KIT, Seal	1						
1	14100-60506	**PACKING, Piston	2						
2	14110-00035	**PACKING, Rod	1						
3	14111-00035	**SEAL, Dust	1						
4	14211-20600	**RING, Back-Up	1						
5	14201-10600	**O-RING	2						
6	14200-10240	**O-RING	1						
7	14201-10700	**O-RING	1						
8	14107-06016	*RING, Wear	1						
9	19000-03701	*ROD, Piston	1						
10	19000-03702	*BUSHING	1						
11	19000-03720	*BUSHING	1						
12	19000-00303	*COVER, Rod	1						
13	19000-03704	*RETAINER	1						
14	19000-03705	*CUSHION, Rod	1						
15	19000-00306	*PISTON	1						
16	19000-08407	*TUBE (R. H)	1						
16-1	19000-08307	*TUBE (L. H)	1						
17	19000-00309	*NUT	1						
18	12100-00545	*PIN, Split	1						
19	14300-00040	*SEAL, Cushion	1						
20	13330-03530	*BUSHING	1						
21	12210-00052	*RING, Soap	1						

NOTE

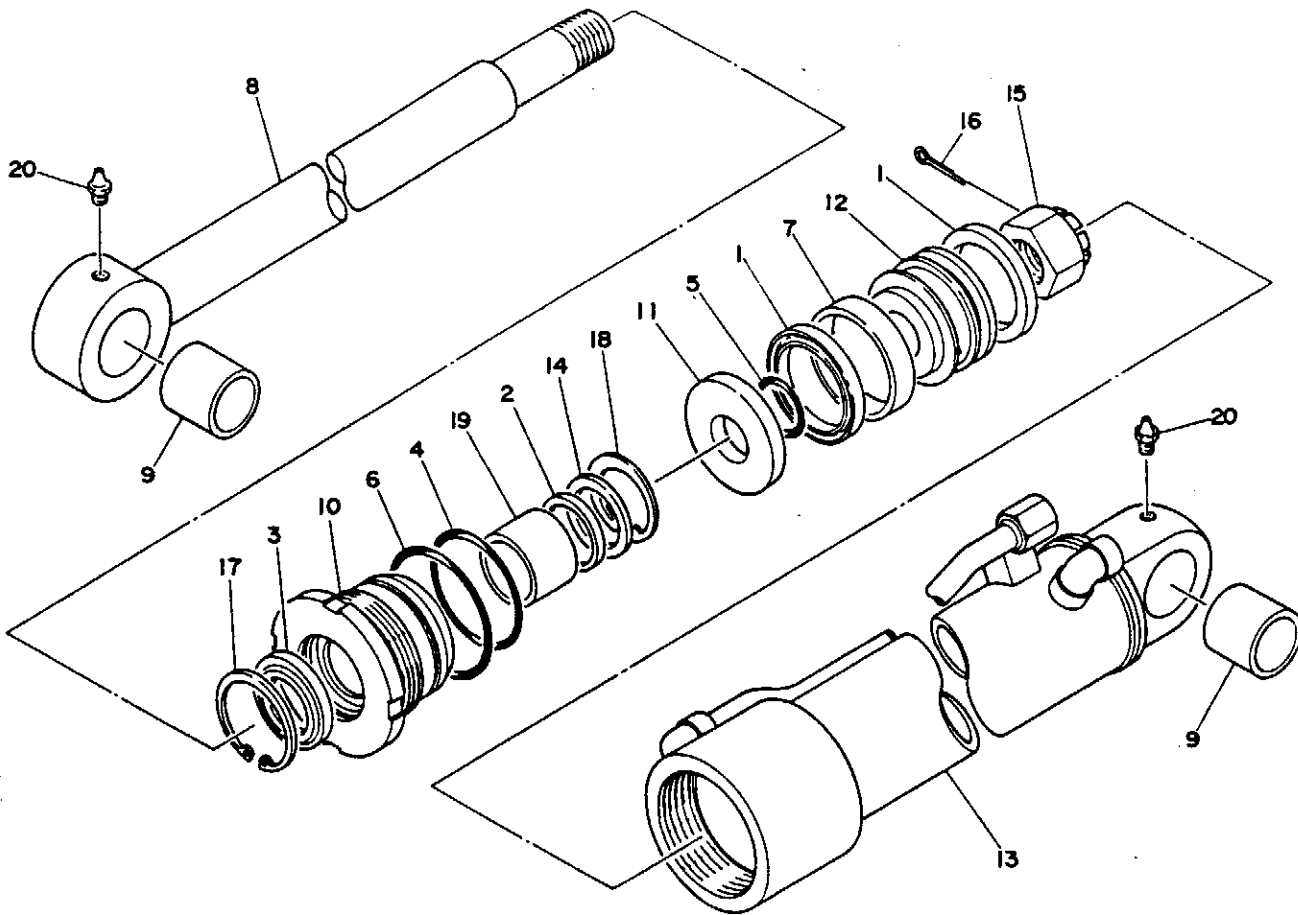
For Franco#184 ~.

NOTE For Franco#184 ~.

Rev. D

Rev. D

FIG. 41-1 ARM CYLINDER

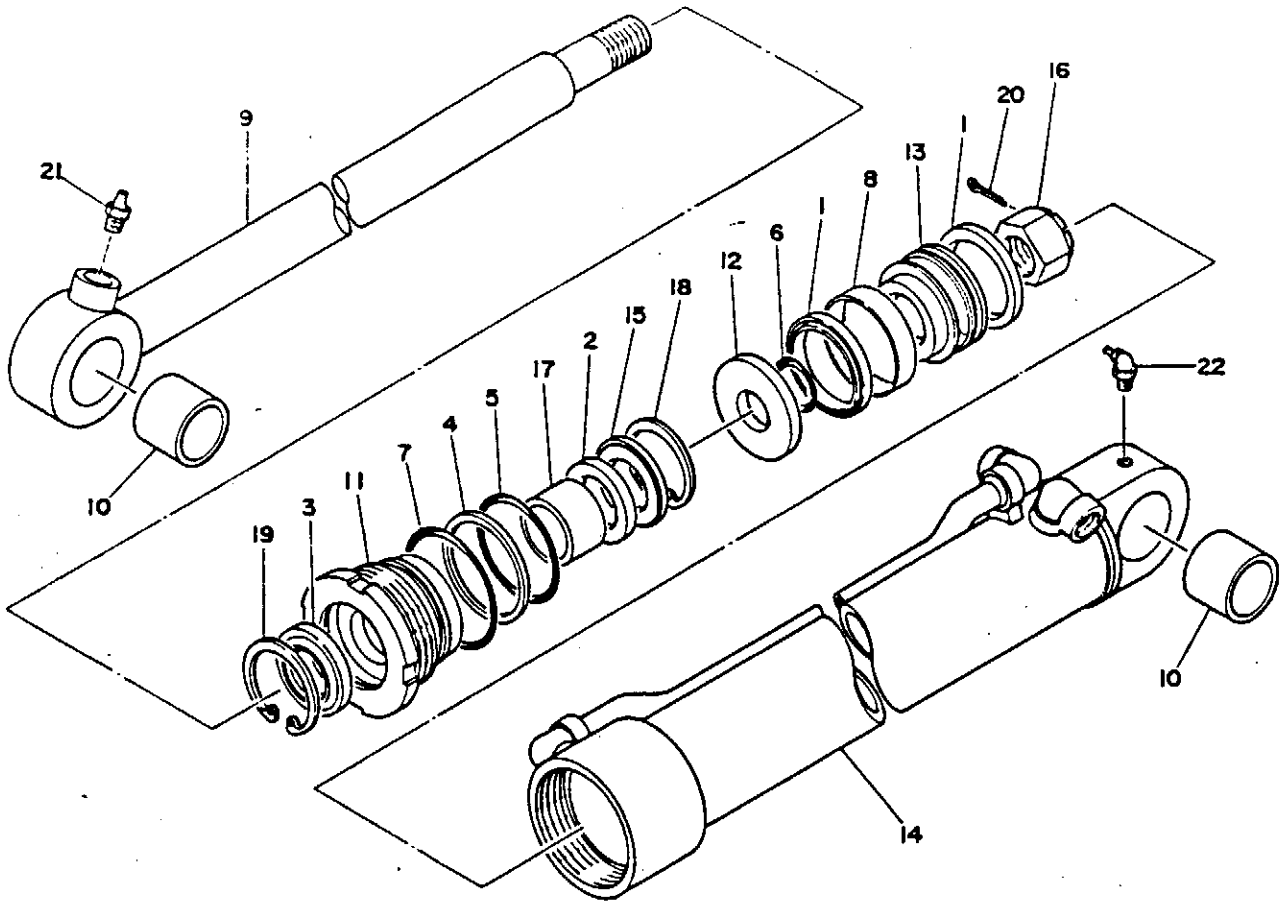


QTY	PARTS NUMBER	DESCRIPTION	QTY	REMARKS
0-1	19000-03900	CYLINDER ASSY	1	
0-2	19000-02899	*KIT. Seal	1	
1	14100-80659	**PACKING. Piston	2	
2	14110-00045	**PACKING. Rod	1	
3	14111-00045	**SEAL. Dust	1	
4	14200-10750	**O-RING	1	
5	14201-10350	**O-RING	1	
6	14201-10900	**O-RING	1	
7	14107-08017	*RING. Wear	1	
8	19000-03901	*ROD. Piston	1	
9	19000-00102	*BUSHING	2	
10	19000-02203	*COVER. Rod	1	
11	19000-02255	*HOLDER. Packing	1	
12	19000-92206	*PISTON	1	
13	19000-03907	*TUBE	1	
14	19000-02208	*PACKING HOLDER. Rod	1	
15	19000-02209	*NUT	1	
16	12100-00660	*PIN. Split	1	
17	12210-00063	*RING. Snap	1	
18	12210-00060	*RING. Snap	1	
19	13330-04540	*BUSHING	1	
20	15600-01000	*NIPPLE. Grease	2	

NOTE

For France #27-#183. For U.S.A. & China # 27 -

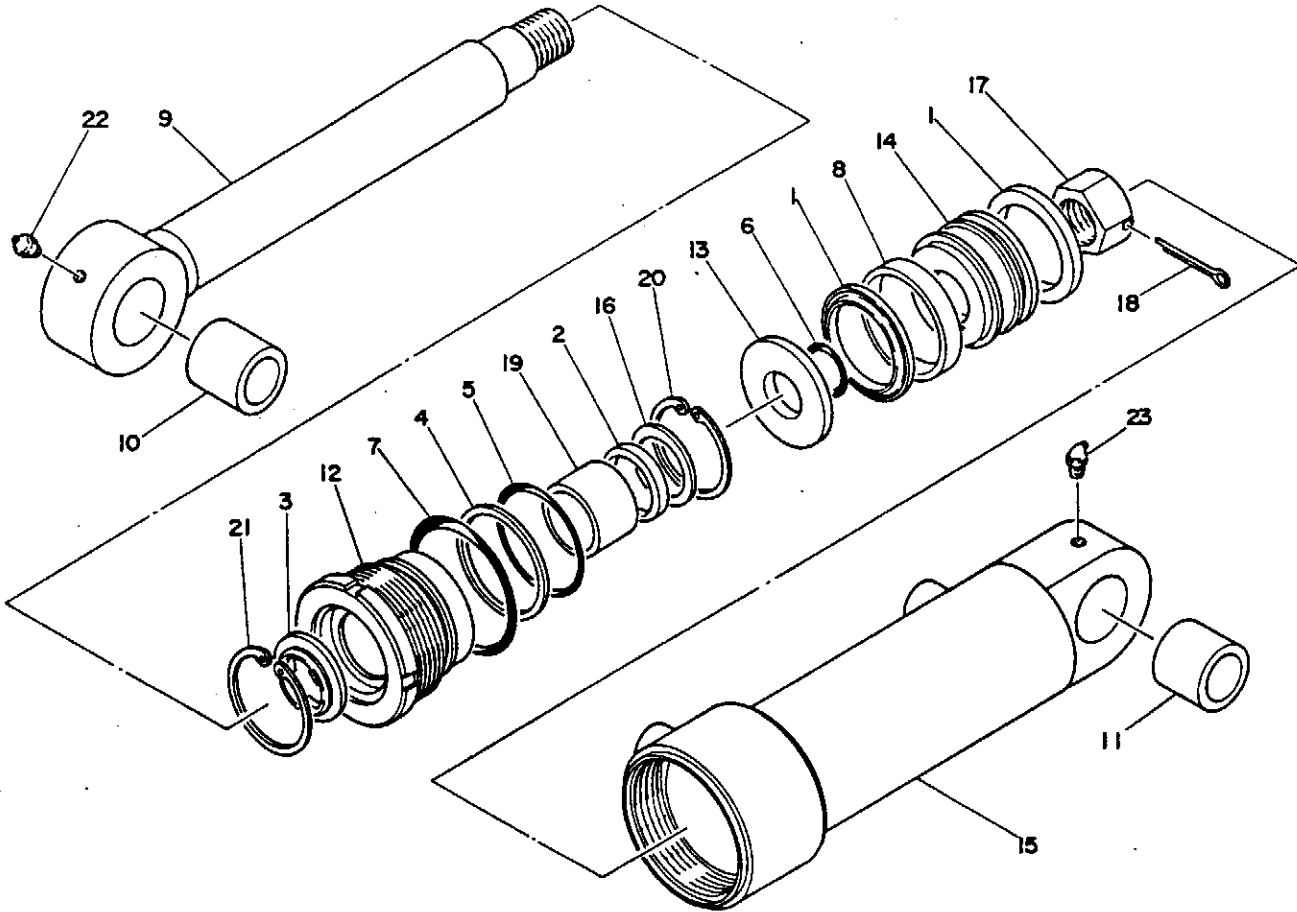
FIG. 42 BUCKET CYLINDER



Item	PARTS NUMBER	DESCRIPTION	Qty	REMARKS
01	19000-04000	CYLINDER ASSY	1	
02	19000-00599	*KIT. Seal	1	
1	14100-70606	**PACKING. Piston	2	
2	14110-00040	**PACKING. Rod	1	
3	14111-00040	**SEAL. Dust	1	
4	14211-20700	**RING. Back-up	1	
5	14201-10700	**O-RING	1	
6	14200-10280	**O-RING	1	
7	14201-10800	**O-RING	1	
8	14107-07016	**WEARING	1	
9	19000-04001	*ROD. Piston	1	
10	19000-00502	*BUSHING	2	
11	19000-00503	*COVER. Rod	1	
12	19000-00550	*HOLDER. Packing	1	
13	19000-90506	*PISTON	1	
14	19000-04007	*TUBE	1	
15	19000-00508	*PACKING HOLDER. Rod	1	
16	19000-00509	*NUT	1	
17	19000-04030	*BUSHING	1	
18	12210-00055	*RING. Snap	1	
19	12210-00058	*RING. Snap	1	
20	12100-00555	*PIN. Split	1	
21	15600-01000	*NIPPLE. Grease	1	
22	15600-01000	*NIPPLE. Grease	1	

144

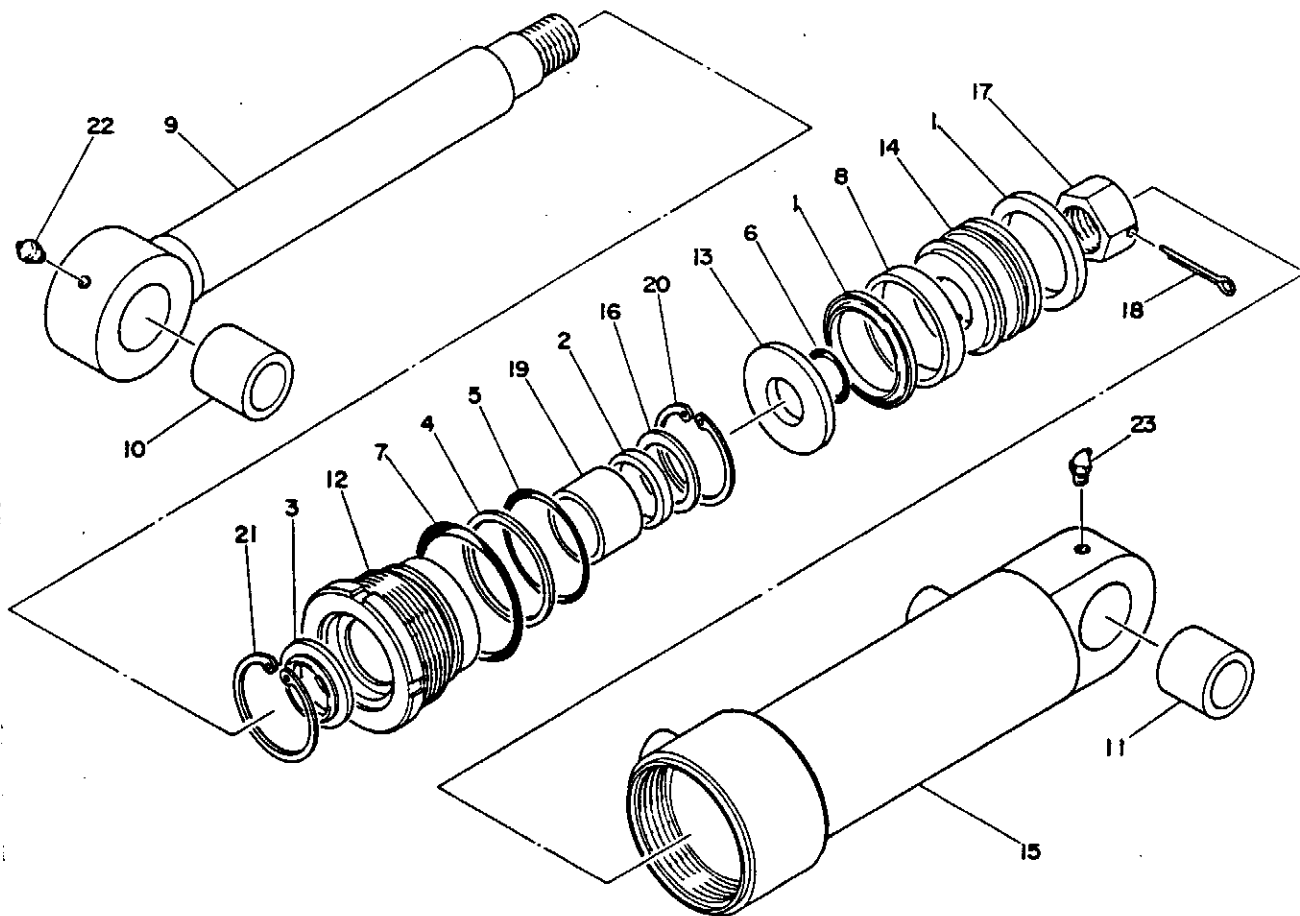
FIG. 43 BLADE CYLINDER



Qty	PARTS NUMBER	DESCRIPTION	REMARKS	Qty	PARTS NUMBER	DESCRIPTION	REMARKS
1	19000-07100	CYLINDER ASSY (R. H.)		1	2	15600-01000	*NIPPLE, Grease
1	19000-07200	CYLINDER ASSY (L. H.)		1	23	15600-01675	*NIPPLE, Grease
1	19000-00599	*KIT, Seal					
2	14100-70606	**PACKING, Piston					
1	14110-00040	**PACKING, Rod					
			NOTE				
1	14111-00040	**SEAL, Dust					#137 ~
1	14211-20700	**RING, Back-Up					
1	14201-10700	**O-RING					
1	14200-10280	**O-RING					
1	14201-10800	**O-RING					
1	14107-07011	*WEARING					
1	19000-07101	*KUD, Piston					
1	19000-00702	*BUSHING					
1	19000-00120	*BUSHING					
1	19000-00503	*COVER, Rod					
1	19000-00550	*HOLDER, Packing					
1	19000-00706	*PISTON					
1	19000-00707	*TUBE (R. H.)					
1	19000-00807	*TUBE (L. H.)					
1	19000-00508	*PACKING HOLDER, Rod					
1	19000-07109	*NUT					
1	12100-00050	*PIN, Split					
1	13330-04030	*BUSHING					
1	12210-00065	*RING, Snap					
1	12210-00066	*RING, Snap					
		NOTE #137 ~					
		Rev. Q					Rev. Q

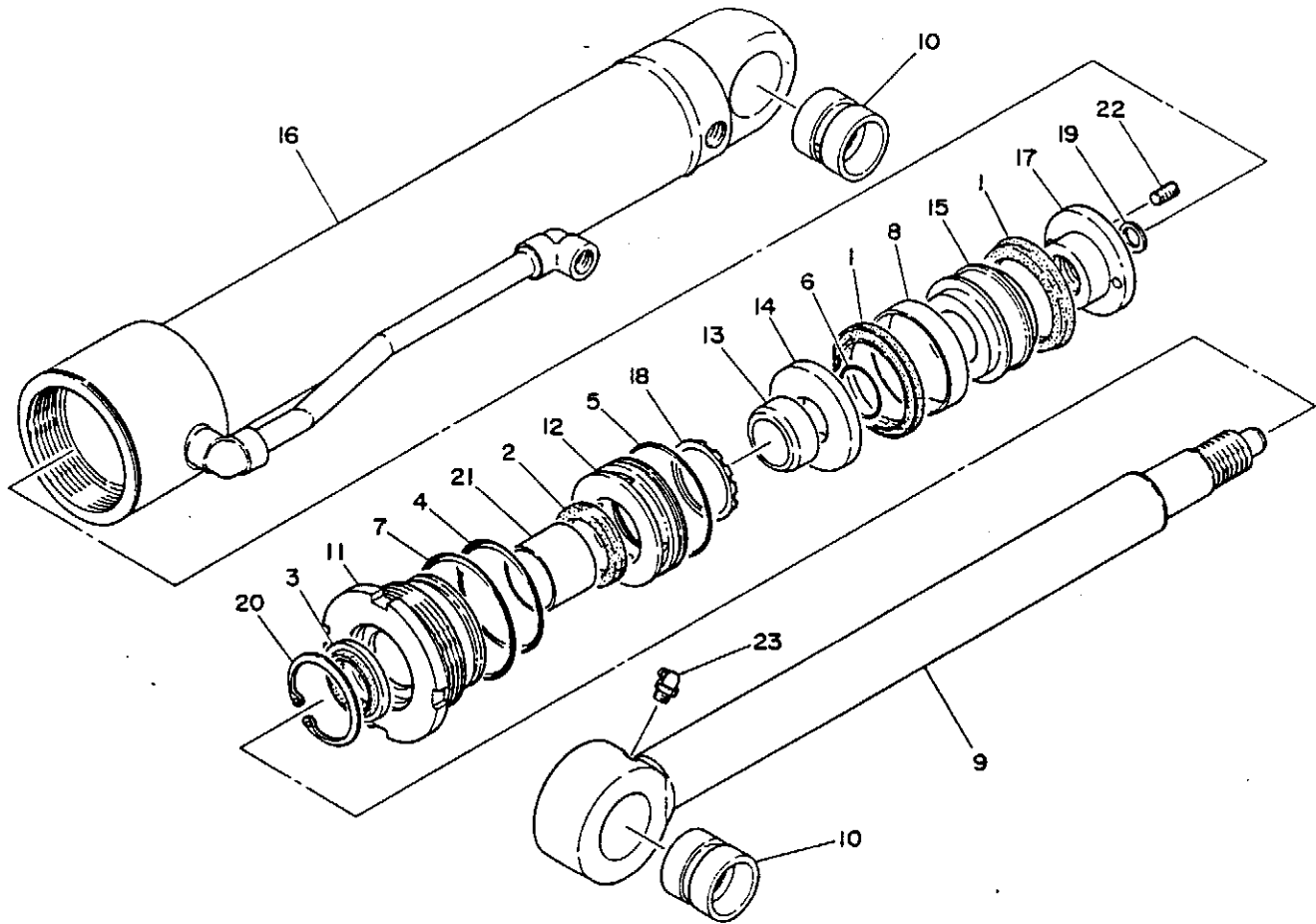
144

FIG. 43 BLADE CYLINDER



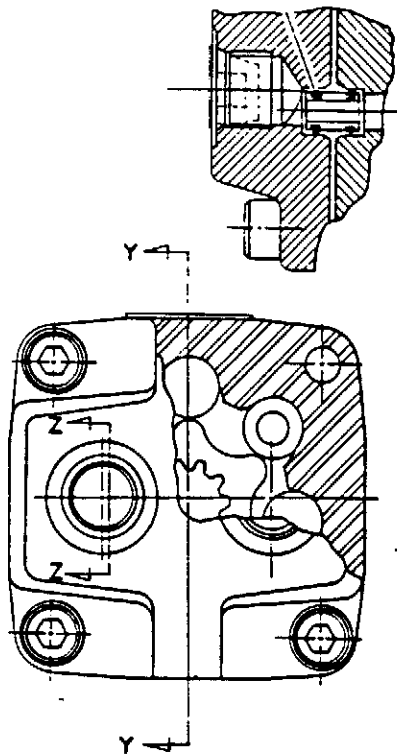
Item	PARTS NUMBER	DESCRIPTION	Qty	REMARKS	Item	PARTS NUMBER	DESCRIPTION	Qty	REMARKS
0-1	19000-07100	CYLINDER ASSY (R. H.)	1		2	15600-01000	*NIPPLE Grease	1	
0-2	19000-07200	CYLINDER ASSY (L. H.)	1		3	15600-01675	*NIPPLE Grease	1	
0-3	19000-00599	*KIT, Seal	1		NOTE				
1	14100-70606	**PACKING, Piston	2		#137 -				
2	14110-00040	**PACKING, Rod	1						
3	14111-00040	**SEAL, Dust	1						
4	14211-20700	**RING, Back-Up	1						
5	14201-10700	**O-RING	1						
6	14200-10280	**O-RING	1						
7	14201-10800	**O-RING	1						
8	14107-07011	*WEARING	1						
9	19000-07101	*ROD, Piston	1						
10	19000-00702	*BUSHING	1						
11	19000-00720	*BUSHING	1						
12	19000-00503	*COVER, Rod	1						
13	19000-00550	*HOLDER, Packing	1						
14	19000-00706	*PISTON	1						
15	19000-00707	*TUBE (R. H.)	1						
15-1	19000-00807	*TUBE (L. H.)	1						
16	19000-00508	*PACKING HOLDER, Rod	1						
17	19000-07109	*NUT	1						
18	12100-00550	*PIN, Split	1						
19	13330-04030	*BUSHING	1						
20	12210-00055	*RING, Snap	1						
21	12210-00056	*RING, Snap	1						
	NOTE	#137 -							

FIG. 44 SWING CYLINDER



QTY	PARTS NUMBER	DESCRIPTION	Q'ty	REMARKS
0-1	19000-00100	CYLINDER ASSY	1	
0-2	19000-00199	*KIT. Seal	1	
1	14100-80659	**PACKING. Piston	2	
2	14110-00045	**PACKING. Rod	1	
3	14111-00045	**SEAL. Dust	1	
4	14200-10750	**O-RING	1	
5	14201-10800	**O-RING	1	
6	14201-10350	**O-RING	1	
7	14201-10900	**O-RING	1	
8	14107-08017	*RING. Wear	1	
9	19000-00101	*ROD. Piston	1	
10	19000-00102	*BUSHING	2	
11	19000-00103	*COVER. Rod	1	
12	19000-00104	*RETAINER	1	
13	19000-00105	*CUSHION. Rod	1	
14	19000-00155	*HOLDER. Packing	1	
15	19000-00106	*PISTON	1	
16	19000-00107	*TUBE	1	
17	19000-00109	*NUT	1	
18	14300-00050	*SEAL. Cushion	1	
19	14300-00020	*SEAL. Cushion	1	
20	12210-00053	*RING. Snap	1	
21	13330-04540	*BUSHING	1	
22	12210-50810	*SET. Screw	1	
23	15600-01300	*NIPPLE. Grease	1	

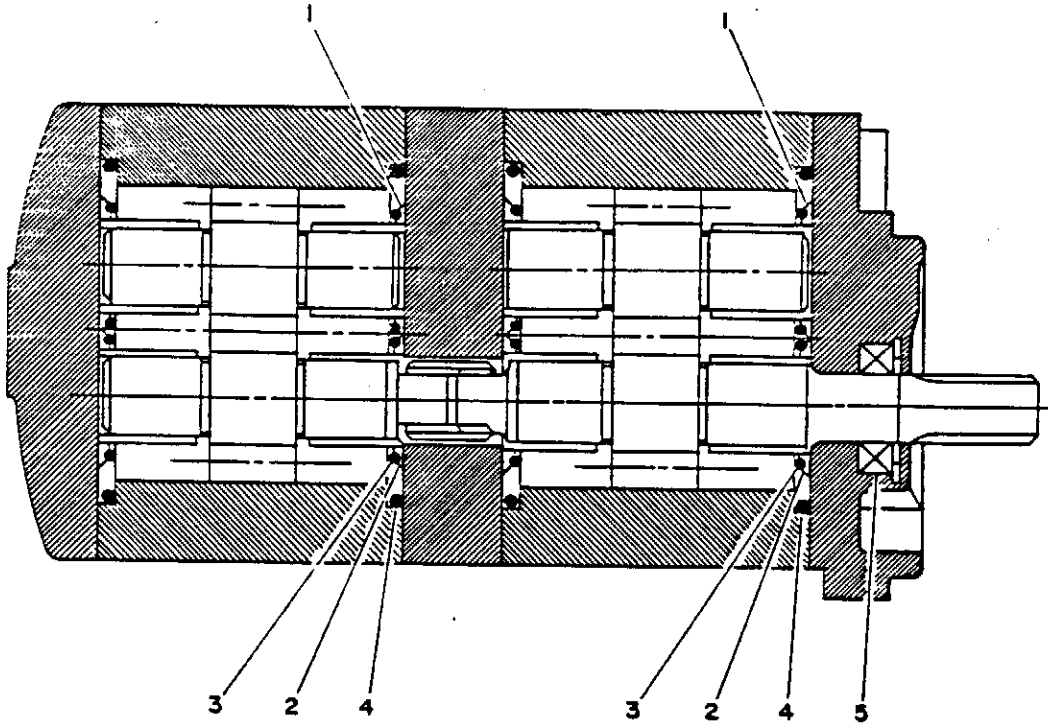
SECTION Z-Z



SECTION Y-Y

QTY	PARTS NUMBER	DESCRIPTION	QTY	REMARKS
2	19030-00900	MOTOR ASSY. Traction	2	
1	19030-01400	MOTOR ASSY. Slew	1	
1	19030-00999	**KIT, Seal	1	
2	*****	**O-RING	2	
1	*****	**O-RING	1	
1	*****	**SPACER	1	
1	*****	**X-RING	1	
1	*****	**RING, Back-Up	1	
1	*****	**WIPER	1	
4	*****	**O-RING	4	

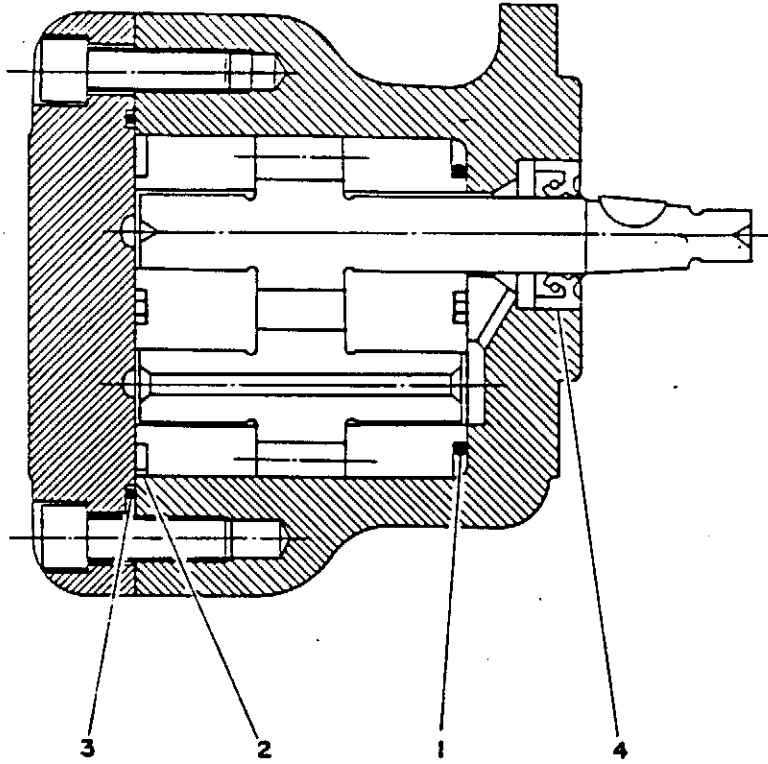
FIG. 46 HYDRAULIC PUMP, MAIN



Item	PARTS NUMBER	DESCRIPTION	Qty	REMARKS
31	19020-01100	PUMP ASSY	1	
32	19020-01199	**KIT. Seal	1	
1		**RING. Packing (R. H)	4	
2		**RING. Packing (L. H)	4	
3		**SEAL. Bushing	4	
4		**SEAL. Body	4	
5		**SEAL. Oil	1	

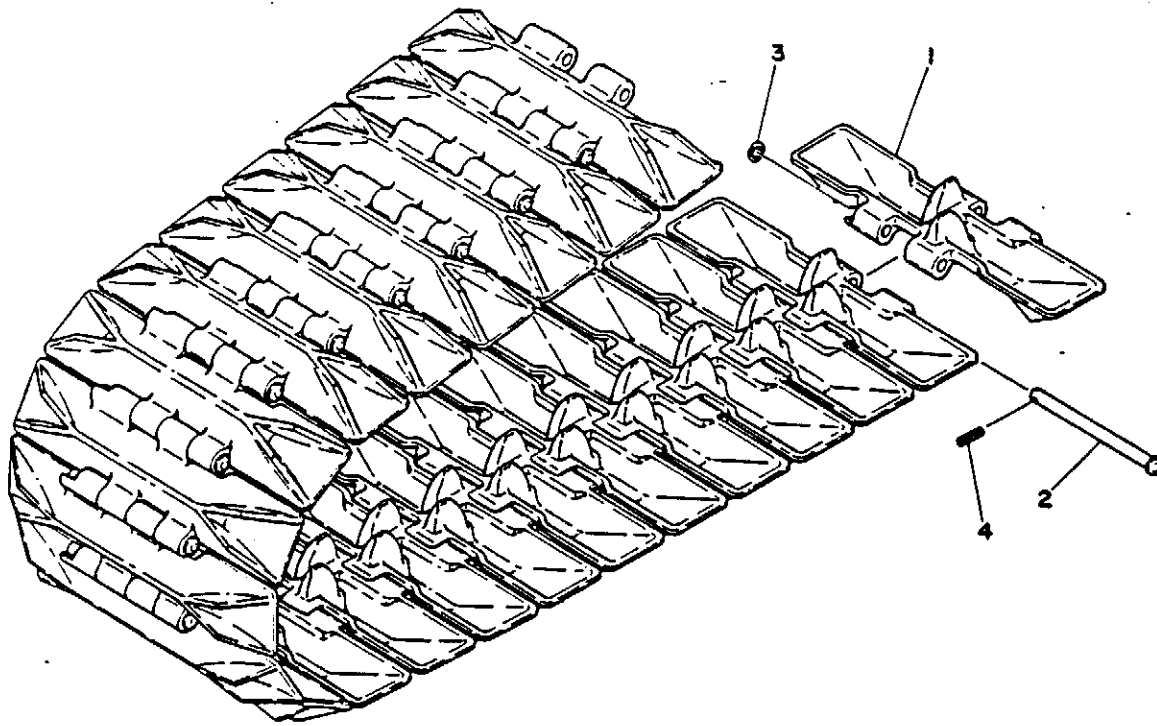
Handwritten mark: H-54

FIG. 47 HYDRAULIC PUMP, BLADE



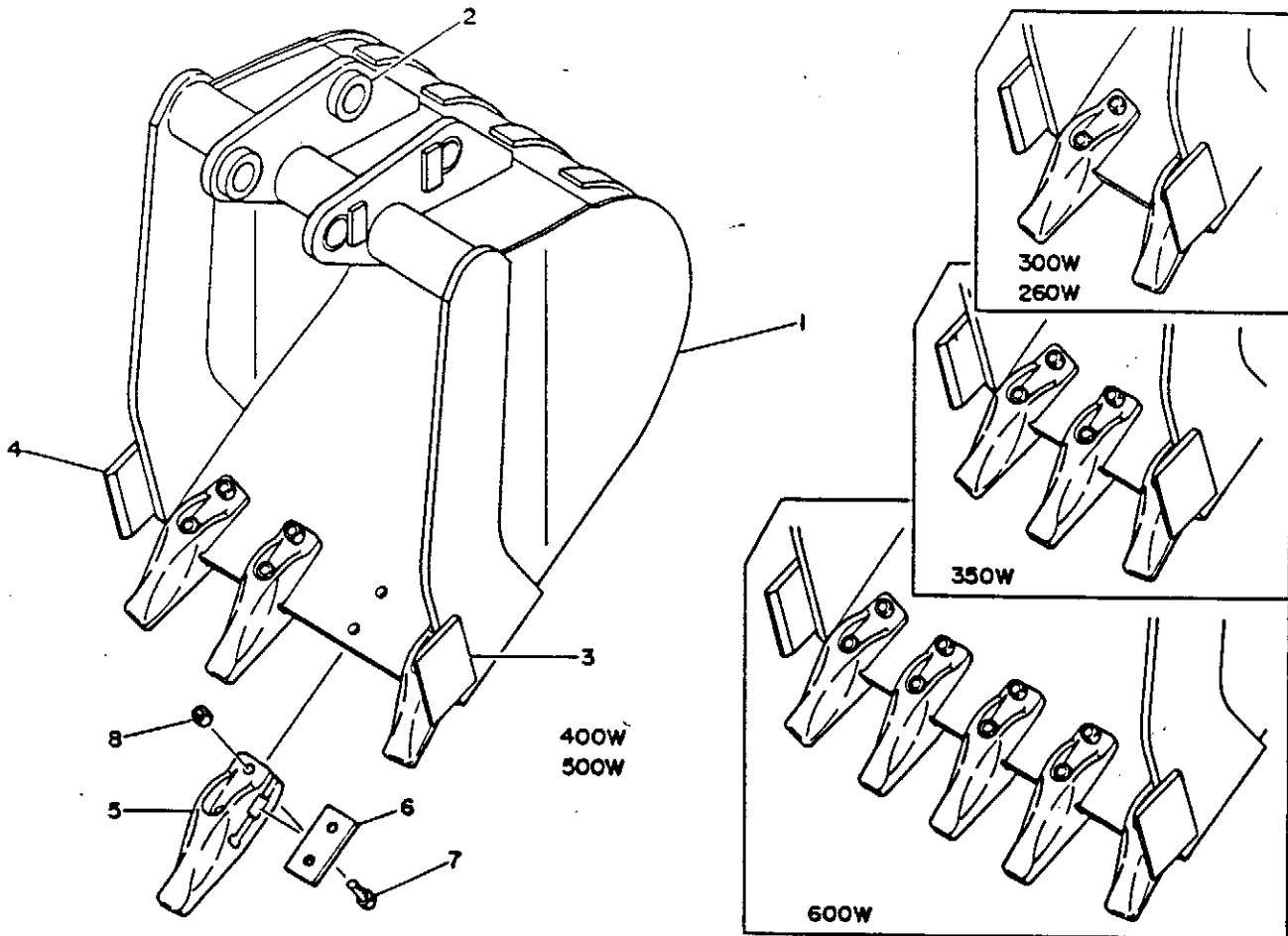
QTY	PARTS NUMBER	DESCRIPTION	QTY	REMARKS
01	19020-01600	PUMP ASSY. Sub	1	
02	19020-01699	*KIT. Seal	1	
1	*****	**O-RING	2	
2	*****	**RING, Sealing	2	
3	*****	**O-RING	1	
4	*****	**SEAL, Oil	1	

FIG. 43 TRIANGULAR SHOE



PARTS NUMBER	DESCRIPTION	Qty	REMARKS
0-1	19140-02400 TRIANGULAR SHOE ASSY	2	
1	19140-02101 *SHOE, Triangular	2	
2	19140-00102 *PIN, Track	2	
3	19140-00103 *WASHER	2	
4	12130-00620 *PIN, Spring	2	

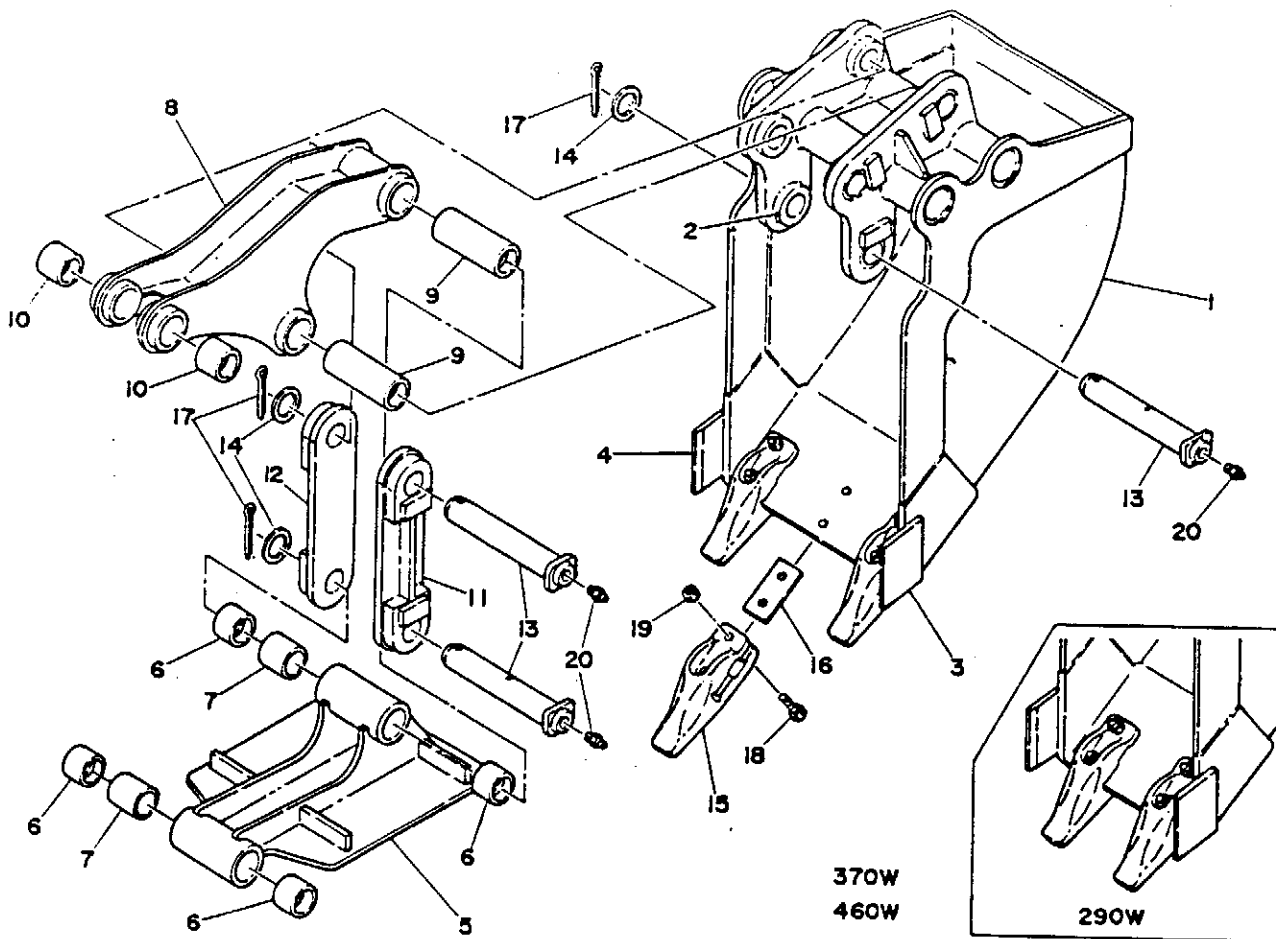
FIG. 49 BUCKET



Q'ty	PARTS NUMBER	DESCRIPTION	Q'ty	REMARKS
0-1	01362-13500	BUCKET ASSY	1	
	01362-15500	BUCKET ASSY	1	
	01362-17500	BUCKET ASSY	1	
	01362-18500	BUCKET ASSY	1	
1	01362-13600	*BUCKET	1	
	01362-15600	*BUCKET	1	
	01362-17600	*BUCKET	1	
	01362-18600	*BUCKET	1	
2	00029-00003	*BUSHING	4	
3	01162-10612	**CUTTER. Side (RH)	1	
4	01162-10613	**CUTTER. Side (LH)	1	
5	01362-09900	*TOOTH	2	
	01362-09900	*TOOTH	3	
	01362-09900	*TOOTH	4	
	01362-09900	*TOOTH	5	
6	01362-09801	*SHIM	12	
	01362-09802	*SHIM	12	
	01362-09803	*SHIM	12	
7	11010-51245	*BOLT	4	
	11010-51245	*BOLT	5	
	11010-51245	*BOLT	8	
	11010-51245	*BOLT	10	
8	11305-50012	*NUT	1	
	11305-50012	*NUT	5	
	11305-50012	*NUT	3	

Q'ty	PARTS NUMBER	DESCRIPTION	Q'ty	REMARKS
8	11305-50012	*NUT	10	

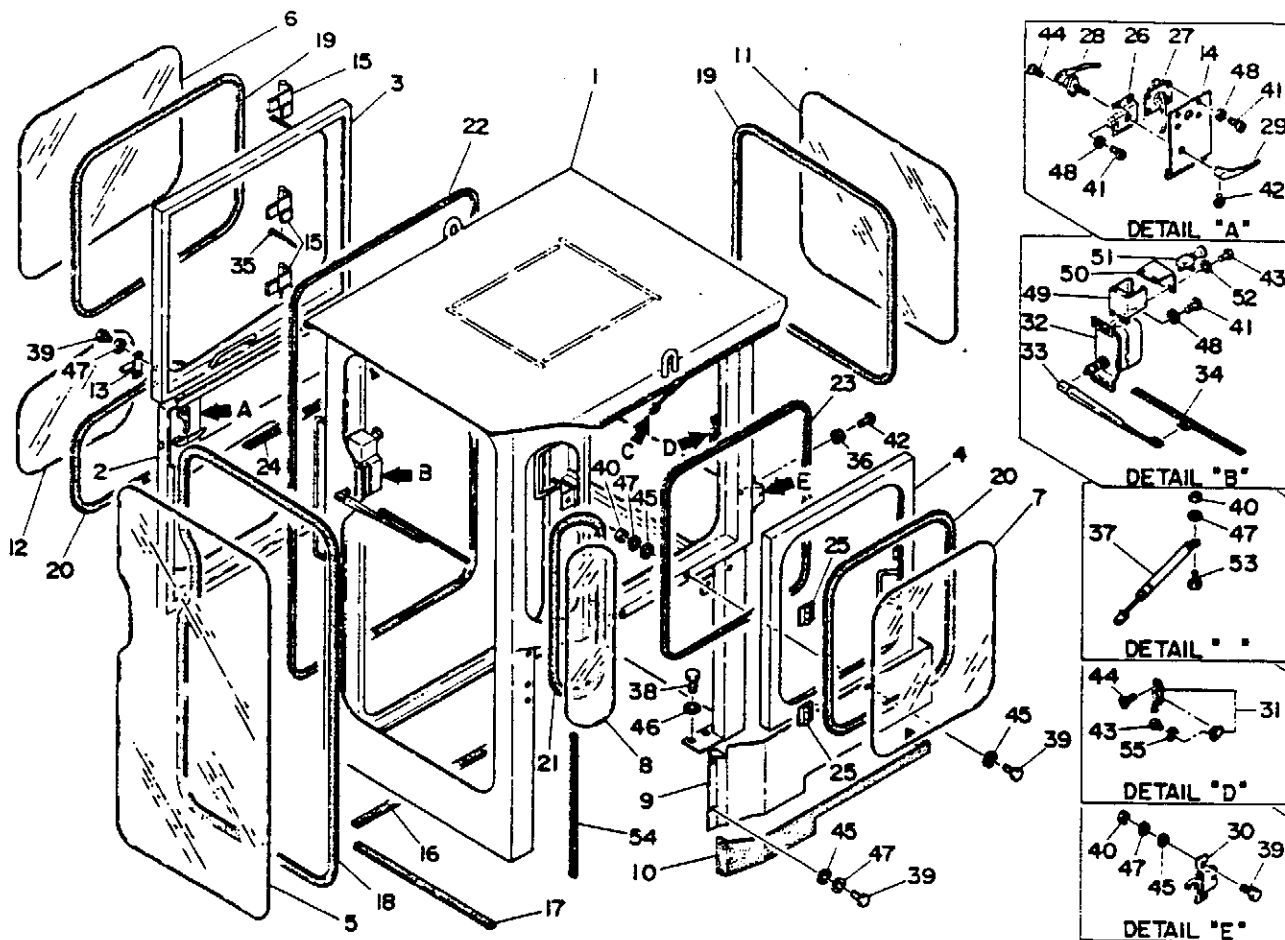
120



QTY	PARTS NUMBER	DESCRIPTION	QTY	REMARKS
01	01362-31000	BUCKET ASSY, Ejector	1	
	01362-32000	BUCKET ASSY, Ejector	1	
	01362-33000	BUCKET ASSY, Ejector	1	
1	01362-31100	*BUCKET	1	
	01362-32100	*BUCKET	1	
	01362-33100	*BUCKET	1	
2	00029-00003	**BUSHING	6	
3	01162-10612	**CUTTER, Side (RH)	1	
4	01162-10613	**CUTTER, Side (LH)	1	
02	01362-90010	*EJECTOR ASSY	1	
	01362-90020	*EJECTOR ASSY	1	
	01362-90030	*EJECTOR ASSY	1	
5	01362-30200	**EJECTOR	1	
	01362-40200	**EJECTOR	1	
	01362-50200	**EJECTOR	1	
6	00021-00001	**BUSHING	4	
7	00030-36047	**COLLAR	2	
03	01362-90012	*LINK ASSY, Arm	1	
8	01362-30300	**LINK, Arm	1	
9	00021-00003	**BUSHING	2	
10	00021-00002	**BUSHING	2	
11	01362-30400	*LINK, Ejector (RH)	1	
12	01362-30500	*LINK, Ejector (LH)	1	
13	00013-35205	*PIN	3	
14	00030-35000	*COLLAR	2	

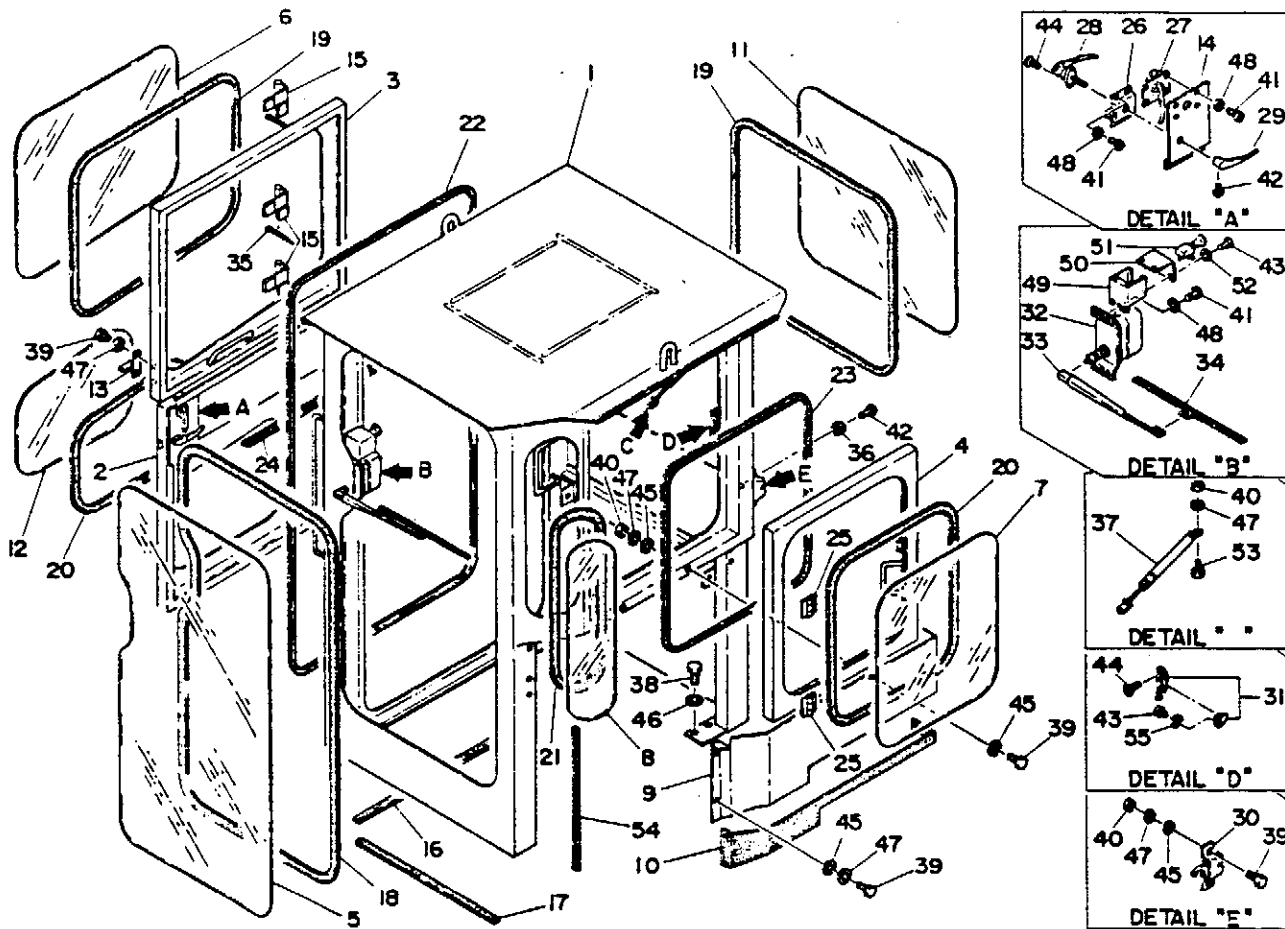
QTY	PARTS NUMBER	DESCRIPTION	QTY	REMARKS
	14	00030-35001 *COLLAR	2	
		00030-35002 *COLLAR	2	
		00030-35003 *COLLAR	2	
		00030-35004 *COLLAR	2	
		00030-35005 *COLLAR	2	
15	01362-09900	*TOOTH	3	
	01362-09900	*TOOTH	3	
16	01362-09801	*SHIM	2	
	01362-09802	*SHIM	2	
	01362-09803	*SHIM	2	
17	12100-00850	*PIN, Split	3	
18	11010-51245	*BOLT	6	
	11010-51245	*BOLT	4	
19	11305-50012	*NUT	6	
	11305-50012	*NUT	4	
20	15600-01000	*NIPPLE, Grease	3	

FIG. 51 CABIN



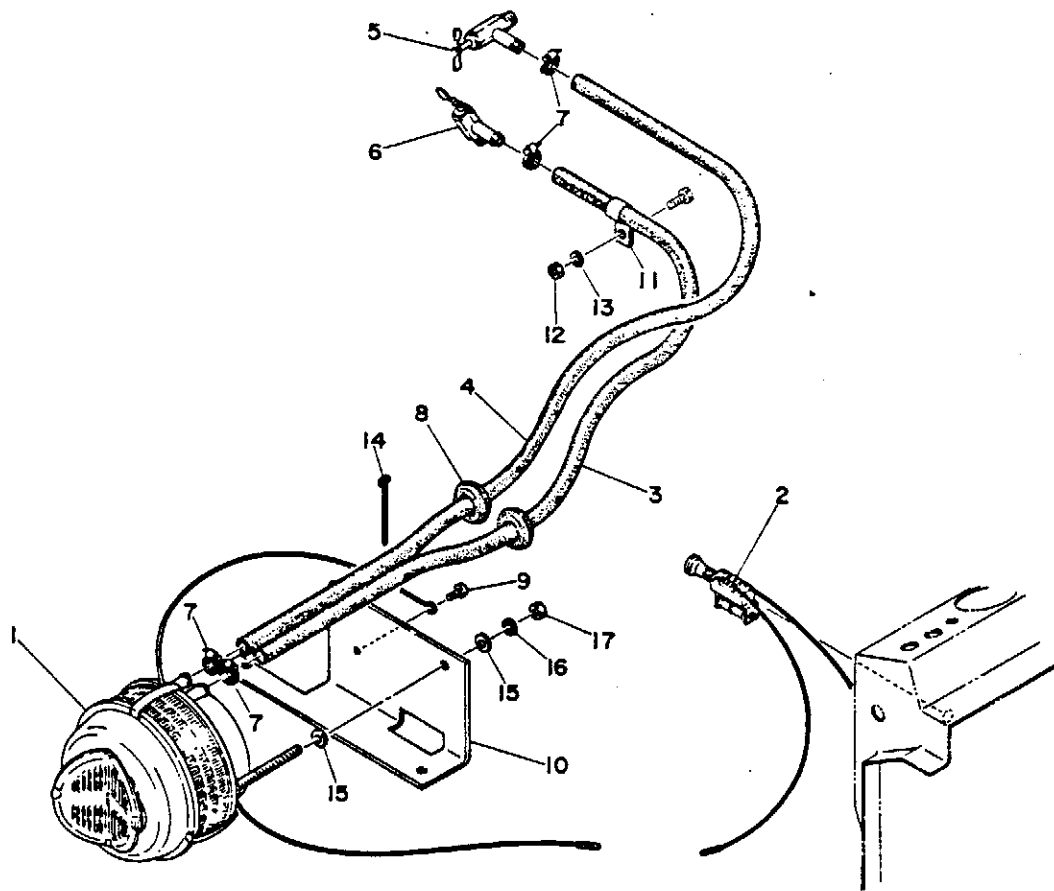
Qty	PARTS NUMBER	DESCRIPTION	REMARKS	Qty	PARTS NUMBER	DESCRIPTION	REMARKS
01	01586-00000	CABIN Assy	1	15	16532-04103	*HINGE	2
1	01586-90001	*CABIN	1	26	16536-92880	*LOCK, Door	1
2	01586-00300	*DOOR	1	27	16536-11312	*LOCK, Door	1
2	01586-00400	*DOOR	1	28	16540-00201	*HANDLE	1
4	01586-00500	*DOOR	1	29	16540-00300	*HANDLE	1
5	01586-02000	*GLASS	1	30	16536-10304	*CATCH, Door	1
6	01586-00600	*GLASS	1	31	00986-90011	*LATCH Assy	1
7	01586-00700	*GLASS	1	32	17040-46012	*MOTOR, Wiper	1
8	01586-00800	*GLASS	1	33	17041-09200	*ARM, Wiper	1
9	01586-00900	*COVER	1	34	17042-06350	*BLADE, Wiper	1
10	01586-01000	*RUBBER, Plate	1	35	12100-00330	*PIN, Split	4
11	01586-02100	*GLASS	1	36	16521-03220	*FOOT, Rubber	1
12	01586-02200	*GLASS	1	37	16539-00006	*STAY, Damper	1
13	01586-01700	*CATCH	1	38	11000-51230	*BOLT	1
14	01586-01800	*COVER	1	39	11000-40216	*PIN	1
15	01586-90011	*HINGE Assy	4	40	11300-40008	*NUT	2
16	16543-02065	*SPONGE	1	41	11205-30610	*SCREW, Flat Head	16
17	16543-02054	*SPONGE	1	42	11205-30415	*SCREW, Flat Head	2
18	16542-52350	*H-RUBBER	1	43	11205-30410	*SCREW, Flat Head	1
19	16542-52230	*H-RUBBER	2	44	11206-30410	*SCREW, Flat Head	1
20	16542-52200	*H-RUBBER	2	45	11411-10008	*WASHER, Plain	10
21	16542-52140	*H-RUBBER	1	46	11400-20012	*WASHER, Spring	1
22	16545-20400	*RUBBER	1	47	11400-20008	*WASHER, Spring	10
23	16545-20230	*RUBBER	1	48	11400-20006	*WASHER, Spring	14
24	16545-20070	*RUBBER	1	49	01486-11700	*BOX, Switch	1

FIG. 51 CABIN



PARTS NUMBER	DESCRIPTION	QTY	REMARKS
50 01486-11800	*COVER	1	
51 17043-00002	*SWITCH	1	
52 11400-20004	*WASHER, Spring	4	
53 01382-55300	*BOLT	2	
54 16545-20048	*RUBBER	1	
55 11411-10004	*WASHER, Plain	2	

FIG. 52 HEATER



Item	PARTS NUMBER	DESCRIPTION	Qty	REMARKS
0-1	01545-00000	HEATER ASSY	1	
1	19115-00100	*HEATER	1	
2	19115-00200	*SWITCH. Heater	1	
3	19115-01800	*HOSE	1	
4	19115-01800	*HOSE	1	
5	19115-02100	*VALVE	1	
6	19115-02200	*VALVE	1	
7	19115-00500	*CLAMP	4	
8	16520-02802	*GROMMET	2	
9	11205-30510	*SCREW, Pan Head	1	
10	01545-00100	*BRACKET	1	
11	00073-00002	*CLAMP	1	
12	11300-30008	*NUT	1	
13	11400-20008	*WASHER, Spring	1	
14	16522-00007	*BAND	AS	
15	11411-10010	*WASHER, Plain	4	
16	11400-20010	*WASHER, Spring	2	
17	11305-40010	*NUT	2	