



Plant Hire Sales & Repair

Bergmann Dumper 3012 Three-way-tip

Ardoch Farm, Old Glasgow Road
Kilwinning, KA13 7QJ

www.kattrak.com

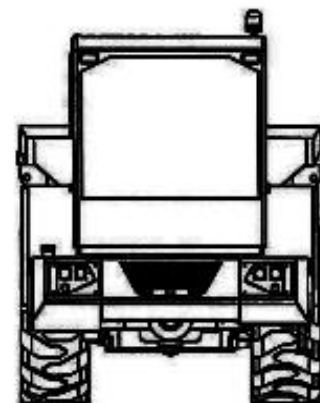
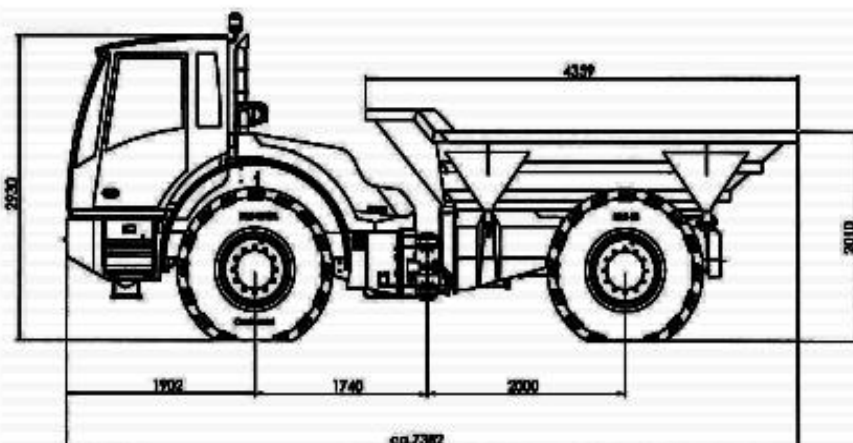
Email: info@kattrak.com

Tel: 01294 557835



Strong arguments for
your advantage

- ▶ high stability thanks to oscillating axle
- ▶ swivelling operator's stand
- ▶ electro hydraulic spring type cylinder park brake
- ▶ compact dimensions with low weight





Bergmann Dumper 3012 Three-way-tip

Technical Data

Weight / Bucket capacity	Payload	12.000 kg																													
	Unladen weight	10.020 kg																													
	Bucket capacity struck	4.400 l																													
	Bucket capacity heaped	7,5 m ³																													
	Bucket system	Hydraulical 3-way-tipper, change of sides by simply changing the socket pins																													
Dimensions	Height with cabine	2.900 mm																													
	Total length	7.380 mm																													
	Total width	2.500 mm																													
	Ground clearance	400 mm																													
Transmission	Load-dependending shift – manually shiftably by hand and automatically, self-adjusting optimisation of traction force and speed, speed control stepless forward and backwards, ZF-Ergo-Power transmission																														
	<table border="1"> <tbody> <tr> <td>1. gear</td> <td>F</td> <td>- 5 km/h</td> <td>2. gear</td> <td>F</td> <td>- 9 km/h</td> </tr> <tr> <td>3. gear</td> <td>F</td> <td>- 14 km/h</td> <td>4. gear</td> <td>F</td> <td>- 21 km/h</td> </tr> <tr> <td>5. gear</td> <td>F</td> <td>- 32 km/h</td> <td>6. gear</td> <td>F</td> <td>- 40 km/h</td> </tr> <tr> <td>1. gear</td> <td>R</td> <td>- 6 km/h</td> <td>2. gear</td> <td>R</td> <td>- 14 km/h</td> </tr> <tr> <td>3. gear</td> <td>R</td> <td>- 34 km/h</td> <td></td> <td></td> <td></td> </tr> </tbody> </table>	1. gear	F	- 5 km/h	2. gear	F	- 9 km/h	3. gear	F	- 14 km/h	4. gear	F	- 21 km/h	5. gear	F	- 32 km/h	6. gear	F	- 40 km/h	1. gear	R	- 6 km/h	2. gear	R	- 14 km/h	3. gear	R	- 34 km/h			
1. gear	F	- 5 km/h	2. gear	F	- 9 km/h																										
3. gear	F	- 14 km/h	4. gear	F	- 21 km/h																										
5. gear	F	- 32 km/h	6. gear	F	- 40 km/h																										
1. gear	R	- 6 km/h	2. gear	R	- 14 km/h																										
3. gear	R	- 34 km/h																													
Steering	Hydraulical articulated steering acting over priority valve articulation: 37° left & right																														
Axles / brakes	Front axle hydraulically shock absorbed, rear axle fix, maintenance-free-oil-bath multi-disc brake in the wheel hubs with self-locking differential with a locking value of 45 %, hydraulically applied spring-type cylinder locking brake acting over articulated shaft on front and rear axle.																														
Engine	Cummins QSB 4.5L 6 cylinder water-cooled diesel 119 kW (160 hp) @ 2200 rpm																														
Tyres	Standard 20.5 R 25 double coin																														
Bonnet	Easy access to all maintenance and service points thanks to wide opening sectioned bonnet																														
Tank capacity	Fuel 190 L Hydraulic oil 81 L																														
Electrics	24 V electric system with main switch, fault finding modus, fuel and hour counter, control lamps for engine oil, parking brake, driving direction display, battery charging control, hydraulic filter, display for drive position																														
Standard equipment	Comfortable driver's cab with air-suspended driver's seat, swivelling operator's stand, lighting system according to German traffic regulations, bucket from abrasion proof fine grain steel, flashing yellow light, cigarette lighter, roller blind for front windscreen, device for radio, loudspeaker and antenna EC declaration of conformity																														